

# LT15A

**Spare parts**

**Ersatzteile**

**Pièces détachées**

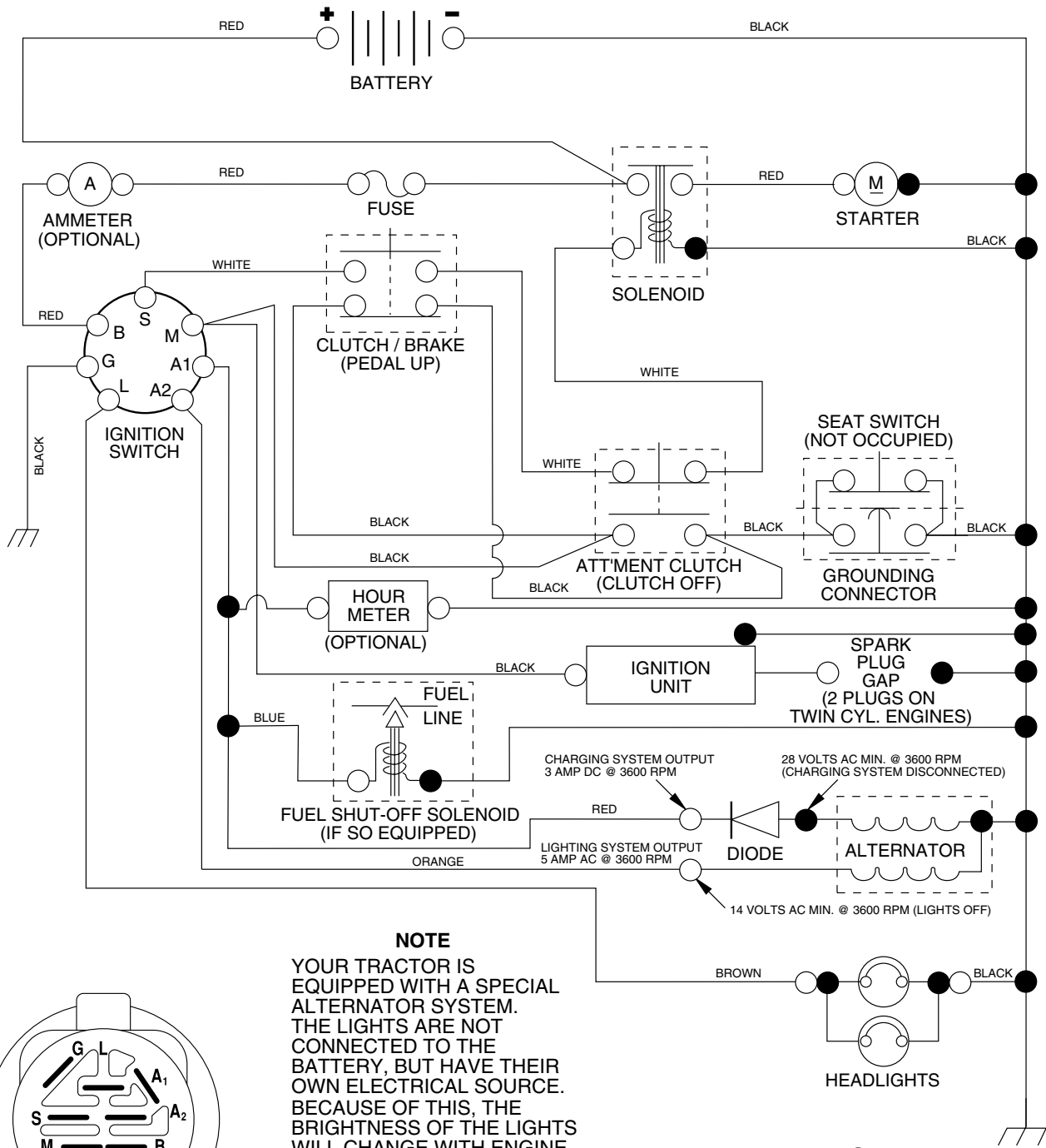
**Reserve onderdelen**

**Repuestos**

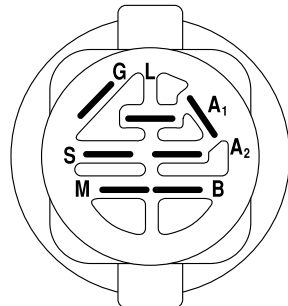
**Reservdelar**

# TRACTOR - MODEL NO. LT15A (J15H42K), PRODUCT NO. 954 13 00-37

## SCHEMATIC



**NOTE**  
 YOUR TRACTOR IS EQUIPPED WITH A SPECIAL ALTERNATOR SYSTEM. THE LIGHTS ARE NOT CONNECTED TO THE BATTERY, BUT HAVE THEIR OWN ELECTRICAL SOURCE. BECAUSE OF THIS, THE BRIGHTNESS OF THE LIGHTS WILL CHANGE WITH ENGINE SPEED. AT IDLE THE LIGHTS WILL DIM. AS THE ENGINE IS SPEEDED UP, THE LIGHTS WILL BECOME THEIR BRIGHTEST.



**IGNITION SWITCH**

POSITION	CIRCUIT	"MAKE"
OFF	M+G+A1	NONE
RUN/LIGHT	B+A1	A2+L
RUN	B+A1	NONE
START	B + S + A1	NONE

**WIRING INSULATED CLIPS**

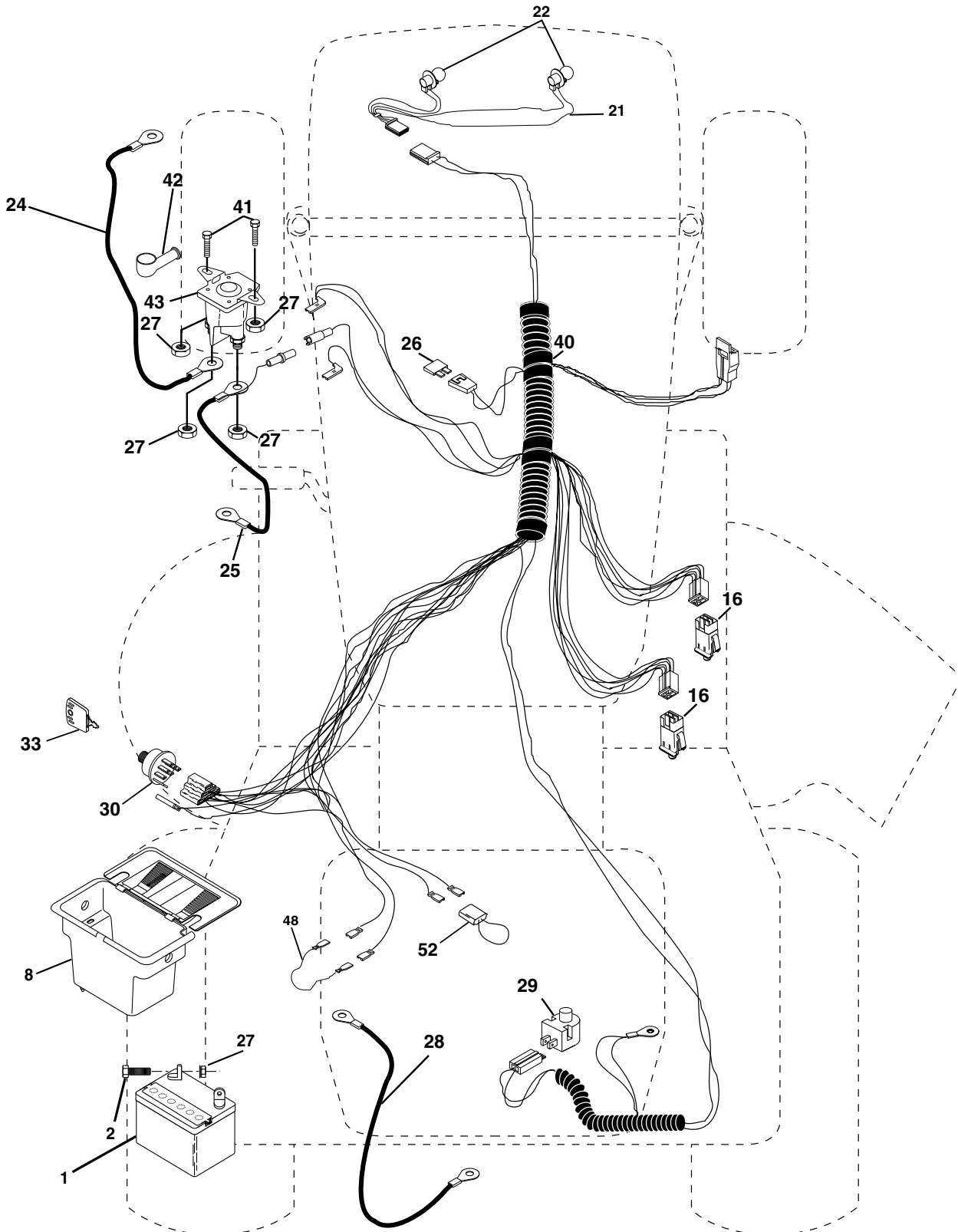
**NOTE:** IF WIRING INSULATED CLIPS WERE REMOVED FOR SERVICING OF UNIT, THEY SHOULD BE REPLACED TO PROPERLY SECURE YOUR WIRING.

NON-REMOVABLE CONNECTIONS

REMOVABLE CONNECTIONS

# REPAIR PARTS

TRACTOR - MODEL NO. LT15A (J15H42K), PRODUCT NO. 954 13 00-37  
ELECTRICAL



# REPAIR PARTS

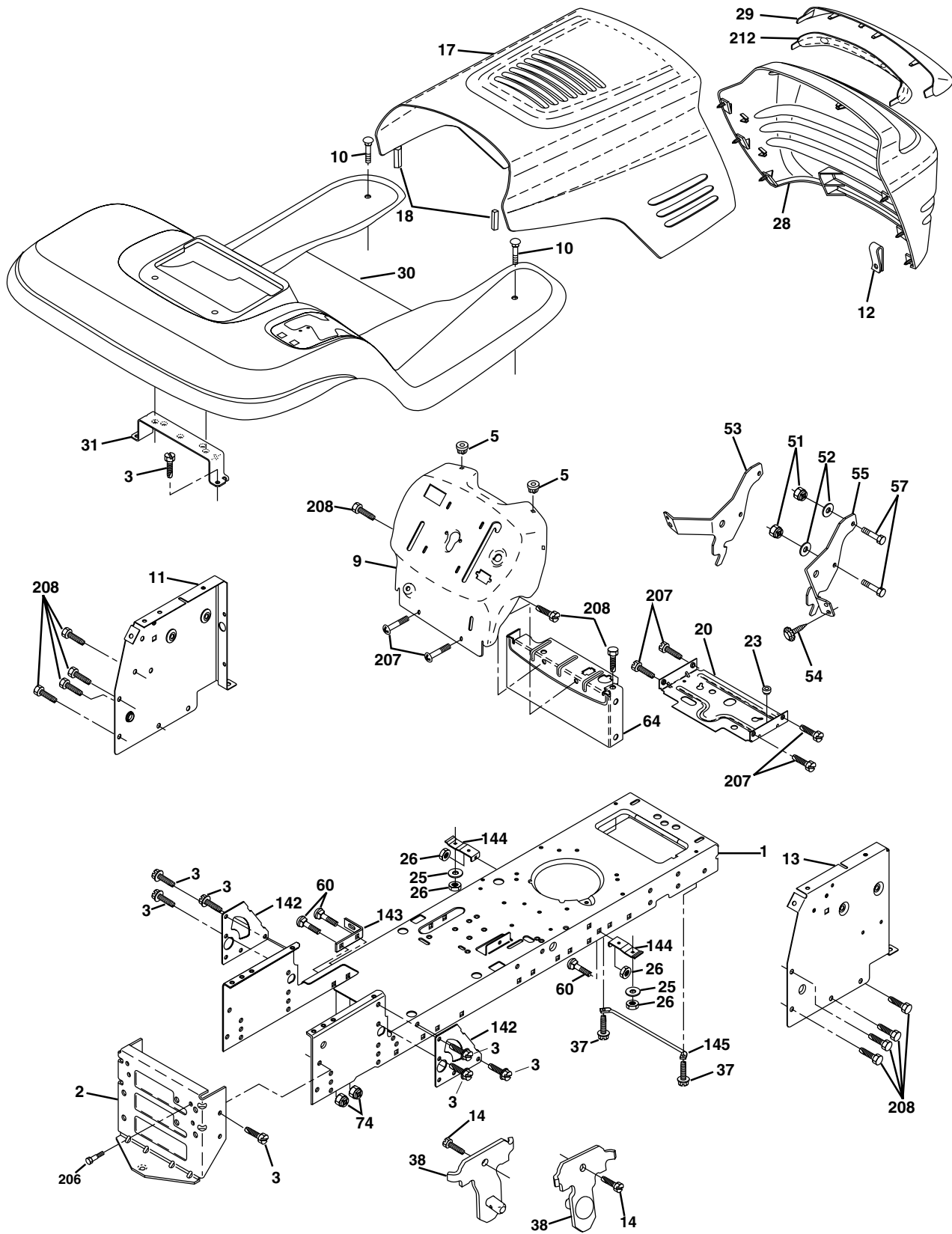
TRACTOR - MODEL NO. LT15A (J15H42K), PRODUCT NO. 954 13 00-37  
ELECTRICAL

KEY NO.	PART NO.	DESCRIPTION
1	532144925	Battery 12 Volt 25 AMP
2	874760412	Bolt Hex Hd 1/4-20unc X 3/4
8	532156417	Case Battery Mech Hinge
16	532153664	Switch Interlock Push-In
21	<b>532175688</b>	Harness Asm Light W/4152j
22	532004152	Bulb Light #1156
24	532124780	Cable Battery 6 Ga 11" red
25	532146147	Cable Battery 6 Ga 44" red w/16 wire
26	532175158	Fuse
27	873510400	Nut Keps Hex 1/4-20 Unc
28	532124773	Cable Ground 6 Ga 12" black
29	532121305	Switch Plunger Nc Gray
30	532175566	Switch Ign
33	532140401	Key Ign Molded Generic
40	<b>532178437</b>	Harness Ign.
41	871110408	Bolt Blk Fin Hex 1/4 - 20 x 1/2
42	532131563	Cover Terminal Red
43	<b>532178861</b>	Solenoid
48	532140844	Adapter Ammeter Rectangular
52	532141940	Protection Wire Loop

**NOTE:** All component dimensions given in U.S. inches.  
1 inch = 25.4 mm.

# REPAIR PARTS

TRACTOR - MODEL NO. LT15A (J15H42K), PRODUCT NO. 954 13 00-37  
CHASSIS AND ENCLOSURES



# REPAIR PARTS

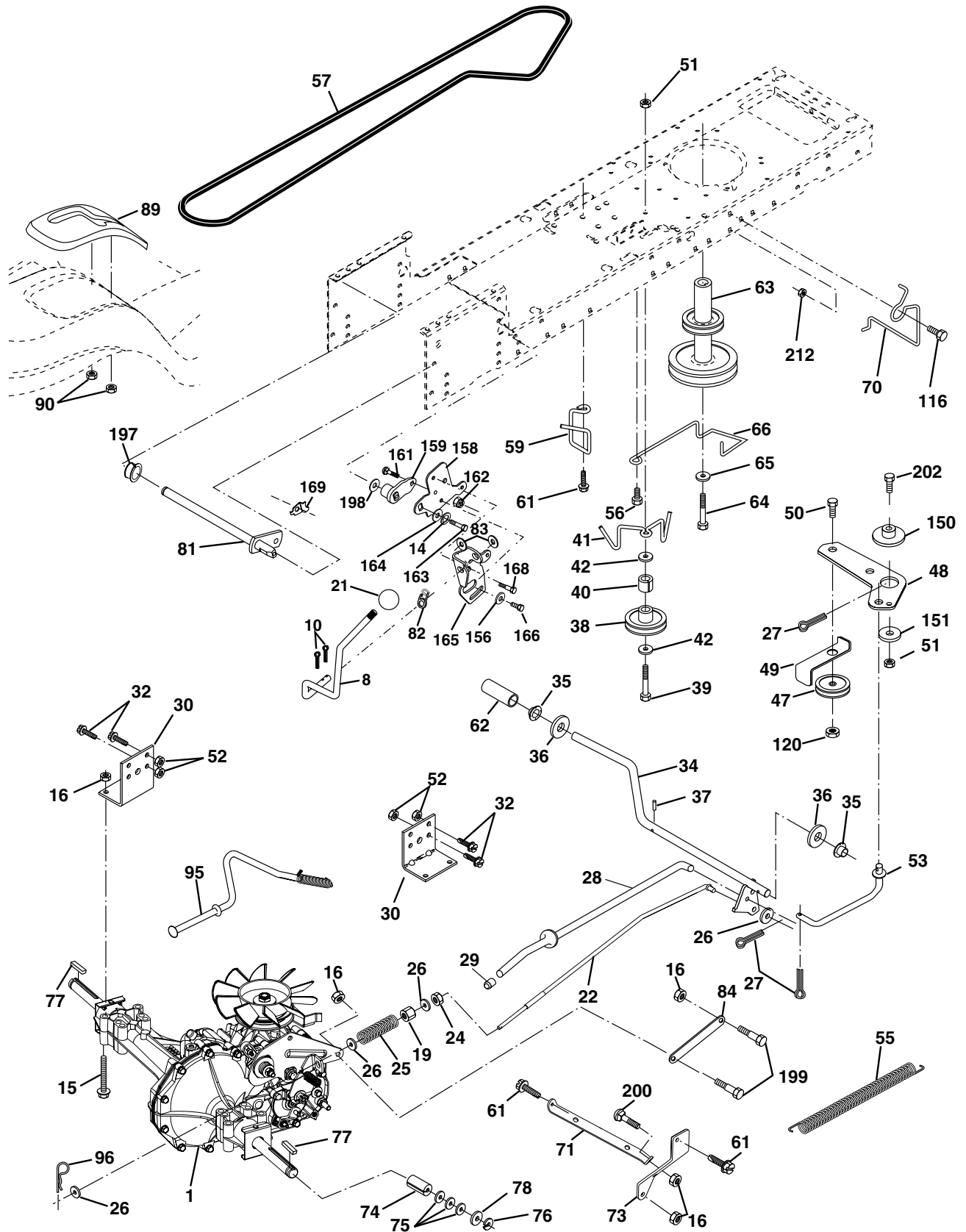
## TRACTOR - MODEL NO. LT15A (J15H42K), PRODUCT NO. 954 13 00-37 CHASSIS AND ENCLOSURES

KEY NO.	PART NO.	DESCRIPTION
1	532174619	Chassis
2	532176554	Drawbar
3	817060612	Screw 3/8-16x3/4
5	532155272	Bumper Hood/Dash
9	532172151	Dash P/L
10	872140608	Bolt Carriage 3/8-16 x 1
11	532155927	Panel Dash Lh
12	532145660	Clip Tinnerman Grille P/L
13	532172108	Panel Dash Rh
14	817490608	Screw Thdrol 3/8-16 x 1/2
17	532150760	Hood LT/PL with Louvers
18	532126938	Bumper Hood
20	532156437	Plate Mtg Battery Fuel Tank Fr
23	532124028	Bushing
25	819131312	Washer 13/32 X 13/16 X 12 Ga
26	873800600	Nut Lock Hex W/Ins 3/8-16 Unc
28	<b>532179351</b>	Grille/Lens Asm
29	532166603	Lens LT/PL Grille Shark Plain
30	532172157	Fender Footrest
31	532139976	Bracket Support Fender
37	817490508	Screw Thdrol 6/16-18 x 1/2 TYT
38	<b>532175710</b>	Bracket Asm Pivot Mower Rear
51	873800400	Nut Lock Hex W/Ins 1/4-20
52	819091416	Washer 9/32 x 7/8 x 16 Ga.
53	532145201	Bracket Pnt. Pickoff LH
54	532161464	Screw Hex Wshd 8-18 x 7/8
55	532145202	Bracket Grille Pickoff RH
57	874780412	Bolt Hex 1/4-20 x 3/4
60	872140606	Bolt Rdhd Sqnk 3/8-16unc x 3/4
64	532154798	Dash Lower STLT
74	873680600	Nut Crownlock 3/8-16 UNC
142	<b>532175702</b>	Plate Reinforcement STLT
143	532154966	Bracket Swaybar Chassis
144	<b>532175582</b>	Bracket Pnt Footrest STLT
145	532156524	Rod Pivot Chassis/Hood
206	532170165	Bolt Shoulder 5/16-18 TT
207	817670508	Screw Thdrol 5/16-18 x 1/2 TY TT
208	817670608	Screw Thdrol 3/8-16 x 1/2 TY TT
212	532165919	Insert Lens Reflective
--	532005479	Plug Button

**NOTE:** All component dimensions given in U.S. inches  
1 inch = 25.4 mm

# REPAIR PARTS

TRACTOR - MODEL NO. LT15A (J15H42K), PRODUCT NO. 954 13 00-37  
DRIVE



# REPAIR PARTS

TRACTOR - MODEL NO. LT15A (J15H42K), PRODUCT NO. 954 13 00-37

## DRIVE

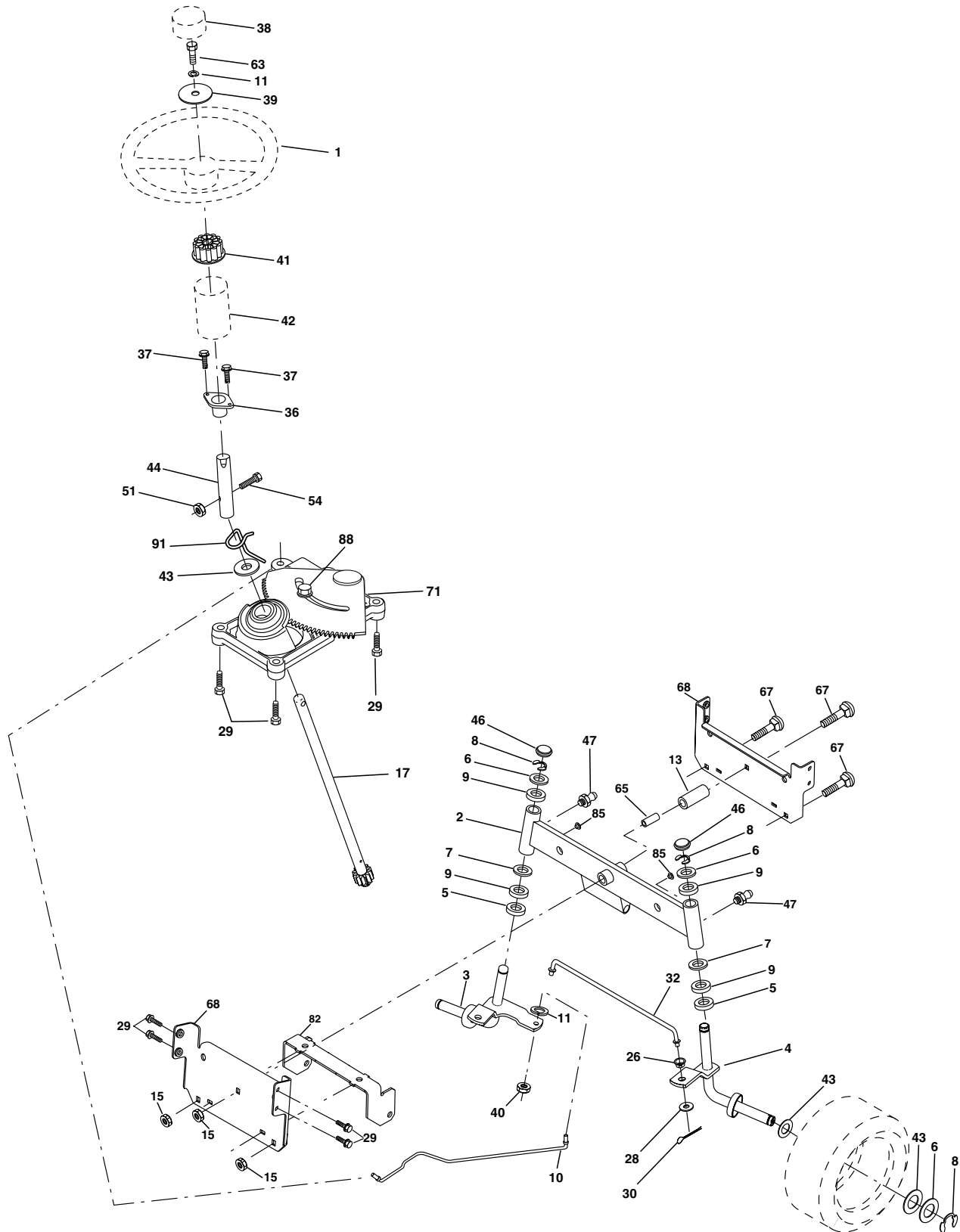
KEY NO.	PART NO.	DESCRIPTION	KEY NO.	PART NO.	DESCRIPTION
1	-----	Transaxle Hydro Gear 314-0510 Order parts from transaxle manufacturer	65	810040700	Washer
8	532165866	Rod Shift Fender Adjust Lt	66	532154778	Keeper Belt Engine
10	876020416	Pin Cotter 1/8 x 1 CAD	70	532134683	Keeper Belt Engine
14	810040400	Washer Lock Hvy Helical	71	532169183	Strap Torque Lh Hydro
15	874490544	Bolt Fin Hex 5/16-18 x Gr. 5	73	532169182	Strap Torque Rh Hydro
16	873800500	Nut Lock Hex W/Ins 5/16-18	74	532137057	Spacer, Axle
19	873800600	Nut Lock Hex W/Wsh 3/8-16 Unc	75	532121749	Washer 25/32 x 1-1/4 x 16 Gauge
21	532130564	Knob 1/2-13	76	812000001	E-Ring
22	532169498	Rod, Brake Hydro	77	532123583	Key, Square
24	873350600	Nut	78	532121748	Washer 25/32 x 1-5/8 x 16 Gauge
25	532106888	Spring, Brake Rod	81	532165596	Shaft Asm. Cross Tapered
26	819131316	Washer	82	532165711	Spring Torsion T/A
27	876020412	Pin Cotter 1/8 x 3/4 CAD.	83	819171216	Washer 17/32 x 3/4 x 16 Ga.
28	532175765	Rod, Parking Brake	84	532169594	Link Transaxle
29	532071673	Cap, Parking Brake	89	532166602	Console, Shift
30	532169592	Bracket, Transaxle	90	532124346	Nut Self-thd Wsh-hd 1/4 Zinc
32	874760512	Bolt Hex Hd 5/16-18 Unc x 3/4	95	532170201	Control Asm Bypass Hydro
34	532175578	Shaft, Foot Pedal	96	532124788	Retainer Spring 1" Zinc/Cad
35	532120183	Bearing, Nylon	116	872140608	Bolt Rdhd Sq Neck 3/8-16 x 1
36	819211616	Washer	120	873900600	Nut Lock Flg 3/8-16
37	532124963	Pin, Roll	150	532175456	Spacer Retainer
38	532165936	Pulley, Composite, Flat	151	819133210	Washer 13/32 x 2 10 Ga.
39	874760648	Bolt	156	532166002	Washer Srrted 5/16 ID x 1.125
40	532175461	Spacer, Split	158	532165589	Bracket Shift Mount
41	532175556	Keeper, Belt Idler	159	532165494	Hub Tapered Flange Shift Lt
42	819131312	Washer 13/32 x 13/16 x 12 Gauge	161	872140406	Bolt Rdhd Sqnk 1/4-20 x 3/4 Gr 5
47	532127783	Pulley, Idler, V-Groove	162	873680400	Nut Crownlock 1/4-20 Unc
48	532154407	Bellcrank Clutch Grnd Drv STL	163	874780416	Bolt Hex Fin 1/4-20 Unc x 1 Gr 5
49	532123205	Retainer, Belt	164	819091010	Washer 5/8 x .281 x 10 Ga
50	874760624	Bolt	165	532165623	Bracket Pivot Lever
51	873680600	Nut	166	532166880	Screw 5/16-18 x 5/8
52	873680500	Nut Crownlock 5/16-18 UNC	168	532165492	Bolt Shoulder 5/16-18 x .561
53	532105710	Link, Clutch	169	532165580	Plate Fastening Lt
55	532105709	Spring, Return, Clutch	197	532169613	Nyliner Snap-In 5/8" ID
56	817060616	Screw 3/8-16 x 1	198	532169593	Washer Nyl 7/8 ID x .105" Hyd
57	532140294	V-Belt, Ground Drive	199	532169612	Bolt Shoulder 5/16-18 Unc
59	532169691	Keeper, Center Span	200	872140508	Bolt Rdhd Sqnk 5/16-18 Unc x 1
61	817060612	Screw 3/8-16 x 3/4	202	872110614	Bolt Carr Sh 3/8-16 x 1-3/4
62	532124872	Cover, Pedal	212	532145212	Nut Hex Flg Lock
63	532175410	Pulley, Engine			
64	871170764	Bolt, Hex			

**NOTE:** All component dimensions given in U.S. inches  
1 inch = 25.4 mm



# REPAIR PARTS

TRACTOR - MODEL NO. LT15A (J15H42K), PRODUCT NO. 954 13 00-37  
STEERING ASSEMBLY



# REPAIR PARTS

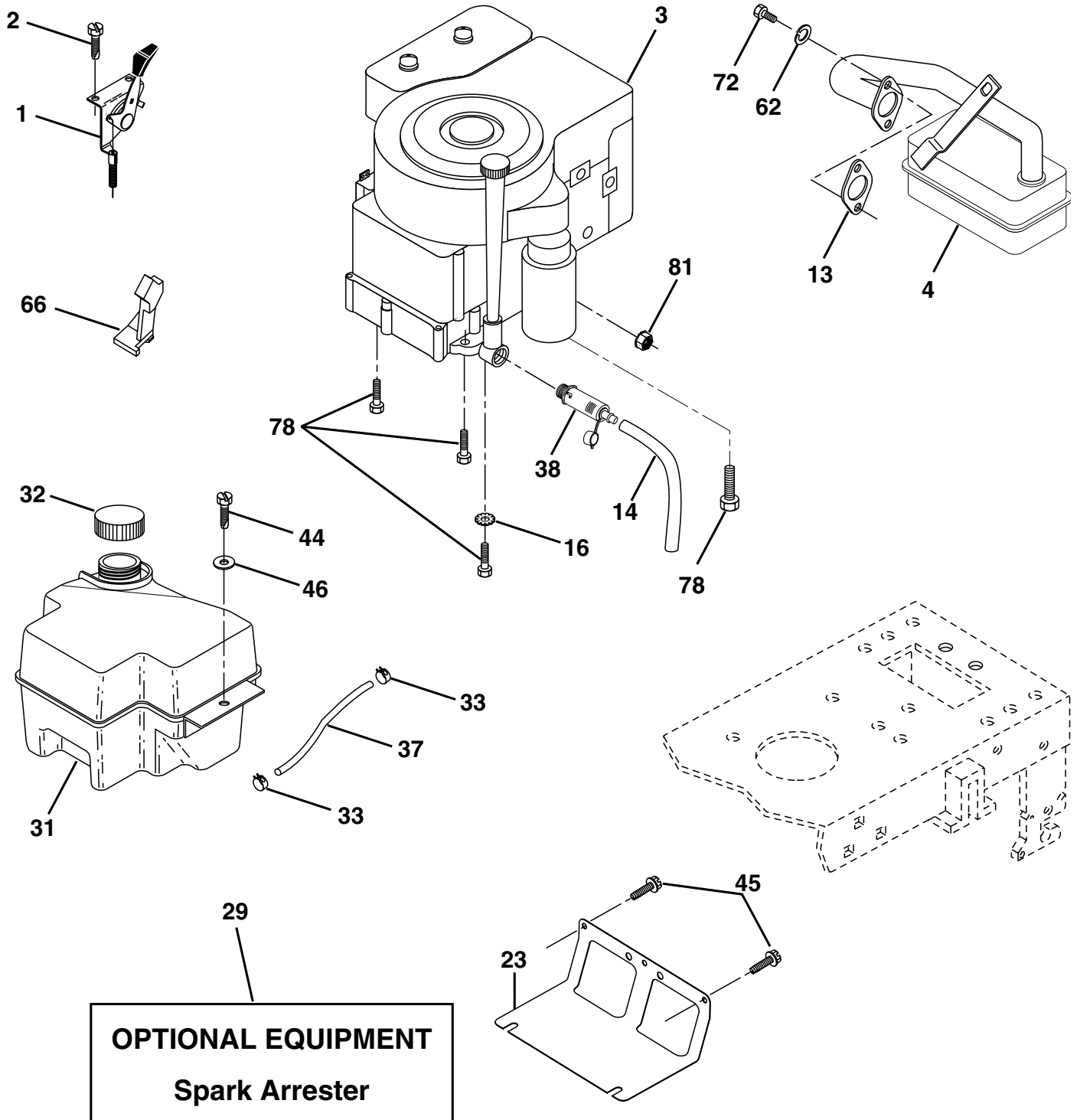
## TRACTOR - MODEL NO. LT15A (J15H42K), PRODUCT NO. 954 13 00-37 STEERING ASSEMBLY

KEY NO.	PART NO.	DESCRIPTION
1	532172092	Wheel Steering
2	532154427	Axle Asm STMP Dropped STL
3	532169840	Spindle Asm LH
4	532169839	Spindle Asm RH
5	532124931	Bearing Race Thrust Harden
6	532121748	Washer 25/32 X 1-5/8 X 16 Ga
7	819272016	Washer 27/32 X 1-1/4 X 16 Ga
8	812000029	Ring Klip #t5304-75
9	532124937	Bearing Col Strg Blk
10	532175121	Link Drag
11	810040600	Washer Lock Hvy Hlcl Spr 3/8
13	532136518	Spacer Brg Axle Front
15	532145212	Nut Hex Flange Lock
17	532177876	Shaft Asm Strg
26	532126847	Bushing Link Drag
28	819131416	Washer 13/32 X 7/8 X 16ga.
29	817060612	Screw 3/8-16x3/4
30	876020412	Pin Cotter 1/8 X 3/4 Cad.
32	532130465	Rod Tie
36	532155099	Bushing Strg
37	532152927	Screw
38	532172093	Insert Cap Strg Wh
39	819132411	Washer 13/32 X 1-1/20 x 11 Ga
40	532124701	Lock nut
41	532159945	Adaptor Wheel Strg
42	532169633	Boot Steering Shaft
43	532121749	Washer 25/32 X 1 1/4 X 16 Ga
44	532153720	Extension Steering Shaft LR/LT
46	532121232	Cap Spindle Fr Top Blk
47	532124836	Fitting Grease
51	873800500	Nut Lock Hex w/Ins 5/16-18
54	874780520	Bolt Fin Hex 5/16-18 Unc x 1-1/4
63	874780616	Bolt Fin Hex 3/8-16unc x 1 Gr. 5
65	532160367	Spacer Brace Axle
67	872140618	Bolt Rdhd Sq 3/8-16 x 2-1/4
68	532169827	Axle, Brace
71	532175146	Steering Asm
82	532169835	Bracket Susp Chassis Front
85	532133835	Fastner Christmas Tree
88	532175118	Bolt Shoulder 7/16-20
91	532175553	Clip Steering

**NOTE:** All component dimensions given in U.S. inches.  
1 inch = 25.4 mm.

# REPAIR PARTS

TRACTOR - MODEL NO. LT15A (J15H42K), PRODUCT NO. 954 13 00-37  
ENGINE



# REPAIR PARTS

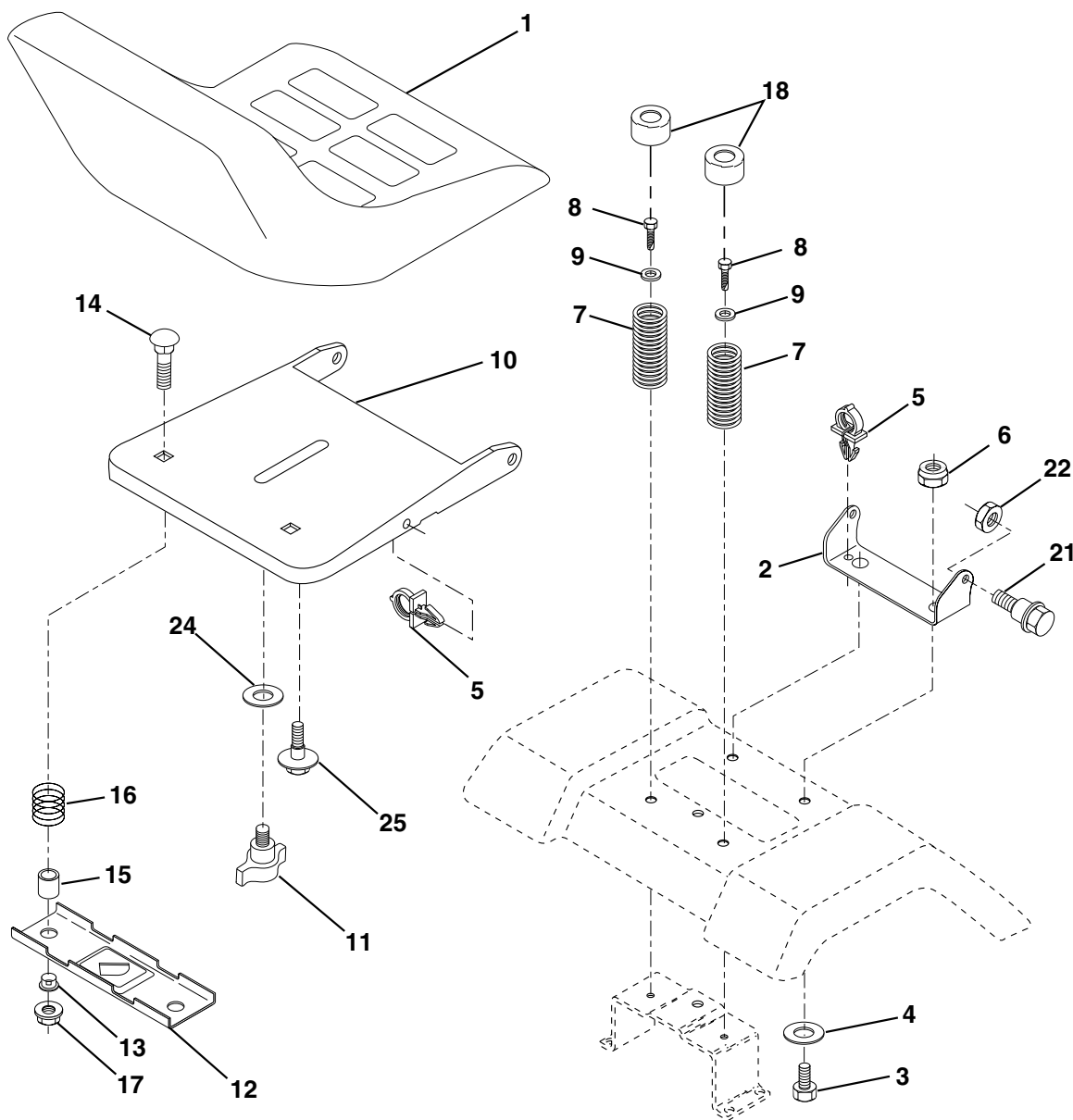
TRACTOR - MODEL NO. LT15A (J15H42K), PRODUCT NO. 954 13 00-37  
ENGINE

KEY NO.	PART NO.	DESCRIPTION
1	532170865	Control Th/ch B&S EEC Flag
2	817720410	Screw Hex Thd Cut 1/4-20 x 5/8 T
3	-----	Engine B&S Model No. 287707 Order parts from engine manufacturer
4	532137352	Muffler LT B&S
13	532165291	Gasket
14	532148456	Tube Drain Oil Easy
16	811050600	Washer Lock Ext Tooth 3/8
23	532169837	Shield Brn/Dbr Guard
29	532137180	Kit Spark Arrestor (Flat Scrn)
31	532174642	Tank Fuel Front 2 00
32	532140527	Cap Asm Fuel W/sym Vented
33	532123487	Clamp Hose Black
37	532137040	Line Fuel 20"
38	532148315	Plug Drain Oil Easy
40	532124028	Bushing Snap Nyl Blk Fuel Line
44	817670412	Screw Hexwsh Thdrol 1/4-20x3/4
45	817000612	Screw Hexwsh 3/8-16 x 3/4
46	819091416	Washer 9/32 X 7/8 X 16 Ga
62	810040500	Washer Lock Hvy Hlcl Spr 5/16
66	532127951	Stop Throttle 3000 RPM
72	871070512	Screw Hexhd Cap 5/16-18x 3/4
78	817060620	Screw 3/8-16 x1-1/4
81	873510400	Nut Keps Hex 1/4-20 nc

**NOTE:** All component dimensions given in U.S. inches  
1 inch = 25.4 mm

# REPAIR PARTS

TRACTOR - MODEL NO. LT15A (J15H42K), PRODUCT NO. 954 13 00-37  
SEAT ASSEMBLY



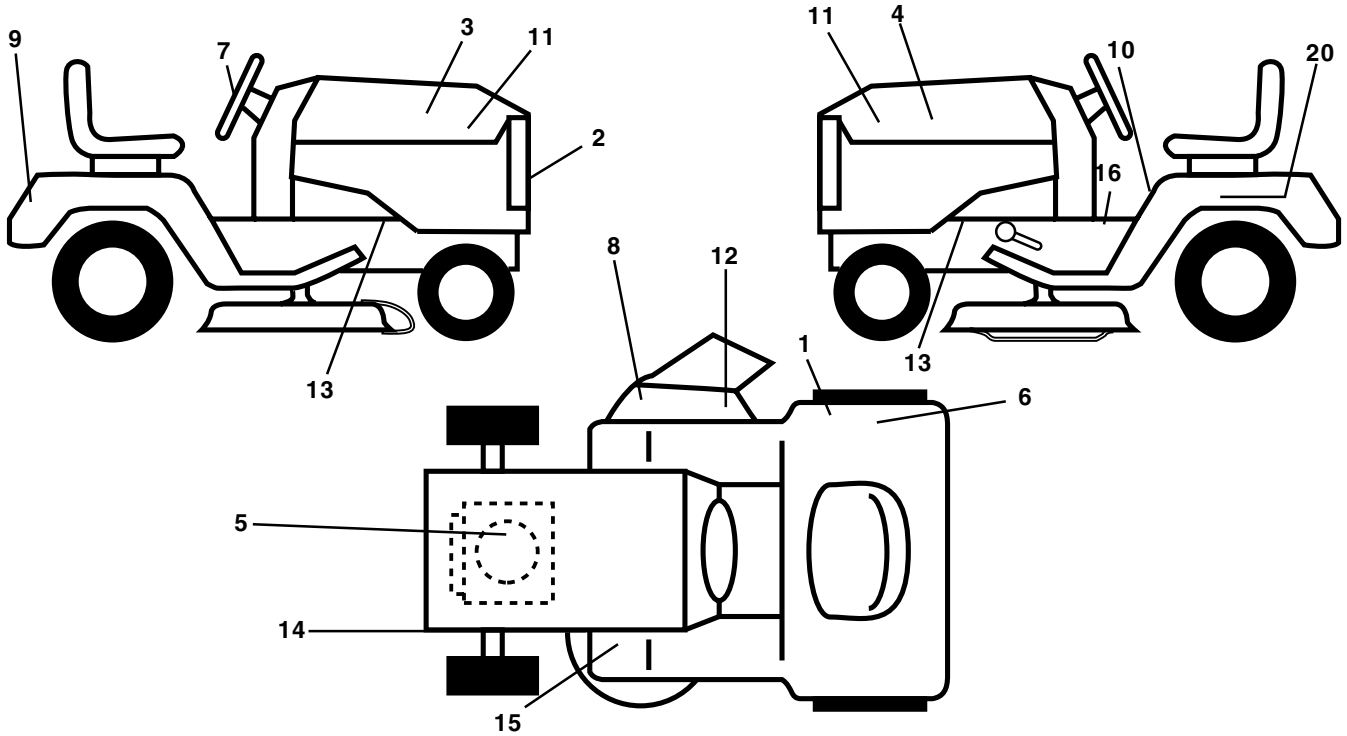
KEY NO.	PART NO.	DESCRIPTION
1	532140117	Seat
2	532140551	Bracket Pivot Seat 8 720
3	871110616	Bolt Fin Hex 3/8-16unc X 1
4	819131610	Washer 13/32 X 1 X 10 Ga
5	532145006	Clip Push-In
6	873800600	Nut Hex w/Ins. 3/8-16 Unc
7	532124181	Spring Seat Cprsn 2 250 Blk Zi
8	817000616	Screw 3/8-16 X 1-1/2
9	819131614	Washer 13/32 X 1 X 14 Ga.
10	532174894	Pan Seat
11	532166369	Knob Seat
12	532121246	Bracket Mounting Switch

KEY NO.	PART NO.	DESCRIPTION
13	532121248	Bushing Snap Blk Nyl 50 Id
14	872050412	Bolt Rdhd Sqkn 1/4-20x1-1/2
15	532134300	Spacer Split 28x96 Yel Zinc
16	532121250	Spring Cprsn 1 327 Blk Pnt
17	532123976	Nut Lock 1/4 Lge Flg Gr 5 Zinc
18	532124238	Cap Spring Seat
21	532171852	Bolt Shoulder 5/16-18 Unc
22	873800500	Nut Hex Lock W/Ins 5/16-18
24	819171912	Washer 17/32 X 1-3/16 X 12 Ga.
25	532127018	Bolt Shoulder 5/16-18 X 62

**NOTE:** All component dimensions given in U.S. inches.  
1 inch = 25.4 mm

# REPAIR PARTS

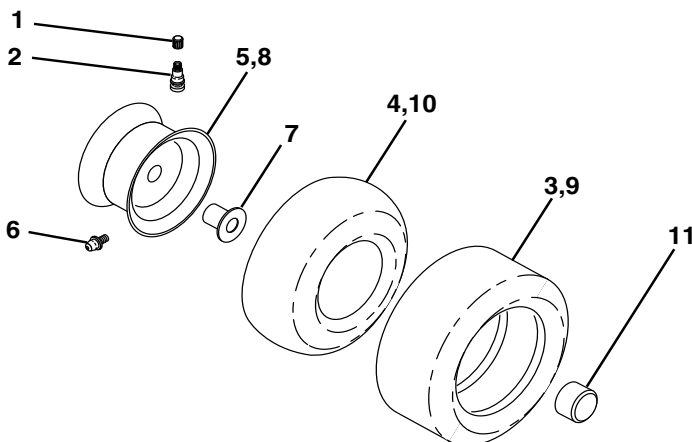
TRACTOR - MODEL NO. LT15A (J15H42K), PRODUCT NO. 954 13 00-37  
DECALS



KEY NO.	PART NO.	DESCRIPTION
1	532126187	Decal 100 DBA
2	532152262	Decal Grille Jonsered Sweden
3	532170704	Decal Hood RH
4	532170705	Decal Hood LH
5	532170846	Decal HP Engine
6	532145437	Decal Europe Stand CE
7	532170565	Decal, Ins. Strg Whl. Jons.
8	532145494	Decal Mower Cutfinger
9	532141761	Decal Fender Jonsered
10	532145498	Decal Read Owner's Manual Syms.
11	532162927	Decal Hood Insert
12	<b>532179128</b>	Decal Deck "B" "42"

KEY NO.	PART NO.	DESCRIPTION
13	532159736	Decal Chassis Hot Muffler
14	532160396	Decal V-Belt Schematic
15	532159737	Decal Brake/Clutch Symbol Lt
16	532140837	Decal Saddle Brake Parking
20	532145005	Decal Bat Dan/Psn
--	532171284	Pad Footrest LH STLT
--	532171285	Pad Footrest RH STLT
--	532138311	Decal Handle Lift Height Adjust
--	532169210	Decal By Pass Lt Hydro
--	532162598	Decal Drawbar Load Limit
--	532176853	Manual Operator's (Euro.)
--	532176854	Manual Operator's (Scan.)

## WHEELS & TIRES

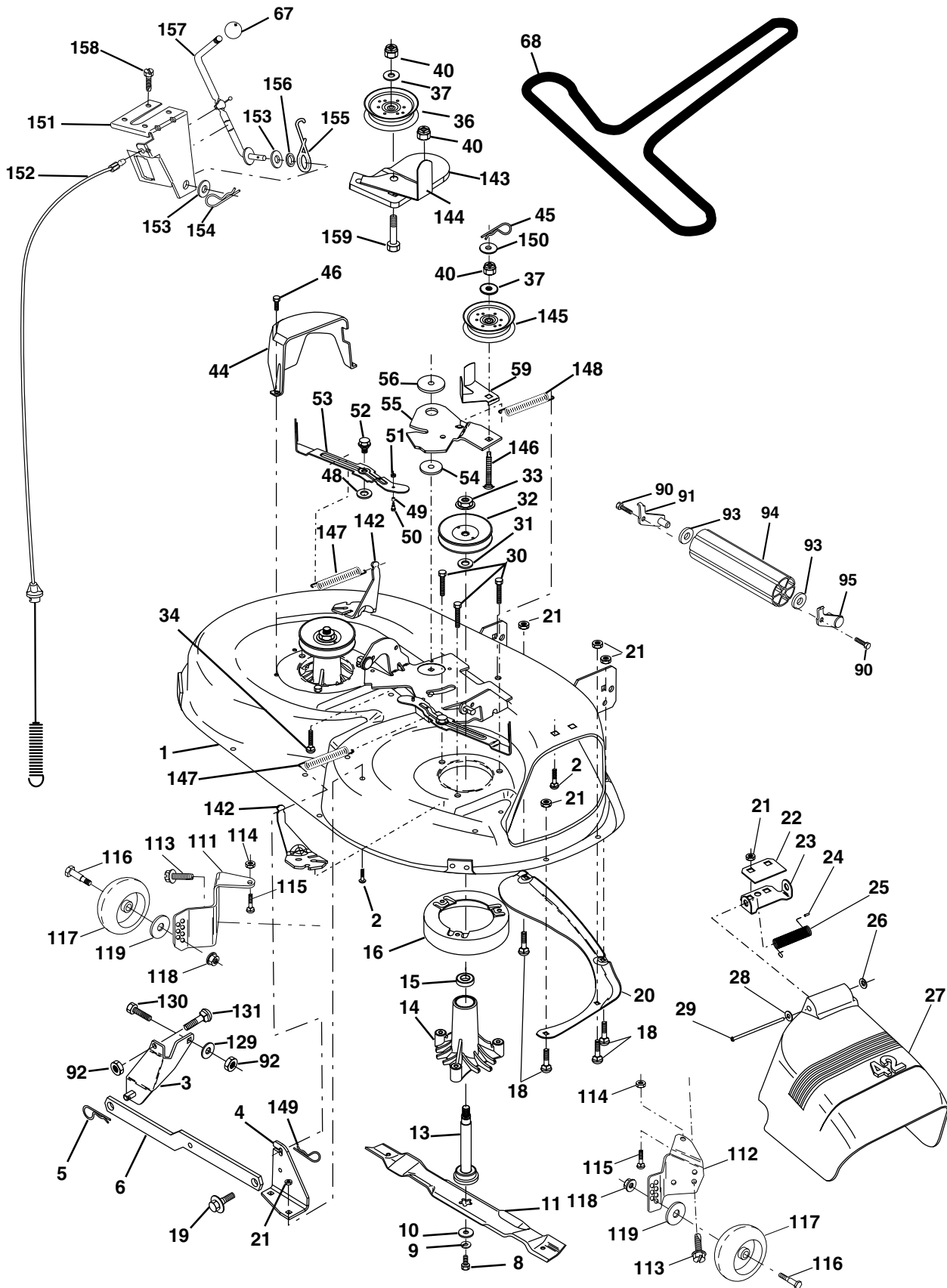


KEY NO.	PART NO.	DESCRIPTION
1	532059192	Cap Valve Tire
2	532065139	Stem Valve
3	532106222	Tire F Ts 15 X 6 0 - 6 Service
4	532059904	Tube Front (Service Item Only)
5	532138336	Rim Asm 6"front Silver Service
6	532124957	Fitting Grease (Front Wheel Only)
7	532124959	Bearing Flange (Front Wheel Only)
8	532138337	Rim Asm 8"rear Silver Service
9	532122082	Tire R Ts 20x10-8 C Service
10	532124926	Tube Rear (Service Item Only)
11	532175039	Cap Axle Blk 1 50 X 1 00
--	532144334	Sealant, Tire ( 10 oz. Tube)

**NOTE:** All component dimensions given in U.S. inches  
1 inch = 25.4 mm

# REPAIR PARTS

TRACTOR - MODEL NO. LT15A (J15H42K), PRODUCT NO. 954 13 00-37  
MOWER DECK



# REPAIR PARTS

TRACTOR - MODEL NO. LT15A (J15H42K), PRODUCT NO. 954 13 00-37  
MOWER DECK

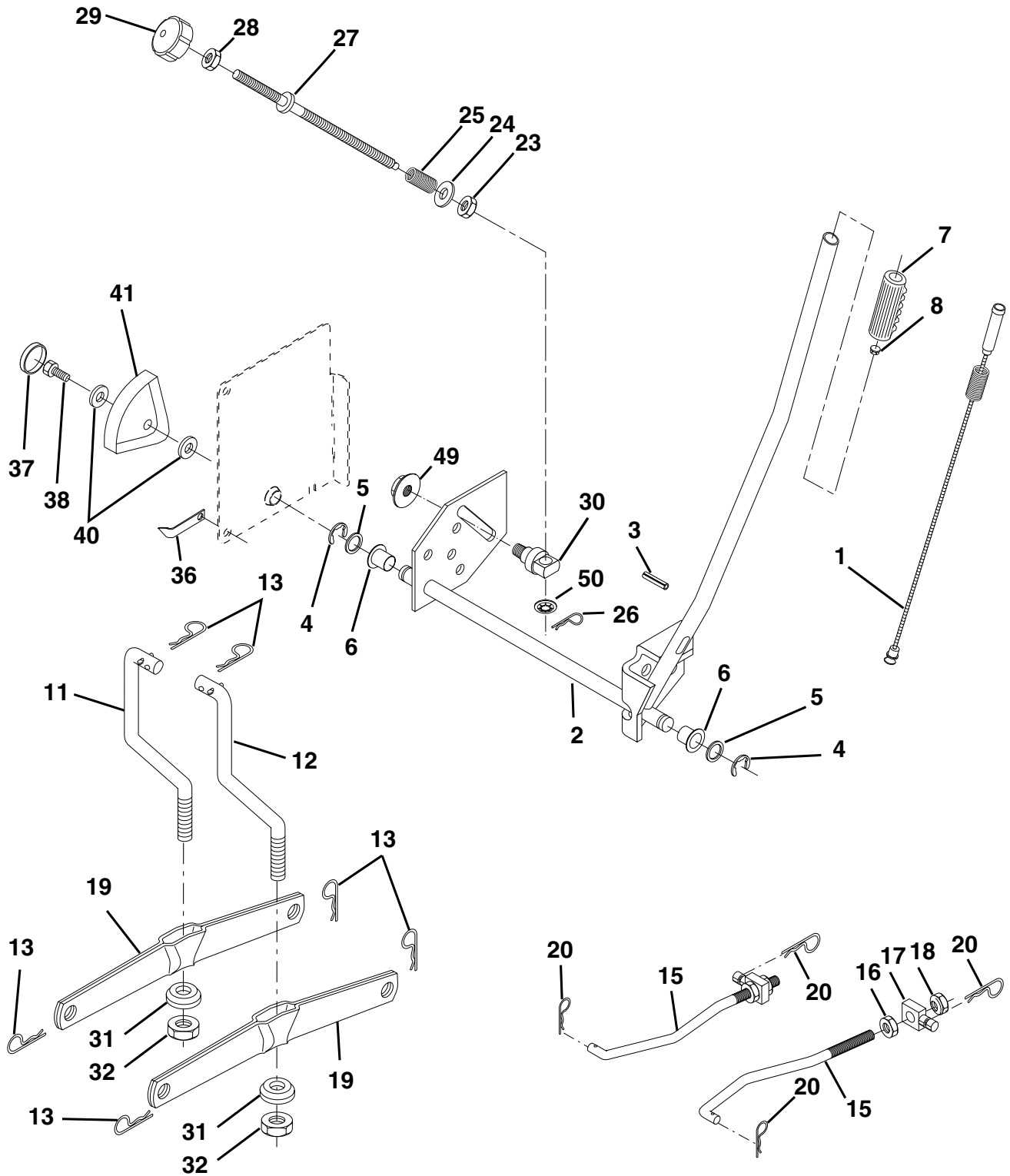
KEY NO.	PART NO.	DESCRIPTION	KEY NO.	PART NO.	DESCRIPTION
1	532165892	Housing Asm Mower	59	532141043	Guard, Belt
2	872140506	Bolt Rdhd Sqnk 5/16-18unc X3/4	67	532106932	Knob Rd 3/8-16 Plstc Thds Blk
3	532138017	Bracket Asm Fr Sway Bar 38/42	68	532144959	V-Belt Mower
4	532165460	Bracket Asm Deck 42"sway Bar	90	<b>817060612</b>	Screw 3/8-16 x .75
5	532124670	Retainer Spring	91	<b>532175746</b>	Bracket Asm Noseroller LH
6	532130832	Arm Suspension Rear	92	873800600	Nut Lock Hex w/ins. 3/8-16 UNC
8	532850857	Bolt 3/8-24x1 25 Gr8 Patched	93	819171416	Washer 17/32 X 7/8 X 16 Ga
9	810030600	Washer Lock Hvy 3/8 Unplated	94	532132264	Roller Nose 38 & 42
10	532140296	Washer Hard Blade Mower Vented	95	<b>532175747</b>	Bracket Asm Noseroller RH
11	532138498	Blade Mower High Lift"	111	<b>532179292</b>	Bracket Gauge Wheel Lh
13	532137645	Shaft Asm W/lower Bearing	112	<b>532179293</b>	Bracket Gauge Wheel Rh
14	532128774	Housing Mandrel Vented(machd)	113	<b>817060508</b>	Screw Tapping 5/16-18 Unc
15	532110485	Bearing Ball Mandrel	114	873510500	Nut Keps 5/16-18 UNC
16	<b>532174493</b>	Stripper Round Mower	115	<b>872110505</b>	Bolt Carriage 5/16-18unc x 1/2
18	872140505	Bolt Carr 5/16-18 X 5/8	116	532124842	Bolt Shoulder
19	532132827	Bolt Shoulder	117	532165746	Wheel Gauge
20	532159770	Baffle Vortex	118	873930600	Nut Centerlock 3/8-16 UNC
21	873680500	Nut Crown Lock 5/16-18	119	819121414	Washer 3/8 x 7/8 x 14 Ga.
22	532134753	Stiffener Bracket 42"deck	129	819131312	Washer 13/32 x 13/16 x 12 Ga.
23	532131267	Bracket Deflector Mower 42"	130	874780616	Bolt Fin Hex 3/8-16 UNC x 1 Gr. 5
24	532105304	Cap Sleeve 80x 112 Blk Mower	131	872140608	Bolt Rdhd Sqnk 3/8-16 x 1
25	532123713	Spring Torsion Deflector 2 52	142	532165890	Arm Spring Brake Mower
26	532110452	Nut Push Phos & Oil	143	532157109	Bracket Arm Idler 42"
27	532171859	Shield Deflector	144	532158634	Keeper Belt 42" Clutch Cable
28	819111016	Washer 11/32 X 5/8 X 16 Ga	145	532165888	Pulley Idler Flat
29	532131491	Rod Hinge 42"6 75 Wlg	146	532171977	Bolt Carriage Idler
30	532157722	Screw Thdrol Washer Head	147	532131335	Spring Extension
31	532129963	Washer Spacer Mower Vented	148	532169022	Spring Return Idler
32	532153535	Pulley Mandrel	149	532165898	Retainer Spring Yellow
33	<b>532178342</b>	Nut 9/16top Lock Flng Cntr	150	819091216	Washer 9/32 x 3/4 x 16 Ga.
34	872110614	Bolt RDHD 3/8-16 UNC x 2-3/4 Gr.5	151	532169670	Bracket Clutch Cable
36	532131494	Pulley Idler Flat 3 060	152	532169676	Clutch Cable 42"
37	819131316	Washer 13/32 X 13/16 X 16 Ga	153	532169674	Washer Flat 3/8" Type B
40	873680600	Nut Lock 3/8-16 Unc	154	532169675	Spring Retainer
44	532140088	Guard Mandrel LH Black	155	532169671	Spring Retention Lvr Cltch Cab
45	532124788	Spring Retainer 1" Zinc/cad	156	532169672	Spacer Clutch Cable
46	532137729	Screw Thdrol 1/4-20x5/8	157	532169669	Rod Clutch Cable 3/8"
48	532133944	Washer Hardened Samllr	158	817720410	Screw Hex Thd Cut 1/4-20 x 5/8
49	532174284	Roller Asm Cam Follower 42" dec	159	872140614	Bolt Rdhd Sqn 3/8-16 Unc x 1-3/4
50	532131340	Bolt Shldr 10-24 Zinc Gr 5 42"	--	532171491	Replacement Mower, Complete
51	532069180	Nut Lock #10-24 Unc	--	532130794	Mandrel Assembly (Includes Key Numbers 8-10, 13-15, 31 and 33)
52	532139888	Bolt Shoulder 5/16-18 Unc Blkz			
53	532131845	Arm Asm Pad Brake			
54	532133943	Washer Hardened			
55	532155046	Arm Idler 42"mower LT/YT			
56	532165723	Spacer Retainer Mower			

**NOTE:** All component dimensions given in U.S. inches  
1 inch = 25.4 mm



# REPAIR PARTS

TRACTOR - MODEL NO. LT15A (J15H42K), PRODUCT NO. 954 13 00-37  
MOWER LIFT



# REPAIR PARTS

TRACTOR - MODEL NO. LT15A (J15H42K), PRODUCT NO. 954 13 00-37  
MOWER LIFT

KEY NO.	PART NO.	DESCRIPTION
1	532159460	Wire Asm Inner W/plunger
2	532159471	Shaft Asm Lift RH
3	532105767	Pin Groove 1 500 Zinc
4	812000002	E Ring #5133-62
5	819211621	Washer 21/32 X 1 X 21 Ga
6	532120183	Bearing Nylon Blk 629 Id
7	532125631	Grip Handle Flute Blk.
8	532122365	Button Plunger
11	532139865	Link Lift LH Fixed Length
12	532139866	Link Lift RH Fixed Length
13	532124670	Retainer Spring
15	532173288	Link Front
16	873350800	Nut Jam Hex 1/2-13 Unc
17	<b>532175689</b>	Trunnion Blk Zinc
18	873800800	Nut Lock w/wsh 1/2-13 Unc
19	532139868	Arm Suspension Rear
20	532163552	Retainer Spring
23	532110807	Nut Special
24	819131016	Washer 13/32 X 5/8 X 16 Ga
25	532124874	Spring 2-1/8"
26	532169484	Retainer Clip
27	532126971	Rod Adj Lift Zinc 7.49 Wrk Lg
28	873350600	Nut Hex Jam 3/8-16 Unc
29	532138057	Knob Inf 3/8-16 Unc Blk W/sym
30	532150233	Trunnion Dp Stop Dbl Thds PLT
31	532169865	Bearing Pvt Lift
32	873540600	Nut Crownlock 3/8-24
36	532155097	Pointer Pnt Height ind .505
37	532123935	Plug Hole Blk 1.485/1.515 Dia.
38	817060516	Screw 5/16-18 x 1
40	819112410	Washer 11/32 x 1-1/2 10 Ga.
41	532155098	Scale Ind. Height Blk.
49	532145212	Nut Hex Flange Lock
50	532110452	Nut Push Phos & Oil

**NOTE:** All component dimensions given in U.S. inches  
1 inch = 25.4 mm