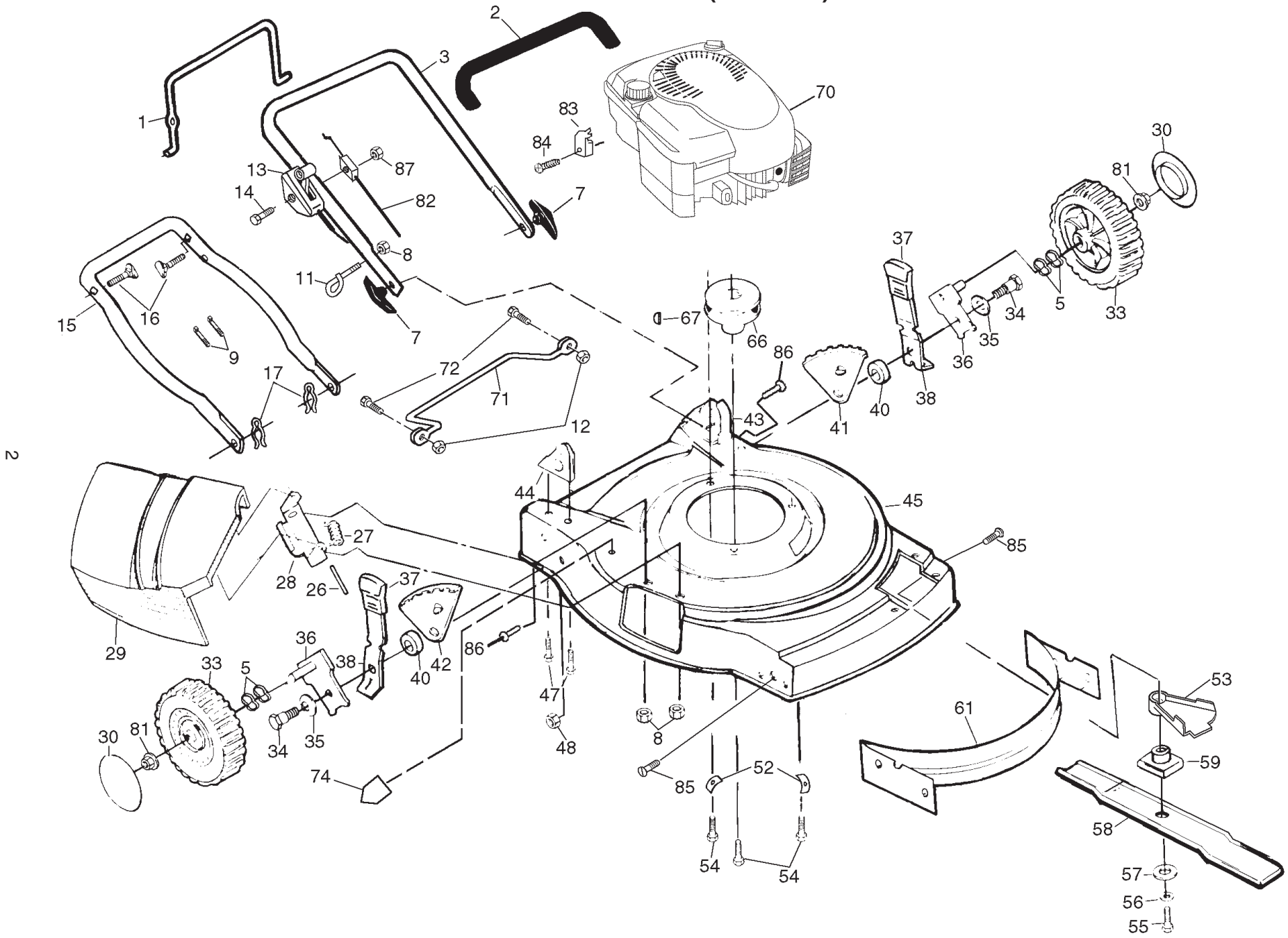


600 SD

Spare parts
Ersatzteile
Pièces détachées
Reserve onderdelen
Repuestos
Reservdelar

ROTARY LAWN MOWER - - MODEL NUMBER 600SD (J600SDF) PRODUCT NUMBER 954 13 00-50



2

ROTARY LAWN MOWER - - MODEL NUMBER 600SD (J600SDF) PRODUCT NUMBER 954 13 00-50

KEY NO.	PART NO.	DESCRIPTION
1	532 14 57-94	Control Bar
2	532 16 42-65	Handle Grip
3	532 16 71-63	Upper Handle
5	532 05 71-43	Wave Washer
7	532 13 63-76	Handle Knob
8	532 06 36-01	Locknut 1/4-20
9	532 06 64-26	Wire Tie
11	532 17 95-85	Rope Guide
12	532 06 91-80	Locknut 1/4-20
13	532 16 69-71	Throttle Control
14	532 14 49-29	Hex Washer Head Screw 1/4-20 x 2-1/8
15	532 15 36-05	Lower Handle
16	532 13 19-59	Handle Bolt 5/16-18 x 1-3/4
17	532 05 17-93	Hairpin Cotter
26	532 14 72-86	Hinge Rod
27	532 08 75-89	Torsion Spring
28	532 08 75-93	Housing Bracket Assembly
29	532 75 01-49	Discharge Guard
30	532 80 11-53	Hubcap
33	532 75 05-50	Wheel & Tire Assembly
34	532 14 27-48	Shoulder Bolt 3/8-16 x 1
35	532 06 23-35	Belleville Washer 1/2
36	532 15 12-54	Axle Arm Assembly
37	532 13 28-00	Selector Knob
38	532 12 52-59	Selector Spring
40	532 14 66-30	Spacer
41	532 13 43-40	Wheel Adjusting Bracket (L.R.)
42	532 13 43-41	Wheel Adjusting Bracket (R.R.)
43	532 17 09-77	Handle Bracket Assembly (Left)
44	532 17 09-75	Handle Bracket Assembly (Right)
45	532 17 04-99	Lawn Mower Housing (Incl. Ref. #74)
47	532 14 97-41	Self Tapping Screw 5/16-18 x 3/4
48	532 75 15-92	Locknut 3/8-16

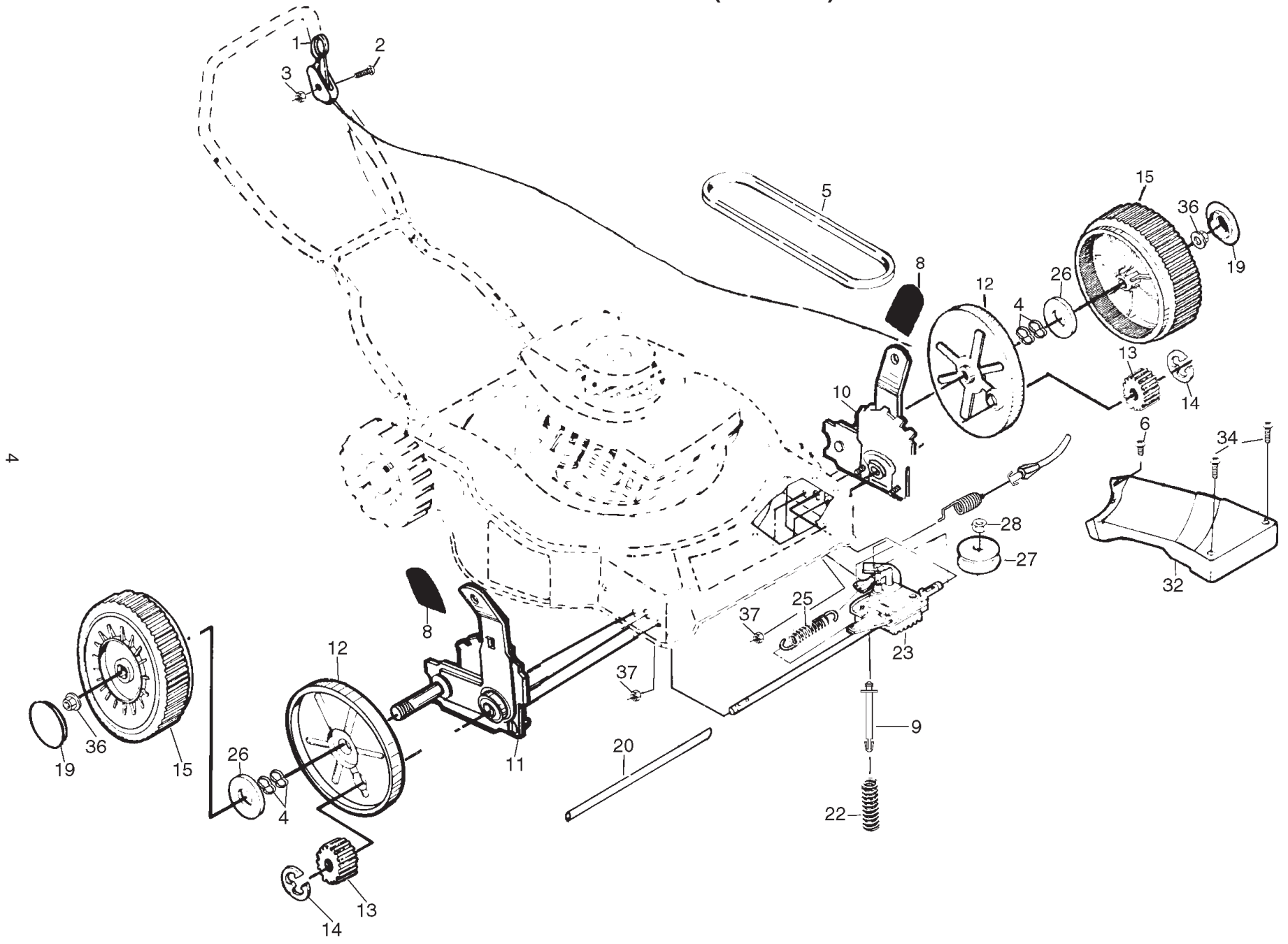
KEY NO.	PART NO.	DESCRIPTION
52	532 12 50-78	Eng. Washer
53	532 13 46-12	Debris Shield
54	532 15 04-06	Hex Head Thread Rolling Screw 3/8-16 x 1
55	532 85 10-84	Hex Head Screw 3/8-24 x 1-3/8 Grade 8
56	532 85 02-63	Helical Lock Washer 3/8
57	532 85 10-74	Hardened Washer
58	532 15 71-01	22" Blade
59	532 85 15-14	Blade Adapter
61	532 17 04-91	Front Baffle
66	532 08 45-96	Engine Pulley
67	532 08 76-77	Hi-Pro Key #HP 505
70	---	Engine - Briggs & Stratton - Model No. 12H802 Order parts from engine manufacturer
71	532 15 41-47	Foot Guard
72	532 08 58-25	Self Tapping Screw #10-24 x 1
74	532 14 54-94	Warning Decal
81	532 08 39-23	Nut
82	532 13 31-07	Cable MZR
83	532 11 11-90	B & S Clamp
84	532 08 38-16	Screw
85	817 60 04-06	Flat Head Screw
86	532 12 84-15	Pop Rivet
87	532 13 20-04	Nut, Hex
--	532 12 53-81	Rear Baffle (Not Shown)
--	532 16 87-11	Owner's Manual, Scand.
--	532 16 87-10	Owner's Manual, Euro.

Available Accessories not included with mower:

- GCK5000 Grass Catcher
- MK22SD Mulcher Kit

NOTE: All component dimensions given in U.S. inches.
1 inch = 25.4 mm

ROTARY LAWN MOWER - - MODEL NUMBER 600SD (J600SDF) PRODUCT NUMBER 954 13 00-50



4

ROTARY LAWN MOWER - - MODEL NUMBER 600SD (J600SDF) PRODUCT NUMBER 954 13 00-50

51

KEY NO.	PART NO.	DESCRIPTION
1	532 14 57-55	Drive Control Assembly
2	532 15 87-55	Hex Washer Head Screw 1/4-20 x 2.12
3	532 75 11-52	Locknut
4	532 05 71-43	Wave Washer
5	532 14 65-27	V-Belt
6	532 75 00-97	Screw
8	532 13 28-00	Selector Knob
9	532 15 04-95	Hex Head Bolt 1/4-20 x 2
10	532 15 24-65	Wheel Adjuster Assembly (Left)
11	532 15 24-63	Wheel Adjuster Assembly (Right)
12	532 18 05-04	Dust Cover
13	532 13 70-54	Pinion
14	812 00 00-58	E-Ring
15	532 18 07-59	Wheel & Tire Assembly
19	532 80 11-53	Hubcap

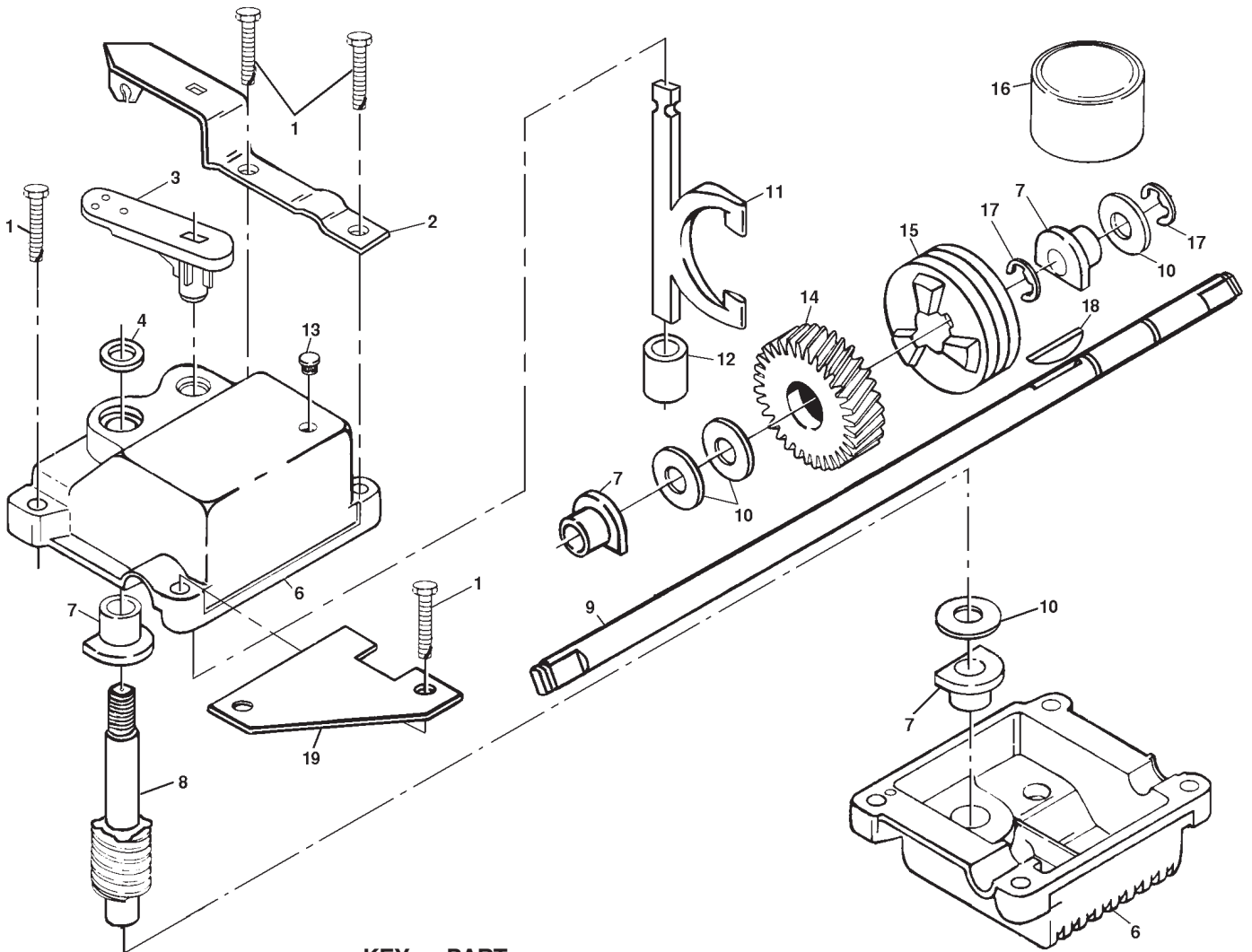
KEY NO.	PART NO.	DESCRIPTION
20	532 08 60-12	Drive Shaft Cover
22	532 13 70-90	Spring
23	532 70 25-11	Gear Case Assembly
25	532 07 51-92	Spring
26	532 06 77-25	Washer
27	532 13 70-52	Drive Pulley
28	532 13 20-10	Locknut
32	532 13 70-88	Drive Cover
34	532 14 60-72	Pan Head Tapping Screw #10-24 x 2-3/4
36	532 08 39-23	Flanged Locknut
37	532 06 36-01	Nut
--	532 16 10-57	Drive Cover Decal

NOTE: All component dimensions given in U.S. inches.
1 inch = 25.4 mm

ROTARY LAWN MOWER - - MODEL NUMBER 600SD (J600SDF)

PRODUCT NUMBER 954 13 00-50

GEAR CASE ASSEMBLY PART NUMBER 532 70 25-11



KEY NO.	PART NO.	DESCRIPTION
1	817 49 04-16	Tapping Screw 1/4-20 x 1-1/4
2	532 14 02-69	Engagement Bracket
3	532 13 70-53	Shifter
4	532 05 70-72	Seal
6	532 04 83-73	Gear Case Halves Kit (Includes Key Numbers 4 and 7)
7	532 07 78-81	Bearing
8	532 13 70-51	Worm Shaft
9	532 13 70-74	Drive Shaft (532 70 25-11)
--	532 13 70-77	Drive Shaft (532 70 25-10)
10	532 05 70-79	Hardened Washer
11	532 13 14-84	Clutch Yoke
12	532 70 03-43	Bushing
13	532 08 64-47	Plug
14	532 13 70-50	Helical Gear
15	532 75 04-36	Clutch Jaw
16	532 75 03-69	Grease
17	812 00 00-03	E-Ring
18	532 85 08-48	Hi-Pro Key
19	532 12 54-41	Spring Bracket

NOTE: All component dimensions given in U.S. inches.
1 inch = 25.4 mm⁶