

LT19 A

Spare parts

Ersatzteile

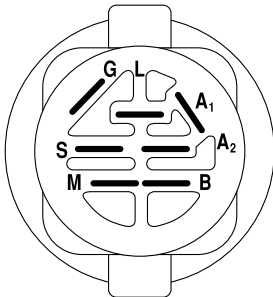
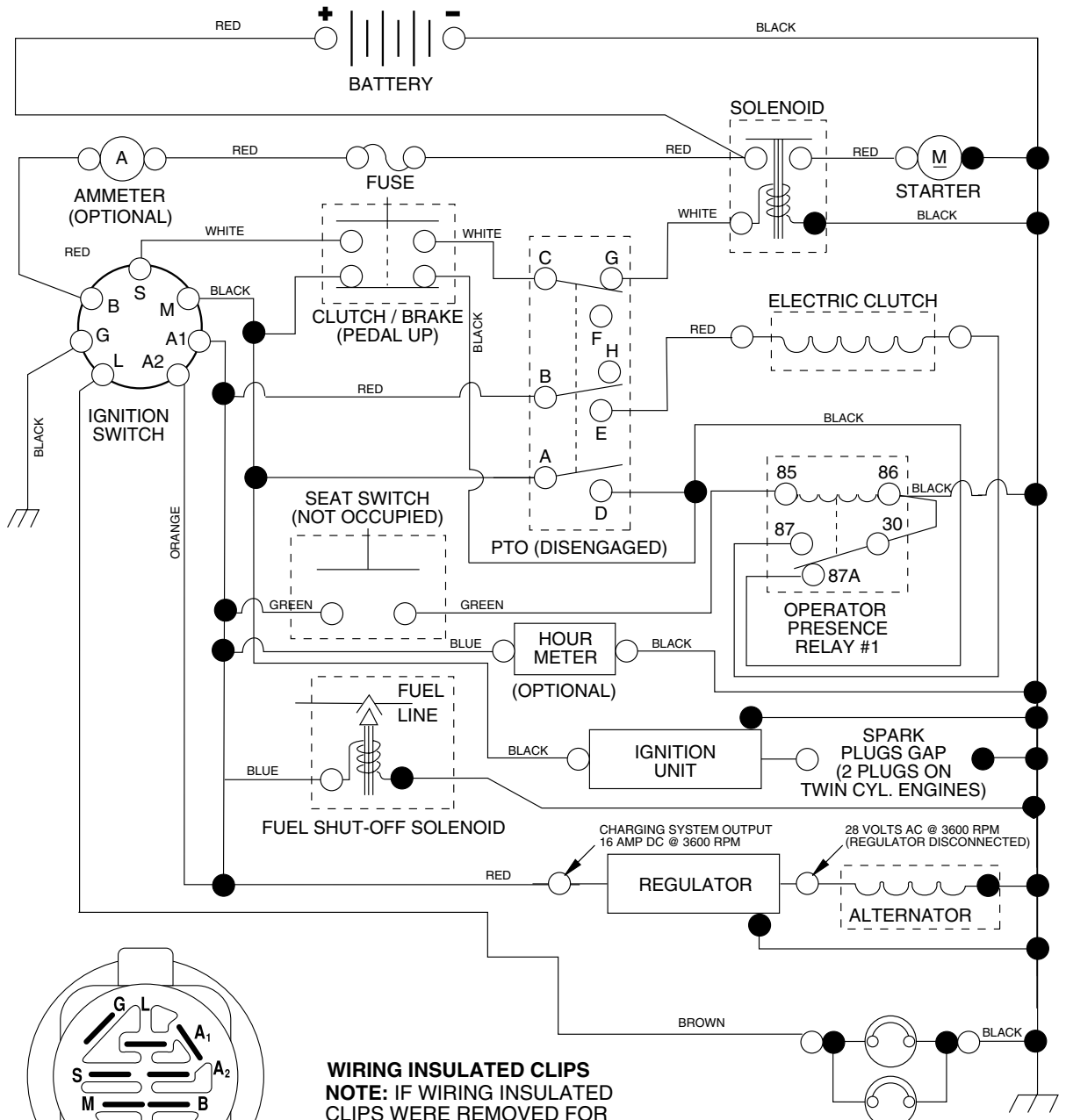
Pièces détachées

Reserve onderdelen

Repuestos

Reservdelar

TRACTOR - - MODEL NUMBER LT19A (JLT19H48B), PRODUCT NO. 954 13 00-78 SCHEMATIC



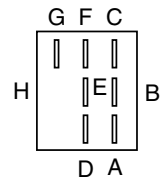
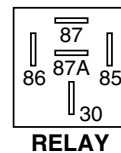
IGNITION SWITCH

POSITION	CIRCUIT	"MAKE"
OFF	M+G+A1	NONE
RUN/LIGHT	B+A1	A2+L
RUN	B+A1	NONE
START	B + S + A1	NONE

PTO SWITCH

POSITION	CIRCUIT
OFF	C + G, B + H
ON	G + F, B + E, A + D

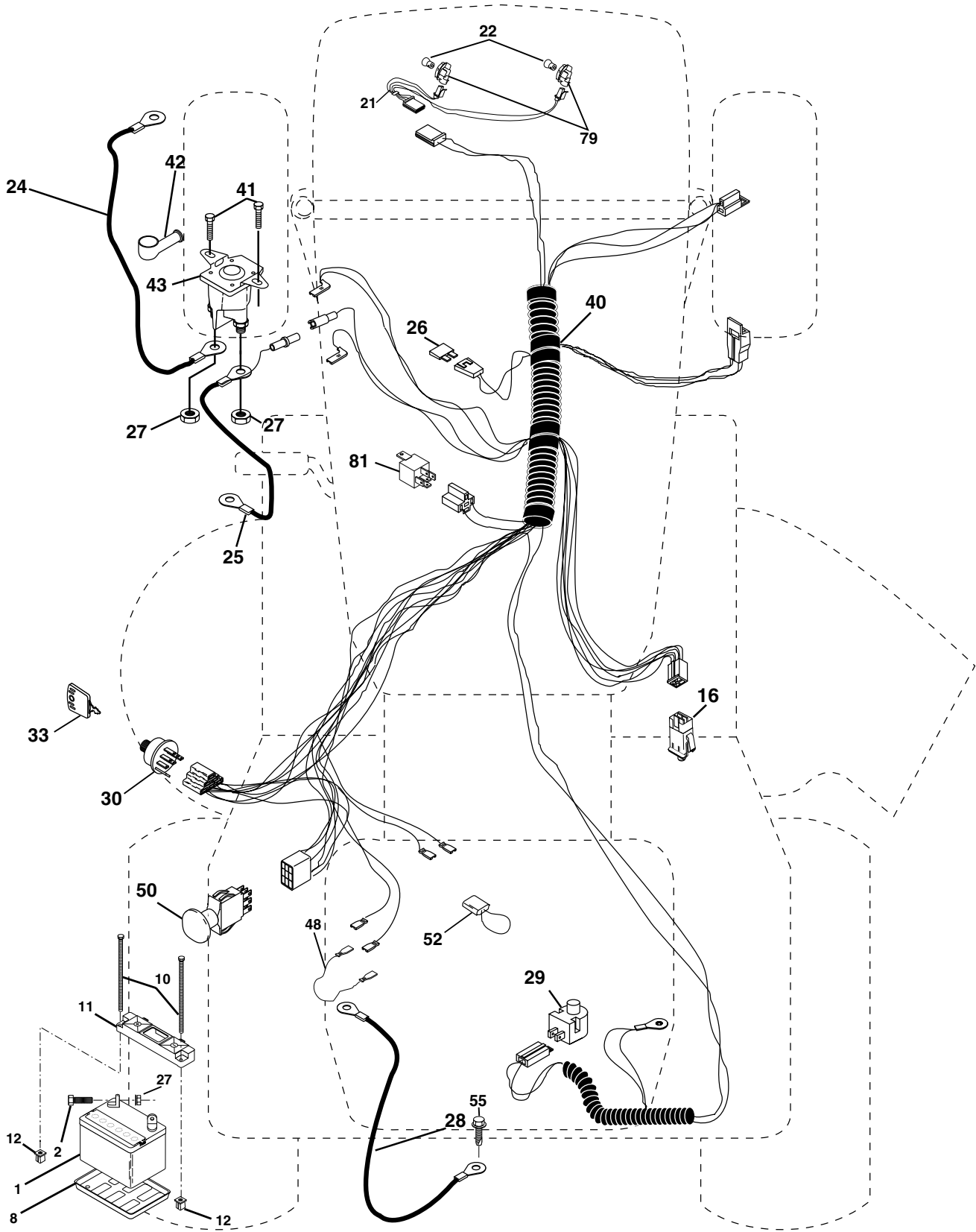
NON-REMOVABLE CONNECTIONS
 REMOVABLE CONNECTIONS



WIRING INSULATED CLIPS
NOTE: IF WIRING INSULATED CLIPS WERE REMOVED FOR SERVICING OF UNIT, THEY SHOULD BE REPLACED TO PROPERLY SECURE YOUR WIRING.

REPAIR PARTS

TRACTOR - - MODEL NUMBER LT19A (JLT19H48B), PRODUCT NO. 954 13 00-78
ELECTRICAL



REPAIR PARTS

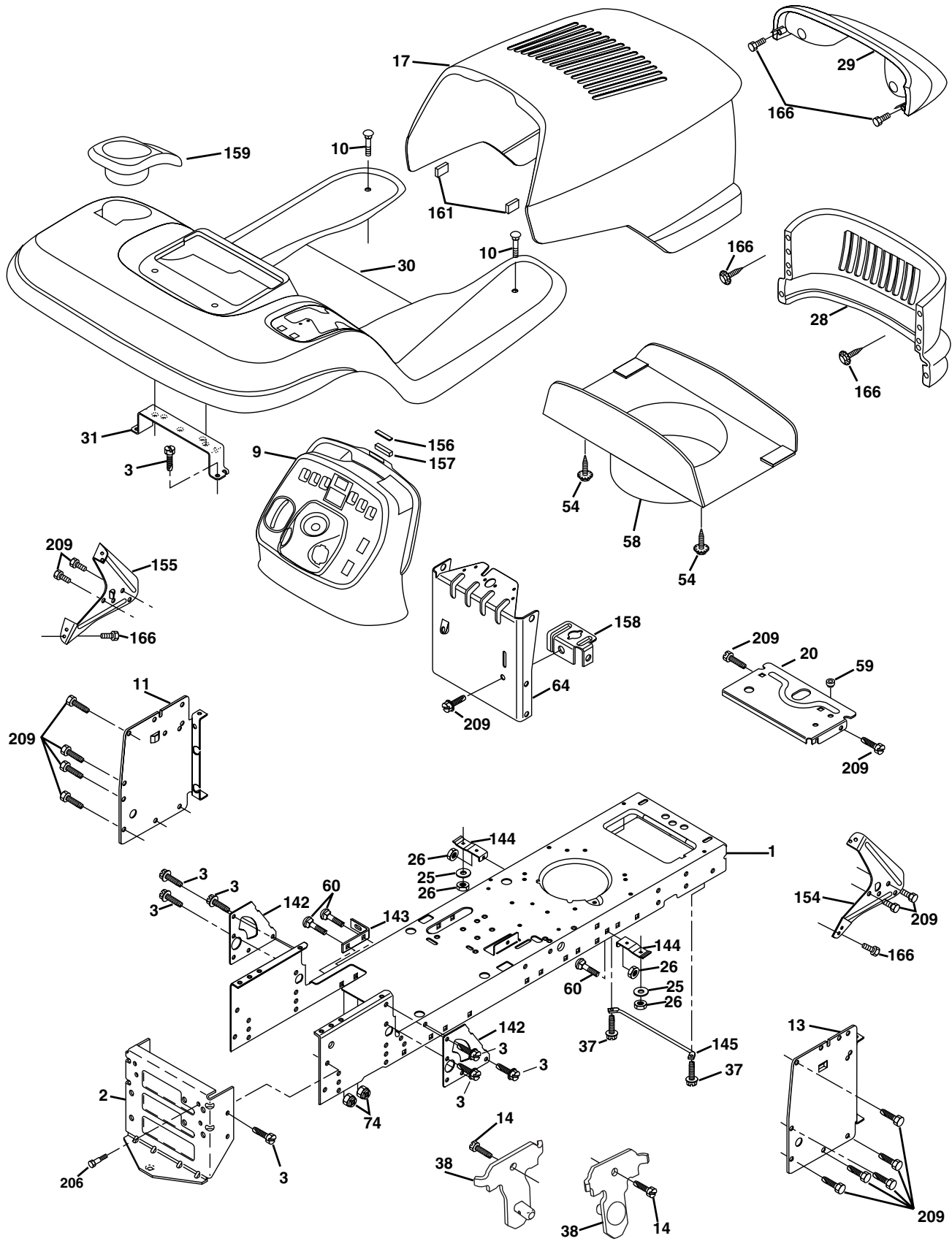
TRACTOR - - MODEL NUMBER LT19A (JLT19H48B), PRODUCT NO. 954 13 00-78
ELECTRICAL

KEY NO.	PART NO.	DESCRIPTION
1	532 14 49-27	Battery
2	874 76 04-12	Bolt Hex Hd 1/4-20unc X 3/4
8	532 12 48-86	Tray Brty 7.80 x 5.25 Blk
10	532 14 52-11	Bolt Btr Frt 1/4-20 x 7.5 zinc
11	532 15 01-09	Holddown Battery mount
12	532 14 57-69	Nut Push Nylon 1/4 Battery Frt.
16	532 17 61-38	Switch Interlock Push-In
21	532 17 56-88	Harness Asm Light W/4152j
22	532 00 41-52	Bulb Light #1156
24	532 00 88-60	Cable Battery 6 Ga 17" red
25	532 14 61-48	Cable Battery 6 Ga 22" w/16W
26	532 17 51-58	Fuse
27	873 51 04-00	Nut Keps Hex 1/4-20 Unc
28	532 14 54-91	Cable Ground 21" Blk 6 Ga 90T
29	532 16 07-84	Switch Plunger Normal OP Olive
30	532 17 55-66	Switch Ign
33	532 14 04-01	Key Ign
40	532 17 97-35	Harness Ign.
41	817 72 04-08	Screw Thd Cut 1/4-20 x 1/2
42	532 13 15-63	Cover Terminal Red
43	532 17 88-61	Solenoid
48	532 14 08-44	Adapter Ammeter Rectangular
50	532 17 46-51	Switch PTO
52	532 14 19-40	Protection Wire Loop
55	817 49 05-08	Screw Thdrol 5/16-18 x 1/2 Typ
79	532 17 52-42	Bulbholder
81	532 10 97-48	Relay ASM

NOTE: All component dimensions given in U.S. inches
1 inch = 25.4 mm.

REPAIR PARTS

TRACTOR - - MODEL NUMBER LT19A (JLT19H48B), PRODUCT NO. 954 13 00-78
CHASSIS AND ENCLOSURES



REPAIR PARTS

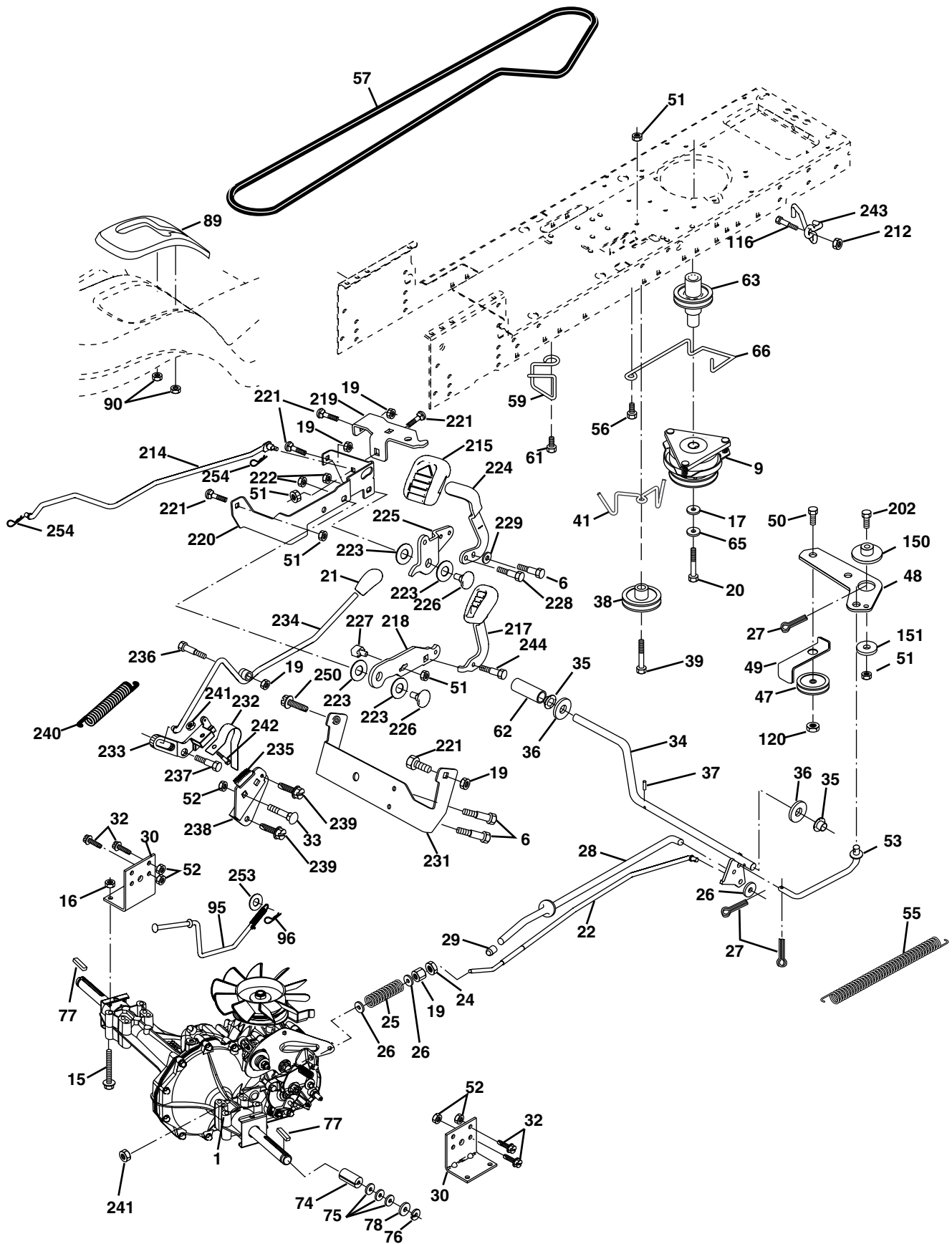
TRACTOR - - MODEL NUMBER LT19A (JLT19H48B), PRODUCT NO. 954 13 00-78 CHASSIS AND ENCLOSURES

KEY NO.	PART NO.	DESCRIPTION	
1	532 17 46-19	Chassis Stamping	
2	532 17 65-54	Drawbar	
3	817 06 06-12	Screw 3/8-16x3/4	
9	532 17 71-44	Dashboard	
10	872 14 06-08	Bolt Rdhd Sqnk 3/8-16 Unc x 1	
11	532 16 72-03	Panel Dash Lh	
13	532 17 82-98	Panel Dash Rh	
14	817 49 06-08	Screw Thdrol 3/8-16 x 1/2	
17	532 18 13-51	Hood	
20	532 16 20-26	Plate Mtg Battery/Fuel Tank	
25	819 13 13-12	Washer 13/32 x 13/16 x 12 Ga.	
26	873 80 06-00	Nut Lock w/Insert 3/8-16 UNC	
28	532 18 13-52	Grille Lens Asm	
29	532 17 97-61	Light Box Asm (w/Lens)	
30	532 18 13-53	Fender	
31	532 13 99-76	Bracket	
37	817 49 05-08	Screw Thdrol 5/16-18 x 1/2	
38	532 17 57-10	Bracket Asm Pivot Mower Rear	
54	532 16 14-64	Screw Hex Wshd 8-18 x 7/8	
58	532 17 53-51	Duct Air	
59	532 17 75-79	Bushing Snap	
60	872 14 06-06	Bolt RDHD SQNK 3/8-16 x 3/4	
64	532 17 49-97	Dash Lower Stlt	
74	873 68 06-00	Nut Crownlock 3/8-16	
142	532 17 57-02	Plate Reinforcement	
143	532 15 49-66	Bracket Swaybar Chassis	
144	532 17 55-82	Bracket Ft Rest	
145	532 15 65-24	Rod Pivot Chassis Hood	
154	532 16 18-97	Bracket Dash RH	
155	532 16 19-00	Bracket Dash LH	
156	532 16 38-05	Striker Plate	
157	532 16 38-06	Magnet YTGT	
Correction:	158	532 16 20-37	Parking Brake Brkt
532 18 13-55	159	532 18 13-35	Cupholder YTGT Grey
	161	532 16 46-55	Extrusion Bumper
	166	532 16 48-63	HWHDH:-Lo. #13-16 x 3/4
	206	532 17 01-65	Bolt Shoulder 5/16-18 TT
	209	817 00 06-12	Screw Hexwsh Thdr 3/8-16 c-x 3/4

NOTE: All component dimensions given in U. S. inches
1 inch = 25.4 mm

REPAIR PARTS

TRACTOR - - MODEL NUMBER LT19A (JLT19H48B), PRODUCT NO. 954 13 00-78
DRIVE



REPAIR PARTS

**TRACTOR - - MODEL NUMBER LT19A (JLT19H48B), PRODUCT NO. 954 13 00-78
DRIVE**

KEY NO.	PART NO.	DESCRIPTION	KEY NO.	PART NO.	DESCRIPTION
1	-----	Transaxle (Order parts from transaxle manufacturer) Hydro gear Model 323-0510	76	812 00 00-01	E-Ring
6	817 06 05-12	Screw 5/16-18 x 3/4	77	532 12 35-83	Key, Square
9	532 17 43-67	Clutch Elec	78	532 12 17-48	Washer 25/32 x 1-5/8 x 16 Ga.
15	874 49 05-44	Bolt Hex Flghd 5/16-18 Gr. 5	89	532 18 14-53	Console, Shift
16	873 80 05-00	Nut Lock Hex W/Ins. 5/16-18 Unc	90	532 12 43-46	Nut Self-Thd Wsh-hd 1/4 Zinc
17	532 12 61-97	Washer 1-1/2 OD x 15/32 ID x .250	95	532 18 08-25	Bypass Asm
19	873 80 06-00	Nut Lock Hex W/Wsh 3/8-16 Unc	96	532 12 47-88	Retainer Spring 1" Zinc/Cad
20	532 17 39-37	Bolt Hex 7/16-20 x 4 x Gr. 5-1.5	116	872 14 06-08	Bolt RDHD SQNK 3/8-16 Unc x 1
21	532 18 14-54	Knob Custom Control Cruise	120	873 90 06-00	Nut Lock Flg 3/8-16 Unc
22	532 17 58-96	Rod, Brake	150	532 17 54-56	Spacer Retainer
24	873 35 06-00	Nut, Hex Jam 3/8-16 Unc	151	819 13 32-10	Washer 13/32 x 2 x 10 Ga.
25	532 10 68-88	Spring, Brake Rod	202	872 11 06-12	Bolt Carr Sh 3/8-16 x 1-1/2 Gr. 5
26	819 13 13-16	Washer	212	532 14 52-12	Nut HexFlange Lock
27	876 02 04-12	Pin Cotter 1/8 x 3/4 CAD.	214	532 17 47-35	Link Transaxle
28	532 17 57-65	Rod, Parking Brake	215	532 17 56-46	Cover Pedal Forward
29	532 07 16-73	Cap, Brake, Park	217	532 17 94-33	Pedal Reverse Asm
30	532 16 95-92	Bracket, Transaxle	218	532 17 47-13	Arm Control Pedal Reverse
32	874 76 05-12	Bolt Hex Hd 5/16-18 Unc x 3/4	219	532 17 48-39	Bracket Frest Pdl Ctrl. Hyd
33	872 14 05-06	Bolt Rdhd Sqnk 5/16-18 Unc x 3/4	220	532 17 47-11	Bracket Mtg. Pedal Control
34	532 17 55-78	Shaft, Foot Pedal	221	872 14 06-06	Bolt Rdhd Sqnk 3/8-16 Unc x 3/4
35	532 12 01-83	Bearing, Nylon	222	873 68 07-00	Nut Crownlock 7/16-14 Unc
36	819 21 16-16	Washer	223	532 17 48-40	Washer Nylon 11/16 ID x .060
37	532 12 49-63	Pin, Roll	224	532 17 47-36	Pedal Forward
38	532 17 91-14	Pulley, Composite, Flat	225	532 17 47-12	Arm Control Pedal Forward
39	874 76 06-48	Bolt Fin Hex 3/8-16 Unc x 3	226	532 17 49-02	Bolt Pivot Spacer
41	532 17 55-56	Keeper, Belt Idler Flat	227	532 17 47-10	Cam Reverse Pedal LT
47	532 12 77-83	Pulley, Idler, V-Groove	228	532 17 90-32	Bolt Shoulder 5/16-18
48	532 15 44-07	Bellcrank Clutch Grnd Drw Stl	229	532 17 64-51	Washer Serrated 5/16 x .75
49	532 12 32-05	Retainer, Belt	231	532 17 45-73	Strap Torque
50	874 76 06-24	Bolt	232	532 17 55-70	Actuator Cruise Disengage
51	873 68 06-00	Nut Crownlock 3/8-16 UNC	233	532 17 48-56	Pawl Control Cruise
52	873 68 05-00	Nut, Crownlock 5/16-18 Unc	234	532 17 48-58	Lever Control Cruise
53	532 10 57-10	Link, Clutch	235	532 17 48-57	Sector Control Cruise
55	532 10 57-09	Spring, Return, Clutch	236	532 12 89-03	Bolt Shoulder 3/8-16 Unc 1/44
56	817 06 06-20	Screw 3/8-16 x 1-1/4	237	532 17 01-65	Bolt Shoulder 5/16-18
57	532 14 02-94	V-Belt, Ground Drive	238	532 17 58-07	Arm Mtg. Cruise Sector
59	532 16 96-91	Keeper, Center Span	239	817 49 05-08	Screw Thdrol 5/16 x 1/2
61	817 12 06-14	Screw 3/8-16 x .875	240	532 17 56-10	Spring Return Cruise Control
62	532 12 48-72	Cover, Pedal	241	873 93 04-00	Nut Centerlock 1/4-20 Unc
63	532 17 54-17	Pulley, Engine	242	874 78 04-12	Bolt Fin Hex 1/4-20 Unc x .75
65	810 04 07-00	Washer	243	532 17 82-89	Bracket Anti-Rotation CVX
66	532 15 47-78	Keeper Belt Engine	244	532 16 68-80	Screw 5/16-18 x 5/8
74	532 13 70-57	Spacer, Axle	250	817 06 06-12	Screw 3/8-16 x 3/4
75	532 12 17-49	Washer 25/32 x 1-1/4 x 16 Ga.	253	532 17 94-22	Washer .3125 x .615 x 16 Ga.
			254	532 17 80-62	Clip Retainer

NOTE: All component dimensions given in U.S. inches
1 inch = 25.4 mm.

REPAIR PARTS

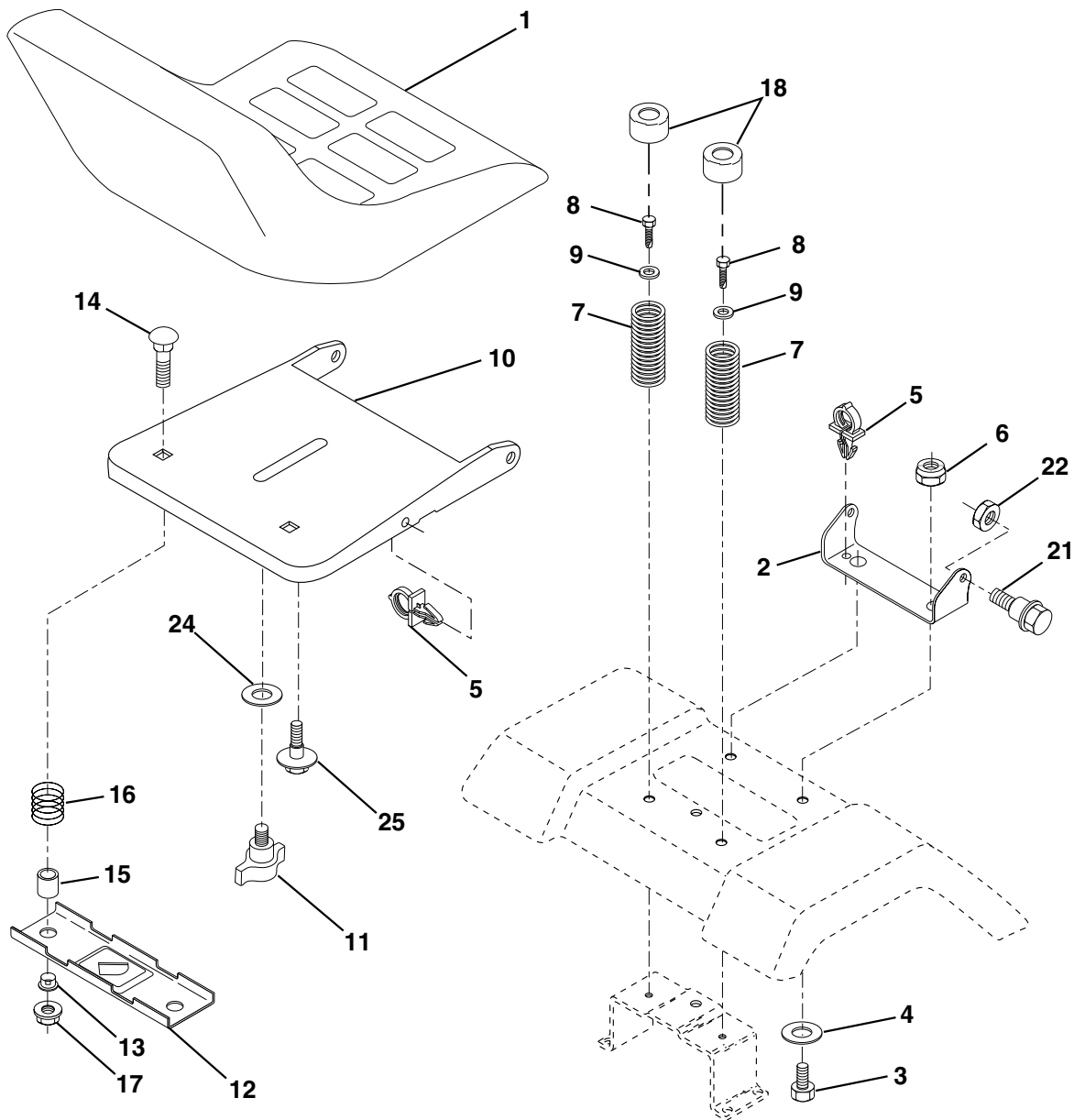
TRACTOR - - MODEL NUMBER LT19A (JLT19H48B), PRODUCT NO. 954 13 00-78
STEERING ASSEMBLY

KEY NO.	PART NO.	DESCRIPTION
1	532 17 20-92	Wheel Steering
2	532 17 23-93	Axle Casting Iron Lt
3	532 16 98-40	Spindle Asm LH
4	532 16 98-39	Spindle Asm RH
5	532 12 49-31	Washer Thrust .75 x 1.230
6	532 12 17-48	Washer 25/32 X 1-5/8 X 16 Ga
8	812 00 00-29	Ring Klip #t5304-75
10	532 17 51-21	Draglink
11	810 04 06-00	Washer Lock Hvy Hlcl Spr 3/8
12	873 94 08-00	Nut Hex Jam Toplock 1/2-20unf
13	532 13 65-18	Spacer Bearing Axle Front
15	532 14 52-12	Nut Hex Flange Lock
17	532 17 78-83	Shaft Asm Strg
29	817 06 06-12	Screw 3/8-16 x 3/4
32	532 17 01-62	Rod Asm Tie
33	819 11 12-16	Washer 11/32 x 3/4 x 16 Ga.
34	810 04 05-00	Washer Lock Hvy HLCL Spr. 5/16
35	873 54 05-00	Nut Crown Lock 5/16-24 Unf
36	532 15 51-05	Bushing Strg
37	532 15 29-27	Screw TT #32.5 x 5 x 3/8 Flange
38	532 17 20-93	Insert Cap Strg Wh
40	532 12 47-01	Nut Lock Center 3/8-24 Unf
41	532 15 99-45	Adaptor Wheel Strg
42	532 17 71-49	Boot Steering
43	532 12 17-49	Washer 25/32 X 1 1/4 X 16 Ga
46	532 12 12-32	Cap Spindle Fr Top Blk
65	532 16 03-67	Spacer Axle Brace
67	872 14 06-18	Bolt Rdhd Sqnk 3/8-16unc x 2-1/4
68	532 16 98-27	Brace Axle
71	532 17 51-46	Steering Asm.
72	819 18 24-11	Washer 9/16ID x 1-1/2 OD 11G Zin
73	532 18 14-49	Extension Steering Premuim
82	532 16 98-35	Bracket Susp Chassis Front
87	532 17 39-66	Washer Flat .781 x 1-1/2 x .14
88	532 17 51-18	Bolt Shoulder 7/16-20
91	532 17 55-53	Clip Steering

NOTE: All component dimensions given in U.S. inches
1 inch = 25.4 mm.

REPAIR PARTS

TRACTOR - - MODEL NUMBER LT19A (JLT19H48B), PRODUCT NO. 954 13 00-78
SEAT ASSEMBLY



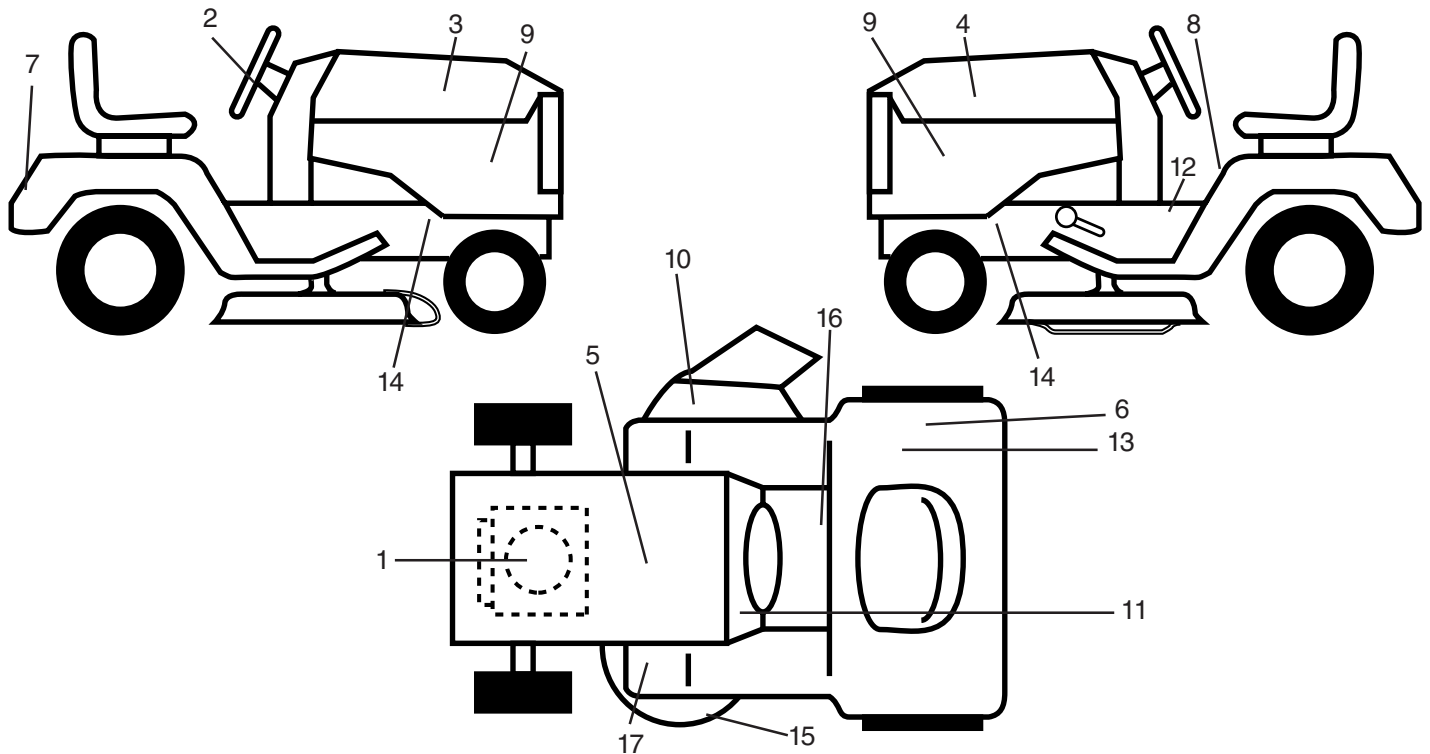
KEY NO.	PART NO.	DESCRIPTION
1	532 14 01-18	Seat
2	532 14 05-51	Bracket Pivot Seat 8 720
3	871 11 06-16	Bolt Hex 3/8-16unc x 1
4	819 13 16-10	Washer 13/32 X 1 X 10 Ga
5	532 14 50-06	Clip Push-In Hinged
6	873 80 06-00	Nut Lock Hex w/Ins. 3/8-16 Unc
7	532 12 41-81	Spring Seat Cprsn 2 250 Blk Zi
8	817 00 06-16	Screw 3/8-16 X 1
9	819 13 16-14	Washer 13/32 X 1 X 14 Ga
10	532 17 48-94	Pan Seat
11	532 16 63-69	Knob Seat
12	532 12 12-46	Bracket Mounting Switch

KEY NO.	PART NO.	DESCRIPTION
13	532 12 12-48	Bushing Snap Blk Nyl 50 Id
14	872 05 04-12	Bolt Rdhd Sht Nk 1/4-20x1-1/2
15	532 12 12-49	Spacer Split 28x 88 Yel Zinc
16	532 12 37-40	Spring Cprsn 1 310 Blk Pnt
17	532 12 39-76	Nut Lock 1/4 Lge Flg Gr 5 Zinc
18	532 12 42-38	Cap Spring Seat
21	532 17 18-52	Bolt Shoulder 5/16-18 Unc-2A
22	873 80 05-00	Nut Lock Hx W/Ins 5/16-18unc
24	819 17 19-12	Washer 17/32 X 1-3/16 X 12 Ga
25	532 12 70-18	Bolt Shoulder 5/16-18 X 62

NOTE: All component dimensions given in U.S. inches
1 inch = 25.4 mm.

REPAIR PARTS

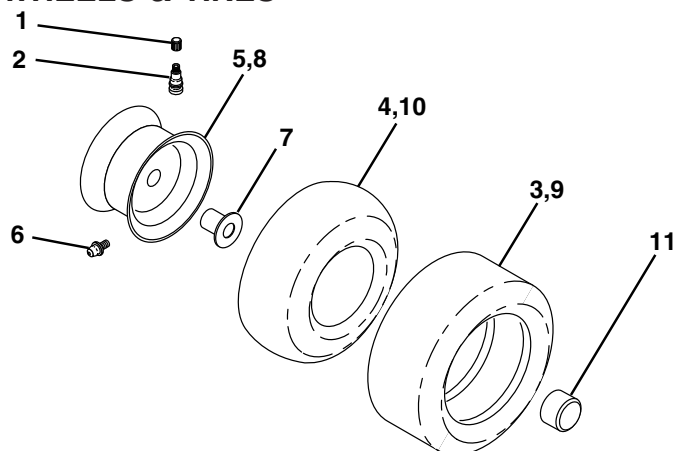
TRACTOR - - MODEL NUMBER LT19A (JLT19H48B), PRODUCT NO. 954 13 00-78
DECALS



KEY NO.	PART NO.	DESCRIPTION
1	532 18 07-09	Decal Engine
2	532 17 05-65	Decal Ins. Strg. Whl.
3	532 17 96-39	Decal Hood RH
4	532 17 96-40	Decal Hood LH
5	532 14 50-05	Decal Btry DNGR/PSN P/L Sym.
6	532 18 04-33	Decal 105 DBA
7	532 14 17-61	Decal Fender
8	532 14 54-98	Decal Read Owners Manual
9	532 16 29-27	Decal Hood Insert
10	532 14 54-94	Decal Mower Cutfinger
11	532 17 69-09	Decal Dash

KEY NO.	PART NO.	DESCRIPTION
12	532 14 08-37	Decal Saddle Brake Parking
13	532 14 54-37	Decal Europe Stand CE
14	532 15 97-36	Decal Chassis Hot Muffler
15	532 17 52-91	Decal V-Belt
16	532 17 83-02	Decal Oper Cruise
17	532 15 97-37	Decal Brake/Clutch Symbol LT
-	532 16 25-98	Decal Drawbar Load Limit
-	532 13 83-11	Decal Lift Handle(Lift Handle)
-	532 16 92-10	Decal By Pass Lt Hydro
-	532 18 14-47	Pad Footrest LH STLT
-	532 18 14-48	Pad Footrest RH STLT
-	532 18 00-56	Manual Oper. Euro.
-	532 18 00-57	Manual Oper. Scan.

WHEELS & TIRES

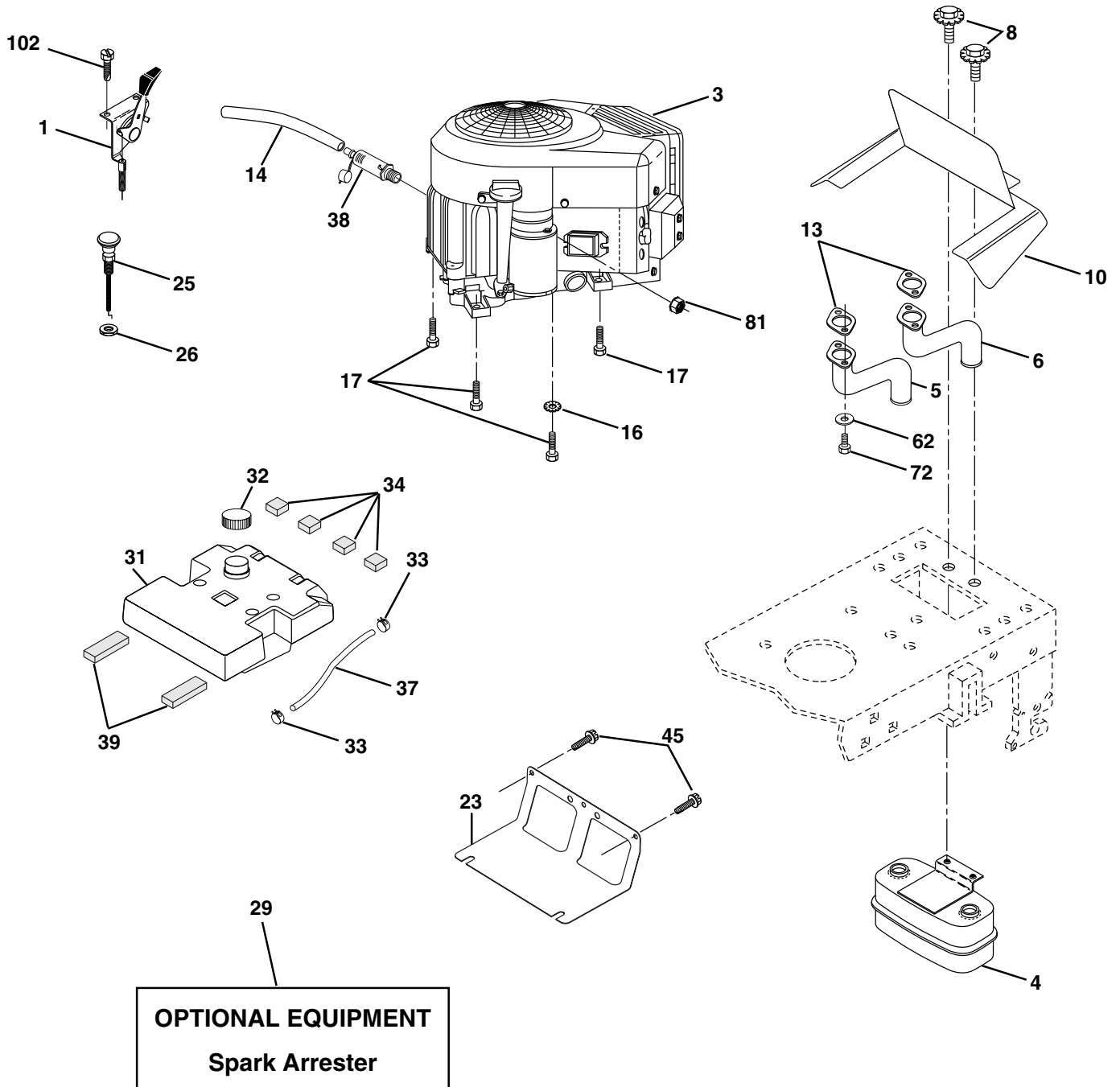


KEY NO.	PART NO.	DESCRIPTION
1	532 05 91-92	Cap Valve Tire
2	532 06 51-39	Stem Valve
3	532 10 62-22	Tire F Ts 15 X 6 0 - 6 Service
4	532 05 99-04	Tube Front (Service Item Only)
5	532 13 83-36	Rim Asm 6" front Silver Service
6	532 12 49-57	Fitting Grease (Front Wheel Only)
7	532 12 49-59	Bearing Flange (Front Wheel Only)
8	532 13 83-37	Rim Asm 8" rear Silver Service
9	532 12 20-82	Tire R Ts 20 10 C Service
10	532 12 49-26	Tube Rear (Service Item Only)
11	532 17 50-39	Cap, Hub Axle Blk 1.50 x 1.00
--	532 14 43-34	Tire, Sealant (10 oz. Tube)

NOTE: All component dimensions given in U.S. inches
1 inch = 25.4 mm

REPAIR PARTS

TRACTOR - - MODEL NUMBER LT19A (JLT19H48B), PRODUCT NO. 954 13 00-78
ENGINE



REPAIR PARTS

TRACTOR - - MODEL NUMBER LT19A (JLT19H48B), PRODUCT NO. 954 13 00-78
ENGINE

KEY NO.	PART NO.	DESCRIPTION
1	532 17 83-85	Control Throt
3	-----	Engine Briggs & Stratton Model #446777 Order parts from engine manufacturer
4	532 14 97-23	Muffler Twin Lo-Twin
5	532 15 99-55	Tube, Manifold Lh
6	532 16 05-89	Tube, Manifold Rh
8	532 17 18-77	Bolt 5/16-18 Unc x 3/4 w/Sems
10	532 16 27-97	Shield Browning Intek
13	532 16 53-91	Gasket Muffler
14	532 14 84-56	Tube Drain Oil Easy
16	811 05 06-00	Washer Lock Ext Tooth 3/8
17	817 49 06-24	Screw, Thdrol 3/8-16 x 1-1/2 Tytt
23	532 16 98-37	Shield Brn/Dbr Guard
25	532 17 86-39	Choke Control
26	873 92 06-00	Nut, Keps 3/8-24 Unf
29	532 13 71-80	Kit Spark Arrestor (Flat Scrn)
31	532 15 71-03	Tank Fuel 3 50 STLT w/o Sensor
32	532 14 05-27	Cap Asm Fuel W/sym Vented
33	532 12 34-87	Clamp Hose Blk
34	532 10 60-82	Pad, Spacer
37	532 14 21-58	Line Fuel
38	532 14 83-15	Plug Drain Oil Easy
39	532 10 92-27	Pad, Idler
45	817 00 06-12	Screw Hex Wsh Thdrol 3/8-16
62	810 04 05-00	Washer, Lock Hvy. Hlcl Spr 5/16
72	871 07 05-12	Screw Hex Hd Cap 5/16-18 x 3/4
81	873 51 04-00	Nut Keps Hex 1/4-20 Unc
102	532 16 48-63	Screw Hwhd Hi-Lo #13-16 x 3/4

NOTE: All component dimensions given in U.S. inches
1 inch = 25.4 mm

REPAIR PARTS

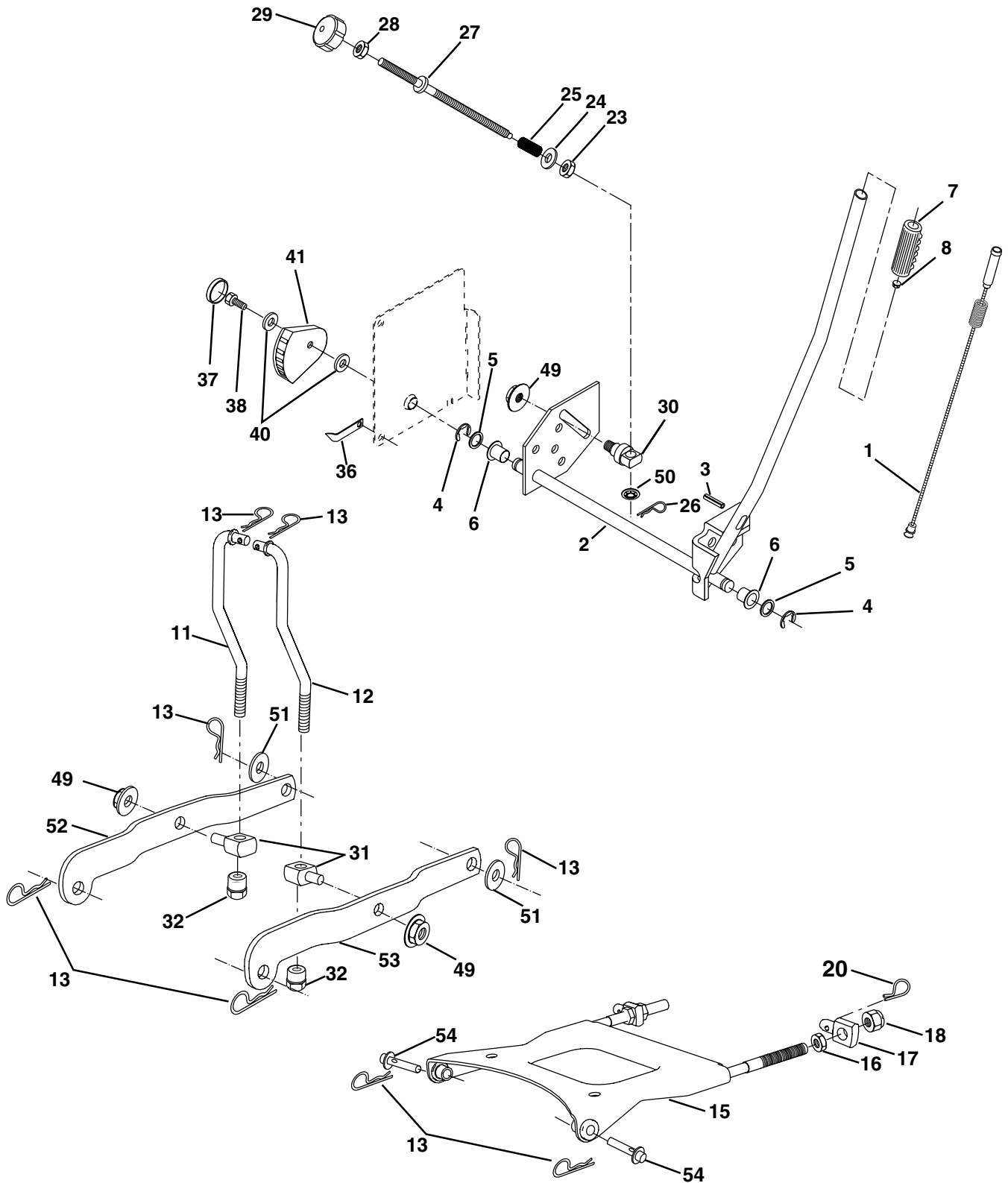
**TRACTOR - - MODEL NUMBER LT19A (JLT19H48B), PRODUCT NO. 954 13 00-78
MOWER DECK**

KEY NO.	PART NO.	DESCRIPTION	KEY NO.	PART NO.	DESCRIPTION
1	532 18 03-58	Deck Weldment Mower 48	56	532 15 59-86	Bar Pnt Adjusting Wheel Gauge
3	532 13 80-17	Bracket Asm., Sway Bar	57	532 15 69-41	Pin Head Rivet
5	532 12 46-70	Retainer Spring	72	819 13 13-12	Washer 13/32 x 13/16 x 12
6	532 17 80-24	Bar Sway Deck	90	874 76 05-16	Bolt, Fin, Hex 5/16-18 x 1.0
8	532 17 43-65	Bolt, 7/16 Asm. Blade	91	532 18 05-34	Bracket, Asm Noseroller, LH 48
11	532 18 00-54	Blade	92	873 80 06-00	Nut Lock Hex w/Ins 3/8-16
13	532 17 43-60	Shaft Asm. greaseable	93	819 17 14-16	Washer 17/32 x 7/8 x 16 Ga.
14	532 17 43-58	Housing Mandrel 48"	94	532 17 60-66	Roller, Nose 48"
15	532 11 04-85	Bearing, Ball, Mandrel	95	532 18 05-35	Bracket, Asm Noseroller RH 48
16	532 17 44-93	Stripper, Mower	97	532 13 39-43	Washer Hardened
17	872 11 06-10	Bolt Rdhd Sq Neck 3/8-16 x 1.25	98	532 17 94-79	Spring Primary Drive
18	872 14 05-05	Bolt, Carriage 5/16-18 x 5/8	99	532 17 50-80	Pulley Idler "V"
19	532 13 28-27	Bolt, Hex Head, Shoulder 5/16-18	100	872 11 06-16	Bolt RDHD Sqnk 3/8-16 Unc x 2
20	532 17 43-78	Baffle, Vortex Mower	108	872 11 04-04	Bolt Carr.
21	873 68 05-00	Nut, Crownlock 5/16-18 UNC	109	873 68 04-00	Nut Crownlock 1/4-20
24	532 10 53-04	Cap, Sleeve	110	532 17 50-16	Arm Spring Secondary
25	532 17 81-02	Spring, Torsion	112	532 17 43-87	Link Tension Relief Lever
26	532 11 04-52	Nut, Push	113	872 11 05-08	Bolt Carr. 5/16-18 x 1
27	532 18 17-07	Shield, Deflector Mower	114	532 17 43-84	Tension Asm Relief Lever
28	819 11 10-16	Washer 11/32 x 5/8 x 16 Ga.	115	532 17 46-09	Arm Spring Tension Relief
29	532 13 14-91	Rod, Hinge	116	532 13 76-44	Bolt, Shoulder
30	532 17 39-84	Screw, Thdroll, Washer Head	117	532 17 48-73	Gauge Wheel
31	532 12 99-63	Washer, Spacer Mower Vented	118	873 93 06-00	Nut, Centerlock 3/8-16 UNC
32	532 17 78-65	Pulley, Mandrel	119	819 12 14-14	Washer 3/8 x 7/8 x 14 Ga.
33	532 17 83-42	Nut, Flg. Top Lock Cntr. 9/16	121	532 17 43-71	Spring Secondary Drive
36	819 13 13-16	Washer 13/32 x 13/16 x 16 Ga.	122	532 17 46-06	Bushing Pivot Tension Relief
37	532 17 79-68	Pulley, Idler, Flat	126	532 17 43-72	Arm, Idler, Primary Deck
39	532 17 43-75	Pulley, Idler, Driven	130	817 00 06-16	Screw 3/8-16 x 1.0
42	532 16 57-23	Spacer, Retainer	132	817 06 06-12	Screw 3/8-16 x .75
43	532 17 43-73	Arm, Idler Secondary	180	873 80 05-00	Nut Lock 5/16-18
45	532 17 43-43	Cover, Mandrel Deck	182	532 17 91-27	Rod Roller Nose
46	532 13 77-29	Screw, Thdroll. 1/4-20 x 5/8	183	532 16 35-52	Retainer Spring
47	532 18 08-08	V-Belt, Mower, Secondary	184	532 17 39-79	Keeper Belt Idler
48	532 17 43-68	V-Belt, Mower, Primary	--	532 18 15-79	Replacement Mower, Complete
49	873 68 06-00	Nut, Crownlock 3/8-16 UNC	--	532 17 43-56	Mandrel Assembly (Includes Housing, Shaft and Shaft Hardware Only-Pulley Not Included)
50	872 11 06-12	Bolt, Carriage 3/8-16 x 1-1/2 Gr. 5			
52	532 17 58-20	Pulley Idler Flat 46 Pri. Drive			
54	874 78 06-16	Bolt Fin Hex 3/8-16 x 1			
55	872 14 06-08	Bolt Rdhd Sqnk 3/8-16 x 1			

NOTE: All component dimensions given in U.S. inches
1 inch = 25.4 mm

REPAIR PARTS

TRACTOR - - MODEL NUMBER LT19A (JLT19H48B), PRODUCT NO. 954 13 00-78
MOWER LIFT



REPAIR PARTS

TRACTOR - - MODEL NUMBER LT19A (JLT19H48B), PRODUCT NO. 954 13 00-78
MOWER LIFT

KEY NO.	PART NO.	DESCRIPTION
1	532 15 94-61	Wire Asm Inner/Spring W/Plunger LT
2	532 15 94-76	Shaft Asm Lift RH w/Inf
3	532 13 82-84	Pin Groove 1 500 Zinc
4	812 00 00-02	E Ring #5133-62
5	819 21 16-21	Washer 21/32 X 1 X 21 Ga
6	532 12 01-83	Bearing Nylon Blk 629 Id
7	532 12 56-31	Grip Handle Fluted Blk
8	532 12 23-65	Button Plunger Black
11	532 17 53-70	Link Lift LH
12	532 17 53-71	Link Lift RH
13	532 12 46-70	Retainer Spring
15	532 17 55-62	Plate Asm Susp Front
16	873 35 08-00	Nut Jam Hex 1/2-13 Unc
17	532 17 56-89	Trunnion
18	873 80 08-00	Nut Lock w/Wsh 1/2-13unc
20	532 16 35-52	Retainer Spring
23	532 11 08-07	Nut Special
24	819 13 10-16	Washer 13/32 X 5/8 X 16 Ga
25	532 16 40-24	Spring
26	532 16 94-84	Retainer Clip
27	532 16 45-43	Rod Adj Lift
28	873 35 06-00	Nut Hex Jam 3/8-16 Unc
29	532 13 80-57	Knob Inf 3/8-16 Unc Blk W/sym
30	532 15 02-33	Trunnion Infin Height
31	532 17 62-05	Trunnion
32	532 17 59-94	Nut Lift Link 7/16-20
36	532 15 50-97	Indicator Height STLT
37	532 12 39-35	Plug Hole Blk 1.485/1.515 Dia.
38	817 06 05-16	Screw 5/16-18 x 1
40	819 11 24-10	Washer 11/32 x 1-1/2 10 Ga.
41	532 15 50-98	Scale Ind. Height Blk.
49	532 14 52-12	Nut Hex Flange Lock
50	532 11 04-52	Nut, Push Phos & Oil
51	819 17 14-16	Washer 17/32 x 7/8 x 16 Ga.
52	532 17 53-78	Arm Susp. Rear Lh
53	532 17 58-02	Arm Susp. Rear Rh
54	532 17 55-60	Pin Flange

NOTE: All component dimensions given in U.S. inches
1 inch = 25.4 mm