

# RT5

**Spare parts**

**Ersatzteile**

**Pièces détachées**

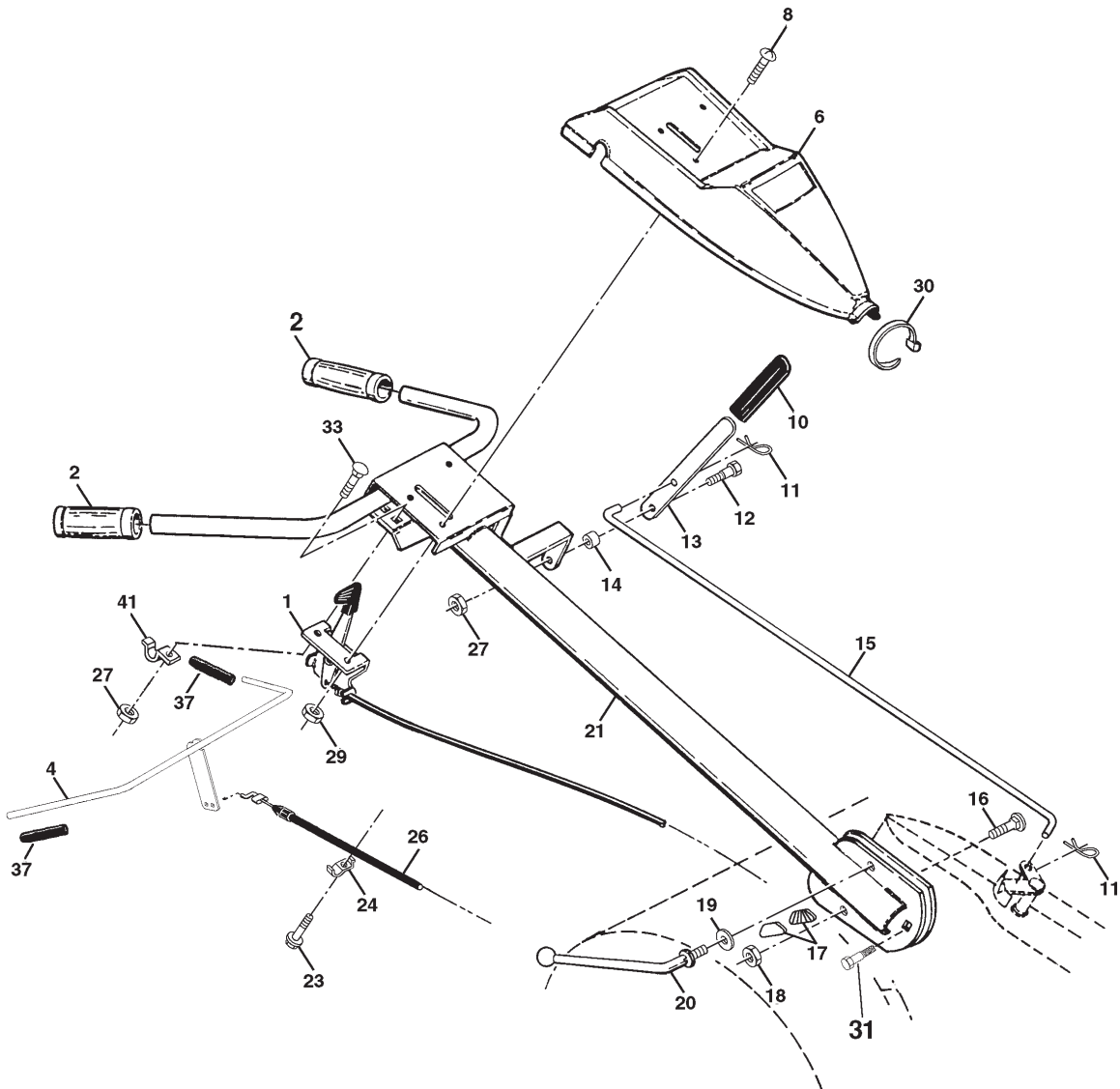
**Reserve onderdelen**

**Repuestos**

**Reservdelar**

# REPAIR PARTS

TILLER - - MODEL NUMBER RT5 (JRT5S) PRODUCT NO. 954 13 00-57  
HANDLE ASSEMBLY



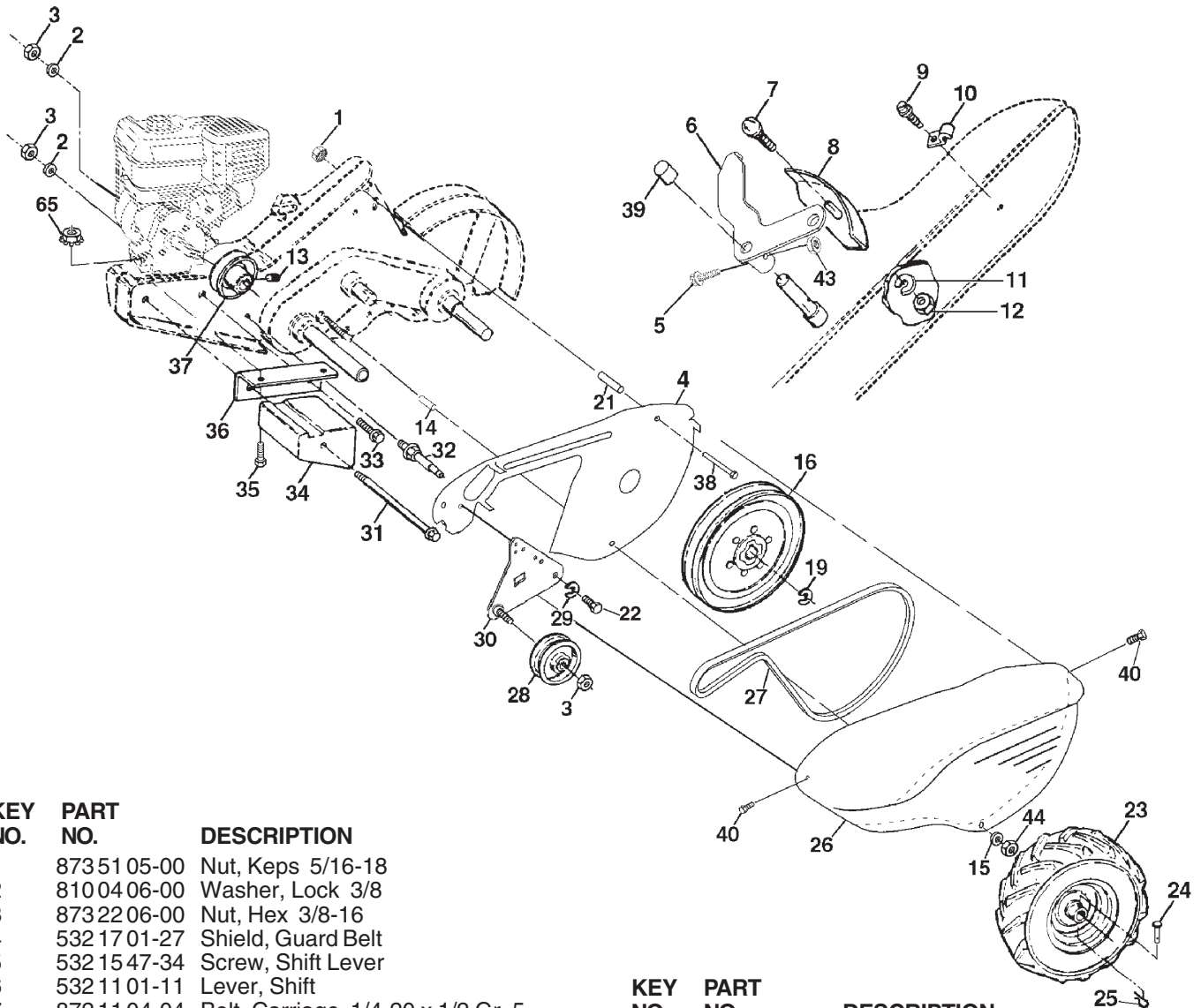
KEY NO.	PART NO.	DESCRIPTION
1	532 18 06-34	Control, Throttle
2	532 00 92-66	Grip, Handle
4	532 15 92-28	Bar Assembly, Control
6	532 18 06-78	Panel, Control
8	871 19 10-08	Screw, Truss Hd. #10-24 UNC x 1/2
10	532 12 47-97	Grip, Handle
11	532 12 47-88	Clip, Hairpin
12	532 08 13-28	Bolt, Shoulder
13	532 10 93-35	Handle, Shift
14	532 10 93-13	Grommet, Rubber
15	532 10 93-37	Rod, Shift
16	872 11 06-08	Bolt, Carriage 3/8-16 x 1 Gr. 5
17	532 10 92-29	Lock, Handle
18	873 68 06-00	Nut Crownlock 3/8-16 UNC
19	819 13 16-11	Washer 13/32 x 1 x 11 Ga.

KEY NO.	PART NO.	DESCRIPTION
20	532 10 92-28	Lever, Lock, Handle
21	532 18 16-42	Handle
23	532 08 67-77	Screw Hex Wsh Slit #10-24 x .50
24	532 00 94-84	Clip
26	532 15 92-31	Cable, Clutch
27	873 90 04-00	Nut Hex Flange 1/4-20 UNC
29	873 73 10-00	Nut, Keps #10-24 UNC
30	532 10 41-64	Tie, Cable
31	532 15 06-96	Bolt, Pivot
33	872 14 04-04	Bolt, Carriage 1/4-20 UNC x 1/2
37	532 10 26-04	Grip, Bar, Control
41	532 10 27-44	Clamp, Bar, Control

**NOTE:** All component dimensions given in U.S. inches.  
1 inch = 25.4 mm

# REPAIR PARTS

## TILLER - - MODEL NUMBER RT5 (JRT5S) PRODUCT NO. 954 13 00-57 MAINFRAME, LEFT SIDE



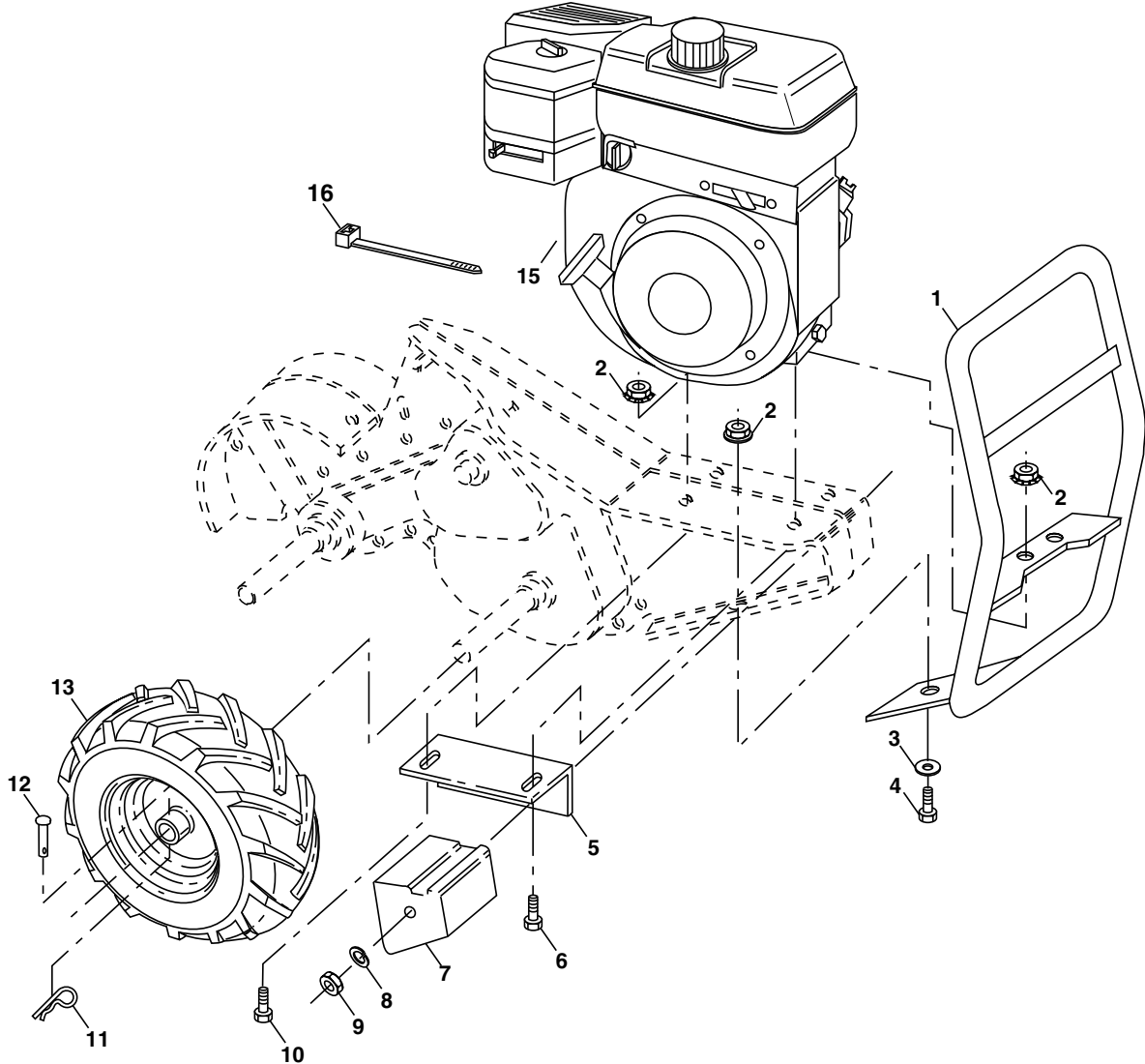
KEY NO.	PART NO.	DESCRIPTION
1	8735105-00	Nut, Keps 5/16-18
2	8100406-00	Washer, Lock 3/8
3	8732206-00	Nut, Hex 3/8-16
4	5321701-27	Shield, Guard Belt
5	5321547-34	Screw, Shift Lever
6	5321101-11	Lever, Shift
7	8721104-04	Bolt, Carriage 1/4-20 x 1/2 Gr. 5
8	5320087-00	Plate, Shift Indicator
9	5320867-77	Screw, Hex, Washer Head, Slotted #10-24 x 1/2
10	5320094-84	Clip
11	8100404-00	Washer, Lock 1/4
12	8732204-00	Nut, Hex 1/4-20
13	8232305-06	Screw, Set, Hex 5/16-18 x 3/8
14	5321561-17	Spacer, Split 0.327 x 0.42 x 1.220
15	8191111-16	Washer 11/32 x 11/16 x 16 Ga.
16	5321451-02	Sheave, Transmission
19	8120000-28	Ring, Retainer
21	5321106-52	Spacer, Split 0.327 x 0.42 x 2.09
22	8747705-08	Bolt, Fin Hex 5/16-24 x 1/2
23	5320050-15	Tire
	5321243-66	Rim
	5321247-18	Tire Valve
24	5321268-75	Rivet, Drilled
25	5321247-88	Clip, Hairpin

KEY NO.	PART NO.	DESCRIPTION
26	5321674-88	Guard, Belt
27	5321328-01	Belt, V
28	5321046-79	Pulley, Idler
29	8120000-32	Ring, Klip
30	5321592-29	Bracket, Idler
31	5321023-84	Bolt, Hex 5/16-16 x 12
32	5321021-41	Shaft, Idler Arm
33	8747606-16	Bolt, Hex 3/8-16 x 1
34	5321023-83	Counterweight, L. H.
35	8747605-32	Bolt, Hex 5/16-18 x 2
36	5321023-31	Bracket, Reinforcement, L. H.
37	5321308-12	Sheave, Engine
38	8747605-44	Bolt, Fin Hex 5/16-18 x 2-3/4
39	5321400-62	Cap Plunger
40	5321704-88	Screw Hex Wsh Slit #10-24 x .50
43	5320691-80	Nut, Lock #10-24
44	8738005-00	Nut Lock 5/16-18 UNC
65	8739705-00	Nut Lock Hex Flange

**NOTE:** All component dimensions given in U.S. inches.  
1 inch = 25.4 mm

# REPAIR PARTS

TILLER - - MODEL NUMBER RT5 (JRT5S) PRODUCT NO. 954 13 00-57  
 MAINFRAME, RIGHT SIDE



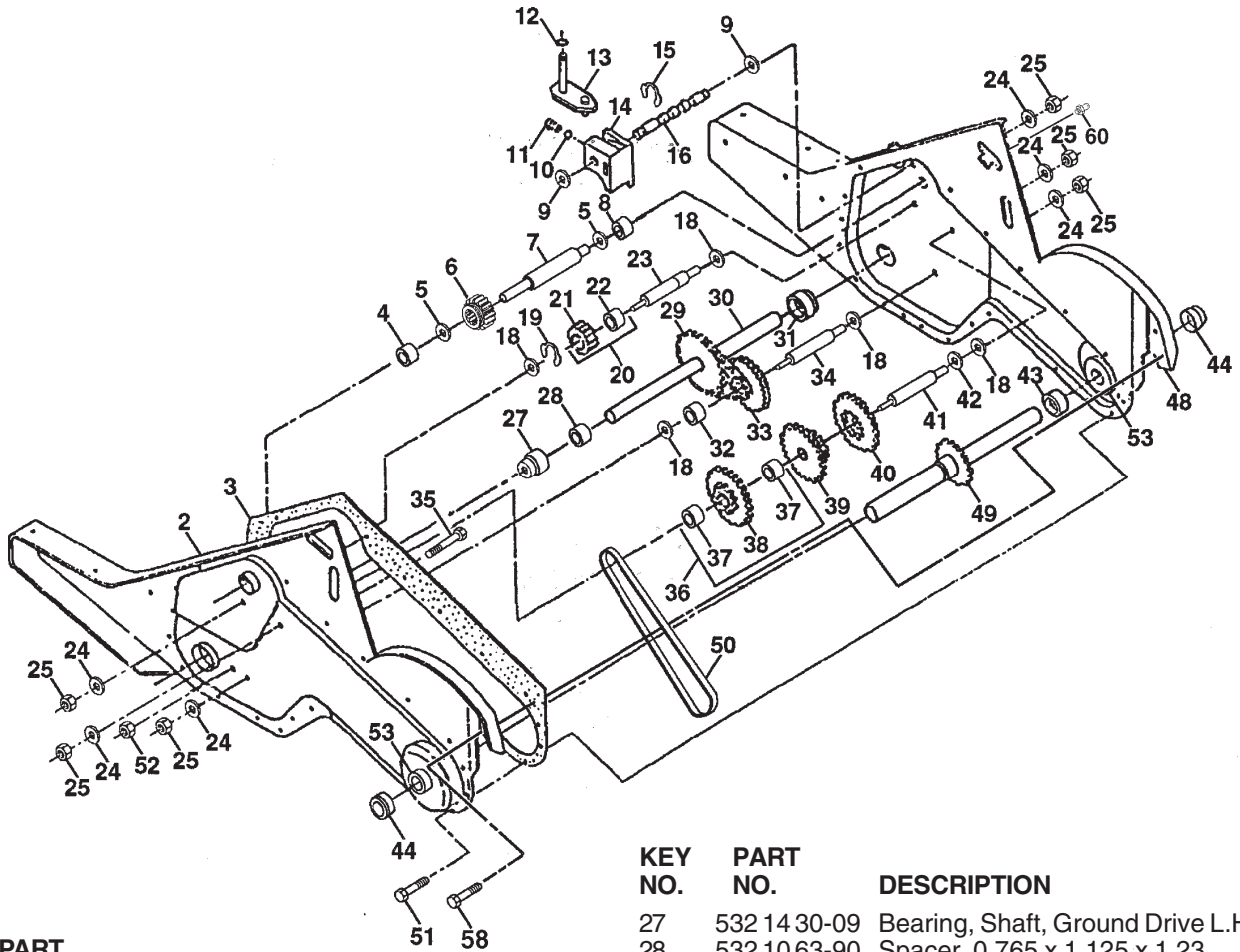
KEY NO.	PART NO.	DESCRIPTION
1	532 16 65-32	Bumper
2	87397 05-00	Nut, Lock Hex Flange
3	819 11 11-16	Washer 11/32 x 11/16 x 16 Ga.
4	874 76 05-12	Bolt Hex Hd 5/16-18 x 3/4
5	532 10 23-32	Bracket, Reinforcement
6	874 76 05-32	Bolt, Hex 5/16-18 x 2
7	532 10 21-73	CounterWeight, R.H.
8	810 04 06-00	Washer, Lock 3/8
9	873 22 06-00	Nut, Hex 3/8-16
10	874 76 05-24	Bolt, Hex 5/16-18 x 1-1/2
11	532 12 47-88	Clip, Hairpin
12	532 12 68-75	Rivet, Drilled

KEY NO.	PART NO.	DESCRIPTION
13	532 00 50-15	Tire
	532 12 43-66	Rim
	532 12 47-18	Tire Valve
15	-----	Engine, Briggs & Stratton Model No. 120402 (Oder parts from engine manufacturer)
16	532 12 47-56	Tie, Cable

**NOTE:** All component dimensions given in U.S.inches.  
 1 inch = 25.4 mm

# REPAIR PARTS

TILLER - - MODEL NUMBER RT5 (JRT5S) PRODUCT NO. 954 13 00-57  
TRANSMISSION



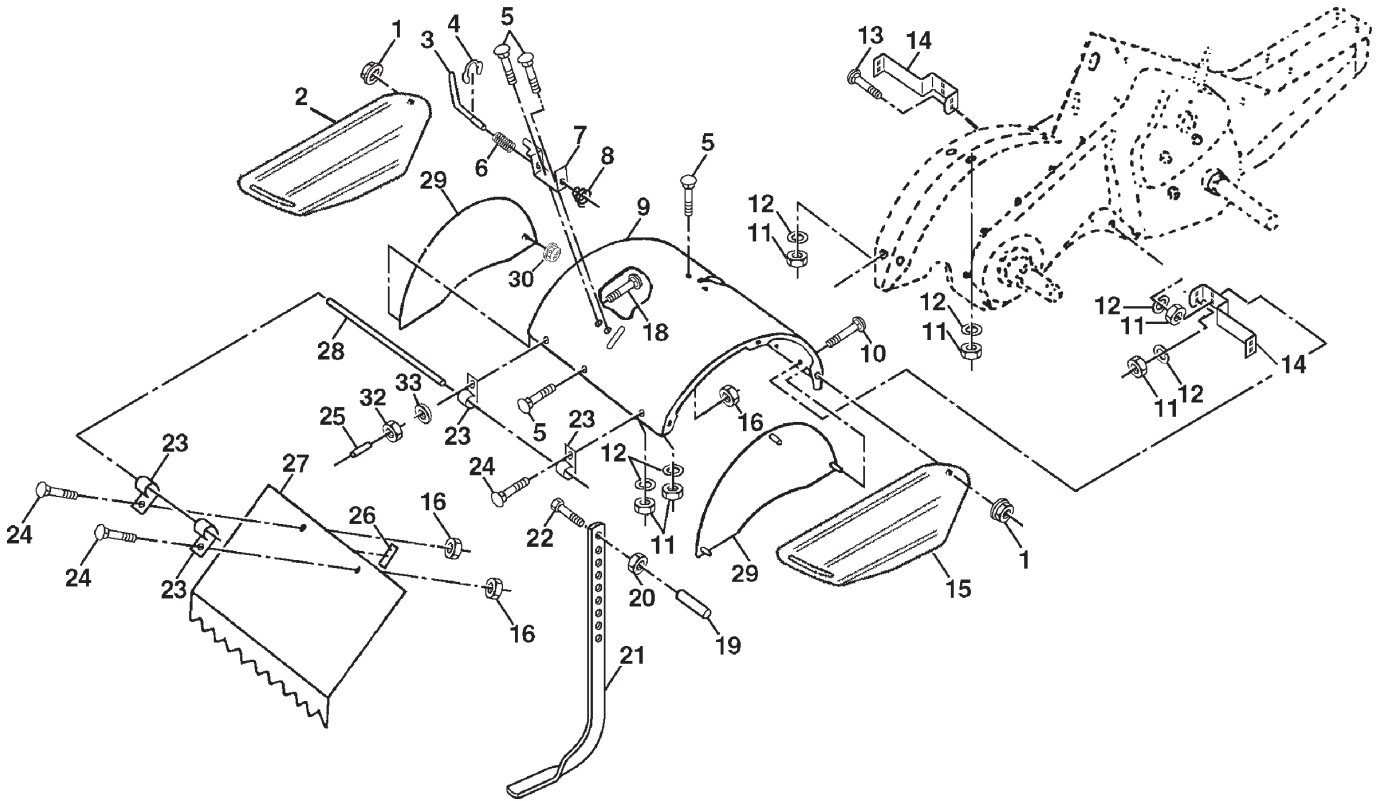
KEY NO.	PART NO.	DESCRIPTION
1	532 18 06-77	Transmission Assembly (Includes Key Nos. 2-53)
2	532 18 06-27	Gearcase, L.H. w/Bearing (Includes Key No. 4)
3	532 16 19-63	Gasket, Gearcase
4	532 00 50-20	Bearing, Needle
5	532 00 13-70	Washer, Thrust 5/8 x 1.10 x 1/32
6	532 13 73-35	Pinion, Input
7	532 14 51-01	Shaft, Input
8	532 12 47-92	Bearing, Needle
9	532 15 44-67	Washer, Seal
10	532 12 46-97	Ball, Steel
11	532 10 03-71	Spring, Shift, Fork
12	532 10 61-60	O-Ring
13	532 14 21-45	Bracket, Asm. Shift CRT
14	532 00 83-53	Fork, Shift
15	812 00 00-39	Ring, Klip
16	532 15 44-66	Shaft, Shift
18	532 00 43-58	Washer
19	812 00 00-40	Ring, Klip
20	532 10 21-14	Gear, Assembly, Reverse Idler (Includes Key Nos. 21 and 22)
21	532 10 21-15	Gear, Reverse Idler
22	532 00 68-03	Bearing, Needle
23	532 10 21-11	Shaft, Reverse Idler
24	810 04 07-00	Washer, Lock 7/16
25	873 61 07-00	Nut, Hex 7/16-20

KEY NO.	PART NO.	DESCRIPTION
27	532 14 30-09	Bearing, Shaft, Ground Drive L.H.
28	532 10 63-90	Spacer 0.765 x 1.125 x 1.23
29	532 10 21-34	Chain #35-50 Pitch
30	532 15 07-37	Ground Shaft Assembly
31	532 14 30-08	Bearing, Shaft, Ground Drive R.H.
32	532 10 63-88	Spacer 0.70 x 1.00 x 1.150
33	532 10 21-21	Sprocket and Gear Assembly
34	532 10 21-12	Shaft, Reduction (2nd)
35	532 10 21-01	Screw, Whiz, Lock 5/16-18 x 3-1/2
36	532 15 43-55	Sprocket Assembly w/Bearing (Includes Key Nos. 37 and 38)
37	532 12 47-91	Bearing, Needle
38	532 15 43-56	Sprocket, Tine
39	532 10 53-45	Gear, Cluster, Red 1st & 2nd
40	532 10 53-46	Gear, Reverse
41	532 00 83-58	Shaft, Reduction (1st)
42	532 00 42-20	Washer, Thrust
43	532 10 61-46	Spacer 1.01 x 1.75 x 0.760
44	532 15 52-36	Seal, Asm Oil
48	532 18 06-31	Gearcase, R.H. w/Bearing (Includes Key No. 8)
49	532 13 26-88	Shaft, Tine
50	532 10 61-47	Chain, Roller #50-50 Pitch
51	817 72 04-08	Screw, Thd Cut 1/4-20 x 1/2
52	873 22 05-00	Nut, Hex 5/16-18
53	532 16 51-40	Kit Bearing
58	532 17 95-20	bolt Shoulder 1/4-20 x .875
60	532 00 68-55	Fitting Grease
--	532 00 60-66	Grease, Plastilube #1

**NOTE:** All component dimensions given in U.S. inches.  
1 inch = 25.4 mm

# REPAIR PARTS

TILLER - - MODEL NUMBER RT5 (JRT5S) PRODUCT NO. 954 13 00-57  
TINE SHIELD



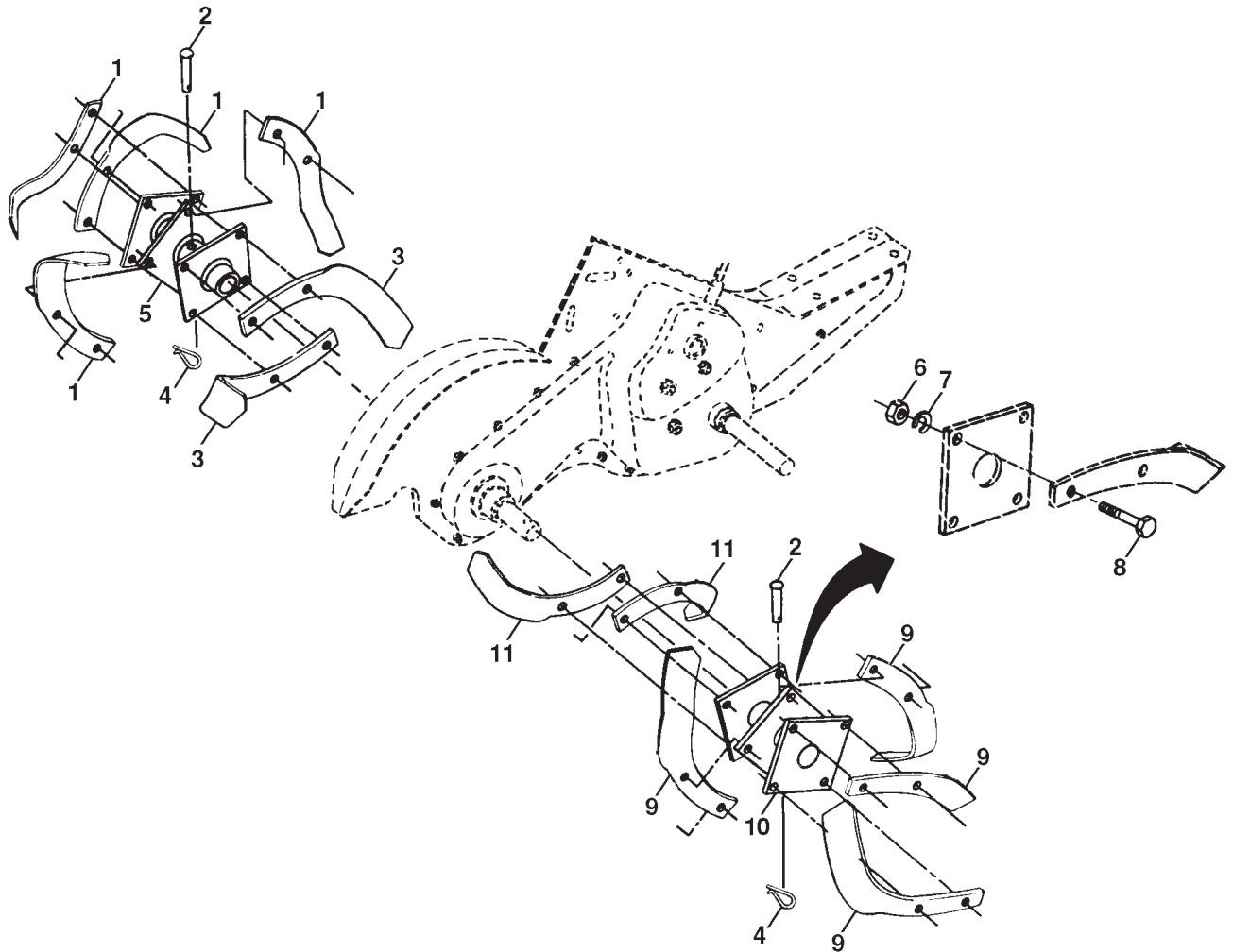
KEY NO.	PART NO.	DESCRIPTION
1	8739005-00	Nut, Flange 5/16-18
2	5321640-62	Shield, Side, Outer L. H.
3	5320083-93	Pin, Stake, Depth
4	8120000-35	Ring, Klip
5	8721405-06	Bolt, Carriage 5/16-18 x 3/4 Gr 5
6	5320083-94	Spring
7	5320083-92	Bracket, Latch
8	5321092-30	Spring, Depth Stake
9	5321420-36	Shield, Tine
10	8721405-08	Bolt, Carriage 5/16-18 x 1
11	8732205-00	Nut, Hex 5/16-18
12	8100405-00	Washer, Lock 5/16
13	8721105-10	Bolt, Carriage 5/16-18 x 1-1/4
14	5321243-11	Bracket, Shield Tine
15	5321640-61	Shield, Side, Outer R.H.
16	8739004-00	Nut Hex Flange 1/4-20
18	8720404-10	Bolt, Carriage 1/4-20 x 1-1/4 Gr. 5

KEY NO.	PART NO.	DESCRIPTION
19	5321027-01	Grip
20	8732206-00	Nut, Hex 3/8-16
21	5321021-56	Stake, Depth
22	8749306-32	Bolt, Hex 3/8-16 x 2
23	5320044-40	Hinge
24	8721404-04	Bolt, Carriage 1/4-20 x 1/2 Gr. 5
25	5321247-17	Cap, Vinyl
26	5321092-27	Pad, Idler
27	5321254-10	Shield, Leveling
28	5321205-88	Pin, Hinge
29	5321420-37	Shield, Side
30	8739705-00	Nut, Lock Hx Flange
32	8732204-00	Nut Fin Hex 1/4-20 UNC
33	8100404-00	Washer Lock Hvy Hcl 1/4

**NOTE:** All component dimensions given in U.S. inches.  
1 inch = 25.4 mm

# REPAIR PARTS

TILLER - - MODEL NUMBER RT5 (JRT5S) PRODUCT NO. 954 13 00-57  
TINE ASSEMBLY



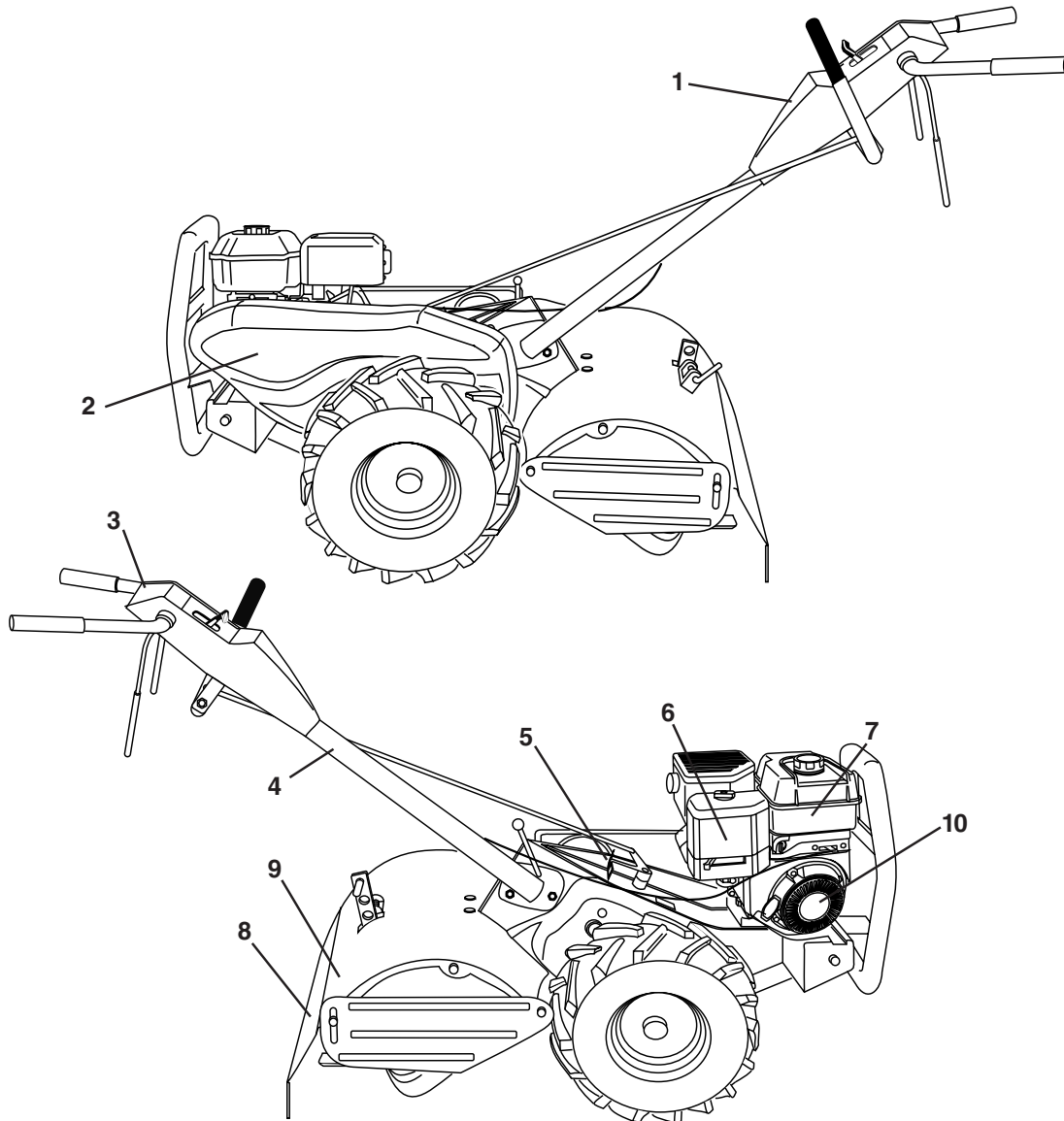
KEY NO.	PART NO.	DESCRIPTION
1	532 00 44-59	Tine, Outer, L.H.
2	532 13 26-73	Clevis Pin
3	532 00 65-54	Tine, Inner, L.H.
4	532 12 46-60	Retainer Spring
5	532 13 27-27	Assembly, Hub and Plate, L.H.
6	873 61 06-00	Nut, Hex 3/8-24
7	810 04 06-00	Washer, Lock 3/8

KEY NO.	PART NO.	DESCRIPTION
8	874 61 06-16	Bolt, Hex 3/8-24 x 1
9	532 00 44-60	Tine, Outer, R.H.
10	532 13 27-28	Assembly, Hub and Plate, R.H.
11	532 00 65-55	Tine, Inner, R.H.

**NOTE:** All component dimensions given in U.S. inches.  
1 inch = 25.4 mm

# REPAIR PARTS

TILLER - - MODEL NUMBER RT5 (JRT5S) PRODUCT NO. 954 13 00-57  
DECALS



KEY NO.	PART NO.	DESCRIPTION
1	532 14 19-46	Decal, Logo
2	532 17 07-54	Decal, Belt Guard
3	532 18 08-24	Decal, Instruction, Tilling
4	532 15 98-77	Decal, Hand Placement
5	532 10 21-80	Decal, Shift Indicator
6	532 17 56-43	Decal, Caution
7	532 17 10-77	Decal 5 HP
8	532 17 65-57	Decal, Warning, Rotating Tines
9	532 14 54-37	Decal, Europe Stand CE
10	532 17 10-78	Decal Recoil
--	532 18 05-89	Manual, Operator's (Euro.)
--	532 18 05-90	Manual, Operator's (Scan.)