

# LT17 A

**Spare parts**

**Ersatzteile**

**Pièces détachées**

**Reserve onderdelen**

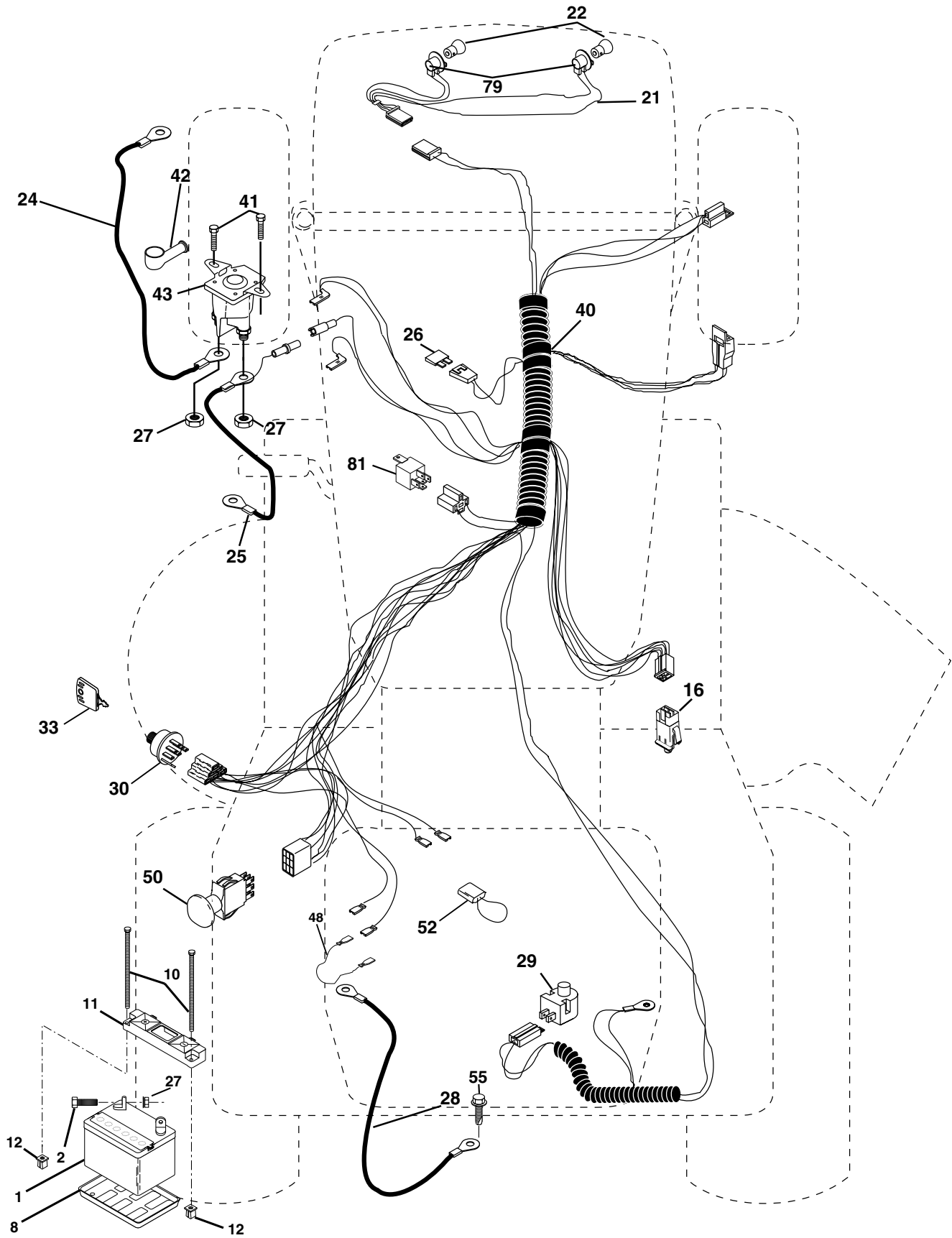
**Repuestos**

**Reservdelar**

# REPAIR PARTS

TRACTOR - MODEL NO. LT17A (JLT17H42A), PRODUCT NO. 954 13 00-62

## ELECTRICAL



# REPAIR PARTS

TRACTOR - MODEL NO. LT17A (JLT17H42A), PRODUCT NO. 954 13 00-62

## ELECTRICAL

KEY NO.	PART NO.	DESCRIPTION
1	532 16 34-65	Battery
2	874 76 04-12	Bolt Hex Hd 1/4-20unc X 3/4
8	532 12 48-86	Tray Battery 7.80 x 5.25
10	532 14 52-11	Bolt Btr Frt 1/4-20 x 7.5
11	532 15 01-09	Holddown Battery Front
12	532 14 57-69	Nut Push Nylon 1/4
16	532 17 61-38	Switch Interlock Push-In
21	<b>532 17 56-88</b>	Harness Asm Light W/4152J
22	532 00 41-52	Bulb Light #1156
24	532 00 88-60	Cable Battery 6 Ga 11"red
25	532 14 61-48	Cable Battery 6 Ga W/16 Ga Wire 44"
26	532 17 51-58	Fuse 20 AMP
27	873 51 04-00	Nut Keps Hex 1/4-20 UNC
28	532 14 54-91	Cable Ground
29	532 16 07-84	Switch Plunger Normal Op Olive
30	532 17 55-66	Switch Ignition Delta Push-In
33	532 14 04-01	Key Ign Molded Generic Delta
40	532 17 97-35	Harness Ign.
41	817 72 04-08	Screw Thd Cut 1/4-20 x 1/2
42	532 13 15-63	Cover Terminal Red
43	532 17 88-61	Solenoid
48	532 14 08-44	Adapter Ammeter
50	532 17 46-51	Switch PTO
55	817 49 05-08	Screw Thdrol 5/16-18 x 1/2
52	532 14 19-40	Protection Wire Loop
79	<b>532 17 52-42</b>	Bulb Holder Asm
81	532 10 97-48	Relay Asm

**NOTE:** All component dimensions given in U.S. inches  
1 inch = 25.4 mm.



# REPAIR PARTS

TRACTOR - MODEL NO. LT17A (JLT17H42A), PRODUCT NO. 954 13 00-62

## CHASSIS AND ENCLOSURES

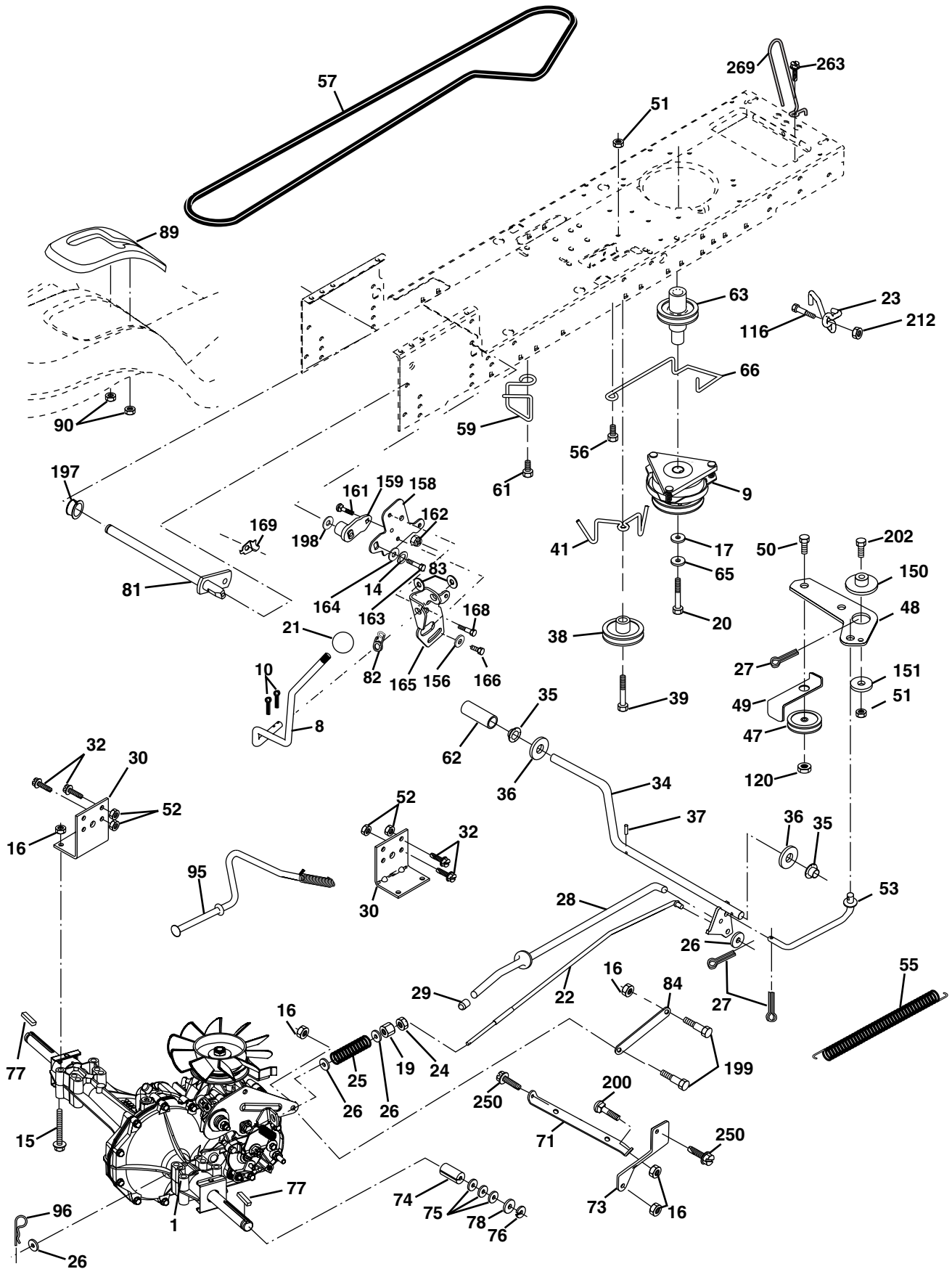
KEY NO.	PART NO.	DESCRIPTION
1	532 17 46-19	Chassis Wldmt.
2	532 17 65-54	Drawbar 12 Ga
3	817 06 06-12	Screw 3/8-16 x .75 SMGML Tap/R.Z
9	<b>532 17 71-44</b>	Dash
10	872 14 06-08	Bolt RdHd Sqnk. 3/8-16 x 1
11	532 16 72-03	Panel Asm. Dash Lh
13	<b>532 17 82-98</b>	Panel Dash Rh
14	817 49 06-08	Screw Thdrol 3/8-16 x 1/2
17	532 18 13-51	Hood Pnt
20	532 16 20-26	Plate Mtg Battery
26	873 80 06-00	Nut Lock Hex w/Ins 3/8-16 Unc
28	532 18 13-52	Grill w/Clips
29	<b>532 16 18-40</b>	Lens Bar Stealth YTGT Clear
30	532 18 13-53	Fender /Ftrest Pnt STL
31	532 13 99-76	Bracket Fender
37	817 49 05-08	Screw Thdrol 5/16-18 x 1/2
38	532 17 57-10	Bracket Asm. Pvt. Mwr. Rear
54	532 16 14-64	Screw Hex Wshd 8-18 x 7/8
58	532 17 53-51	Duct Air
59	532 17 75-79	Bushing Snap Split
60	872 14 06-06	Bolt Rdhd Sqnk 3/8-16 UNC x 3/4
64	532 17 49-97	Dash Lower
74	873 68 06-00	Nut, Crownlock 3/8-16 UNC
142	532 17 57-02	Plate Reinforcement STLT
143	532 15 49-66	Bracket Sway Bar
144	532 17 55-82	Bracket Footrest STLT
145	532 15 65-24	Rod Pivot Chassis/Hood
154	532 16 18-97	Bracket Dash STL RH
155	532 16 19-00	Bracket Dash STL LH
156	532 16 38-05	Striker Plate Stealth
157	532 16 38-06	Magnet Stealth
158	532 16 20-37	Bracket Parking Brake
159	532 18 13-55	Cupholder
161	532 16 46-55	Extrusion Bumper
166	532 16 48-63	Screw HWHD Hi Lo 13-16 x 3/4
206	532 17 01-65	Bolt Shoulder 5/16-18
209	817 00 06-12	Screw Hexwsh Thdr 3/8-16 x 3/4

**NOTE:** All component dimensions given in U. S. inches  
1 inch = 25.4 mm

# REPAIR PARTS

TRACTOR - MODEL NO. LT17A (JLT17H42A), PRODUCT NO. 954 13 00-62

## DRIVE



# REPAIR PARTS

TRACTOR - MODEL NO. LT17A (JLT17H42A), PRODUCT NO. 954 13 00-62

## DRIVE

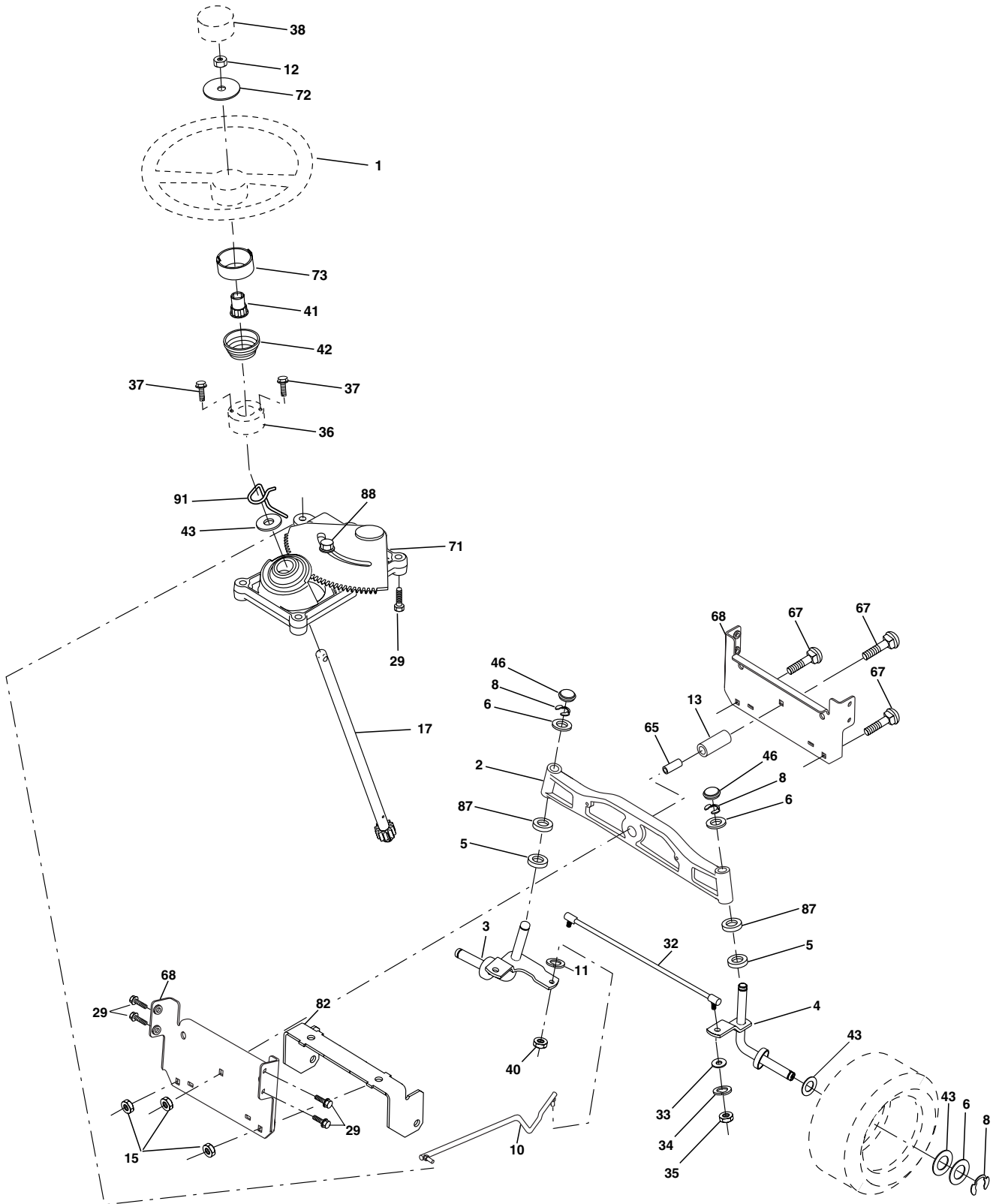
KEY NO.	PART NO.	DESCRIPTION	KEY NO.	PART NO.	DESCRIPTION
1	-----	Transaxle Hydro Gear 314-0510 Order parts from transaxle manufacturer	62	532 12 48-72	Cover, Pedal
8	532 16 58-66	Rod Shift Fender	63	<b>532 17 46-07</b>	Pulley, Engine
9	<b>532 18 02-20</b>	Clutch Electric	65	810 04 07-00	Washer
10	876 02 04-16	Pin Cotter 1/8 x 1 CAD	66	532 15 47-78	Keeper Belt Engine Hydro
14	810 04 04-00	Washer Lock Hvy Helical	71	532 16 91-83	Strap Torque Lh Hydro
15	874 49 05-44	Bolt Hex Flghd. 5/16-18 Gr.5	73	532 16 91-82	Strap Torque Rh Hydro
16	873 80 05-00	Nut Lock Hex W/Ins. 5/16-18 Unc P	74	532 13 70-57	Spacer, Axle
17	<b>532 12 61-97</b>	Washer 1-1/2 OD x 15/32 ID x .250	75	532 12 17-49	Washer 25/32 x 1-1/4 x 16 Ga.
19	873 80 06-00	Nut Lock Hex W/Wsh 3/8-16 Unc	76	812 00 00-01	E-Ring
20	<b>532 17 39-37</b>	Bolt, Hex 7/16-20 x 4 x Gr. 5-1.5	77	532 12 35-83	Key, Square
21	532 13 05-64	Knob Deluxe	78	532 12 17-48	Washer 25/32 x 1-5/8 x 16 Ga.
22	532 16 94-98	Rod, Brake Hydro	81	532 16 55-96	Shaft Asm Cross Tapered 510 20"
23	<b>532 17 82-89</b>	Bracket Asm Anti Rot	82	532 16 57-11	Spring Torsion T/A
24	873 35 06-00	Locknut	83	819 17 12-16	Washer 17/32 x 3/4 x 16 Ga.
25	532 10 68-88	Spring, Brake Rod	84	532 16 95-94	Link Transaxle HB-0510
26	819 13 13-16	Washer	89	532 16 66-02	Console, Shift
27	876 02 04-12	Pin Cotter 1/8 x 3/4 CAD.	90	532 12 43-46	Nut, Self Thd Wsh Hd 1/4 Zinc
28	532 17 57-65	Rod, Parking Brake	95	532 17 02-01	Control Asm. Bypass Hydro
29	532 07 16-73	Cap, Parking Brake	96	532 12 47-88	Retainer Spring 1" Zinc/Cad
30	532 16 95-92	Bracket, Transaxle	116	<b>872 14 06-08</b>	Bolt RdHd Sqnk 3/8-16 Unc x 1
32	874 76 05-12	Bolt Hex Hd 5/16-18 Unc x 3/4	120	873 90 06-00	Nut Lock Flg 3/8-16
34	532 17 55-78	Shaft, Foot Pedal	150	532 17 54-56	Spacer Retainer
35	532 12 01-83	Bearing, Nylon	151	819 13 32-10	Washer 13/32 x 2 x 10 Ga.
36	819 21 16-16	Washer	156	532 16 60-02	Washer Srrted 5/16ID x 1.125
37	532 12 49-63	Pin, Roll	158	532 16 55-89	Bracket Shift Mount
38	532 17 91-14	Pulley, Composite, Flat	159	532 16 54-94	Hub Tapered Flange Shift Lt
39	874 76 06-48	Bolt Fin Hex 3/8-16 x 3	161	872 14 04-06	Bolt Rdhd Sqnk 1/4-20 x 3/4 Gr 5
41	532 17 55-56	Keeper, Belt Idler Flat	162	873 68 04-00	Nut Crownlock 1/4-20 Unc
47	532 12 77-83	Pulley, Idler, V-Groove	163	874 78 04-16	Bolt Hex Fin 1/4-20 Unc x 1 Gr 5
48	532 15 44-07	Bellcrank Grnd Clutch	164	819 09 10-10	Washer 5/8 x .281 x 10 Ga
49	532 12 32-05	Retainer, Belt	165	532 16 56-23	Bracket Pivot Lever
50	<b>872 11 06-12</b>	Bolt Carr. Sh. 3/8-16 x 1-1/2 Gr. 5	166	532 16 68-80	Screw 5/16-18 x 5/8
51	873 68 06-00	Nut	168	532 16 54-92	Bolt Shoulxder 5/16-18 x .561
52	873 68 05-00	Nut Crown Lock 5/16-18	169	532 16 55-80	Plate Fasteneing Lt
53	532 10 57-10	Link, Clutch	197	532 16 96-13	Nylinder Snap-In
55	532 10 57-09	Spring, Return, Clutch	198	532 16 95-93	Washer Nyl. 7/8 ID x .105"
56	817 06 06-20	Screw 3/8-16 x 1-1/4	199	532 16 96-12	Bolt Shoulder 5/16-18
57	532 14 02-94	V-Belt, Ground Drive	200	872 14 05-08	Bolt Rdhd Sqnk 5/16-18 x 1
59	532 16 96-91	Keeper, Center Span	202	872 11 06-14	Bolt Carr Sh 3/8-16 x 1-3/4 Gr 5
61	817 12 06-14	Screw 3/8-16 x .75 SMGML Tap/R.Z	212	<b>532 14 52-12</b>	Nut Hex Flange Lock
			250	817 06 06-12	Screw 3/8-16 x .75
			263	<b>817 00 06-12</b>	Screw Hex Wsh Thdr 3/8-16 x 3/4
			269	<b>532 18 24-02</b>	Guard Muffler OHV B&S RH

**NOTE:** All component dimensions given in U.S. inches  
1 inch = 25.4 mm.

# REPAIR PARTS

TRACTOR - MODEL NO. LT17A (JLT17H42A), PRODUCT NO. 954 13 00-62

## STEERING ASSEMBLY





# REPAIR PARTS

TRACTOR - MODEL NO. LT17A (JLT17H42A), PRODUCT NO. 954 13 00-62

## STEERING ASSEMBLY

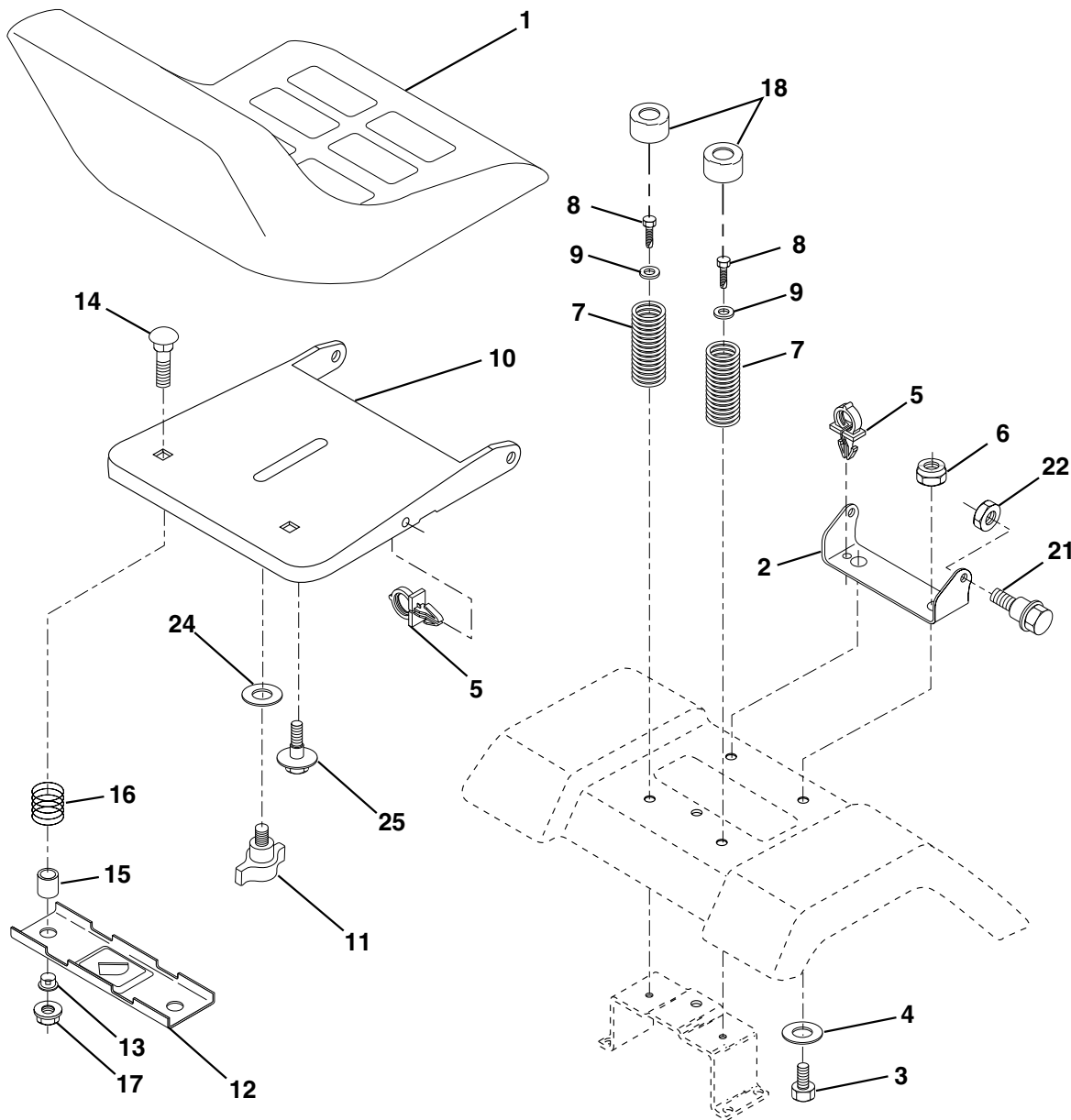
KEY NO.	PART NO.	DESCRIPTION
1	532 17 20-92	Wheel Steering
2	532 17 23-93	Axle Front Cast Iron
3	532 16 98-40	Spindle Asm LH
4	532 16 98-39	Spindle Asm Stmp RH
5	532 12 49-31	Bearing Race Thrust Harden
6	532 12 17-48	Washer 25/32 X 1-5/8 X 16 Ga
8	812 00 00-29	Ring Klip #t5304-75
10	532 17 51-21	Link Drag
11	810 04 06-00	Washer Lock Hvy Hlcl Spr 3/8
12	873 94 08-00	Nut Hex Jam Top Lock 1/2-20
13	532 13 65-18	Spacer Bearing Axle Front
15	532 14 52-12	Nut Hex Flange Lock
17	532 17 78-83	Shaft Asm Strg
29	817 06 06-12	Screw 3/8-16 x .75 SMGML
32	532 17 18-88	Rod Asm Tie Ball J Solid
33	819 11 12-16	Washer 11/32 x 3/4 x 16 Ga.
34	810 04 05-00	Washer Lock Hvy HLCL Spr. 5/16
35	873 54 05-00	Nut Crown Lock 5/16-24
36	532 15 51-05	Bushing Strg
37	532 15 29-27	Screw TT #32.5 x 5 x 3/8 Flange
38	532 17 20-93	Cap Wheel Steer
40	532 12 47-01	Nut Lock Center 3/8-24 Unf
41	532 15 99-45	Adaptor Wheel Strg
42	532 17 71-49	Boot Dash Steering
43	532 12 17-49	Washer 25/32 X 1 1/4 X 16 Ga
46	532 12 12-32	Cap Spindle Fr Top Blk
65	532 16 03-67	Spacer
67	872 14 06-18	Bolt Rdhd Sqnk 3/8-16 x 2-1/4
68	532 16 98-27	Brace, Axle
71	532 17 51-46	Steering Asm
72	819 18 24-11	Washer 9/16 x 1-1/20 D.11G
73	<b>532 18 14-49</b>	Extension Steering
82	532 16 98-35	Bracket Susp Chassis
87	532 17 39-66	Washer Flat .781 x 1-1/2 x .14
88	532 17 51-18	Bolt Shoulder 7/16-20
91	532 17 55-53	Clip Steering

**NOTE:** All component dimensions given in U.S. inches  
1 inch = 25.4 mm.

# REPAIR PARTS

TRACTOR - MODEL NO. LT17A (JLT17H42A), PRODUCT NO. 954 13 00-62

## SEAT ASSEMBLY



KEY NO.	PART NO.	DESCRIPTION
1	532 14 01-18	Seat
2	532 14 05-51	Bracket Pivot Seat 8 720
3	871 11 06-16	Bolt Hex 3/8-16unc x 1
4	819 13 16-10	Washer 13/32 X 1 X 10 Ga
5	532 14 50-06	Clip Push-In Hinged
6	873 80 06-00	Nut Lock Hex w/Ins. 3/8-16 Unc
7	532 12 41-81	Spring Seat Cprsn 2 250 Blk Zi
8	817 00 06-16	Screw 3/8-16 X 1.5 SMGML
9	819 13 16-14	Washer 13/32 X 1 X 14 Ga
10	<b>532 18 24-93</b>	Pan Seat
11	532 16 63-69	Knob Seat Adj Wingnut
12	532 12 12-46	Bracket Mounting Switch

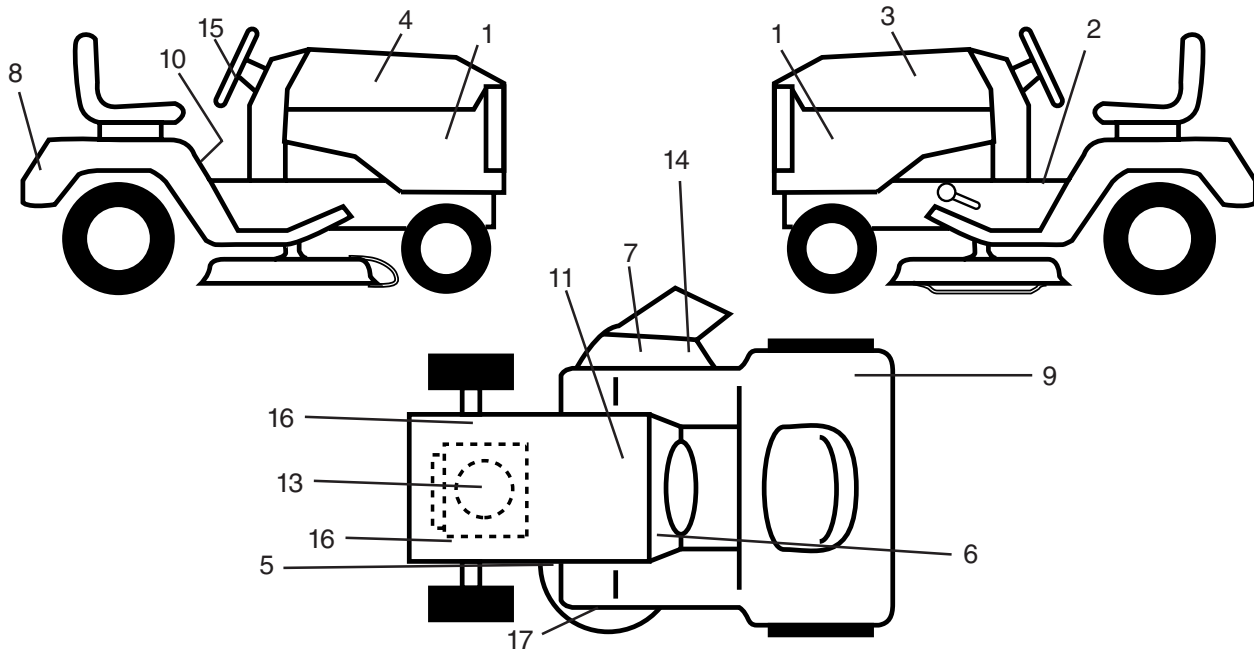
KEY NO.	PART NO.	DESCRIPTION
13	532 12 12-48	Bushing Snap Blk Nyl 50 Id
14	872 05 04-12	Bolt Rdhd Sht Nk 1/4-20x1-1/2
15	532 12 12-49	Spacer Split 28x 88 Zinc
16	532 12 37-40	Spring Cprsn 1 310 Blk Pnt
17	532 12 39-76	Nut Lock 1/4 Lge Flg Gr 5 Zinc
18	532 12 42-38	Cap Spring Seat
21	532 17 18-52	Bolt Shoulder 5/16-18 Unc-2A
22	873 80 05-00	Nut Lock 5/16-18
24	819 17 19-12	Washer 17/32 X 1-3/16 X 12 Ga
25	532 12 70-18	Bolt Shoulder 5/16-18 X 62

**NOTE:** All component dimensions given in U.S. inches  
1 inch = 25.4 mm.

# REPAIR PARTS

TRACTOR - MODEL NO. LT17A (JLT17H42A), PRODUCT NO. 954 13 00-62

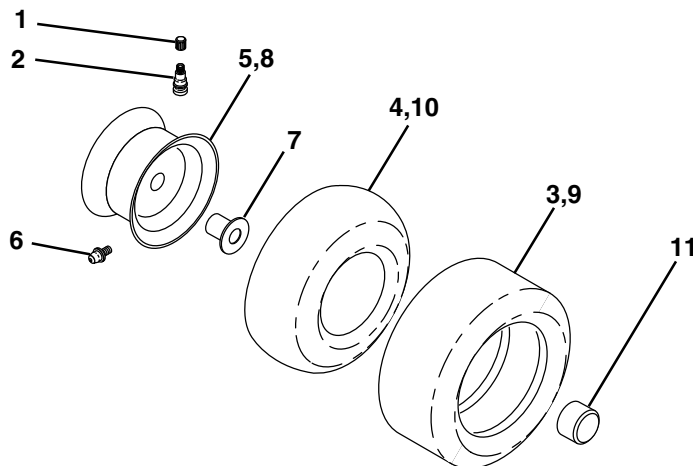
## DECALS



KEY NO.	PART NO.	DESCRIPTION
1	532 1629-27	Decal Hood Insert B&S White
2	532 1408-37	Decal, Brake Parking Sandle
3	532 1796-38	Decal, Hood, L. H.
4	532 1796-37	Decal, Hood, R.H.
5	532 1603-96	Decal, V-Belt Sch.
6	532 1769-09	Decal, Dash
7	<b>532 1821-66</b>	Decal, Mower Cutfinger CE.02
8	532 1417-61	Decal, Logo, Fender
9	<b>532 1804-32</b>	Decal, 100 DB/CE
10	532 1454-98	Decal, Read Owners Manual
11	532 1450-05	Decal, Bat Dan/Poi P/L Sym
13	532 1806-62	Decal Engine

KEY NO.	PART NO.	DESCRIPTION
14	532 1791-28	Decal, Deck "B" 42"
15	532 1705-65	Decal, Logo Steering Wheel Cap
16	532 1597-36	Decal, Chassis Hot Muffler
17	532 1597-37	Decal, Brake/Clutch Symbol LT
--	532 1625-98	Decal, Drawbar Load Limit
--	532 1383-11	Decal, Handle Lift Height Adjust. (Lift Handle)
--	532 1692-10	Decal, By-Pass Lt Hydro
--	532 1712-84	Pad, Footrest LH
--	532 1712-85	Pad, Footrest RH
--	532 1800-49	Manual, Operator's (Euro)
--	<b>532 1800-50</b>	Manual, Operators, (Scan)

## WHEELS & TIRES



KEY NO.	PART NO.	DESCRIPTION
1	532 0591-92	Cap Valve Tire
2	532 0651-39	Stem Valve
3	532 1062-22	Tire F Ts 15 X 6 0 - 6 Service
4	532 0599-04	Tube Front (Service Item Only)
5	532 1383-36	Rim Asm 6" front Silver Service
6	532 1249-57	Fitting Grease (Front Wheel Only)
7	532 1249-59	Bearing Flange (Front Wheel Only)
8	532 1383-37	Rim Asm 8" rear Silver Service
9	532 1220-82	Tire R Ts 20x10-8 C Service
10	532 1249-26	Tube Rear (Service Item Only)
11	532 1750-39	Cap Axle Blk 1 50 X 1 00
--	532 1443-34	Sealant, Tire (10 oz. tube)

**NOTE:** All component dimensions given in U.S. inches  
1 inch = 25.4 mm



# REPAIR PARTS

TRACTOR - MODEL NO. LT17A (JLT17H42A), PRODUCT NO. 954 13 00-62

## ENGINE

KEY NO.	PART NO.	DESCRIPTION
1	<b>532 18 38-97</b>	Control Th/ch CB EEC. 428
2	532 16 48-63	Screw HWHD Hi-Lo #13-16 x 3/4
3	-----	Engine Briggs Model No. 31G777 (Order parts from engine manufacturer)
4	532 13 73-52	Muffler LT B&S 14HP Ic/ohv
13	532 16 52-91	Gasket Eng
14	532 14 84-56	Tube Drain Oil Easy
16	811 05 06-00	Washer Lock Ext Tooth 3/8
23	532 16 98-37	Shield Browning/Debris Guard
25	<b>532 18 38-98</b>	Control Choke
26	873 92 06-00	Nut Keps 3/8-24 Unf
29	532 13 71-80	Kit Spark Arrestor
31	532 15 71-03	Tank Fuel
32	532 14 05-27	Cap Asm Fuel Top Vented N/Lang
33	532 12 34-87	Clamp Hose Black
34	532 10 60-82	Pad Spacer 1 x 1 x 1
37	532 14 21-58	Line Fuel
38	532 14 83-15	Plug Drain Oil Easy
39	532 10 92-27	Pad Idler 1.75 x .75 x .06
45	817 00 06-12	Screw 3/8-16 x .75 SMGML
62	810 04 05-00	Washer Lock Hvy Hlcl Spr 5/16
72	871 07 05-12	Screw Hexhd Cap 5/16-18x3/4
78	817 06 06-20	Screw 3/8-16 x 1-1/4 SMGML
81	873 51 04-00	Nut Flange 1/4-20 Starter Nut

**NOTE:** All component dimensions given in U.S. inches  
1 inch = 25.4 mm



# REPAIR PARTS

TRACTOR - MODEL NO. LT17A (JLT17H42A), PRODUCT NO. 954 13 00-62

## MOWER DECK

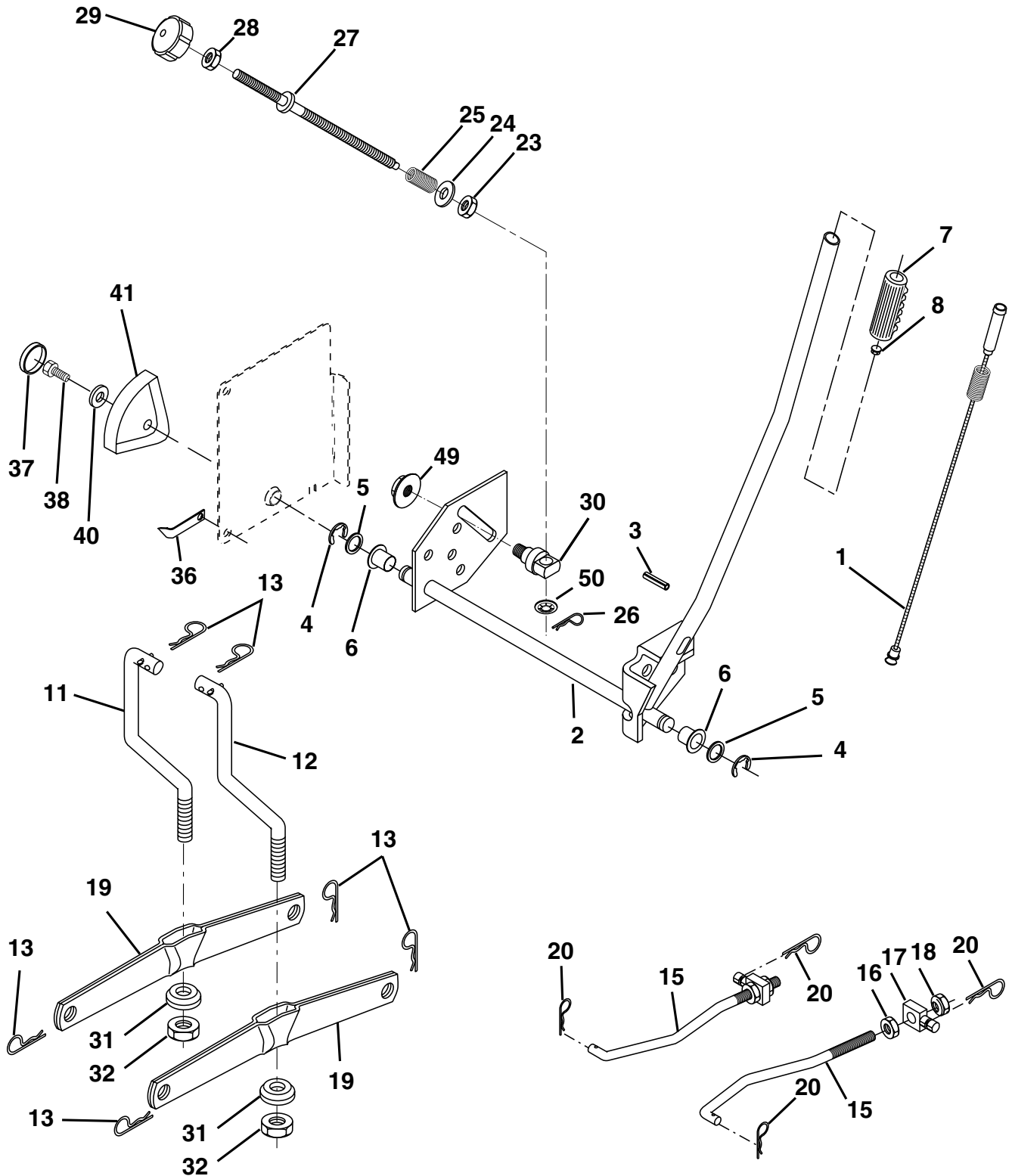
KEY NO.	PART NO.	DESCRIPTION	KEY NO.	PART NO.	DESCRIPTION
1	532 16 58-92	Housing Asm Mower 42"94 T-Path	56	532 16 57-23	Spacer Retainer Mower
2	872 14 05-06	Bolt Rdhd Sqnk 5/16-18unc X3/4	59	532 14 10-43	Guard, Belt
3	532 13 80-17	Bracket Asm Fr Sway Bar 38/42	61	532 17 48-82	Spring Ext. Elect
4	532 16 54-60	Bracket Asm Deck 42"sway Bar	68	<b>532 18 02-60</b>	V-Belt Mower
5	532 12 46-70	Retainer Spring	91	532 18 05-32	Bracket Asm Noseroller LH
6	532 17 80-24	Bar Sway Deck	92	873 80 06-00	Nut Lock Hex w/ins. 3/8-16 UNC
8	532 85 08-57	Bolt 3/8-24x1 25 Gr8 Patched	94	532 13 22-64	Roller Nose 38 & 42
9	810 03 06-00	Washer Lock Hvy 3/8 Unplated	95	532 18 05-33	Bracket Asm Noseroller RH
10	532 14 02-96	Washer Hard Blade Mower Vented	111	532 17 92-92	Bracket Gauge Wheel Lh
11	532 13 84-98	Blade Mower High Lift"	112	532 17 92-93	Bracket Gauge Wheel Rh
13	532 13 76-45	Shaft Asm W/lower Bearing	113	817 06 05-10	Screw 3/8-16 x .625
14	532 12 87-74	Housing Mandrel Vented(machd)	114	873 51 05-00	Nut Keps 5/16-18 UNC
15	532 11 04-85	Bearing Ball Mandrel	115	872 11 05-05	Bolt Carriage 5/16-18unc x 5/8
16	532 17 44-93	Stripper Mower	116	532 12 48-42	Bolt Shoulder
18	872 14 05-05	Bolt Carr 5/16-18 X 5/8	117	532 16 57-46	Wheel Gauge
19	532 13 28-27	Bolt Shoulder	118	873 93 06-00	Nut Centerlock 3/8-16 UNC
20	532 15 97-70	Baffle Vortex 42	119	819 12 14-14	Washer 3/8 x 7/8 x 14 Ga.
21	873 68 05-00	Nut Crown Lock 5/16-18	129	819 13 13-12	Washer 13/32 x 13/16 x 12 Ga.
23	<b>532 17 75-63</b>	Bracket Deflector Mower 42"	130	874 78 06-16	Bolt Fin Hex 3/8-16 UNC x 1 Gr. 5
24	532 10 53-04	Cap Sleeve 80x 112 Blk Mower	131	872 14 06-08	Bolt Rdhd Sqnk 3/8-16 UNC x1
25	532 12 37-13	Spring Torsion Deflector 2 52	132	817 06 06-12	Screw 3/8-16 x .75
26	532 11 04-52	Nut Push Phos & Oil	143	532 15 71-09	Bracket Arm Idler
27	532 17 18-59	Shield Deflector	144	532 15 86-34	Keeper Belt
28	819 11 10-16	Washer 11/32 X 5/8 X 16 Ga	145	532 16 58-88	Pulley Idler Flat
29	532 13 14-91	Rod Hinge 42"6 75 Wlg	146	532 17 19-77	Bolt Carriage Idler
30	<b>532 17 39-84</b>	Screw Thd Rolling Hex	148	532 16 90-22	Spring Return Idler
31	532 12 99-63	Washer Spacer Mower Vented	149	532 16 58-98	Retainer Spring Yellow
32	532 15 35-35	Pulley Mandrel	150	819 09 12-16	Washer 9/32 x 3/4 x 16
33	532 17 83-42	Nut 9/16top Lock Fling Cntr	159	872 14 06-14	Bolt RDHD SQN 3/8-16 x 1-3/4
34	872 11 06-14	Bolt RDHD 3/8-16 x 1-3/4	182	532 17 91-26	Rod Roller Nose Standard
36	532 13 14-94	Pulley Idler Flat 3 060	183	532 16 35-52	Retainer Spring
37	819 13 13-16	Washer 13/32 X 13/16 X 16 Ga	--	<b>532 18 19-62</b>	Replacement Deck, Complete
40	873 68 06-00	Nut Lock 3/8-16 Unc	--	532 13 07-94	Mandrel Assembly (Includes Housing, Shaft and Shaft Hardware Only - Pulley Not Included)
44	532 14 00-88	Guard Mandrel LH Black			
45	532 12 47-88	Retainer Spring			
46	532 13 77-29	Screw Thdrol 1/4-20x5/8			
54	532 13 39-43	Washer Hardened			
55	532 15 50-46	Arm Idler 42"mower LT/YT			

**NOTE:** All component dimensions given in U.S. inches  
1 inch = 25.4 mm

# REPAIR PARTS

TRACTOR - MODEL NO. LT17A (JLT17H42A), PRODUCT NO. 954 13 00-62

## MOWER LIFT





# REPAIR PARTS

TRACTOR - MODEL NO. LT17A (JLT17H42A), PRODUCT NO. 954 13 00-62

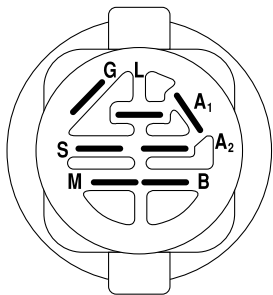
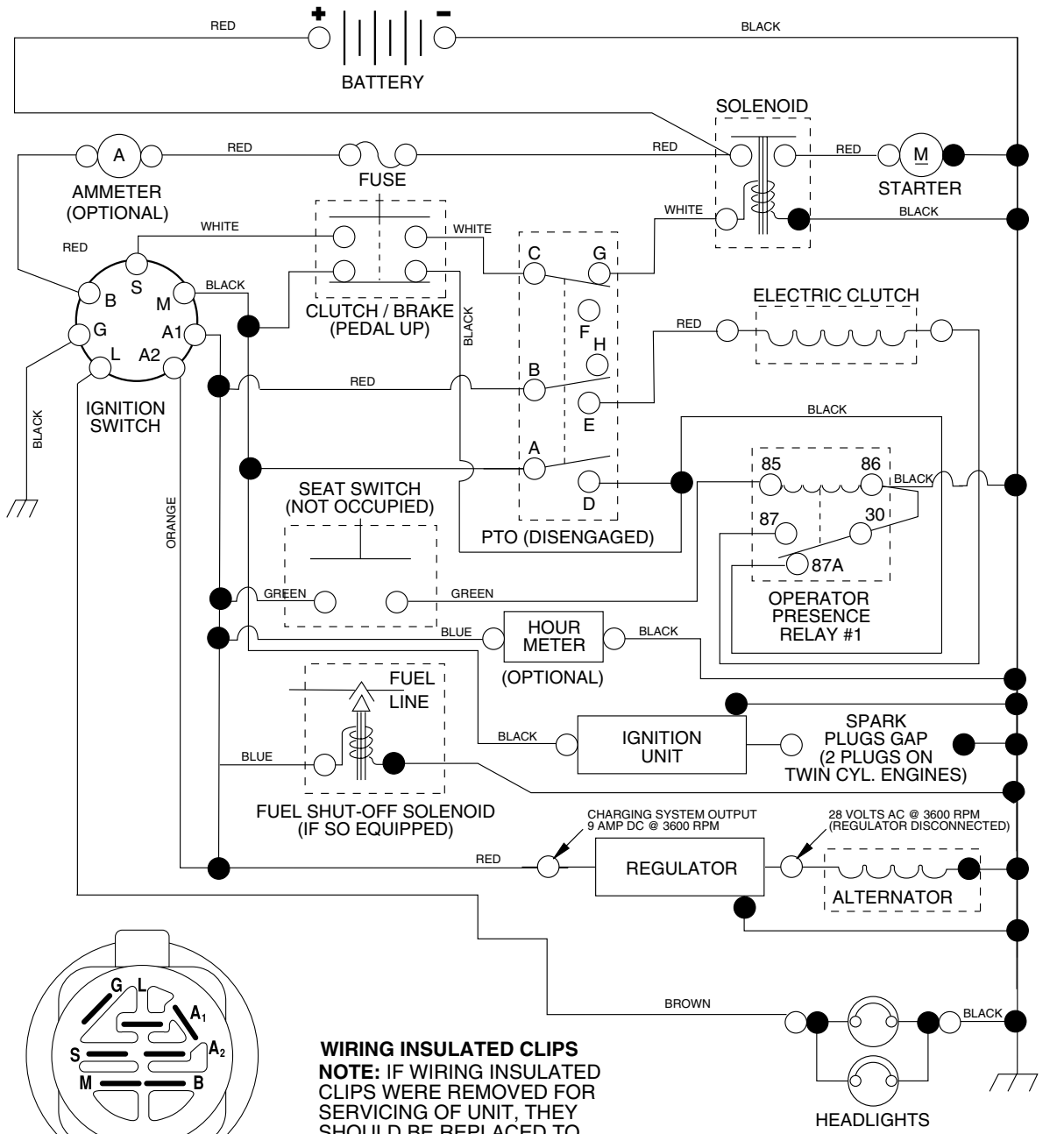
## MOWER LIFT

KEY NO.	PART NO.	DESCRIPTION
1	532 15 94-61	Wire Asm Inner/Sprg W/plunger LT
2	532 15 94-76	Shaft Asm Lift
3	532 13 82-84	Pin Groove
4	812 00 00-02	E Ring #5133-62
5	819 21 16-21	Washer 21/32 X 1 X 21 Ga.
6	532 12 01-83	Bearing Nylon Blk 629 Id
7	532 12 56-31	Grip Handle Fluted Blk
8	532 12 23-65	Button Plunger Red
11	532 13 98-65	Link Lift LH Mower
12	532 13 98-66	Link Lift RH Mower
13	532 12 46-70	Retainer Spring
15	532 17 32-88	Link Front
16	873 35 08-00	Nut Jam Hex 1/2-13 Unc
17	532 17 56-89	Trunnion Blk Zinc
18	873 80 08-00	Nut Lock W/wsh 1/2-13unc
19	532 13 98-68	Arm Suspension Rear
20	532 16 35-52	Retainer Spring
23	532 11 08-07	Nut Special
24	819 13 10-16	Washer 13/32 x 5/8 x 16 Ga.
25	532 16 40-24	Spring Comp Infinite
26	532 16 94-84	Retainer Clip
27	532 16 45-43	Rod Adj Lift
28	873 35 06-00	Nut Hex Jam 3/8-16 UNC
29	532 13 80-57	Knob Inf 3/8-16 UNC
30	532 15 02-33	Trunnion Inf. Height
31	532 16 98-65	Bearing Put Lift
32	873 54 06-00	Nut Crownlock 3/8-24
36	532 15 50-97	Pointer Height Ind
37	532 12 39-35	Plug Hole
38	817 06 05-16	Screw 5/16-18 x 1 SMGML Tap/R
40	819 11 24-10	Washer 11/32 x 1-1/2 x 10 Ga.
41	532 15 50-98	Ind Height STLT
49	532 14 52-12	Nut, Hex Flange Lock
50	532 11 04-52	Nut Push Phos & Oil

**NOTE:** All component dimensions given in U.S. inches  
1 inch = 25.4 mm

# TRACTOR - MODEL NO. LT17A (JLT17H42A), PRODUCT NO. 954 13 00-62

## SCHEMATIC



**IGNITION SWITCH**

POSITION	CIRCUIT	"MAKE"
OFF	M+G+A1	NONE
RUN/LIGHT	B+A1	A2+L
RUN	B+A1	NONE
START	B + S + A1	NONE

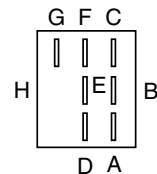
**WIRING INSULATED CLIPS**  
**NOTE: IF WIRING INSULATED CLIPS WERE REMOVED FOR SERVICING OF UNIT, THEY SHOULD BE REPLACED TO PROPERLY SECURE YOUR WIRING.**

POSITION	CIRCUIT
OFF	C + G, B + H
ON	C + F, B + E, A + D

● NON-REMOVABLE CONNECTIONS  
 ○ REMOVABLE CONNECTIONS



**RELAY**



**PTO SWITCH**