

LT14 A

Spare parts

Ersatzteile

Pièces détachées

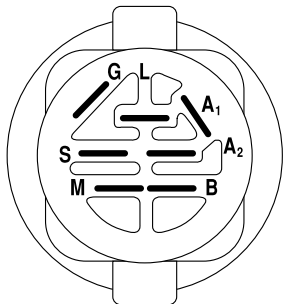
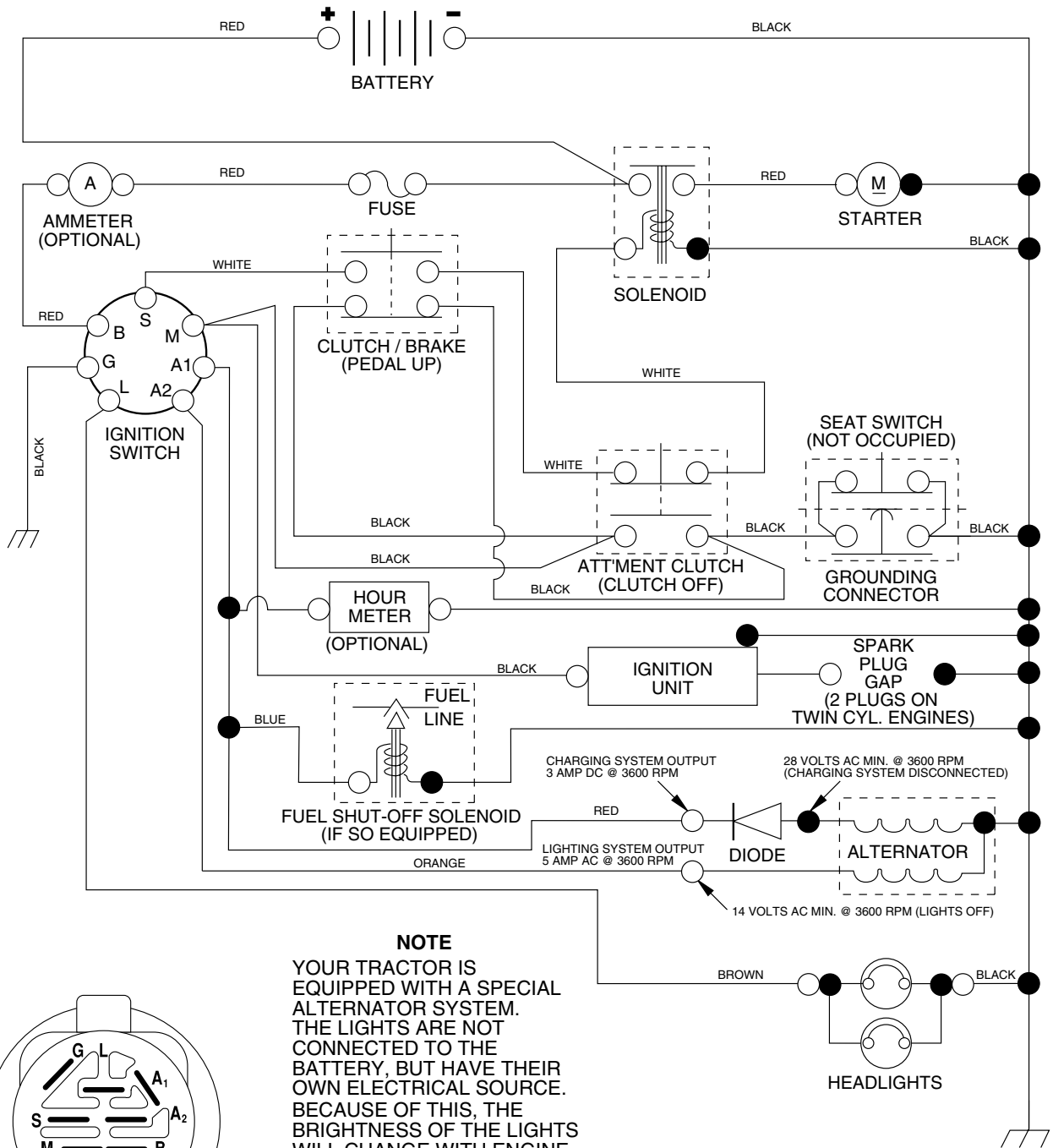
Reserve onderdelen

Repuestos

Reservdelar

TRACTOR - MODEL NO. LT14A (JLTA14A), PRODUCT NO. 954 13 00-59

SCHEMATIC



IGNITION SWITCH

| POSITION | CIRCUIT | "MAKE" |
|-----------|------------|--------|
| OFF | M+G+A1 | NONE |
| RUN/LIGHT | B+A1 | A2+L |
| RUN | B+A1 | NONE |
| START | B + S + A1 | NONE |

NOTE
YOUR TRACTOR IS EQUIPPED WITH A SPECIAL ALTERNATOR SYSTEM. THE LIGHTS ARE NOT CONNECTED TO THE BATTERY, BUT HAVE THEIR OWN ELECTRICAL SOURCE. BECAUSE OF THIS, THE BRIGHTNESS OF THE LIGHTS WILL CHANGE WITH ENGINE SPEED. AT IDLE THE LIGHTS WILL DIM. AS THE ENGINE IS SPEEDED UP, THE LIGHTS WILL BECOME THEIR BRIGHTEST.

WIRING INSULATED CLIPS

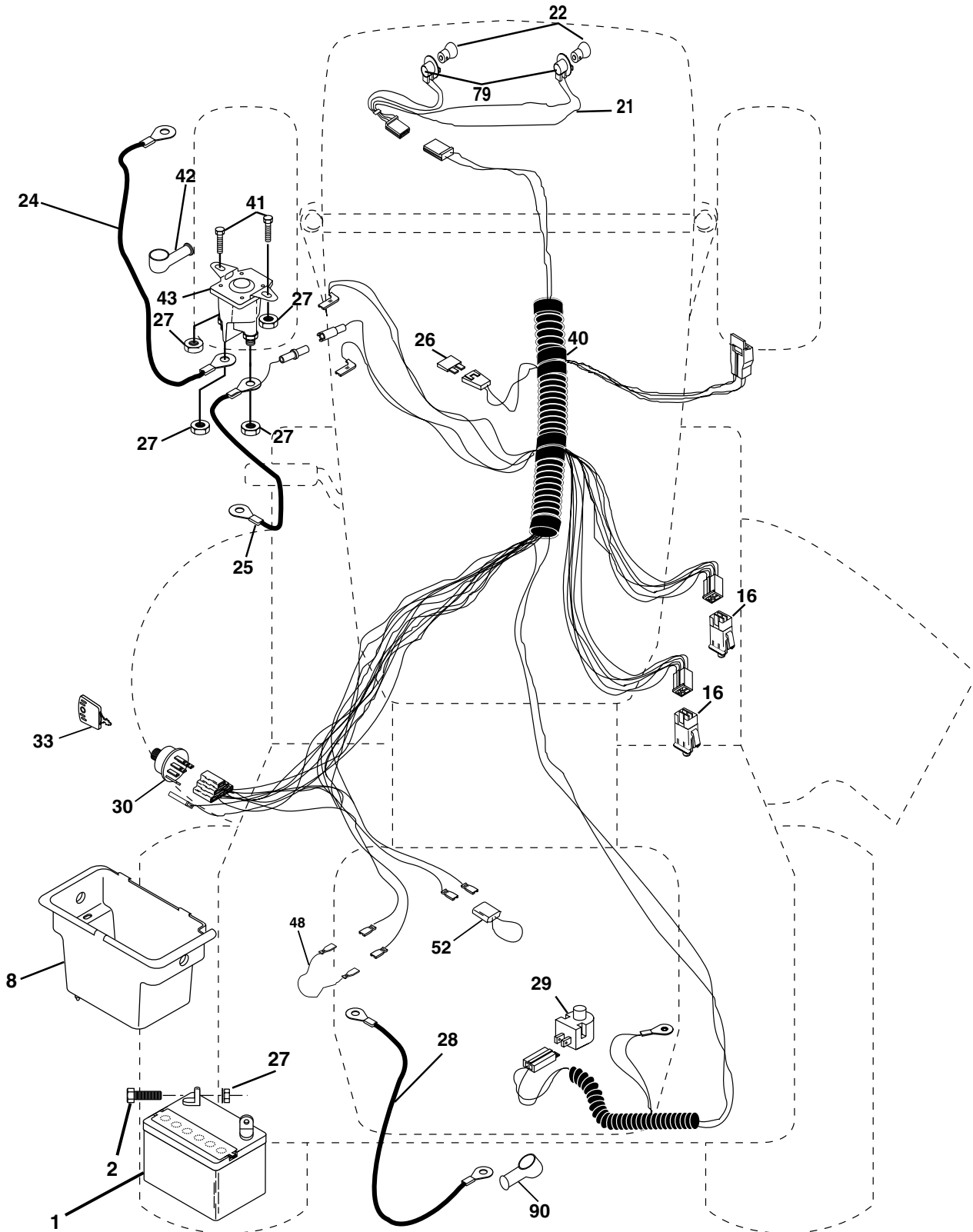
NOTE: IF WIRING INSULATED CLIPS WERE REMOVED FOR SERVICING OF UNIT, THEY SHOULD BE REPLACED TO PROPERLY SECURE YOUR WIRING.

NON-REMOVABLE CONNECTIONS

REMOVABLE CONNECTIONS

REPAIR PARTS

TRACTOR - MODEL NO. LT14A (JLTA14A), PRODUCT NO. 954 13 00-59
ELECTRICAL



REPAIR PARTS

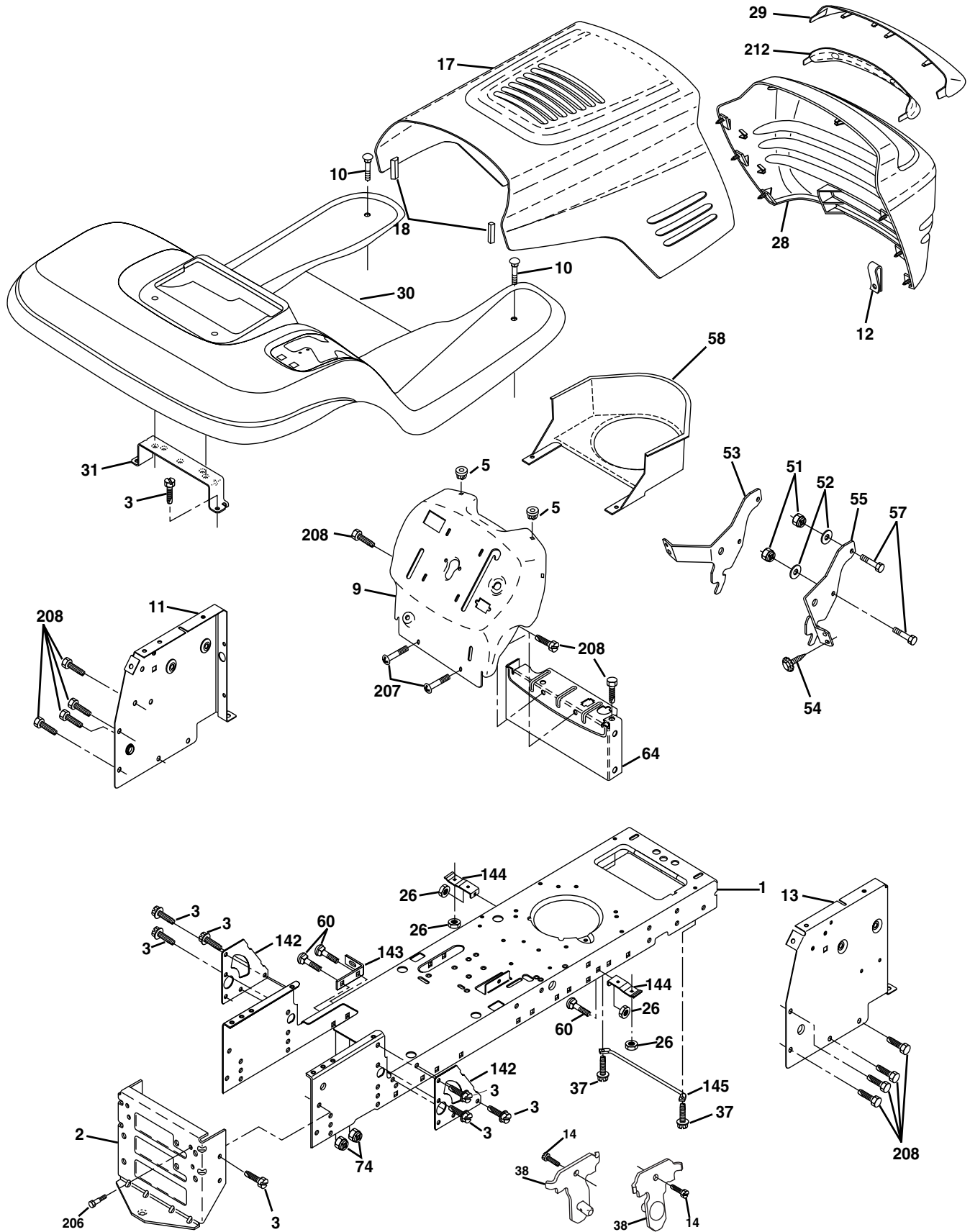
TRACTOR - MODEL NO. LT14A (JLTA14A), PRODUCT NO. 954 13 00-59
ELECTRICAL

| KEY NO. | PART NO. | DESCRIPTION |
|---------|--------------|--------------------------------------|
| 1 | 532 16 34-65 | Battery 12 Volt 28 AMP |
| 2 | 874 76 04-12 | Bolt Hex Hd 1/4-20unc X 3/4 |
| 8 | 532 17 66-89 | Battery Box |
| 16 | 532 17 61-38 | Switch Interlock Push-In |
| 21 | 532 17 56-88 | Harness Asm Light W/4152j |
| 22 | 532 00 41-52 | Bulb Light #1156 |
| 24 | 532 12 47-80 | Cable Battery 6 Ga 11" red |
| 25 | 532 14 61-47 | Cable Battery 6 Ga 44" red w/16 wire |
| 26 | 532 17 51-58 | Fuse 20 AMP |
| 27 | 873 51 04-00 | Nut Keps Hex 1/4-20 Unc |
| 28 | 532 12 47-73 | Cable Ground 6 Ga 12" black |
| 29 | 532 12 13-05 | Switch Plunger Nc Gray |
| 30 | 532 17 55-66 | Switch Ign |
| 33 | 532 14 04-01 | Key Ign |
| 40 | 532 17 97-20 | Harness Ign. |
| 41 | 871 11 04-08 | Bolt Blk Fin Hex 1/4 - 20 x 1/2 |
| 42 | 532 13 15-63 | Cover Terminal Red |
| 43 | 532 17 88-61 | Solenoid |
| 48 | 532 14 08-44 | Adapter Ammeter |
| 52 | 532 14 19-40 | Protection Wire Loop |
| 89 | 532 18 04-49 | Cover Terminal |

NOTE: All component dimensions given in U.S. inches.
1 inch = 25.4 mm.

REPAIR PARTS

TRACTOR - MODEL NO. LT14A (JLTA14A), PRODUCT NO. 954 13 00-59
CHASSIS AND ENCLOSURES



REPAIR PARTS

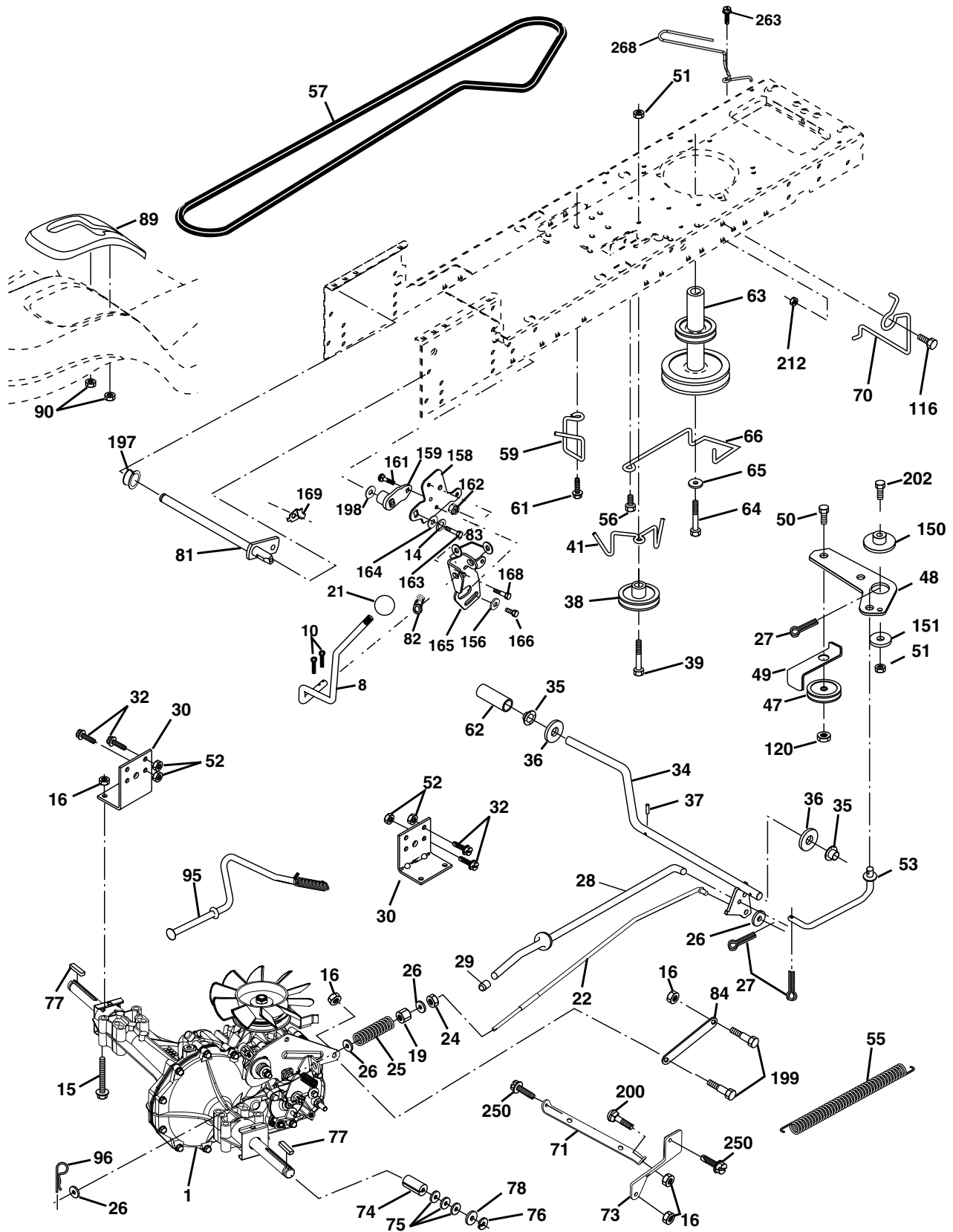
TRACTOR - MODEL NO. LT14A (JLTA14A), PRODUCT NO. 954 13 00-59 CHASSIS AND ENCLOSURES

| KEY NO. | PART NO. | DESCRIPTION |
|------------|--------------|--------------------------------|
| 1 | 532 17 46-19 | Chassis Weldment |
| 2 | 532 17 65-54 | Drawbar |
| 3 | 817 06 06-12 | Screw 3/8-16 x 3/4 |
| 5 | 532 15 52-72 | Bumper Hood/Dash |
| 9 | 532 17 21-51 | Dash P/L |
| 10 | 872 14 06-08 | Bolt Carriage 3/8-16 x 1 |
| 11 | 532 17 49-96 | Panel Dash Lh |
| 12 | 532 14 56-60 | Clip Tinnerman Grille P/L |
| 13 | 532 18 17-19 | Panel Dash Rh |
| 14 | 817 49 06-08 | Screw Thdrol 3/8-16 x 1/2 |
| 17 | 532 15 07-60 | Hood LT/PL with Louvers |
| 18 | 532 12 69-38 | Bumper Hood |
| 26 | 873 80 06-00 | Nut Lock Hex W/Ins 3/8-16 Unc |
| 28 | 532 17 93-51 | Grill/Lens Asm. |
| 29 | 532 17 90-14 | Lens LT/PL Grille Shark Plain |
| 30 | 532 18 12-05 | Fender Footrest |
| 31 | 532 13 99-76 | Bracket Support Fender |
| 37 | 817 49 05-08 | Screw Thdrol 6/16-18 x 1/2 TYT |
| 38 | 532 17 57-10 | Bracket, Asm. Pivot |
| 51 | 873 80 04-00 | Nut Lock Hex W/Ins 1/4-20 |
| 52 | 819 09 14-16 | Washer 9/32 x 7/8 x 16 Ga. |
| 53 | 532 14 52-01 | Bracket Pnt. Pickoff LH |
| 54 | 532 16 14-64 | Screw Hex Wshd 8-18 x 7/8 |
| 55 | 532 14 52-02 | Bracket Grille Pickoff RH |
| 57 | 874 78 04-12 | Bolt Hex 1/4-20 x 3/4 |
| 60 | 872 14 06-06 | Bolt Rdhd Sqnk 3/8-16unc x 3/4 |
| 64 | 532 15 47-98 | Dash Lower STLT |
| 74 | 873 68 06-00 | Nut Crownlock 3/8-16 UNC |
| 142 | 532 17 57-02 | Plate Reinforcement STLT |
| 143 | 532 15 49-66 | Bracket Swaybar Chassis |
| 144 | 532 17 55-82 | Bracket Pnt Footrest STLT |
| 145 | 532 15 65-24 | Rod Pivot Chassis/Hood |
| 206 | 532 17 01-65 | Bolt Shoulder 5/16-18 |
| 207 | 817 67 05-08 | Screw Thdrol 5/16-18 x 1/2 |
| 208 | 817 67 06-08 | Screw Thdrol 3/8-16 x 1/2 |
| 212 | 532 16 59-19 | Insert Lens Reflective |
| -- | 532 00 54-79 | Plug Button |

NOTE: All component dimensions given in U.S. inches
1 inch = 25.4 mm

REPAIR PARTS

TRACTOR - MODEL NO. LT14A (JLTA14A), PRODUCT NO. 954 13 00-59
DRIVE



REPAIR PARTS

TRACTOR - MODEL NO. LT14A (JLTA14A), PRODUCT NO. 954 13 00-59

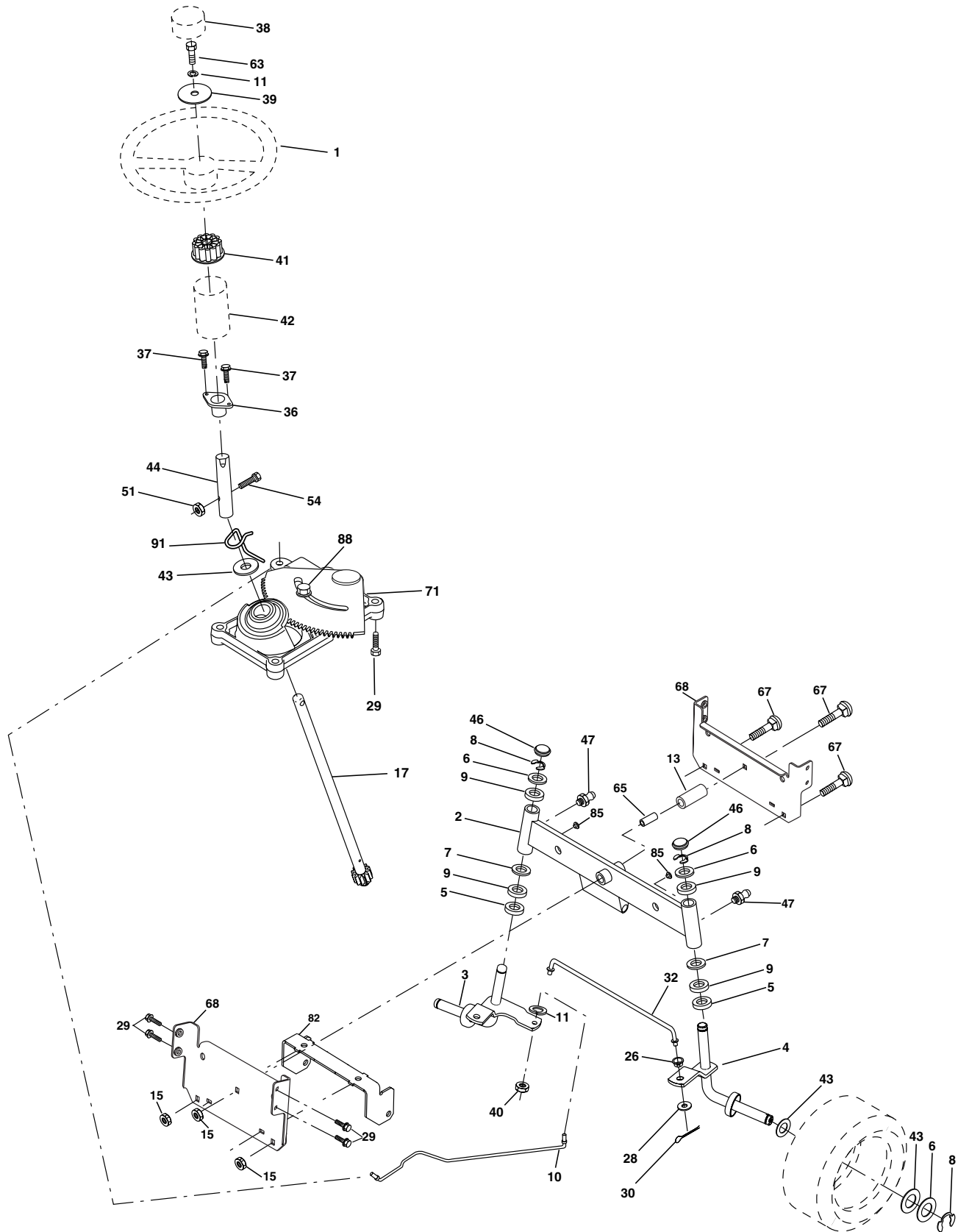
DRIVE

| KEY NO. | PART NO. | DESCRIPTION | KEY NO. | PART NO. | DESCRIPTION |
|---------|--------------|--|---------|--------------|-------------------------------------|
| 1 | ----- | Transaxle Hydro Gr 322-0510 (Order parts from transaxle manufacturer) | 75 | 532 12 17-49 | Washer 25/32 x 1-1/4 x 16 Gauge |
| 8 | 532 16 58-66 | Rod Shift Fender STLT | 76 | 812 00 00-01 | E-Ring |
| 10 | 876 02 04-16 | Pin Cotter 1/8 x 1 CAD | 77 | 532 12 35-83 | Key, Square |
| 14 | 810 04 04-00 | Washer Lock Hvy Helical 1/4 | 78 | 532 12 17-48 | Washer 25/32 x 1-5/8 x 16 Gauge |
| 15 | 874 49 05-44 | Bolt Hex Flg Hd 5/16-18 X Gr.5 | 81 | 532 16 55-96 | Shaft Asm. Cross Hydro |
| 16 | 873 80 05-00 | Nut Lock Hex W/Ins. 5/16-18 Unc P | 82 | 532 16 57-11 | Spring Torsion T/A |
| 19 | 873 80 06-00 | Nut Lock Hex W/Wsh 3/8-16 Unc | 83 | 819 17 12-16 | Washer 17/32 x 3/4 x 16 Ga. |
| 21 | 532 12 12-74 | Knob, Duckhead | 84 | 532 16 98-43 | Link Transaxle |
| 22 | 532 16 94-98 | Rod, Brake Hydro | 89 | 532 16 66-02 | Console, Shift |
| 24 | 873 35 06-00 | Nut | 90 | 532 12 43-46 | Nut Self-Thd wsh-Hd 1/4 Zinc |
| 25 | 532 10 68-88 | Spring, Brake Rod | 95 | 532 17 02-01 | Control Asm Bypass Hydro |
| 26 | 819 13 13-16 | Washer | 96 | 532 12 47-88 | Retainer Spring 1" Zinc/Cad |
| 27 | 876 02 04-12 | Pin Cotter 1/8 x 3/4 CAD. | 103 | 873 94 08-00 | Nut Hex Jam Toplock 1/2-20 |
| 28 | 532 17 57-65 | Rod, Parking Brake | 116 | 872 14 06-08 | Bolt 3/8-16 x 1.0 |
| 29 | 532 07 16-73 | Cap, Parking Brake | 120 | 873 90 06-00 | Nut Flg Lock 3/8-16 Unc |
| 30 | 532 17 49-73 | Bracket, Transaxle | 150 | 532 17 54-56 | Bushing |
| 32 | 874 76 05-12 | Bolt Hex Hd 5/16-18 Unc x 3/4 | 151 | 819 13 32-10 | Washer 13/32 x 2 x 10 Ga. |
| 34 | 532 17 55-78 | Shaft, Foot Pedal | 156 | 532 16 60-02 | Washer Srrtd 5/16 ID x1.0 x .125 Tk |
| 35 | 532 12 01-83 | Bearing, Nylon | 158 | 532 16 55-89 | Bracket Shift Mount |
| 36 | 819 21 16-16 | Washer | 159 | 532 16 54-94 | Hub Tapered Flange Shift LT |
| 37 | 532 12 49-63 | Pin, Roll | 161 | 872 14 04-06 | Bolt Rdhd Sqnk 1/4-20 x 3/4 Gr. 5 |
| 38 | 532 17 91-14 | Pulley, Idler, Composite | 162 | 873 68 04-00 | Nut Crownlock 1/4-20 Unc |
| 39 | 874 76 06-48 | Bolt Fin Hex 3/8-16 Unc x 3 | 163 | 874 78 04-16 | Bolt Hex Fin 1/4-20 unc x 1 Gr. 5 |
| 41 | 532 17 55-56 | Keeper, Belt Idler | 164 | 819 09 10-10 | Washer 5/8 x .281 x 10 Ga |
| 47 | 532 12 77-83 | Pulley, Idler, V-Groove | 165 | 532 16 56-23 | Bracket Pivot Lever |
| 48 | 532 15 44-07 | Bellcrank Clutch Grnd Drv Stl | 166 | 532 16 68-80 | Screw 5/16-18 x 5/8 TT Yellow |
| 49 | 532 12 32-05 | Retainer, Belt | 168 | 532 16 54-92 | Bolt Shoulder 5/16-18 x .561 TT |
| 50 | 874 76 06-24 | Bolt Hex 3/8-16 Unc x 1-1/2 | 169 | 532 16 55-80 | Plate Fastening Cross Shf. STLT/CRD |
| 51 | 873 68 06-00 | Nut Crownlock 3/8-16 | 197 | 532 16 96-13 | Nyliner Snap-In 5/8" ID |
| 52 | 873 68 05-00 | Nut Crownlock 5/16-18 | 198 | 532 16 95-93 | Washer Nyl 7/8 ID x .105 HYD CRD |
| 53 | 532 10 57-10 | Link, Clutch | 199 | 532 16 96-12 | Bolt Shoulder 5/16-18 Unc |
| 55 | 532 10 57-09 | Spring, Return, Clutch | 200 | 872 14 05-08 | Bolt Rdhd Sqnk 5/16-18 Unc x 1 |
| 56 | 817 06 06-20 | Bolt Fin Hex 3/8-16 UNC x 1-1/4 | 202 | 872 11 06-14 | Bolt Carr Sh 3/8-16 x 1-1/2 Gr. 5 |
| 57 | 532 14 02-94 | V-Belt, Ground Drive | 205 | 819 17 16-16 | Washer 17/32 x 1 x 16 |
| 59 | 532 16 96-91 | Keeper, Center Span | 212 | 532 14 52-12 | Nut Hex Flg Lock |
| 61 | 817 12 06-14 | Screw 3/8-16 x .875 | 250 | 817 06 06-12 | Screw 3/8-16 x .75 |
| 62 | 532 12 48-72 | Cover, Pedal | 263 | 817 00 06-12 | Screw Hex wsh thdrl 3/8-16 x 3/4 |
| 63 | 532 18 02-19 | Pulley, Eng | 268 | 532 18 24-02 | Guard Muffler |
| 64 | 871 17 07-64 | Bolt Hex 7/16-20 x 4 Ga. 5 | | | |
| 65 | 810 04 07-00 | Washer | | | |
| 66 | 532 15 47-78 | Keeper Belt Engine | | | |
| 70 | 532 18 02-18 | Guide Belt Mower Drive RH | | | |
| 71 | 532 16 91-83 | Strap Torque Lh Hydro | | | |
| 73 | 532 16 91-82 | Strap Torque Rh Hydro | | | |
| 74 | 532 13 70-57 | Spacer, Axle | | | |

NOTE: All component dimensions given in U.S. inches
1 inch = 25.4 mm

REPAIR PARTS

TRACTOR - MODEL NO. LT14A (JLTA14A), PRODUCT NO. 954 13 00-59
STEERING ASSEMBLY



REPAIR PARTS

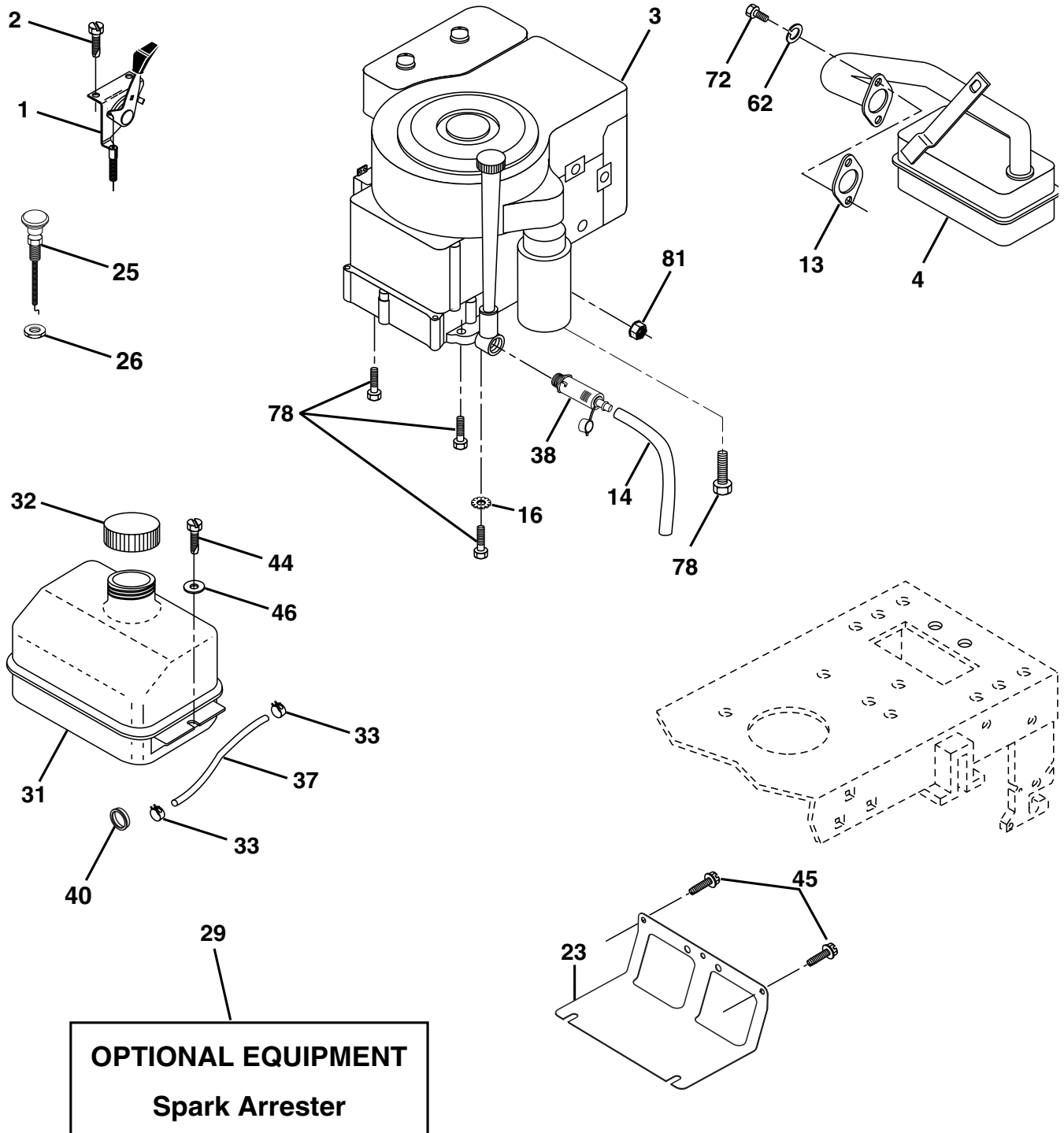
TRACTOR - MODEL NO. LT14A (JLTA14A), PRODUCT NO. 954 13 00-59 STEERING ASSEMBLY

| KEY NO. | PART NO. | DESCRIPTION |
|---------|--------------|----------------------------------|
| 1 | 532 17 20-92 | Wheel Steering |
| 2 | 532 17 51-31 | Axle Asm STMP Dropped STL |
| 3 | 532 16 98-40 | Spindle Asm LH |
| 4 | 532 16 98-39 | Spindle Asm RH |
| 5 | 532 12 49-31 | Bearing Race Thrust Harden |
| 6 | 532 12 17-48 | Washer 25/32 X 1-5/8 X 16 Ga |
| 7 | 819 27 20-16 | Washer 27/32 X 1-1/4 X 16 Ga |
| 8 | 812 00 00-29 | Ring Klip #t5304-75 |
| 9 | 532 12 49-37 | Bearing Col Strg Blk |
| 10 | 532 17 51-21 | Link Drag |
| 11 | 810 04 06-00 | Washer Lock Hvy Hlcl Spr 3/8 |
| 13 | 532 13 65-18 | Bearing Axle STLT/GT |
| 17 | 532 17 78-76 | Shaft Asm Strg |
| 26 | 532 12 68-47 | Bushing Link Drag Blk LR |
| 28 | 819 13 14-16 | Washer 13/32 X 7/8 X 16 Ga |
| 29 | 817 06 06-12 | Screw 3/8-16x3/4 SMGML |
| 30 | 876 02 04-12 | Pin Cotter 1/8 X 3/4 Cad |
| 32 | 532 13 04-65 | Rod Tie Wire Form 19 75 Mech |
| 36 | 532 15 50-99 | Bushing Strg |
| 37 | 532 15 29-27 | Screw |
| 38 | 532 17 20-93 | Insert Cap Strg Wh |
| 39 | 819 13 24-11 | Washer 13/32 X 1-1/20 x 11 |
| 40 | 532 12 47-01 | Lock nut |
| 41 | 532 15 99-45 | Adaptor Wheel Strg |
| 42 | 532 16 96-33 | Boot Steering Shaft |
| 43 | 532 12 17-49 | Washer 25/32 X 1 1/4 X 16 Ga |
| 44 | 532 15 37-20 | Extension Steering Shaft LR/LT |
| 46 | 532 12 12-32 | Cap Spindle Fr Top Blk |
| 47 | 532 12 48-36 | Fitting Grease |
| 51 | 873 80 05-00 | Nut Lock Hex w/Ins 5/16-18 |
| 54 | 874 78 05-20 | Bolt Fin Hex 5/16-18 Unc x 1-1/4 |
| 63 | 874 78 06-16 | Bolt Fin Hex 3/8-16unc x 1 Gr. 5 |
| 65 | 532 16 03-67 | Spacer Axle |
| 67 | 872 14 06-18 | Bolt RDHD SQNK 3/8-16 x 2-1/4 |
| 68 | 532 16 98-27 | Axle, Brace |
| 71 | 532 17 51-46 | Steering Asm |
| 82 | 532 16 98-35 | Bracket Susp Chassis Front |
| 85 | 532 13 38-35 | Fastner Christmas Tree |
| 88 | 532 17 51-18 | Bolt Shoulder 7/16-20 Unc |
| 91 | 532 17 55-53 | Clip Steering |

NOTE: All component dimensions given in U.S. inches.
1 inch = 25.4 mm.

REPAIR PARTS

TRACTOR - MODEL NO. LT14A (JLTA14A), PRODUCT NO. 954 13 00-59
ENGINE



REPAIR PARTS

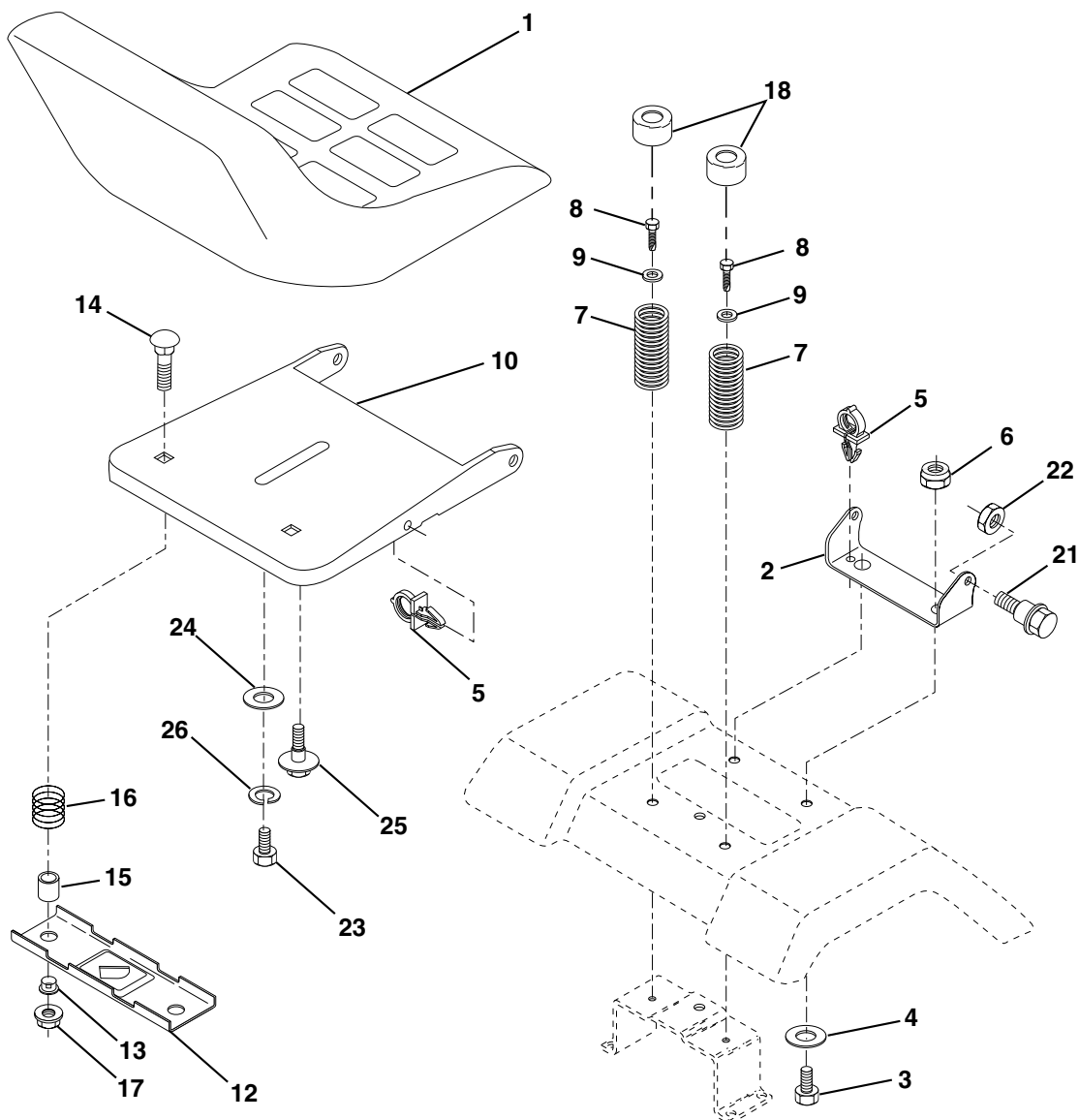
TRACTOR - MODEL NO. LT14A (JLTA14A), PRODUCT NO. 954 13 00-59
ENGINE

| KEY NO. | PART NO. | DESCRIPTION |
|---------|--------------|---|
| 1 | 532 17 05-51 | Control Th/ch Flag |
| 2 | 817 72 04-08 | Screw Hex Thd Cut 1/4-20 x 1/2 |
| 3 | ----- | Engine B & S Model 31G777 (Order parts from engine manufacturer) |
| 4 | 532 13 73-52 | Muffler |
| 13 | 532 16 52-91 | Gasket |
| 14 | 532 14 84-56 | Tube Drain Oil Easy |
| 16 | 811 05 06-00 | Washer Lock Ext Tooth 3/8 |
| 23 | 532 16 98-37 | Shield Brn/Dbr Guard |
| 25 | 532 18 09-45 | Control Choke |
| 26 | 873 92 06-00 | Nut Keps 3/8-24 UNF |
| 29 | 532 13 71-80 | Kit Spark Arrestor (Flat Scrm) |
| 31 | 532 10 92-02 | Tank Fuel Front |
| 32 | 532 14 05-27 | Cap Asm Fuel W/sym Vented |
| 33 | 532 12 34-87 | Clamp Hose Black |
| 37 | 532 13 70-40 | Line Fuel 20" |
| 38 | 532 14 83-15 | Plug Drain Oil Easy |
| 40 | 532 12 40-28 | Bushing Snap Nyl Blk Fuel Line |
| 44 | 817 67 04-12 | Screw Hexwsh Thdrol 1/4-20x3/4 |
| 45 | 817 00 06-12 | Screw 3/8-16 x 3/4 |
| 46 | 819 09 14-16 | Washer 9/32 X 7/8 X 16 Ga |
| 62 | 810 04 05-00 | Washer Lock Hvy Hlcl Spr 5/16 |
| 72 | 871 07 05-12 | Screw Hexhd Cap 5/16-18 x 3/4 |
| 78 | 817 06 06-20 | Screw 3/8-16 x 1-1/4 SMGML |
| 81 | 873 51 04-00 | Nut Keps Hex 1/4-20 |

NOTE: All component dimensions given in U.S. inches
1 inch = 25.4 mm

REPAIR PARTS

TRACTOR - MODEL NO. LT14A (JLTA14A), PRODUCT NO. 954 13 00-59
SEAT ASSEMBLY



| KEY NO. | PART NO. | DESCRIPTION |
|---------|--------------|--------------------------------|
| 1 | 532 14 01-17 | Seat |
| 2 | 532 14 05-51 | Bracket Pivot Seat 8 720 |
| 3 | 871 11 06-16 | Bolt Fin Hex 3/8-16 Unc x 1 |
| 4 | 819 13 16-10 | Washer 13/32 X 1 X 10 Ga |
| 5 | 532 14 50-06 | Clip Push-In |
| 6 | 873 80 06-00 | Nut Hex w/Ins. 3/8-16 Unc |
| 7 | 532 12 41-81 | Spring Seat Cprsn 2 250 Blk Zi |
| 8 | 817 00 06-16 | Screw 3/8-16 x 1.5 SMGML |
| 9 | 819 13 16-14 | Washer 13/32 X 1 X 14 Ga. |
| 10 | 532 18 24-93 | Pan Seat |
| 12 | 532 12 12-46 | Bracket Mounting Switch |
| 13 | 532 12 12-48 | Bushing Snap Blk Nyl 50 Id |
| 14 | 872 05 04-12 | Bolt Rdhd Sqnk 1/4-20x1-1/2 |

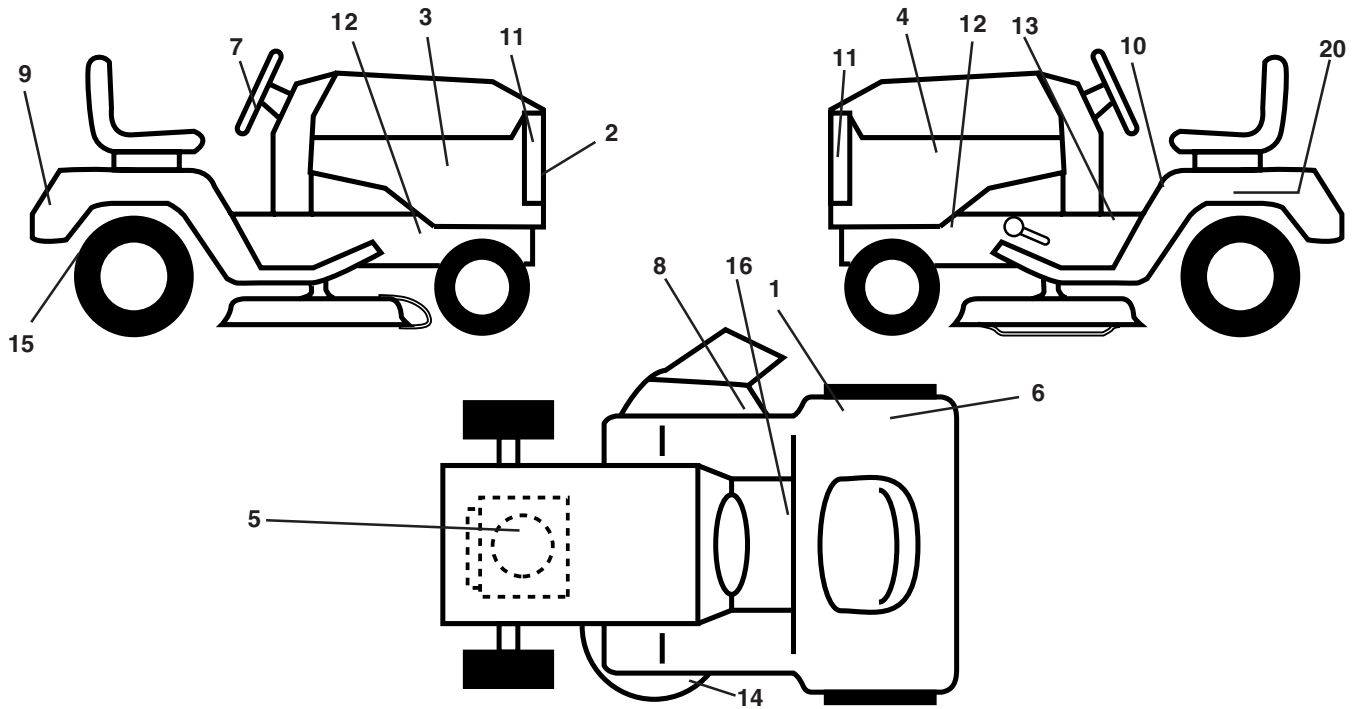
| KEY NO. | PART NO. | DESCRIPTION |
|---------|--------------|--------------------------------|
| 15 | 532 13 43-00 | Spacer Split 28x96 Yel Zinc |
| 16 | 532 12 12-50 | Spring Cprsn 1.27 Blk Pnt |
| 17 | 532 12 39-76 | Nut Lock 1/4 Lge Flg Gr 5 Zinc |
| 18 | 532 12 42-38 | Cap Spring Seat |
| 21 | 532 17 18-52 | Bolt SHLD 5/16-18 Unc-2A |
| 22 | 873 80 05-00 | Nut Hex Lock W/Ins 5/16-18 |
| 23 | 871 11 08-14 | Bolt Hex |
| 24 | 819 17 19-12 | Washer 17/32 X 1-3/16 X 12 Ga. |
| 25 | 532 12 70-18 | Bolt Shoulder 5/16-18 X 62 |
| 26 | 810 04 08-00 | Washer Lock Hvy HLCL Spr. 1/2 |

NOTE: All component dimensions given in U.S. inches.
1 inch = 25.4 mm

REPAIR PARTS

TRACTOR - MODEL NO. LT14A (JLTA14A), PRODUCT NO. 954 13 00-59

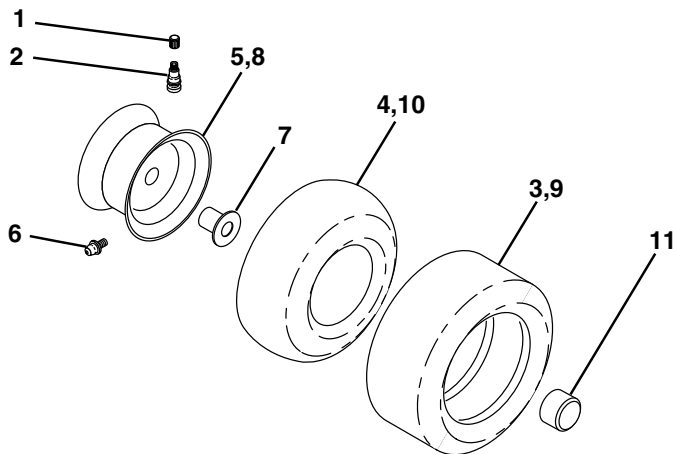
DECALS



| KEY NO. | PART NO. | DESCRIPTION |
|---------|--------------|---------------------------------|
| 1 | 532 18 04-32 | Decal 100 DB/CE |
| 2 | 532 15 22-62 | Decal Grille |
| 3 | 532 17 96-33 | Decal Hood RH |
| 4 | 532 17 96-34 | Decal Hood LH |
| 5 | 532 18 04-31 | Decal HP Engine |
| 6 | 532 14 54-37 | Decal Europe Stand CE |
| 7 | 532 17 05-65 | Decal, Ins. Strg Whl. |
| 8 | 532 18 21-66 | Decal Mower Cutfinger |
| 9 | 532 14 17-61 | Decal Fender Jonsered |
| 10 | 532 14 54-98 | Decal Read Owner's Manual Syms. |
| 11 | 532 16 29-27 | Decal Hood Insert B&S White |

| KEY NO. | PART NO. | DESCRIPTION |
|---------|--------------|---------------------------------|
| 12 | 532 15 97-36 | Decal Chassis Hot Muffler |
| 13 | 532 15 97-37 | Decal Brake/Clutch Symbol LT |
| 14 | 532 13 68-32 | Decal V-Belt Schematic |
| 15 | 532 16 25-98 | Decal Drawbar Load Limit |
| 16 | 532 14 08-37 | Decal Saddle Brake Parking |
| 20 | 532 14 50-05 | Decal Bat Dan/Psn |
| -- | 532 17 12-84 | Pad Footrest LH STLT |
| -- | 532 17 12-85 | Pad Footrest RH STLT |
| -- | 532 13 83-11 | Decal Handle Lift Height Adjust |
| -- | 532 16 92-10 | Decal By-Pass |
| -- | 532 18 00-98 | Manual Operator's (Euro.) |
| -- | 532 18 00-99 | Manual Operator's (Scan.) |

WHEELS & TIRES

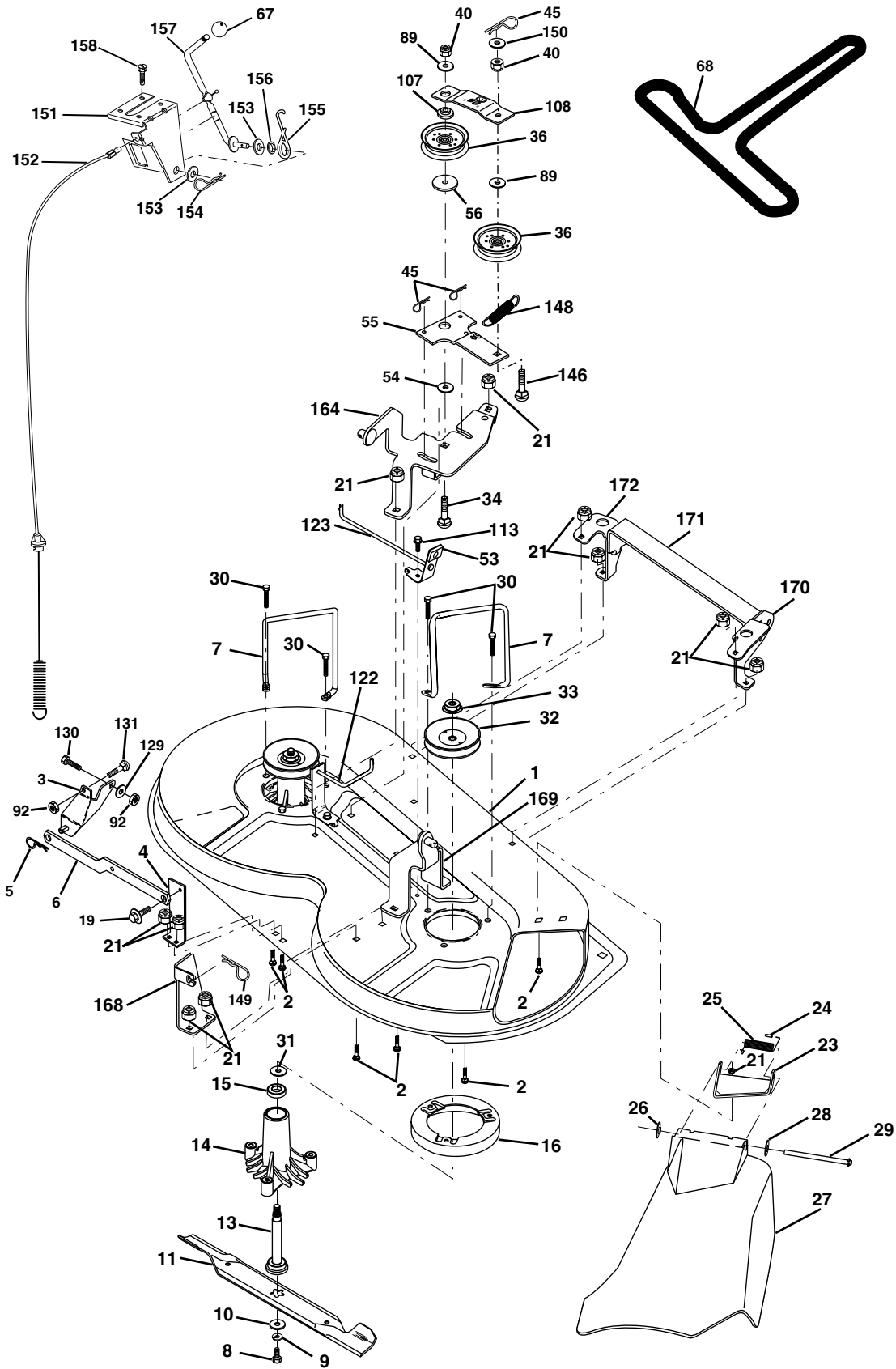


| KEY NO. | PART NO. | DESCRIPTION |
|---------|--------------|-----------------------------------|
| 1 | 532 05 91-92 | Cap Valve Tire |
| 2 | 532 06 51-39 | Stem Valve |
| 3 | 532 10 62-22 | Tire F Ts 15 X 6 0 - 6 Service |
| 4 | 532 05 99-04 | Tube Front (Service Item Only) |
| 5 | 532 13 83-36 | Rim Asm 6"front Silver Service |
| 6 | 532 12 49-57 | Fitting Grease (Front Wheel Only) |
| 7 | 532 12 49-59 | Bearing Flange (Front Wheel Only) |
| 8 | 532 13 83-37 | Rim Asm 8"rear Silver Service |
| 9 | 532 12 46-35 | Tire R Ts 18x9 5-8 C Service |
| 10 | 532 12 49-26 | Tube Rear (Service Item Only) |
| 11 | 532 17 50-39 | Cap Axle Blk 1 50 X 1 00 |
| -- | 532 14 43-34 | Sealant, Tire (10 oz. Tube) |

NOTE: All component dimensions given in U.S. inches
1 inch = 25.4 mm

REPAIR PARTS

TRACTOR - MODEL NO. LT14A (JLTA14A), PRODUCT NO. 954 13 00-59
MOWER DECK



REPAIR PARTS

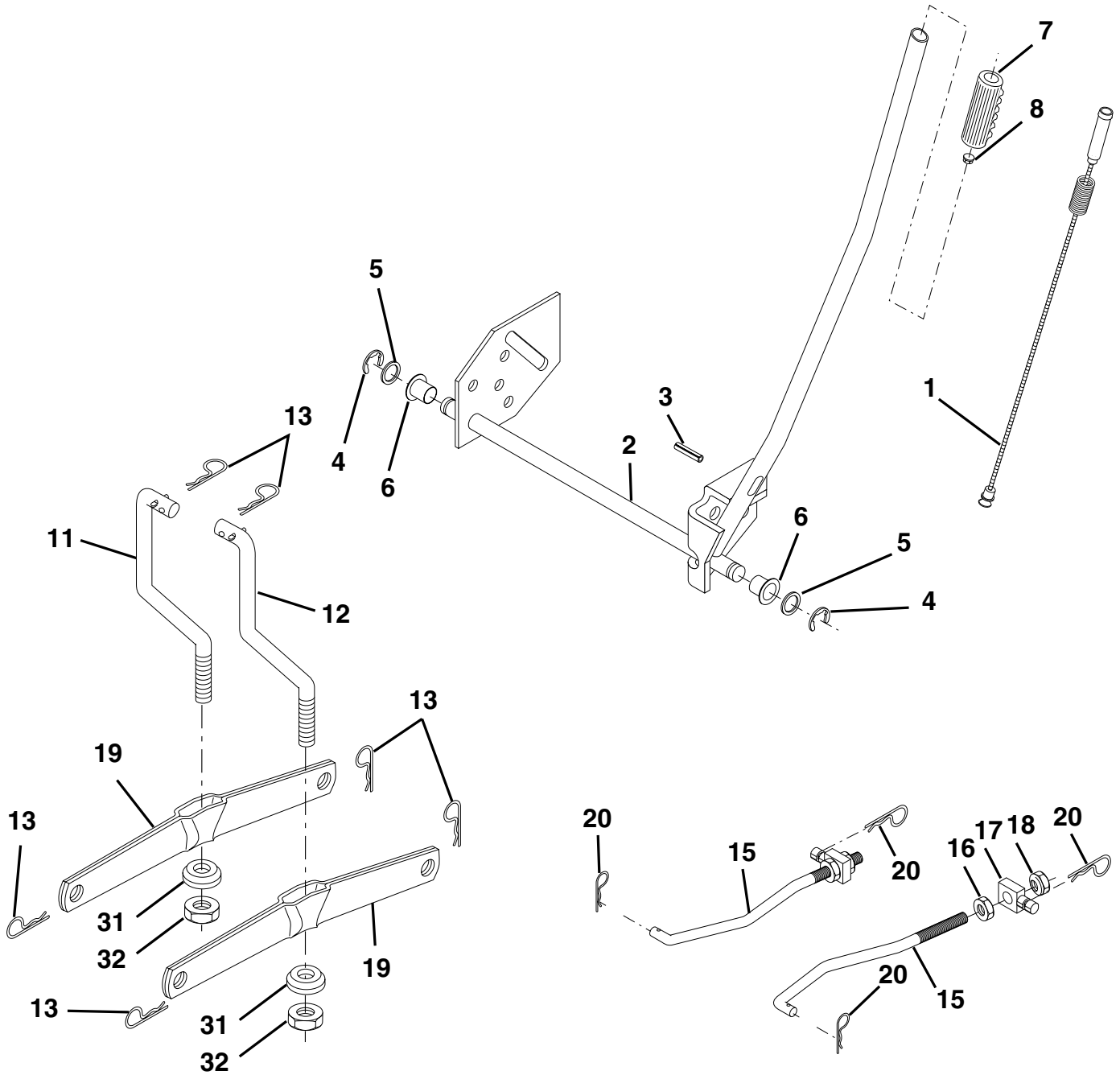
TRACTOR - MODEL NO. LT14A (JLTA14A), PRODUCT NO. 954 13 00-59
MOWER DECK

| KEY NO. | PART NO. | DESCRIPTION | KEY NO. | PART NO. | DESCRIPTION |
|---------|--------------|---------------------------------|---------|--------------|--|
| 1 | 532 17 45-95 | Mower Deck Assembly | 68 | 532 18 02-13 | Belt |
| 2 | 872 14 05-06 | Bolt | 89 | 819 13 16-12 | Washer 13/32 x 1 x 12 Ga |
| 3 | 532 13 80-17 | Bracket Assembly, Sway Bar | 92 | 873 80 06-00 | Nut Lock Hex 3/8-16 |
| 4 | 532 17 56-54 | Bracket Sway Bar | 107 | 532 13 35-02 | Spacer, Retainer |
| 5 | 532 12 46-70 | Retainer Spring | 108 | 532 13 35-03 | Stiffener, Idler Arm |
| 6 | 532 17 80-24 | Bar Sway Deck | 113 | 817 49 05-08 | Screw Thdrol 5/16-18 x 1/2 |
| 7 | 532 14 06-08 | Keeper Belt | 122 | 532 17 45-05 | Rod, Brake, LH |
| 8 | 532 85 08-57 | Bolt, Hex 3/8-24 x 1.25 Gr. 8 | 123 | 532 17 45-04 | Rod, Brake, RH |
| 9 | 810 03 06-00 | Washer, Lock Hvy Hlcl 3/8 | 129 | 819 13 13-12 | Washer 13/32 x 13/16 x 12 Ga. |
| 10 | 532 14 02-96 | Washer, Hardened | 130 | 874 78 06-16 | Bolt Fin Hex 3/8-16 x 1.0 |
| 11 | 532 13 84-96 | Blade, Mower | 131 | 872 14 06-08 | Bolt RDHD 3/8-16 x 1 |
| 13 | 532 13 76-45 | Shaft Assembly, Mandrel, Vented | 146 | 532 16 58-91 | Bolt Carriage Idler |
| 14 | 532 12 87-74 | Housing, Mandrel, Vented | 148 | 532 16 90-22 | Spring Return Idler |
| 15 | 532 11 04-85 | Bearing, Ball, Mandrel | 149 | 532 16 58-98 | Retainer Spring Yellow Zinc |
| 16 | 532 17 44-93 | Stripper, Mower Deck | 150 | 819 09 12-16 | Washer 9/32 x 3/4 x 16 Ga. |
| 19 | 532 13 28-27 | Bolt, Shoulder | 151 | 532 16 96-70 | Bracket Clutch |
| 21 | 873 68 05-00 | Nut Crownlock 5/16-18 | 152 | 532 17 60-79 | Cable Clutch |
| 23 | 532 13 66-31 | Bracket, Mower Deflector | 153 | 532 16 96-74 | Washer Flat 3/8" Type B |
| 24 | 532 10 53-04 | Cap, Sleeve | 154 | 532 16 96-75 | Spring Retainer |
| 25 | 532 12 37-13 | Spring, Torsion, Deflector | 155 | 532 16 96-71 | Spring Retention Lever |
| 26 | 532 11 04-52 | Nut, Push | 156 | 532 16 96-72 | Spacer |
| 27 | 532 17 61-62 | Shield, Deflector | 157 | 532 16 96-69 | Rod Clutch |
| 28 | 819 11 10-16 | Washer 11/32 x 5/8 x 16 Ga. | 158 | 817 72 04-08 | Screw Hex Thd Cut 1/4-20 x 1/2 |
| 29 | 532 12 19-80 | Rod, Hinge | 164 | 532 17 49-76 | Bracket Asm Idler Support |
| 30 | 532 17 39-84 | Screw Thdrol Hex | 168 | 532 17 23-77 | Bracket Deck Cable |
| 31 | 532 12 99-63 | Washer, Spacer | 169 | 532 17 49-77 | Bracket Asm Suspension |
| 32 | 532 15 35-31 | Pulley, Mandrel | 170 | 532 17 23-59 | Bracket Suspension RF |
| 33 | 532 17 83-42 | Nut, Toplock, Flanged | 171 | 532 16 52-37 | Brace Support Susp. Frt |
| 34 | 872 11 06-14 | Bolt Rdhd 3/8-16 x 1-3/4 | 172 | 532 17 23-55 | Bracket Suspension LF |
| 36 | 532 13 14-94 | Pulley, Idler, Flat | -- | 532 13 07-94 | Mandrel Assembly (Includes Housing, Shaft and Shaft Hardware Only-Pulley Not Included) |
| 40 | 873 68 06-00 | Nut Crownlock 3/8-16 | -- | 532 18 13-76 | Replacement Mower, Complete |
| 45 | 532 12 47-88 | Retainer, Spring | | | |
| 53 | 532 13 08-40 | Brake Assembly | | | |
| 54 | 532 13 39-43 | Washer, Hardened | | | |
| 55 | 532 13 38-40 | Idler Arm Assembly | | | |
| 56 | 532 16 57-23 | Spacer, Retainer | | | |
| 67 | 532 10 69-32 | Knob RD 3/8-16 Plstc Thd | | | |

NOTE: All component dimensions given in U.S. inches
 1 inch = 25.4 mm

REPAIR PARTS

TRACTOR - MODEL NO. LT14A (JLTA14A), PRODUCT NO. 954 13 00-59
MOWER LIFT



REPAIR PARTS

TRACTOR - MODEL NO. LT14A (JLTA14A), PRODUCT NO. 954 13 00-59

MOWER LIFT

| KEY NO. | PART NO. | DESCRIPTION |
|---------|--------------|-----------------------------------|
| 1 | 532 15 94-60 | Washer Asm Inner Spring W/Plunger |
| 2 | 532 15 94-71 | Shaft Asm. Lift |
| 3 | 532 10 57-67 | Pin Groove |
| 4 | 812 00 00-02 | E Ring #5133-62 |
| 5 | 819 21 16-21 | Washer 21/32 x 1 x 21 Ga |
| 6 | 532 12 01-83 | Bearing Nylon |
| 7 | 532 10 94-13 | Grip Handle |
| 8 | 532 12 23-65 | Button Plunger |
| 11 | 532 13 98-65 | Link Lift LH |
| 12 | 532 13 98-66 | Link Lift RH |
| 13 | 532 12 46-70 | Retainer Spring |
| 15 | 532 17 32-88 | Link Front |
| 16 | 873 35 08-00 | Nut Jam Hex 1/2-13 Unc |
| 17 | 532 17 56-89 | Trunnion |
| 18 | 873 80 08-00 | Nut Lock W/Wsh 1/2-13 Unc |
| 19 | 532 13 98-68 | Arm Suspension Mower |
| 20 | 532 16 35-52 | Retainer Spring |
| 31 | 532 16 98-65 | Bearing Pvt. Lift |
| 32 | 873 54 06-00 | Nut Crownlock 3/8-24 |

NOTE: All component dimensions given in U.S. inches
1 inch = 25.4 mm