

# ICT16 A

**Spare parts**

**Ersatzteile**

**Pièces détachées**

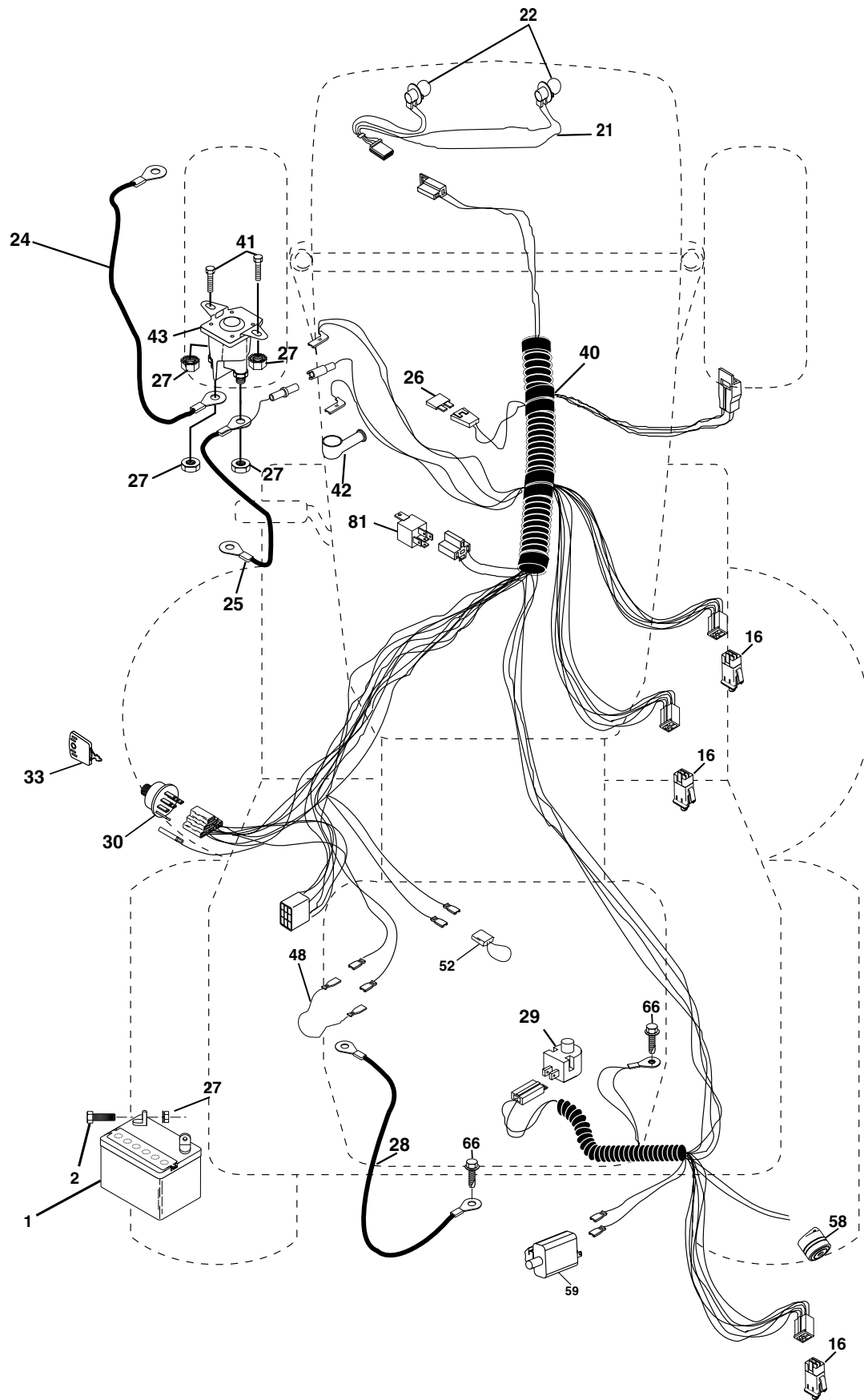
**Reserve onderdelen**

**Repuestos**

**Reservdelar**

# REPAIR PARTS

TRACTOR- -MODEL NO. ICT16A (JICTH16J), PRODUCT NO. 954 13 00-66  
ELECTRICAL



# REPAIR PARTS

TRACTOR- -MODEL NO. ICT16A (JICTH16J), PRODUCT NO. 954 13 00-66  
ELECTRICAL

KEY NO.	PART NO.	DESCRIPTION
1	532 16 34-65	Battery
2	874 76 04-12	Bolt Hex Hd 1/4-20 Unc X 3/4
16	532 17 61-38	Switch Interlock
21	532 17 56-88	Harness Asm Light W/4152J
22	532 00 41-52	Bulb Light #1156
24	532 12 47-80	Cable Starter 6Ga 11" Red
25	532 16 59-87	Cable Battery Crd 56" Red
26	532 17 51-58	Fuse
27	873 51 04-00	Nut Keps Hex 1/4-20 Unc
28	532 12 77-25	Cable Ground 6Ga 18" Black
29	532 16 07-84	Switch Plunger Normal Op Olive
30	532 17 55-66	Switch Ignition
33	532 14 04-01	Key Ign
40	532 17 97-28	Harness Ign
41	871 11 04-08	Bolt Flk Fin Hex 1/4-20 Unc X 1/2
42	532 13 15-63	Cover Terminal Red
43	532 17 88-61	Solenoid
48	532 14 08-44	Adapter Ammeter Rectangular
52	532 14 19-40	Protection Wire Loop
58	532 16 94-19	Buzzer Crd
59	532 18 03-79	Switch FBI CRD
66	817 49 06-08	Screw Thdrol 3/8-16 x 1/2 Ty-Tt
81	532 10 97-48	Relay Asm

**NOTE:** All component dimensions given in U.S. inches.  
1 inch = 25.4 mm.



# REPAIR PARTS

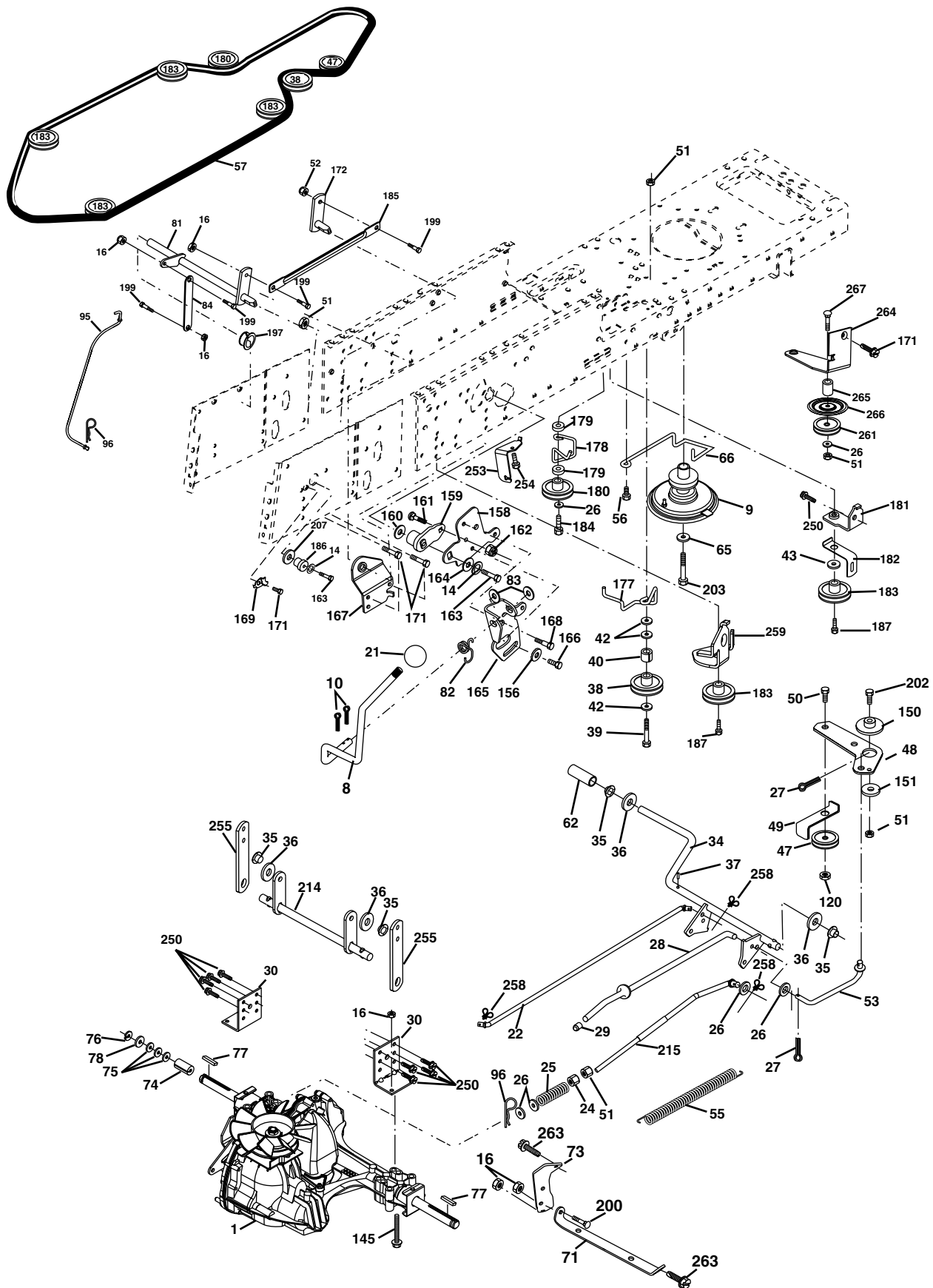
## TRACTOR- -MODEL NO. ICT16A (JICTH16J), PRODUCT NO. 954 13 00-66 CHASSIS AND ENCLOSURES

KEY NO.	PART NO.	DESCRIPTION	KEY NO.	PART NO.	DESCRIPTION
1	532 17 46-20	Chassis	57	874 78 04-12	Bolt Fin Hex 1/4-20 Unc x .75
2	532 18 03-84	Drawbar	69	532 14 24-32	Screw Hex 1/4-1/2 UNC
3	817 06 06-12	Screw 3/8-16 x 3/4	89	532 18 13-60	Console
5	532 15 52-72	Bumper Hood/Dash	145	532 15 65-24	Rod Pivot Chassis/Hood
6	532 15 59-23	Saddle	161	532 16 46-55	Bumper Extrusion .600 x 3.50
8	532 12 64-71	Clip Insulator 13/32 Mtg. Hole	162	532 18 03-82	Bracket Exten Chassis Lh CRD
9	532 17 22-43	Dash	163	532 18 03-83	Bracket Exten Chassis Rh CRD
10	872 14 06-08	Bolt, Carriage 3/8-16 x 3/4	164	532 16 56-05	Support Battery CRD
11	532 17 49-96	Panel, Dash, L.H.	165	532 18 13-56	Cover Battery
12	532 14 56-60	Clip Tinnerman	170	532 17 88-62	Backplate Asm CRD
13	532 17 21-06	Panel, Asm. Dash R.H.	171	872 14 06-20	Bolt Rdhd Sqnk 3/8-16 x 2-1/2 Gr. 5
15	874 18 05-12	Screw, Machine, Truss Head 5/16-18 UNC x 3/4	172	819 13 20-16	Washer 13/32 x 1-1/4 x 16 Ga.
16	873 51 05-00	Nut	173	873 51 06-00	Nut, Keps Hex 3/8-16 UNC
17	532 15 07-60	Hood	175	532 18 03-10	Guard Trap
18	532 12 69-38	Bumper Hood	179	532 18 03-76	Rod Pivot FBI CRD
20	532 18 06-79	Plate Mtg Battery/Tank Fuel Fr.	184	532 17 46-62	Bracket Actuator Bagger CRD
24	874 78 06-16	Bolt	185	532 18 11-01	Knob Rod Brake Parking
25	819 13 13-12	Washer 13/32 x 13/16 x 12 Gauge	186	532 16 07-93	Latch Asm Mulch/Bagger
26	873 80 06-00	Nut	187	532 12 50-04	Nut Weld
28	532 17 93-51	Grille /Lens Asm	188	819 06 12-16	Washer #10
29	532 17 90-14	Lens, Grille	189	810 07 10-00	Washer Lock #10
30	532 18 13-59	Fender	190	871 08 10-10	Screw Pan Hd Phillip 10-24 x 5/8
31	532 16 51-56	Bracket, Fender Support	198	532 16 89-37	Nut, Push
33	532 18 11-93	Footrest, L.H.	205	817 49 06-08	Screw Thdrol 3/8-16 x 1/2
34	532 18 11-94	Footrest, R.H.	207	817 67 05-08	Screw Thdrol. 5/16-18 x 1/2
35	872 11 06-06	Bolt	208	817 67 06-08	Screw Thdrol 3/8-16 x 1/2
37	817 49 05-08	Screw Thdrol 5/16-18 x 1/2 TYT	209	817 00 06-12	Screw Hex Wsh Thdrol 3/8-16
38	532 18 17-48	Bracket Asm Pivot Mower Rear	212	532 16 59-19	Insert Lens Reflective
51	873 80 04-00	Nut Lock w/Insert 1/4-20	214	532 12 47-88	Retainer Spring
52	819 09 14-16	Washer 9/32 x 7/8 x 16 Ga.	219	817 00 05-12	Screw 5/16-18 x 3/4
53	532 14 52-01	Bracket Grille LH	256	532 18 13-61	Cover Fender
54	532 16 14-64	Screw Hex Wshd 8-18 x 7/8			
55	532 14 52-02	Bracket grille RH			

**NOTE:** All component dimensions given in U.S. inches.  
1 inch = 25.4 mm.

# REPAIR PARTS

TRACTOR- -MODEL NO. ICT16A (JICTH16J), PRODUCT NO. 954 13 00-66  
DRIVE



# REPAIR PARTS

TRACTOR- -MODEL NO. ICT16A (JICTH16J), PRODUCT NO. 954 13 00-66

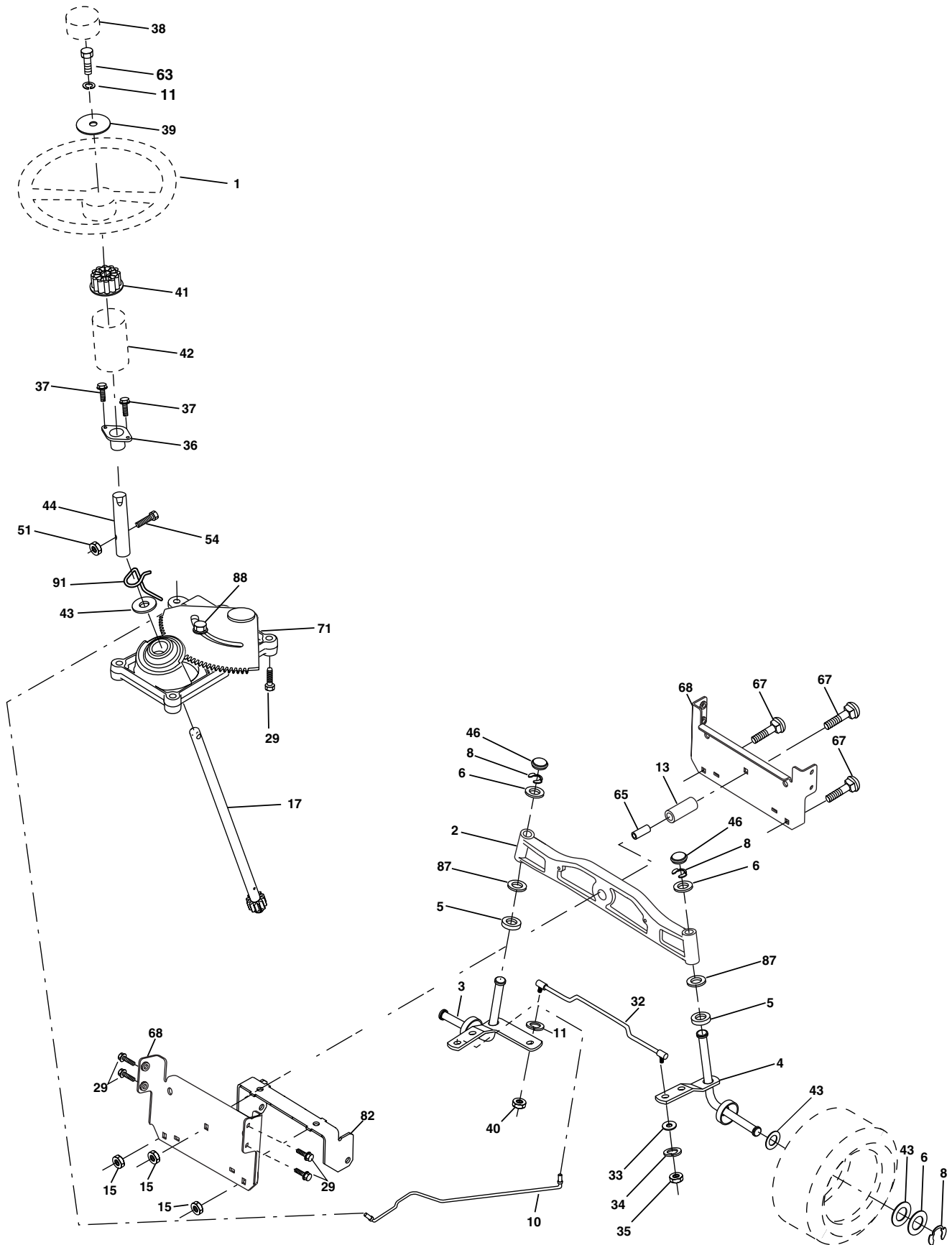
## DRIVE

KEY NO.	PART NO.	DESCRIPTION	KEY NO.	PART NO.	DESCRIPTION
1	-----	Transaxle Hydro Gear 321-0510 (Order parts from transaxle manufacturer)	120	873 90 06-00	Nut Lock Flg. 3/8-16 Unc
8	532 16 56-19	Rod, Shift Fender Adjust Lt	145	874 49 05-44	Bolt Hex FGHD 5/16-18 x Gr 5
9	532 18 03-54	Clutch Noram	150	532 16 58-50	Bushing, Bellcrank Grnd Dr
10	876 02 04-16	Pin, Cotter 1/8 x 1	151	819 13 32-10	Washer 13/32 x 2 x 10 Ga.
14	810 04 04-00	Washer, Lock Hvy Helical	156	532 16 60-02	Washer Srrted 5/16ID x 1.125
16	873 80 05-00	Nut, Lock Hex w/Ins 5/16-18 UNC	158	532 16 55-89	Bracket Shift Mount
21	532 13 05-64	Knob 1/2-13	159	532 16 54-94	Hub Tapered Flange Shift Lt
22	532 17 56-07	Rod, Brake	160	819 29 20-16	Washer 29/32 x 1-1/4 x 16 Ga.
24	873 35 06-00	Nut	161	872 14 04-06	Bolt Rdhd Sqnk 1/4-20 x 3/4 Gr 5
25	532 10 68-88	Spring, Rod, Brake	162	873 68 04-00	Nut Crownlock 1/4-20 Unc
26	819 13 13-16	Washer 13/32 x 13/16 x 16 Ga.	163	874 78 04-16	Bolt Hex Fin 1/4-20 Unc x 1 Gr 5
27	876 02 04-12	Pin, Cotter 1/8 x 3/4	164	819 09 10-10	Washer 5/8 x .281 x 10 Ga.
28	532 17 57-65	Rod, Parking Brake	165	532 16 56-23	Bracket Pivot Lever
29	532 07 16-73	Cap, Parking Brake	166	532 16 68-80	Screw 5/16-18 x 5/8
30	532 16 95-92	Bracket, Mfg. Transaxle	167	532 16 55-88	Bracket Support Shift CRD
34	532 17 55-78	Shaft, Asm Pedal Foot CRD	168	532 16 54-92	Bolt Shoulder 5/16-18 x .561
35	532 12 01-83	Bearing, Nylon	169	532 16 55-80	Plate Fastening Lt
36	819 21 16-16	Washer 21/32 x 1 x 16 Ga.	171	817 49 06-08	Screw Thdrol 3/8-16 x 1/2 Ty-Tt
37	532 12 49-63	Pin, Roll 3/16 x 1"	172	532 17 02-71	Shaft Asm Shifter Frt CRD
38	532 16 59-36	Pulley Flat Composite 3.06"	177	532 16 59-32	Keeper Flat Idler 3.06" CRD
39	874 76 06-44	Bolt Fin Hex 3/8-16 Unc x 2-3/4	178	532 16 59-33	Keeper Belt Idler 1.88" CRD
40	532 12 49-65	Spacer, Split 395 x 59 Bzp	179	532 12 09-58	Washer Sintered
42	819 13 13-12	Washer 13/32 x 13/16 x 12 Ga.	180	532 16 56-30	Pulley, Idler, Flat 1.88"CRD
43	819 11 10-12	Washer 11/32 x 5/8 x 12 Ga.	181	532 18 02-11	Bracket Idler Ground Drive CRD
47	532 12 77-83	Pulley, Idler, V Groove Plasitc	182	532 18 26-82	Keeper Belt 2.5" Idler CRD
48	532 15 44-07	Bellcrank Clutch Grnd Drv	183	532 17 90-50	Pulley V-Idler 2.50" Od CRD
49	532 12 32-05	Retainer, Belt Style Spring	184	817 49 06-44	Screw Hexwsh Thdrol 3/8-16 x 2-3/4
50	874 76 06-24	Bolt Hex Hd 3/8-16 UNC x 1-1/2	185	532 17 00-08	Link Shift
51	873 68 06-00	Nut, Crownlock 3/8-16 UNC	186	532 16 56-14	Hub Tapered Round CRD
52	873 68 05-00	Nut Crownlock 5/16-18	187	817 58 05-20	Screw Thdrol 5/16-18 x 1.25
53	532 10 57-10	Link, Clutch 7.66	197	532 16 96-13	Nyliner Snap-In 5/8
55	532 10 57-09	Spring, Return, Clutch	199	532 16 96-12	Bolt Shoulder 5/16-18 Unc
56	817 06 06-20	Screw 3/8-16 x 1-1/4	200	872 14 05-08	Bolt RDHD SQNK 5/16-18 x 1
57	532 17 01-40	V-Belt Kev 112" 0650 CRD	202	872 11 06-14	Bolt 3/8-16 x 1-3/4 Gr. 5
62	532 12 48-72	Cover, Pedal	203	871 17 07-80	Bolt Hex 7/16-20 x 5
65	810 04 07-00	Washer	207	532 16 98-45	Washer Nylon Rear
66	532 15 47-78	Keeper, Belt Engine F-Proof	214	532 17 56-09	Shaft Asm. Brake
71	532 16 91-83	Strap, Torque, Lh	215	532 17 56-52	Rod Brake Hydro
73	532 16 91-82	Strap, Torque, Rh	250	817 06 06-12	Screw 3/8-16 x .75
74	532 13 70-57	Spacer, Split	253	532 17 50-28	Bracket Cable Chassis
75	532 12 17-49	Washer 25/32 x 1-1/4 x 16 Ga.	254	817 06 06-16	Screw 3/8-16 x 1
76	812 00 00-01	Ring, E	255	532 17 56-08	Brace Shaft Brake Mtg.
77	532 12 35-83	Key, Square	258	532 17 80-62	Clip Retainer
78	532 12 17-48	Washer 25/32 x 1-5/8 x 16 Ga.	259	532 18 02-12	Bracket Pulley Idl Hygrd
81	532 17 00-06	Asm, Shaft	261	532 13 14-94	Pulley Idler Flt
82	532 16 57-11	Spring, Torsion	264	532 18 19-95	Bracket Clutch Mounting
83	819 17 12-16	Washer 17/32 x 3/4 x 16 Ga.	265	532 18 20-13	Spacer Idler Chassis
84	532 17 00-07	Link, Transaxle	266	532 18 20-61	Shield Idler Mower
95	532 17 00-15	Rod By-Pass	267	872 14 06-26	Bolt Rdhd 3/8-16unc x 3
96	532 12 47-88	Spring, Retainer 1"			

**NOTE:** All component dimensions given in U.S. inches  
1 inch = 25.4 mm

# REPAIR PARTS

TRACTOR- -MODEL NO. ICT16A (JICTH16J), PRODUCT NO. 954 13 00-66  
STEERING ASSEMBLY





# REPAIR PARTS

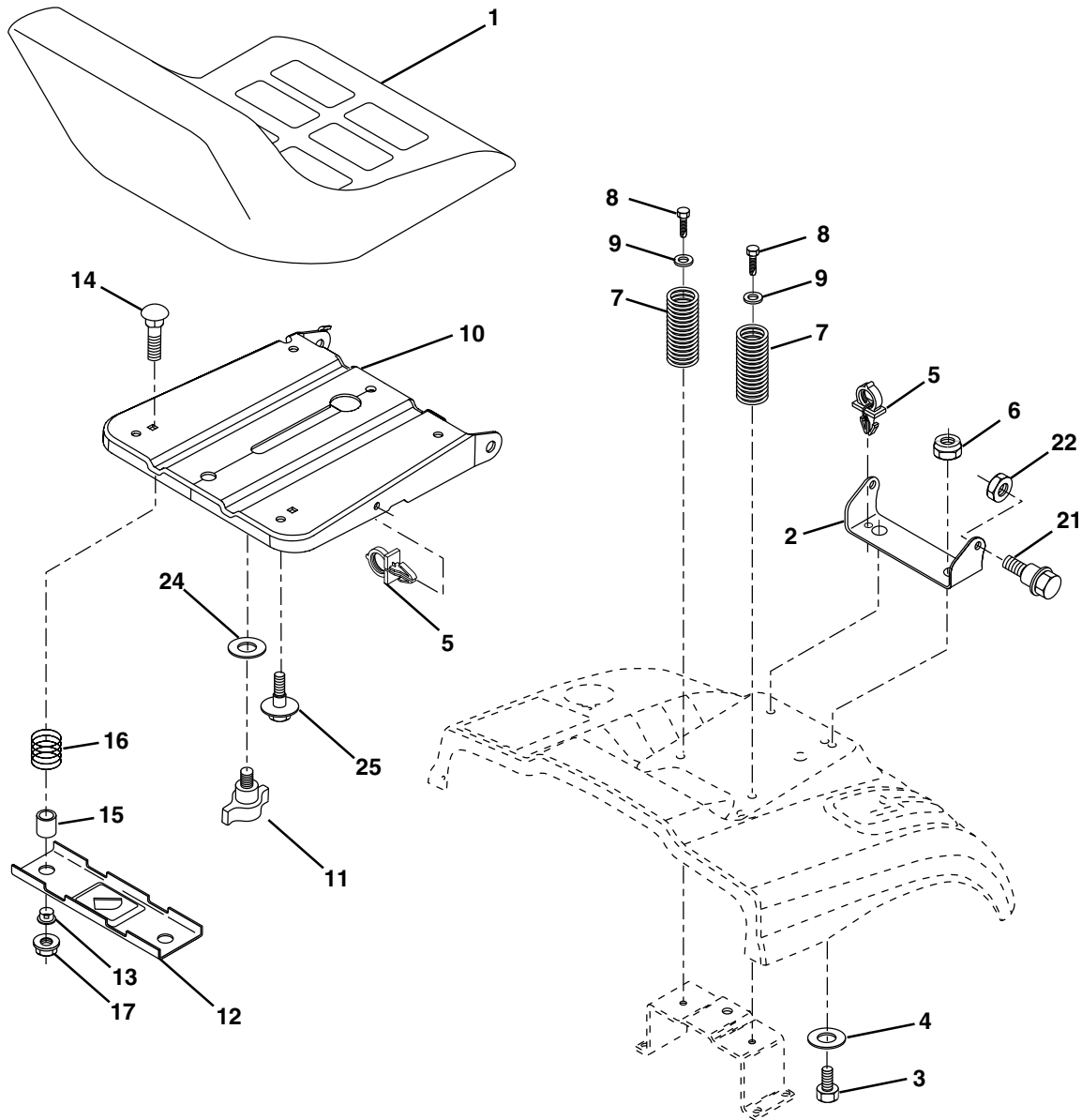
## TRACTOR- -MODEL NO. ICT16A (JICTH16J), PRODUCT NO. 954 13 00-66 STEERING ASSEMBLY

KEY NO.	PART NO.	DESCRIPTION
1	532 17 20-92	Steering Wheel
2	532 17 23-93	Front Axle Assembly
3	532 16 98-40	Spindle Assembly, L.H.
4	532 16 98-39	Spindle Assembly, R.H.
5	532 12 49-31	Bearing, Race, Thrust, Hardened
6	532 12 17-48	Washer 25/32 x 1-5/8 x 16 Gauge
8	812 00 00-29	Ring, Klip
10	532 17 51-21	Link, Drag
11	810 04 06-00	Washer, Lock
13	532 13 65-18	Spacer Axle
15	532 14 52-12	Nut Hex Flange Lock
17	532 17 78-76	Shaft Assembly, Steering
29	817 06 06-12	Screw 3/8-16 x 3/4
32	532 17 01-62	Rod, Tie
33	819 11 12-16	Washer 11/32 x 3/4 x 16 Ga.
34	810 04 05-00	Washer Lock Hvy Hlcl Spr 5/16
35	873 54 05-00	Crownlock Nut 5/16-24 Unf
36	532 15 50-99	Bushing, Steering
37	532 15 29-27	Screw TT #10-32 x 5 x 3/8 Flange
38	532 17 20-93	Cap Wheel Steer
39	819 13 24-11	Washer 13/32 x 1-1/20 x 11 Gauge
40	532 12 47-01	Nut Lock Center 3/8-24 Unf
41	532 15 99-45	Adaptor, Steering Wheel
42	532 16 96-33	Boot, Steering Dash P/L Mtl
43	532 12 17-49	Washer 25/32 x 1-1/4 x 16 Gauge
44	532 15 37-20	Extension Steering
46	532 12 12-32	Cap, Spindle
51	873 80 05-00	Nut Lock Hx W/Ins 5/16-18 UNC
54	874 78 05-20	Bolt Fin Hex 5/16-18 UNC x 1-1/4
63	874 78 06-16	Bolt Fin Hex 3/8-16 unc. x 1 Gr. 5
65	532 16 03-67	Spacer Axle
67	872 14 06-18	Bolt Rdhd Sq 3/8-16 x 2-1/4
68	532 16 98-27	Brace Axle
71	532 17 51-46	Steering Asm.
82	532 16 98-35	Bracket Susp. Chassis Front
87	532 17 39-66	Washer Flat .781 x 1-1/2 x .14
88	532 17 51-18	Bolt Shoulder 7/16-20 Unc
91	532 17 55-53	Clip Steering

**NOTE:** All component dimensions given in U.S. inches.  
1 inch = 25.4 mm.

# REPAIR PARTS

## TRACTOR- -MODEL NO. ICT16A (JICTH16J), PRODUCT NO. 954 13 00-66 SEAT ASSEMBLY



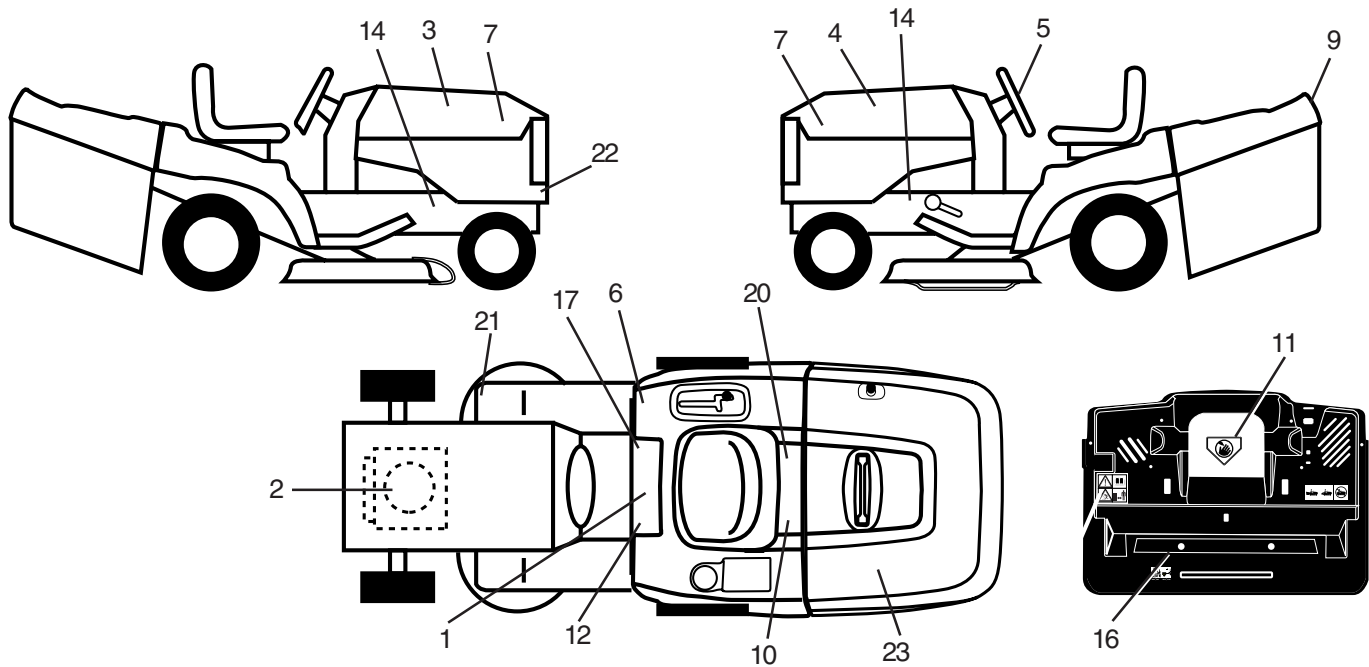
KEY NO.	PART NO.	DESCRIPTION
1	532 14 01-18	Seat
2	532 14 05-51	Bracket Pnt Pivot Seat (blk )
3	871 11 06-16	Bolt Fin Hex 3/8-16unc x 1
4	819 13 16-10	Washer Flat 13/32 x 1 x10 Ga.
5	532 14 50-06	Clip Push In Hinged
6	873 80 06-00	Nut Lock Hex 3/8-16 UNC
7	532 12 41-81	Spring Seat Cprsn 2 250 Blk Zi
8	817 00 06-16	Screw 3/8-16 X 1.5
9	819 13 16-14	Washer 13/32 X 1 X 14 Ga
10	532 18 24-93	Pan Pnt Seat
11	532 16 63-69	Knob Seat Adj. Wingnut
12	532 12 12-46	Bracket Pnt Mounting Switch

KEY NO.	PART NO.	DESCRIPTION
13	532 12 12-48	Bushing Snap Blk Nyl 50 Id
14	872 05 04-12	Bolt Rdhd Sht Nk 1/4-20x1-1/2
15	532 12 12-49	Spacer Split
16	532 12 37-40	Spring Cprsn
17	532 12 39-76	Nut Lock 1/4 Lge Flg Gr 5 Zinc
21	532 17 18-52	Bolt Shoulder 5/16-18 Unc-2A
22	873 80 05-00	Nut Hex Lock w/Ins 5/16-18
24	819 17 19-12	Washer 17/32 X 1-3/16 X 12 Ga.
25	532 12 70-18	Bolt Shoulder 5/16-18 X 62

**NOTE:** All component dimensions given in U.S. inches.  
1 inch = 25.4 mm

# REPAIR PARTS

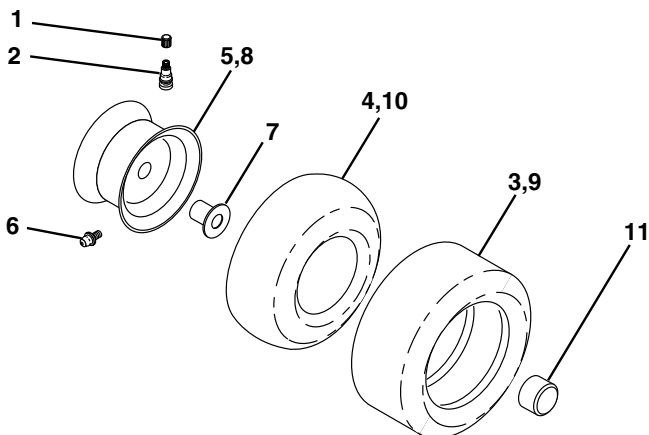
TRACTOR- -MODEL NO. ICT16A (JICTH16J), PRODUCT NO. 954 13 00-66  
DECALS



KEY NO.	PART NO.	DESCRIPTION
1	532 14 54-98	Decal Read Owner's Manual Sym
2	532 18 04-34	Decal Hp Engine
3	532 17 05-33	Decal Hood Rh
4	532 17 05-34	Decal Hood Lh
5	532 17 05-65	Decal Wheel Steering
6	532 18 04-32	Decal 100 DB/CE
7	532 16 29-27	Decal Panel Side B&S Logo
9	532 14 17-61	Decal Fender Logo
10	532 14 50-05	Decal Bat Dan/Poi P/L Sym Wpn
11	532 18 21-66	Decal Mower Cut Finger CE
12	532 15 97-37	Decal Brake/Clutch Symbol Lt
14	532 15 97-36	Decal Chassis Hot Muffler

KEY NO.	PART NO.	DESCRIPTION
16	532 18 04-35	Decal Backplate
17	532 14 08-37	Decal Saddle Brake Parking
20	532 16 69-60	Decal Bypass Fender CRD
21	532 16 62-86	Decal Hex Belt Sch 92 CRD
22	532 15 22-62	Decal Grille Logo
23	532 17 06-54	Decal Bagger Top Sup Vac
—	532 13 83-11	Decal Lift Handle
—	532 18 10-90	Pad Footrest RH
—	532 18 10-91	Pad Footrest LH
—	532 18 26-21	Decal Bagger Asm. Frame
—	532 18 00-13	Manual Operator's (Euro)
—	532 18 00-14	Manual Operator's (Scan)

## WHEELS & TIRES

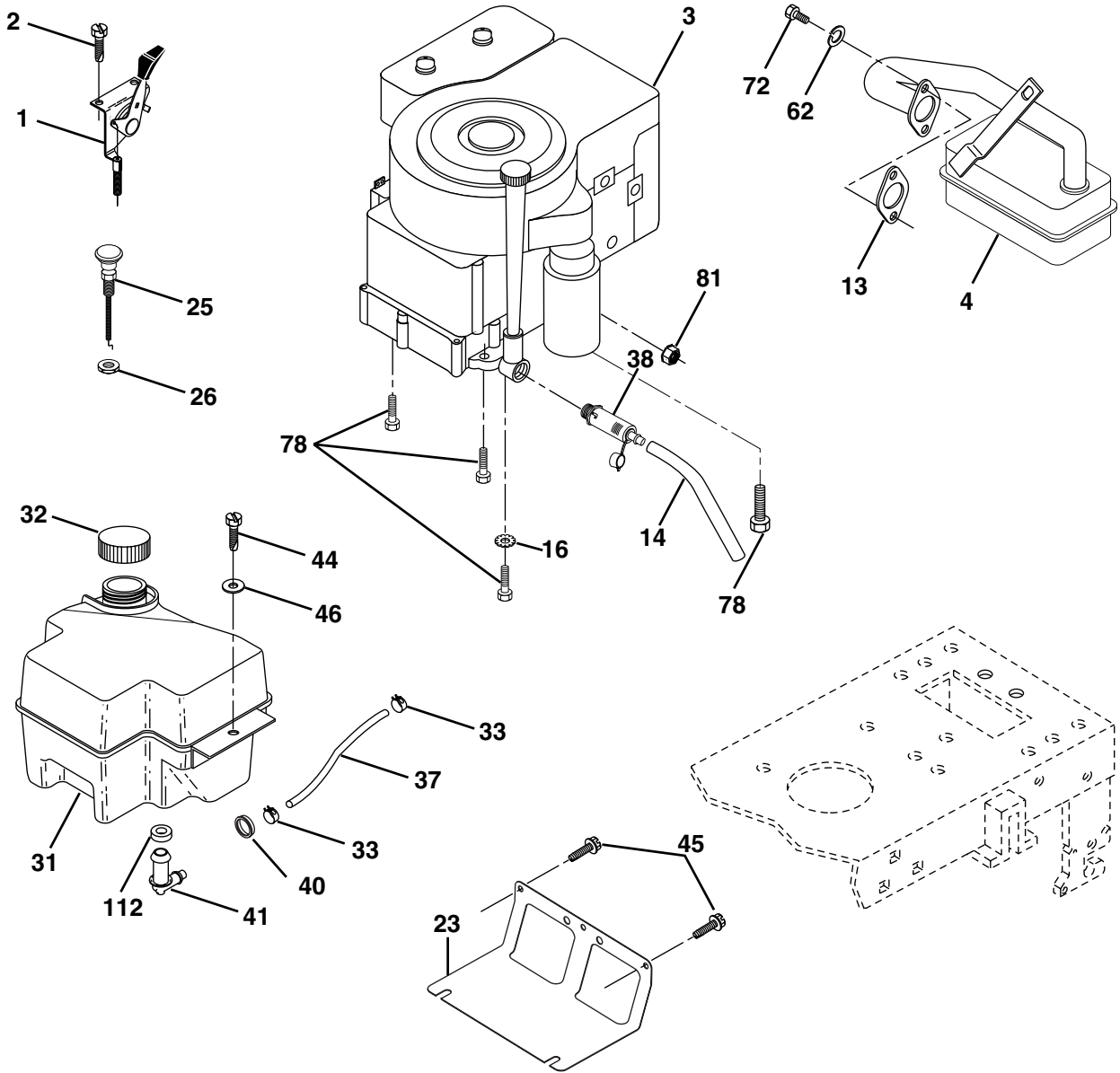


KEY NO.	PART NO.	DESCRIPTION
1	532 05 91-92	Cap Value Tire
2	532 06 51-39	Stem Value
3	532 10 62-22	Tire F Ts 15 X 6 0 - 6 Service
4	532 05 99-04	Tube Inner Front #35060
5	532 13 83-36	Rim Asm 6"front Silver Service
6	532 12 49-57	Fitting Grease
7	532 12 49-59	Bearing Flange
8	532 13 83-37	Rim Asm 8"rear Silver Service
9	532 13 84-68	Tire R Ts 20 x 8-8 Service
10	532 12 49-26	Tube Rear 9 5 X 8 Service
11	532 17 50-39	Cap Axle Blk 1 50 X 1 00
--	532 14 43-34	Sealant, Tire (10 oz. tube)

**NOTE:** All component dimensions given in U.S. inches  
1 inch = 25.4 mm

# REPAIR PARTS

TRACTOR- -MODEL NO. ICT16A (JICTH16J), PRODUCT NO. 954 13 00-66  
ENGINE



29

**OPTIONAL EQUIPMENT**  
**Spark Arrester**

# REPAIR PARTS

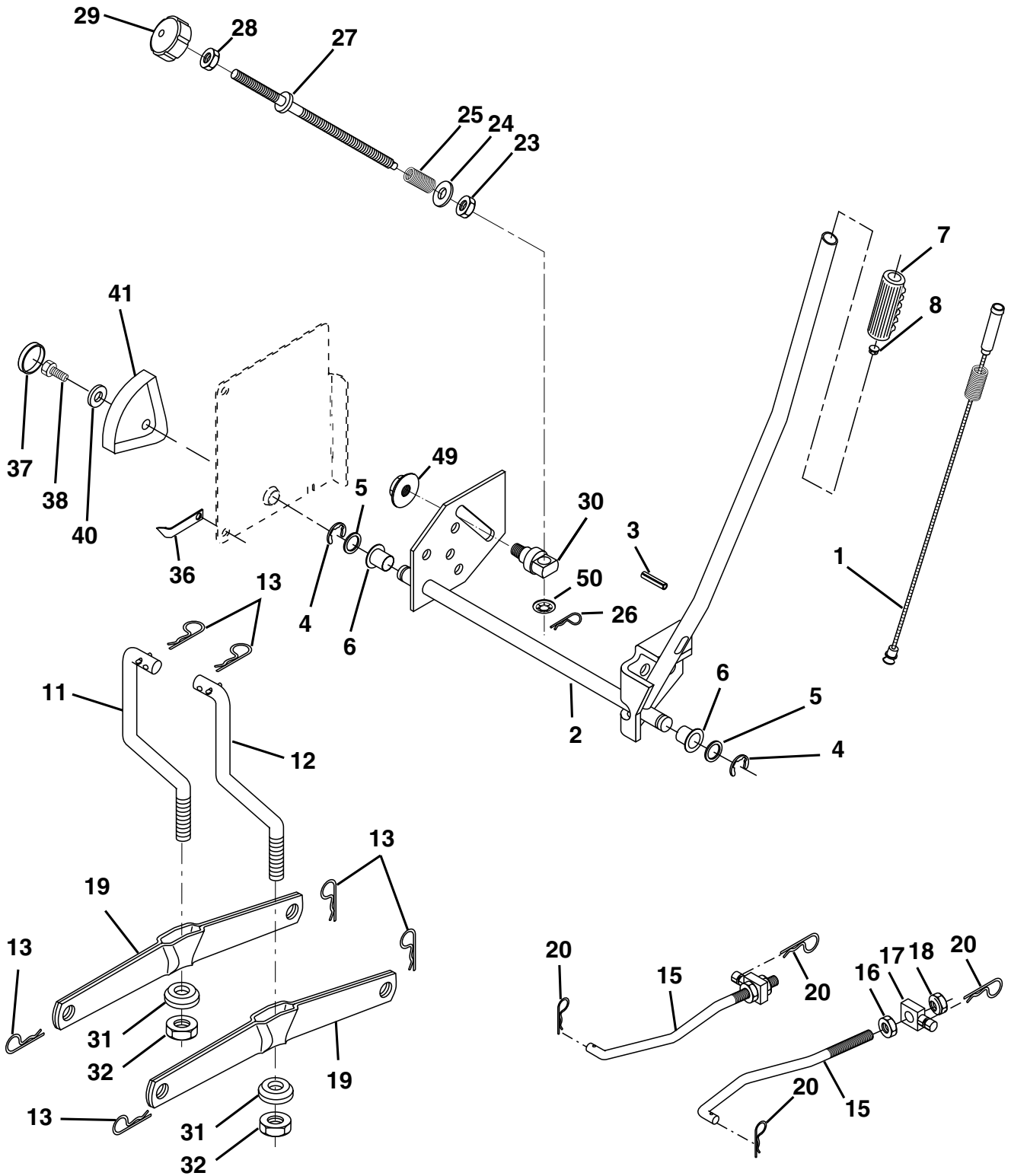
TRACTOR- -MODEL NO. ICT16A (JICTH16J), PRODUCT NO. 954 13 00-66  
ENGINE

KEY NO.	PART NO.	DESCRIPTION
1	532 17 05-51	Control Throt/Ck
2	817 72 04-08	Screw Hex Thd Cut 1/4-20 x 1/2
3	-----	Engine B&S Model 31G777 (Order parts from engine manufacturer)
4	532 13 73-52	Muffler
13	532 16 52-91	Gasket Muffler
14	532 14 84-56	Tube Drain Oil Easy
16	811 05 06-00	Washer Lock Ext Tooth 3/8
23	532 16 98-37	Shield Brn/Dbr Guard
25	532 18 09-45	Control Choke
26	873 92 06-00	Nut Keps 3/8-24 Unf
29	532 13 71-80	Kit Spark Arrestor (Flat Scrm)
31	532 18 06-45	Tank Fuel 2.00
32	532 14 05-27	Cap Asm Fuel W/sym Vented
33	532 12 34-87	Clamp Hose Blk
37	532 13 70-40	Line Fuel
38	532 14 83-15	Plug Drain Oil Easy
40	532 12 40-28	Bushing Snap
41	532 13 92-77	Stem Fuel Line
44	817 67 04-12	Screw Hexwsh thdrol 1/4-20 x 3/4
45	817 00 06-12	Screw Hexwsh Thdr 3/8-16 x 3/4
46	819 09 14-16	Washer 9/32 x 7/8 x 16 Ga.
62	810 04 05-00	Washer, Lock Hvy. Hlcl Spr 5/16
72	871 07 05-12	Screw Hex Hd Cap 5/16-18 x 3/4
78	817 06 06-20	Screw 3/8-16 x 1/4
81	873 51 04-00	Nut Keps Hex 1/4-20 Unc
112	532 12 49-52	Bushing

**NOTE:** All component dimensions given in U.S. inches  
1 inch = 25.4 mm

# REPAIR PARTS

TRACTOR- -MODEL NO. ICT16A (JICTH16J), PRODUCT NO. 954 13 00-66  
MOWER LIFT



# REPAIR PARTS

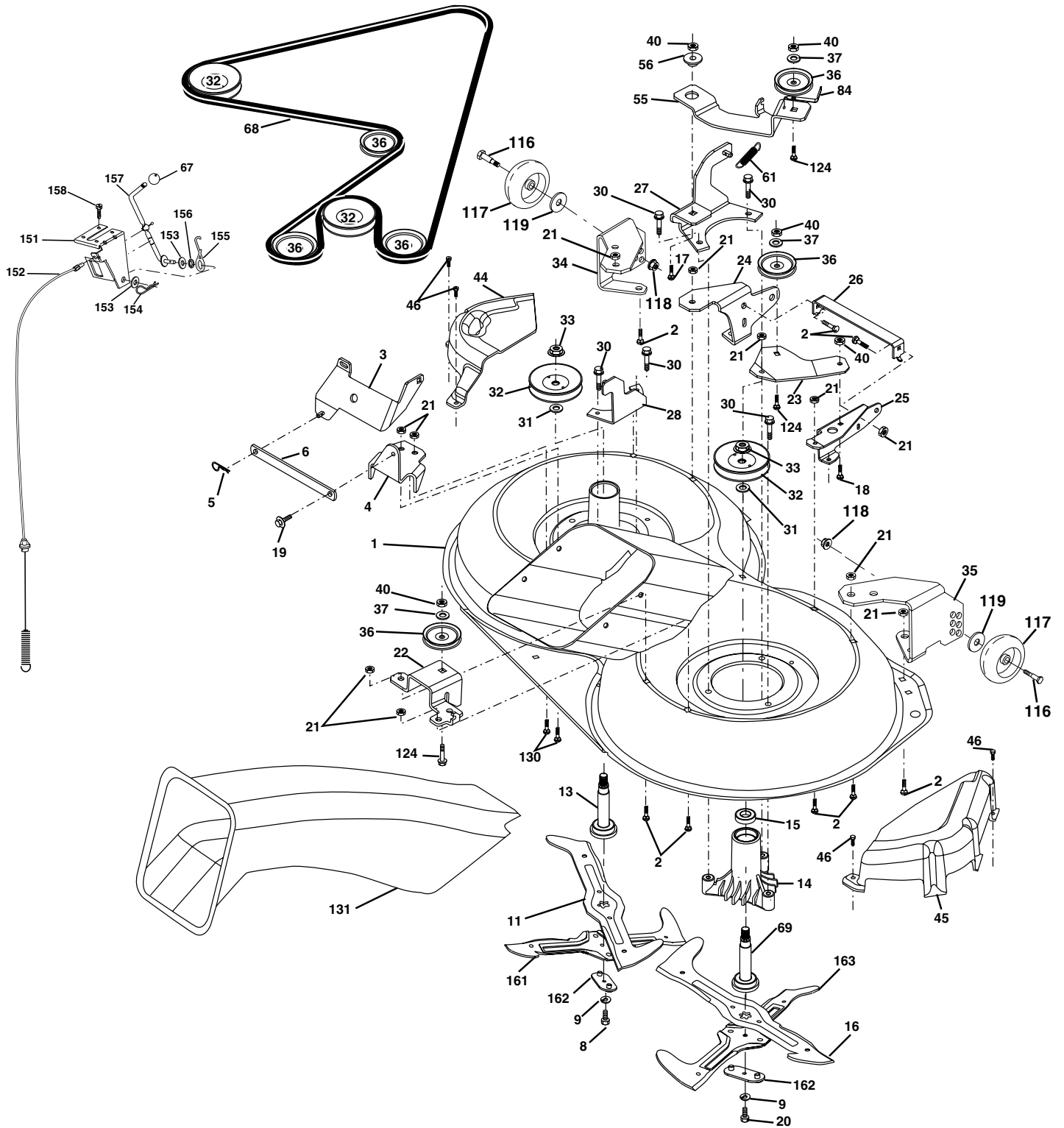
TRACTOR- -MODEL NO. ICT16A (JICTH16J), PRODUCT NO. 954 13 00-66  
MOWER LIFT

KEY NO.	PART NO.	DESCRIPTION
1	532 15 94-60	Washer Asm Inner Spring W/Plunger
2	532 15 94-71	Shaft Asm. Lift
3	532 10 57-67	Pin Groove
4	812 00 00-02	E Ring #5133-62
5	819 21 16-21	Washer 21/32 x 1 x 21 Ga.
6	532 12 01-83	Bearing Nylon
7	532 12 56-31	Grip Handle Fluted
8	532 12 45-26	Button Plunger Black
11	532 16 58-29	Link Asm Lift L.H.
12	532 16 58-31	Link Asm Lift R.H.
13	532 12 46-70	Retainer Spring
15	532 17 32-88	Link Front
16	873 35 08-00	Nut Jam Hex 1/2-13 Unc
17	532 17 56-89	Trunnion Blk Zinc
18	873 80 08-00	Nut Lock w/wsh 1/2-13 Unc
19	532 13 98-68	Arm Suspension Mower
20	532 16 35-52	Retainer Spring
23	532 11 08-07	Nut Special
24	819 13 10-16	Washer 13/32 x 5/8 x 16 Ga.
25	532 12 48-74	Spring 2-1/8"
26	532 16 94-84	Retainer Clip
27	532 12 69-71	Rod Adj Lift Zinc 7.49 Wrk Lg
28	873 35 06-00	Nut Hex Jam 3/8-16 Unc
29	532 13 80-57	Knob Inf 3/8-16 Unc Blk w/sym
30	532 15 02-33	Trunnion Infin Height
31	532 16 98-65	Bearing, Pvt. Lift.
32	873 54 06-00	Nut Crownlock 3/8-24
36	532 15 50-97	Pointer Height Indicator
37	532 12 39-35	Plug Hole Blk 1.485/1.515 Dia
38	817 06 05-16	Screw 5/16-18 x 1
40	819 11 24-10	Washer 11/32 x 1-1/2 x 10 Ga.
41	532 12 39-34	Scale Ind Height Blk
49	532 14 52-12	Nut hex Flange Lock
50	532 11 04-52	Nut Push Phos & Oil

**NOTE:** All component dimensions given in U.S. inches  
1 inch = 25.4 mm

# REPAIR PARTS

TRACTOR- -MODEL NO. ICT16A (JICTH16J), PRODUCT NO. 954 13 00-66  
MOWER





# REPAIR PARTS

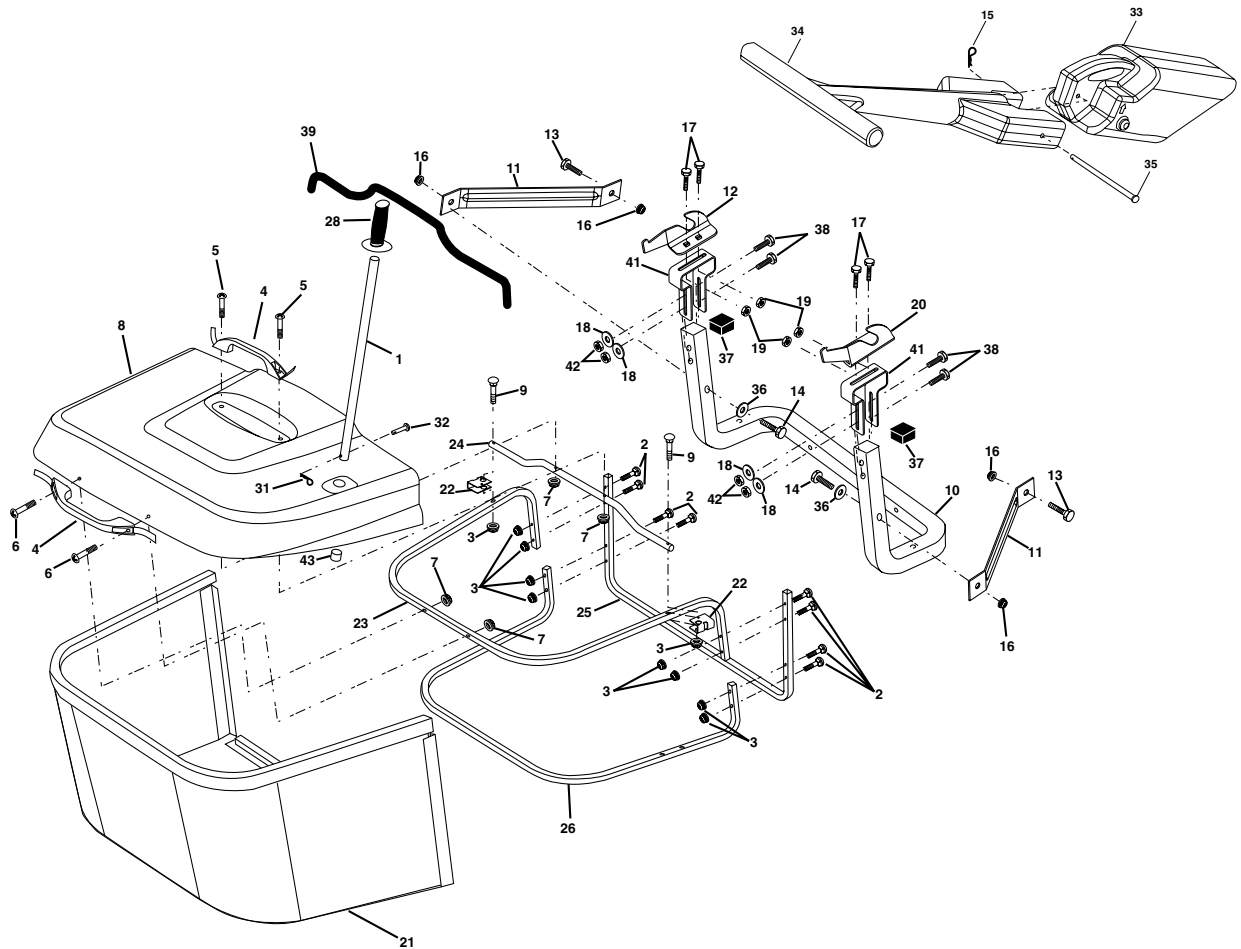
TRACTOR- -MODEL NO. ICT16A (JICTH16J), PRODUCT NO. 954 13 00-66  
MOWER

KEY NO.	PART NO.	DESCRIPTION	KEY NO.	PART NO.	DESCRIPTION
1	532 16 55-52	Housing Asm. Mower	44	532 17 55-38	Cover Mandrel Lh
2	872 14 05-06	Bolt Rdhd Sqnk 5/16-18 Unc x 3/4	45	532 17 55-39	Cover Mandrel Rh
3	532 16 55-69	Bracket Asm. S-Bar Chass	46	532 13 77-29	Screw Thd Roll 1/4-20 x 5/8
4	532 16 55-58	Bracket Bar Sway Deck	55	532 16 54-45	Arm Idler
5	532 12 46-70	Retainer Spring	56	532 16 57-23	Spacer Retainer Mower
6	532 16 55-57	Bar Sway	61	532 16 59-45	Spring Tension Belt
8	532 18 17-12	Bolt 3/8-24 x 1.25 Gr8 Patched	67	532 10 69-32	Knob Rd 3/8-16
9	810 03 06-00	Washer Lock Hvy 3/8 Unplated	68	532 18 02-17	Hex-Belt
10	532 14 02-96	Washer Hard Blade Mower vented	69	532 16 54-82	Shaft Asm W/Lwr Brg Rh Thd CRD
11	532 17 00-37	Blade 3-1 Lh	84	532 15 60-85	Keeper Belt Idler
13	532 13 76-45	Shaft Asm. W/Lower Bearing	116	532 13 76-44	Bolt Shoulder
14	532 12 87-74	Housing Mandrel Vented (Machd)	117	532 13 39-57	Wheel Gage Donut Wide
15	532 11 04-85	Bearing Ball Mandrel	118	873 93 06-00	Nut Centerlock 3/8-16 Unc
16	532 17 00-38	Blade 3-1 Rh	119	819 12 14-14	Washer 3/8 x 7/8 x 14 Ga.
17	872 14 06-10	Bolt Carriage 3/8-16 x 1-1/4	124	872 11 06-12	Bolt Carr Sh 3/8-16 x 1-1/2 Gr5
18	872 11 06-08	Bolt Rdhd Sqnk 3/8-16 x 1 Gr5	130	872 11 05-06	Bolt Rdhdsqnk 5/16-18 Unc x 3/4
19	532 13 28-27	Bolt Shoulder 5/16-18 Thd Form	131	532 16 56-61	Chute Bagger CRD 92cm
20	532 18 17-13	Bolt 3/8-24 x 1.25 Gr8 Ptch Lhthd	151	532 16 96-70	Bracket Clutch Cable
21	873 68 05-00	Nut Crown Lock 5/16-18	152	532 17 60-74	Cable Clutch
22	532 16 52-43	Bracket Idler Sprt RR	153	532 16 96-74	Washer Flat 3/8
23	532 16 54-46	Bracket Idler Sprt RF	154	532 16 96-75	Spring Retainer
24	532 16 52-42	Bracket Suspension LF	155	532 16 96-71	Spring Retention
25	532 16 52-44	Bracket Suspension RF	156	532 16 96-72	Spacer Clutch Cable
26	532 16 52-37	Brace Support Susp Frt	157	532 16 96-69	Rod Clutch Cable
27	532 16 55-68	Bracket Asm. Susp RR	158	817 72 04-08	Screw Thd. Cut 1/4-20 x 1/2
28	532 16 55-67	Bracket Asm. Susp LR	161	532 18 04-18	Blade Cross LH
30	532 17 39-84	Screw Thd Rolling	162	532 18 04-20	Adapter Blade Cross
31	532 12 99-63	Washer Spacer Mower Vented	163	532 18 04-19	Blade Cross RH
32	532 15 35-31	Mandrel Pulleys	-	532 18 18-57	Mandrel Asm Service
33	532 17 83-42	Nut Flg Top Lock	-	532 18 18-58	Mandrel Asm CRD Lh Threads SVC
34	532 16 52-39	Bracket Gauge Wheel Lf	-	532 18 17-65	Replacement Mower Complete
35	532 16 52-38	Bracket Gauge Wheel Rf			
36	532 14 67-63	Pulley Idler V-Groove Dim 4.25			
37	819 13 13-16	Washer 11/32 x 13/16 x 16 Ga			
40	873 68 06-00	Nut Crownlock 3/8-16 Unc			

**NOTE:** All component dimensions given in U.S. inches  
1 inch = 25.4 mm

# REPAIR PARTS

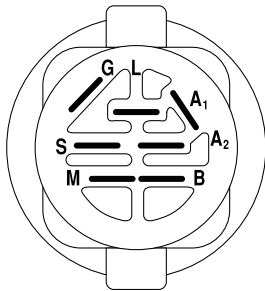
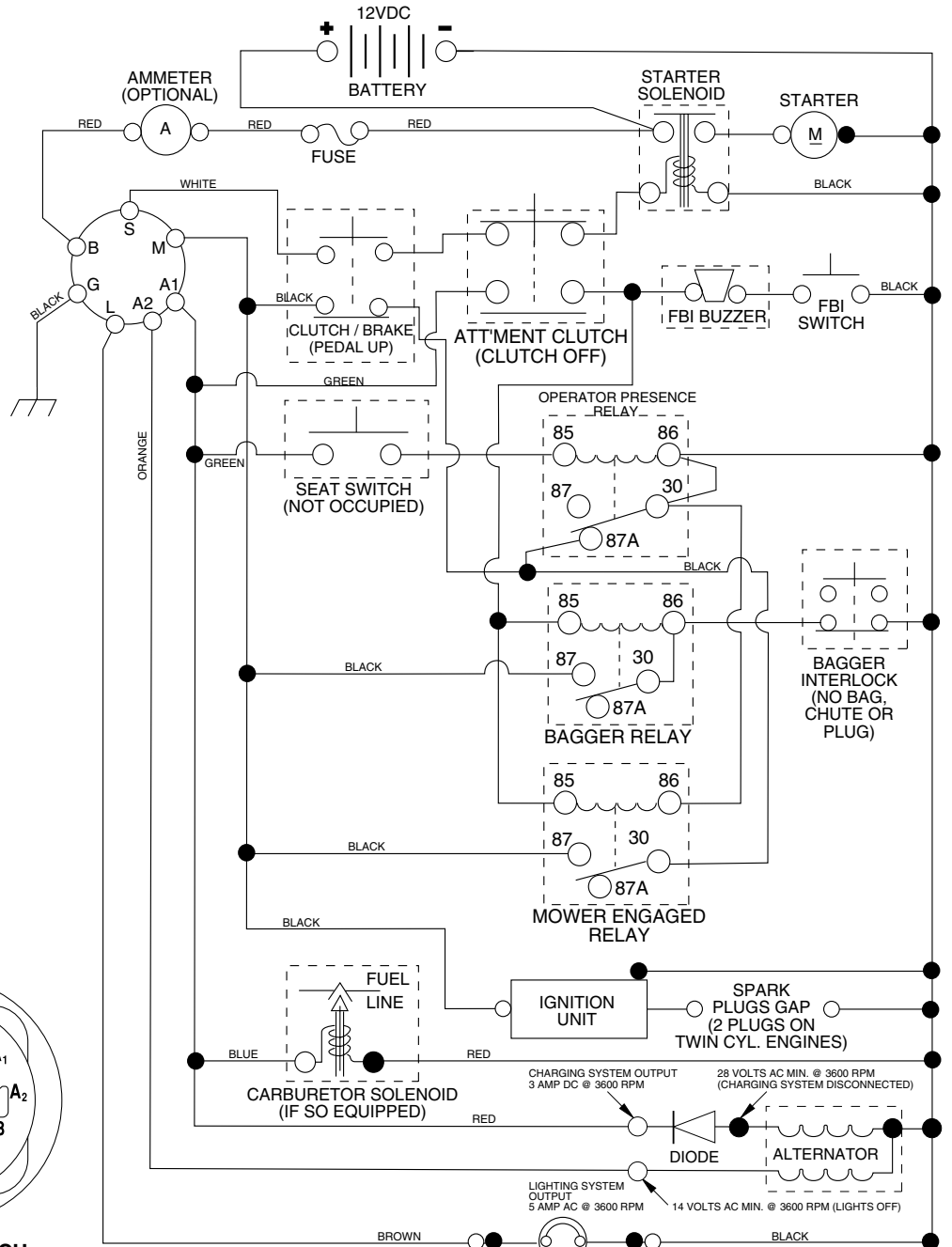
TRACTOR- -MODEL NO. ICT16A (JICTH16J), PRODUCT NO. 954 13 00-66  
BAGGER



KEY NO.	PART NO.	DESCRIPTION	KEY NO.	PART NO.	DESCRIPTION
1	532 16 52-49	Tube Handle Bagger CRD	22	532 16 57-81	Bracket Side Bagger CRD
2	872 14 04-16	Bolt Carriage 1/4-20 x 2.0 Gr.5	23	532 16 57-82	Tube Upper Bagger CRD
3	532 12 39-76	Nut Lock 1/4 Lge Flg Gr. 5 Zinc	24	532 16 57-83	Tube Pivot Bagger CRD
4	532 16 99-16	Handle Bagger w/Lvrs Blk CRD	25	532 18 01-24	Tube Front Bagger CRD
5	874 98 10-24	Screw Pan Head #10-24 x 1.50 Blk	26	532 16 57-85	Tube Lower Bagger CRD
6	874 98 10-32	Screw Pan Hd	28	532 16 57-87	Grip Handle Black
7	873 40 10-00	Nut Wiz Lock Hex Serr/Hd 10-24	31	532 12 47-88	Retainer Spring 1" Zinc/Cad
8	532 18 13-54	Cover Bagger	32	532 12 68-75	Rivet Rd Hd Drilled 3/8 Dia
9	872 14 04-18	Bolt Carriage 1/4-20 x 2.25d x Gr.5	33	532 16 55-71	Plug Mulcher
10	532 18 12-82	Tube Support Bagger CRD	34	532 16 55-70	Handle Mulcher
11	532 16 57-19	Bracket Support Upper Bag CRD	35	532 16 55-72	Pin Mulcher
12	532 16 96-85	Bracket Horiz Adj Bagger Lh	36	819 13 20-16	Washer 13/32 x 1-1/4 x 16 Ga.
13	872 11 06-06	Bolt Rdhd Sht Sqnk 3/8-16 x 3/4	37	532 17 54-01	Plug Support Bagger CRD
14	874 52 06-36	Bolt Fin Hex 3/8-16 x 2-1/4 Ga.5	38	872 01 05-20	Bolt 5/16-18 x 2-1/2
15	532 12 46-70	Retainer Spring	39	532 18 09-85	Seal Trim
16	873 90 06-00	Nut Lock Flg 3/8-16 Unc	41	532 16 96-83	Bracket Pnt Adj Pvt Bagger CRD
17	872 14 05-06	Bolt Rdhd Sht Sqnk 5/16 -18 Unc x 3/4	42	873 80 05-00	Nut lock 5/16-18 UNC PL
18	819 11 12-16	Washer 11/32 x 3/4 x 16 Ga.	43	532 17 40-83	Plug Tubing End
19	873 90 05-00	Nut Lock Hex Flange 5/16-18			
20	532 16 96-84	Bracket Horiz Adj Bagger Rh			
21	532 18 08-80	Bag Asm CRD			

**NOTE:** All component dimensions given in U.S. inches  
1 inch = 25.4 mm

# TRACTOR- -MODEL NO. ICT16A (JICTH16J), PRODUCT NO. 954 13 00-66 SCHEMATIC



**IGNITION SWITCH**

POSITION	CIRCUIT	"MAKE"
OFF	M+G+A1	NONE
RUN/LIGHT	B+A1	A2+L
RUN	B+A1	NONE
START	B + S + A1	NONE

**WIRING INSULATED CLIPS**  
NOTE: IF WIRING INSULATED CLIPS WERE REMOVED FOR SERVICING OF UNIT, THEY SHOULD BE REPLACED TO PROPERLY SECURE YOUR WIRING.



**PTO SWITCH**

POSITION	CIRCUIT
OFF	C + G, B + H
ON	C + F, B + E, A + D

**NOTE**

YOUR TRACTOR IS EQUIPPED WITH A SPECIAL ALTERNATOR SYSTEM. THE LIGHTS ARE NOT CONNECTED TO THE BATTERY, BUT HAVE THEIR OWN ELECTRICAL SOURCE. BECAUSE OF THIS, THE BRIGHTNESS OF THE LIGHTS WILL CHANGE WITH ENGINE SPEED. AT IDLE THE LIGHTS WILL DIM. AS THE ENGINE IS SPEEDED UP, THE LIGHTS WILL BECOME THEIR BRIGHTEST.

