

LT12

Spare parts
Ersatzteile
Pièces détachées
Reserve onderdelen
Repuestos
Reservdelar

REPAIR PARTS

TRACTOR - MODEL NO. LT12 (JLT12E), PRODUCT NO. 954 13 00-72

ELECTRICAL

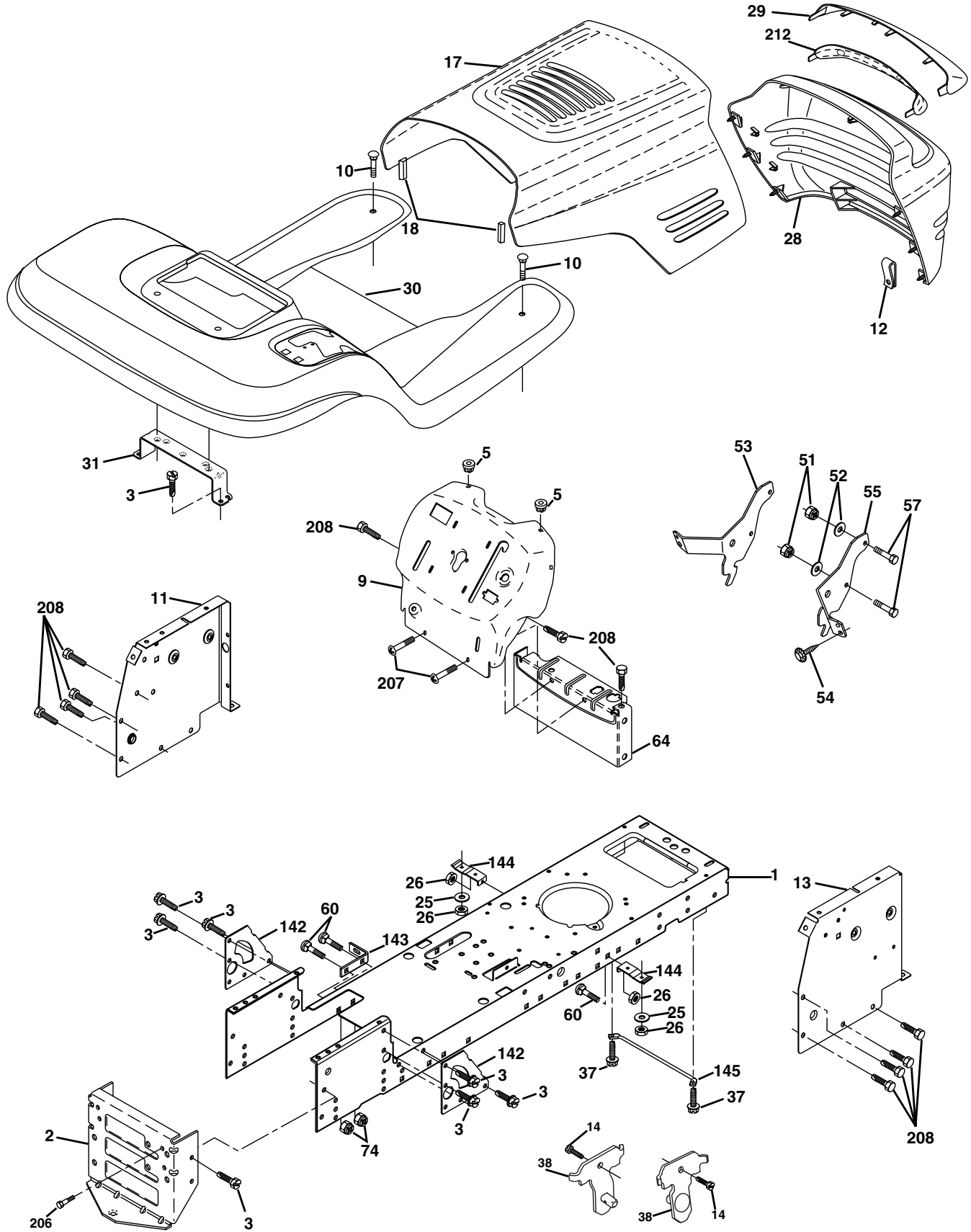
KEY NO.	PART NO.	DESCRIPTION
1	532 16 34-65	Battery
2	874 76 04-12	Bolt Hex Hd 1/4-20unc X 3/4
8	532 17 66-89	Box Battery
16	532 17 61-38	Switch Interlock
21	532 17 56-88	Harness Asm Light W/4152j
22	532 00 41-52	Bulb Light #1156
24	532 12 47-80	Cable Battery 6 Ga 11" red
25	532 14 61-47	Cable Battery 6 Ga 44" red w/16 wire
26	532 17 51-58	Fuse 20 AMP
27	873 51 04-00	Nut Keps Hex 1/4-20 Unc
28	532 12 47-73	Cable Ground 6 Ga 12" black
29	532 12 13-05	Switch Plunger Nc Gray
30	532 17 55-66	Switch Ign
33	532 14 04-01	Key Ign
40	532 17 97-20	Harness Ign.
41	871 11 04-08	Bolt Blk Fin Hex 1/4 - 20 x 1/2
42	532 13 15-63	Cover Terminal Red
43	532 17 88-61	Solenoid
48	532 14 08-44	Adapter Ammeter
52	532 14 19-40	Protection Wire Loop
90	532 18 04-49	Cover Terminal Battery

NOTE: All component dimensions given in U.S. inches.
1 inch = 25.4 mm.

REPAIR PARTS

TRACTOR - MODEL NO. LT12 (JLT12E), PRODUCT NO. 954 13 00-72

CHASSIS AND ENCLOSURES



REPAIR PARTS

TRACTOR - MODEL NO. LT12 (JLT12E), PRODUCT NO. 954 13 00-72 CHASSIS AND ENCLOSURES

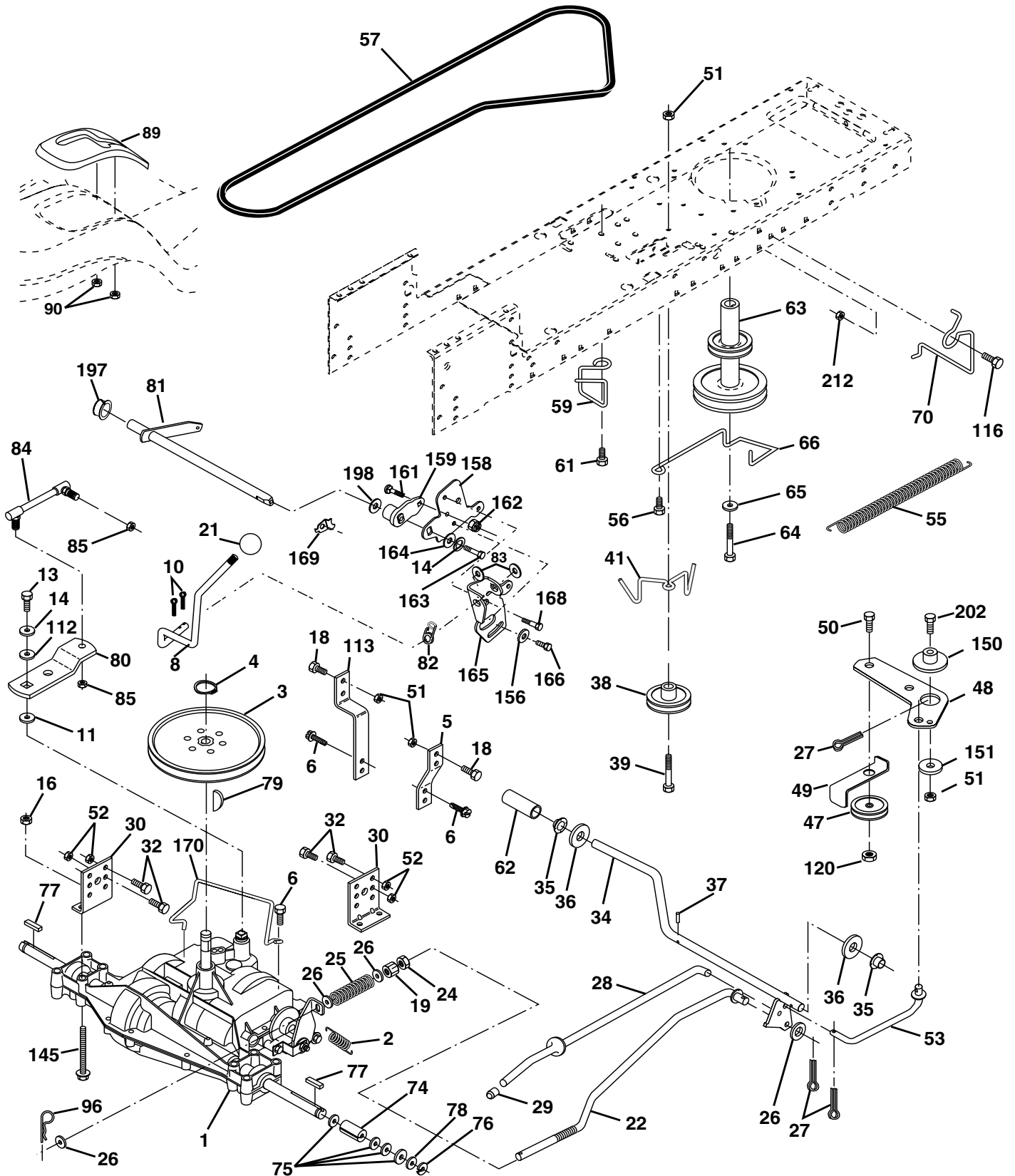
KEY NO.	PART NO.	DESCRIPTION
1	532 17 46-19	Chassis Weldment
2	532 17 65-54	Drawbar
3	817 06 06-12	Screw 3/8-16 x .75 SMGML
5	532 15 52-72	Bumper Hood/Dash
9	532 17 21-51	Dash P/L
10	872 14 06-08	Bolt Carriage 3/8-16 x 1
11	532 17 49-96	Panel Dash Lh
12	532 14 56-60	Clip Tinnerman Grille P/L
13	532 18 17-19	Panel Dash Rh
14	817 49 06-08	Screw Thdrol 3/8-16 x 1/2
17	532 15 07-60	Hood LT/PL with Louvers
18	532 12 69-38	Bumper Hood
25	819 13 13-12	Washer 13/32 X 13/16 X 12 Ga.
26	873 80 06-00	Nut Lock Hex W/Ins 3/8-16 Unc
28	532 17 93-51	Grill/Lens Asm.
29	532 17 90-14	Lens LT/PL Grille Shark Plain
30	532 18 12-05	Fender Footrest
31	532 13 99-76	Bracket Support Fender
37	817 49 05-08	Screw Thdrol 6/16-18 x 1/2 TYT
38	532 17 57-10	Bracket, Asm. Pivot
51	873 80 04-00	Nut Lock Hex W/Ins 1/4-20
52	819 09 14-16	Washer 9/32 x 7/8 x 16 Ga.
53	532 14 52-01	Bracket Pnt. Pickoff LH
54	532 16 14-64	Screw Hex Wshd 8-18 x 7/8
55	532 14 52-02	Bracket Grille Pickoff RH
57	874 78 04-12	Bolt Hex 1/4-20 x 3/4
60	872 14 06-06	Bolt Rdhd Sqnk 3/8-16unc x 3/4
64	532 15 47-98	Dash Lower STLT
74	873 68 06-00	Nut Crownlock 3/8-16 UNC
142	532 17 57-02	Plate Reinforcement STLT
143	532 15 49-66	Bracket Swaybar Chassis
144	532 17 55-82	Bracket Pnt Footrest STLT
145	532 15 65-24	Rod Pivot Chassis/Hood
206	532 17 01-65	Bolt Shoulder 5/16-18
207	817 67 05-08	Screw Thdrol 5/16-18 x 1/2
208	817 67 06-08	Screw Thdrol 3/8-16 x 1/2
212	532 16 59-19	Insert Lens Reflective
--	532 00 54-79	Plug Button

NOTE: All component dimensions given in U.S. inches
1 inch = 25.4 mm

REPAIR PARTS

TRACTOR - MODEL NO. LT12 (JLT12E), PRODUCT NO. 954 13 00-72

DRIVE



REPAIR PARTS

TRACTOR - MODEL NO. LT12 (JLT12E), PRODUCT NO. 954 13 00-72

DRIVE

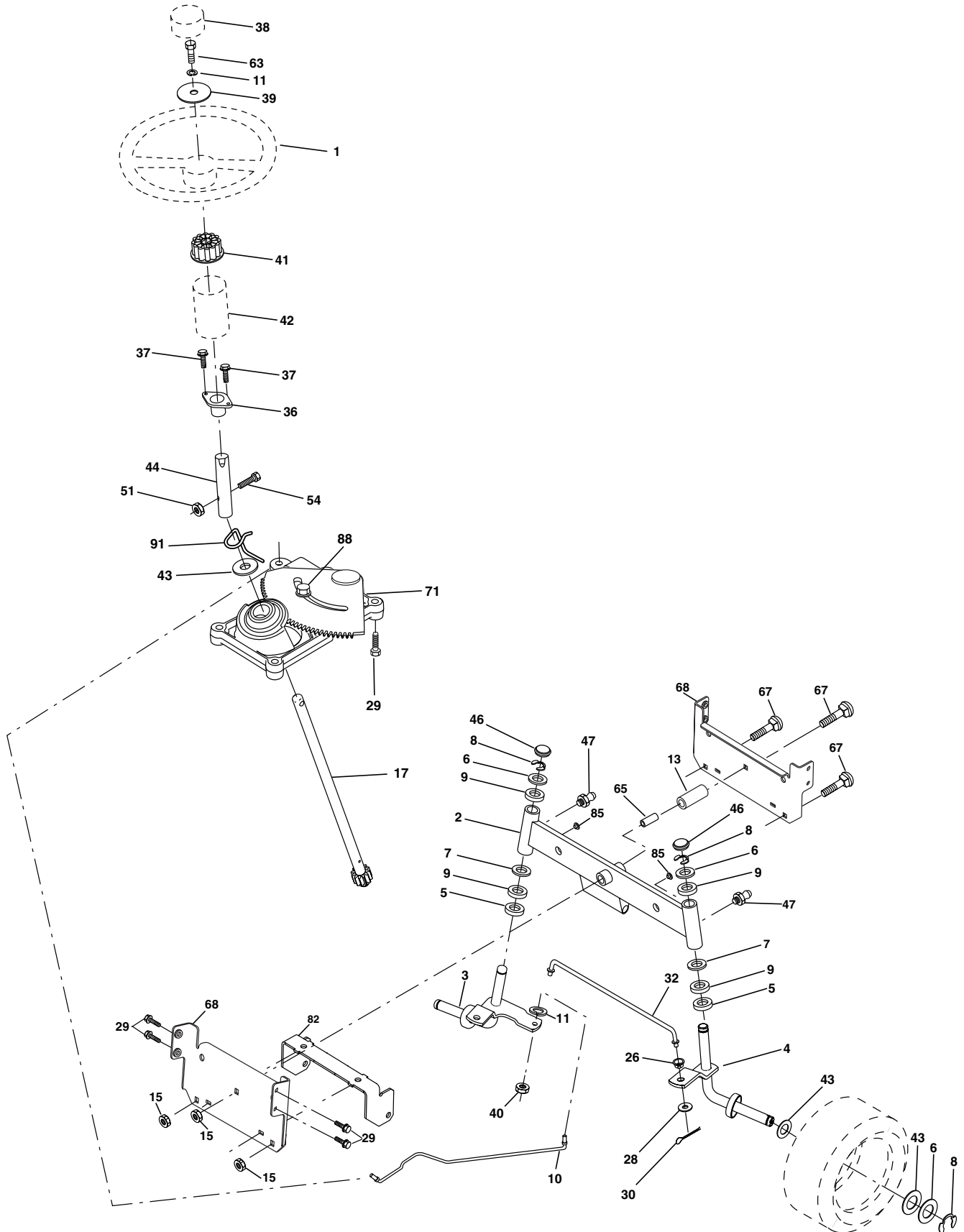
KEY NO.	PART NO.	DESCRIPTION	KEY NO.	PART NO.	DESCRIPTION
1	-----	Transaxle Peerless 205-544C Order parts from transaxle manufacturer	65	810 04 07-00	Washer Lock Hvy Hlcl Spr 7/16
2	532 14 66-82	Spring Return Brake T/a Zinc	66	532 15 47-78	Keeper Belt Engine Foolproof
3	532 12 36-66	Pulley Transaxle 18" tires	70	532 18 02-18	Guide Belt Mower Drive RH
4	812 00 00-28	Ring Retainer # 5100-62	74	532 13 70-57	Spacer Axle
5	532 12 15-20	Strap Torque 30 Degrees	75	532 12 17-49	Washer 25/32 X 1 1/4 X 16 Ga
6	817 06 05-12	Screw Thdrol 5/16-18	76	812 00 00-01	E-ring #5133-75
8	532 16 58-66	Rod Shift Fender Adjust Lt	77	532 12 35-83	Key Square 2 0 X 1845/ 1865
10	876 02 04-16	Pin Cotter 1/8 X 1 Cad	78	532 12 17-48	Washer 25/32 X 1-5/8 X 16 Ga
11	532 10 57-01	Washer Plate Shf 388 Sq Hole	79	532 12 50-96	Key Woodruff #9 3/16 x 3/4
13	874 55 04-12	Bolt 1/4-28 Unf Gr 8 W/Patch	80	532 13 14-86	Arm Shift
14	810 04 04-00	Washer Lock Hvy Helical	81	532 16 55-94	Shaft Asm Cross 18"t
16	873 80 05-00	Nut Lock Hex w/lns 5/16-18	82	532 16 57-11	Spring Torsion T/a
18	874 78 06-16	Bolt, Fin Hex 3/8-16 UNC x 1 Gr. 5	83	819 17 12-16	Washer 17/32 X 3/4 X 16 Ga
19	873 80 06-00	Nut Lock 3/8-16 Unc	84	532 16 62-28	Link Transaxle
21	532 12 12-74	Knob	85	532 15 03-60	Nut Lock Center 1/4 - 28 FNTHD
22	532 13 08-04	Rod Brake Blk Zinc 26 840	89	532 17 65-79	Console Shift STLT
24	873 35 06-00	Nut Hex Jam 3/8-16 Unc	90	532 12 43-46	Nut Self-thd Wsh-hd 1/4 Zinc
25	532 10 68-88	Spring Rod Brake 2 00 Zinc	96	532 12 47-88	Retainer Spring 1"
26	819 13 13-16	Washer 13/32 X 13/16 X 16 Ga	112	819 09 12-10	Washer 9/32 x 3/4 x 10 Ga.
27	876 02 04-12	Pin Cotter 1/8 X 3/4 Cad	113	532 12 72-85	Strap Torque LT
28	532 17 57-65	Rod Brake Parking LT/YT	116	872 14 06-08	Bolt Rdhd Sq Neck 3/8-16 x 1.0
29	532 07 16-73	Cap Brake Parking Black	120	873 90 06-00	Nut Lock Flg. 3/8-16 Unc
30	532 17 49-73	Bracket Mtg Transaxle	145	874 49 05-40	Bolt Hex 5/16-18 Gr. 5
32	874 76 05-12	Bolt Hex Hd 5/16-18unc X 3/4	150	532 17 54-56	Spacer
34	532 17 55-78	Shaft Asm Pedal Foot	151	819 13 32-10	Washer 13/32 x 2 x 10 Ga.
35	532 12 01-83	Bearing Nylon Blk 629 Id	156	532 16 60-02	Washer Srrted 5/16ID x 1.125
36	819 21 16-16	Washer 21/32 X 1 X 16 Ga	158	532 16 55-89	Bracket Shift Mount
37	532 12 49-63	Pin Roll 3/16 X 1"	159	532 16 54-94	Hub Tapered Flange Shift Lt
38	532 17 91-14	Pulley Idler	161	872 14 04-06	Bolt Rdhd Sqnk 1/4-20 x 3/4 Gr 5
39	874 76 06-48	Bolt Fin Hex 3/8-16 Unc x 3	162	873 68 04-00	Nut Crownlock 1/4-20 Unc
41	532 17 55-56	Keeper Belt Idler Flat	163	874 78 04-16	Bolt Hex Fin 1/4-20 Unc x 1 Gr 5
47	532 12 77-83	Pulley Idler V Groove Plastic	164	819 09 10-10	Washer 5/8 x .281 x 10 Ga
48	532 15 44-07	Bellcrank Clutch Grnd Driv	165	532 16 56-23	Bracket Pivot Lever
49	532 12 32-05	Retainer Belt Style Spring	166	532 16 68-80	Screw 5/16-18 x 5/8
50	874 76 06-24	Bolt Hex Hd 3/8-16unc X 1-1/2	168	532 16 54-92	Bolt Shoulder 5/16-18 x .561
51	873 68 06-00	Nut Crownlock 3/8-16 Unc	169	532 16 55-80	Plate Fastening Lt
52	873 68 05-00	Nut Crownlock 5/16-18 Unc	170	532 17 83-94	Keeper, Belt T/A D/P
53	532 10 57-10	Link Clutch	197	532 16 96-13	Nyliner Snap-In
55	532 10 57-09	Spring Return Clutch 6 75	198	532 16 95-93	Washer Nyl 7/8 ID x 105"
56	817 06 06-20	Screw 3/8-16 X 1-1/4	202	872 11 06-14	Bolt Carr. SH 3/8-16 x 1-3/4 Gr. 5
57	532 13 08-01	V-Belt Ground Drive 95 25	212	532 14 52-12	Nut, Hex Flange Lock
59	532 16 96-91	Keeper Belt Span Ctr			
61	817 12 06-14	Screw 3/8-16 x .875			
62	532 12 48-72	Cover Pedal Round			
63	532 18 02-19	Engine Pulley			
64	871 17 07-64	Bolt Hex			

NOTE: All component dimensions given in U.S. inches
1 inch = 25.4 mm

REPAIR PARTS

TRACTOR - MODEL NO. LT12 (JLT12E), PRODUCT NO. 954 13 00-72

STEERING ASSEMBLY



REPAIR PARTS

TRACTOR - MODEL NO. LT12 (JLT12E), PRODUCT NO. 954 13 00-72

STEERING ASSEMBLY

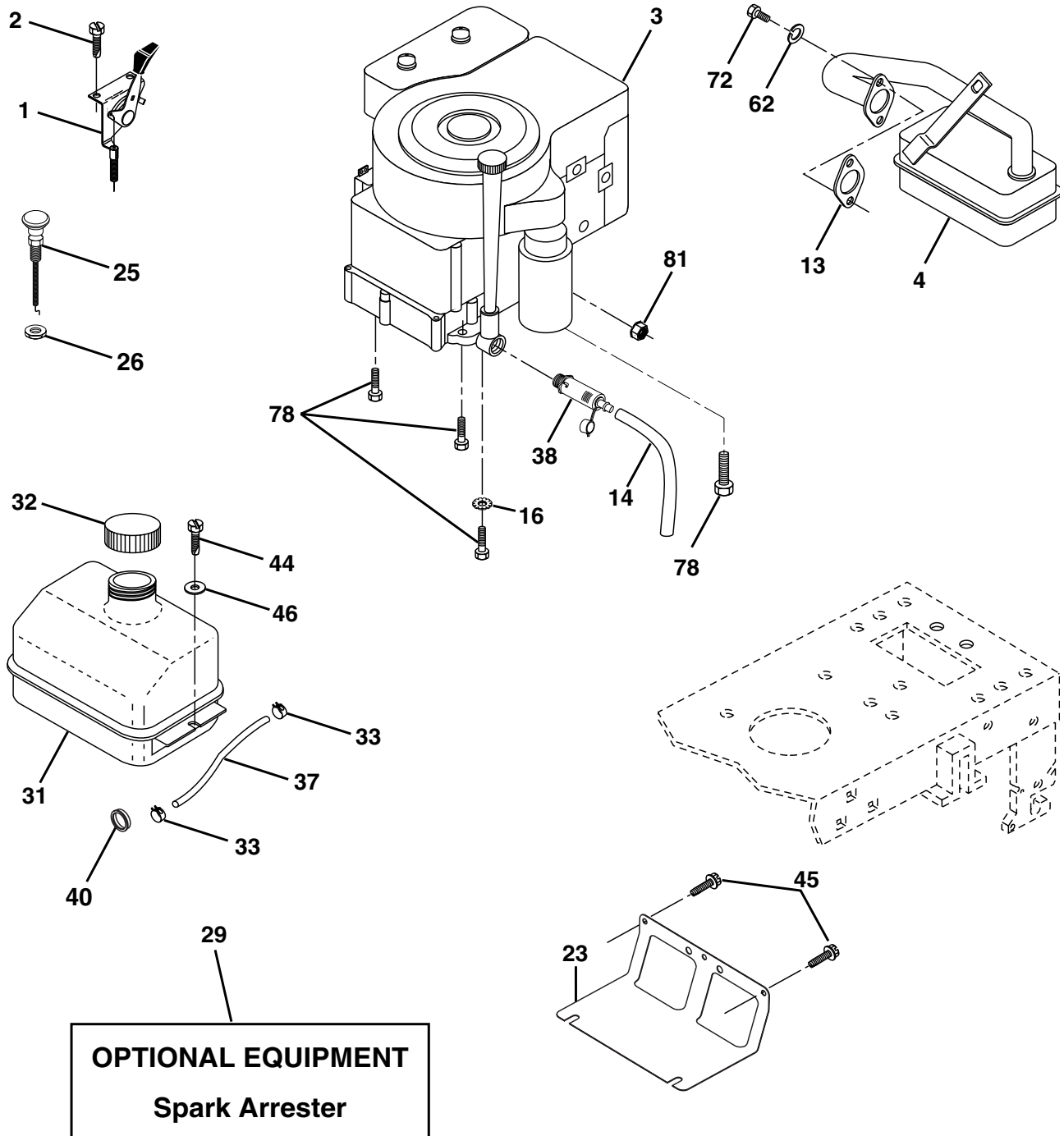
KEY NO.	PART NO.	DESCRIPTION
1	532 17 71-82	Wheel Steering
2	532 17 51-31	Axle Asm
3	532 16 98-40	Spindle Asm LH
4	532 16 98-39	Spindle Asm RH
5	532 12 49-31	Bearing Race Thrust Harden
6	532 12 17-48	Washer 25/32 X 1-5/8 X 16 Ga
7	819 27 20-16	Washer 27/32 X 1-1/4 X 16 Ga
8	812 00 00-29	Ring Klip #t5304-75
9	532 12 49-37	Bearing Col Strg Blk
10	532 17 51-21	Link Drag
11	810 04 06-00	Washer Lock Hvy Hlcl Spr 3/8
13	532 13 65-18	Bearing Axle STL/GT
15	532 14 52-12	Nut Hexflange Lock
17	532 17 78-76	Shaft Asm Strg
26	532 12 68-47	Bushing Link Drag Blk LR
28	819 13 14-16	Washer 13/32 X 7/8 X 16 Ga
29	817 06 06-12	Screw 3/8-16x3/4 SMGML
30	876 02 04-12	Pin Cotter 1/8 X 3/4 Cad
32	532 13 04-65	Rod Tie Wire Form 19 75 Mech
36	532 15 50-99	Bushing Strg
37	532 15 29-27	Screw
38	532 17 71-83	Insert Cap Strg Wh
39	819 13 38-12	Washer 13/32 X 2-3/8 X 8 Ga
40	532 12 47-01	Lock nut
41	532 10 07-11	Adaptor Wheel Strg
42	532 16 96-33	Boot Steering Shaft
43	532 12 17-49	Washer 25/32 X 1 1/4 X 16 Ga
44	532 15 37-20	Extension Steering Shaft LR/LT
46	532 12 12-32	Cap Spindle Fr Top Blk
47	532 12 48-36	Fitting Grease
51	873 80 05-00	Nut Lock Hex w/Ins 5/16-18
54	874 78 05-20	Bolt Fin Hex 5/16-18 Unc x 1-1/4
63	874 78 06-16	Bolt Fin Hex 3/8-16unc x 1 Gr. 5
65	532 16 03-67	Spacer Axle
67	872 14 06-18	Bolt RDHD SQNK 3/8-16 x 2-1/4
68	532 16 98-27	Axle, Brace
71	532 17 51-46	Steering Asm.
82	532 16 98-35	Bracket Susp Chassis Front
85	532 13 38-35	Fastner Christmas Tree
88	532 17 51-18	Bolt Shoulder 7/16-20 Unc
91	532 17 55-53	Clip Steering

NOTE: All component dimensions given in U.S. inches.
1 inch = 25.4 mm.

REPAIR PARTS

TRACTOR - MODEL NO. LT12 (JLT12E), PRODUCT NO. 954 13 00-72

ENGINE



REPAIR PARTS

TRACTOR - MODEL NO. LT12 (JLT12E), PRODUCT NO. 954 13 00-72

ENGINE

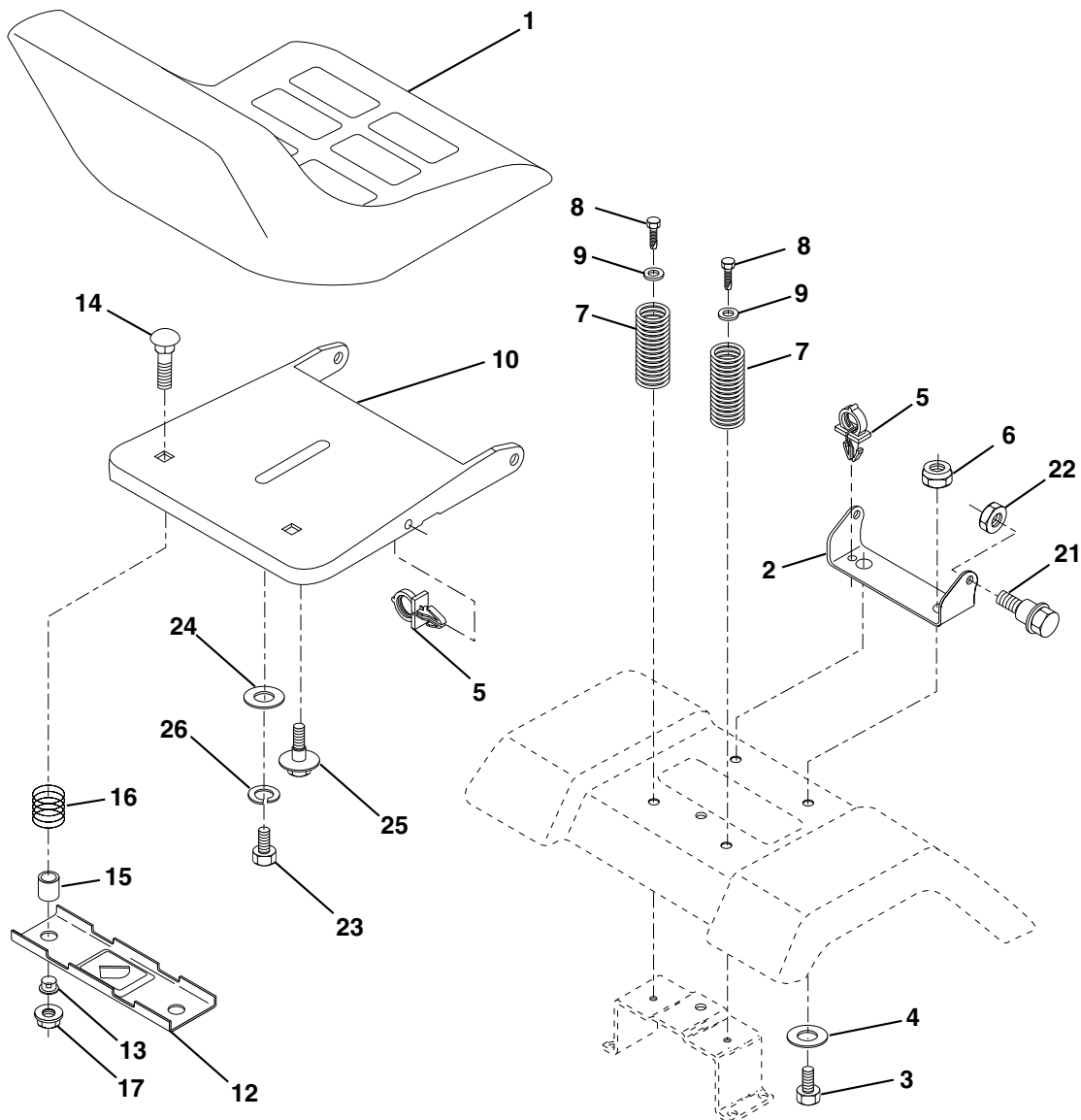
KEY NO.	PART NO.	DESCRIPTION
1	532 17 05-51	Control Th/ch LH Flag
2	817 72 04-08	Screw Hex Thd Cut 1/4-20 x 1/2
3	-----	Engine B&S Model No. 289707 (Order parts from engine manufacturer)
4	532 13 73-48	Muffler
13	532 16 52-91	Gasket
14	532 14 84-56	Tube Drain Oil Easy
16	811 05 06-00	Washer Lock Ext Tooth 3/8
23	532 16 98-37	Shield Brn/Dbr Guard
25	532 18 09-45	Control Choke 1 Cyl
26	873 92 06-00	Nut Keps 3/8-24 Unf
29	532 13 71-80	Kit Spark Arrestor (Flat Scrm)
31	532 10 92-02	Tank Fuel Front
32	532 14 05-27	Cap Asm Fuel W/sym Vented
33	532 12 34-87	Clamp Hose Black
37	532 13 70-40	Line Fuel 20"
38	532 14 83-15	Plug Drain Oil Easy
40	532 12 40-28	Bushing Snap Nyl Blk Fuel Line
44	817 67 04-12	Screw Hexwsh Thdrol 1/4-20x3/4
45	817 00 06-12	Screw 3/8-16 x 3/4
46	819 09 14-16	Washer 9/32 X 7/8 X 16 Ga
62	810 04 05-00	Washer Lock Hvy Hlcl Spr 5/16
72	871 07 05-12	Screw Hexhd Cap 5/16-18 x 3/4
78	817 06 06-20	Screw 3/8-16 x 1-1/4 SMGML
81	873 51 04-00	Nut Keps Hex 1/4-20

NOTE: All component dimensions given in U.S. inches
1 inch = 25.4 mm

REPAIR PARTS

TRACTOR - MODEL NO. LT12 (JLT12E), PRODUCT NO. 954 13 00-72

SEAT ASSEMBLY



KEY NO.	PART NO.	DESCRIPTION
1	532 14 01-16	Seat
2	532 14 05-51	Bracket Pivot Seat 8 720
3	871 11 06-16	Bolt Fin Hex 3/8-16 Unc x 1
4	819 13 16-10	Washer 13/32 X 1 X 10 Ga
5	532 14 50-06	Clip Push-In
6	873 80 06-00	Nut Hex w/Ins. 3/8-16 Unc
7	532 12 41-81	Spring Seat Cprsn 2 250 Blk Zi
8	817 00 06-16	Screw 3/8-16 x 1.5 SMGML
9	819 13 16-14	Washer 13/32 X 1 X 14 Ga.
10	532 18 24-93	Pan Seat
12	532 12 12-46	Bracket Mounting Switch
13	532 12 12-48	Bushing Snap Blk Nyl 50 Id

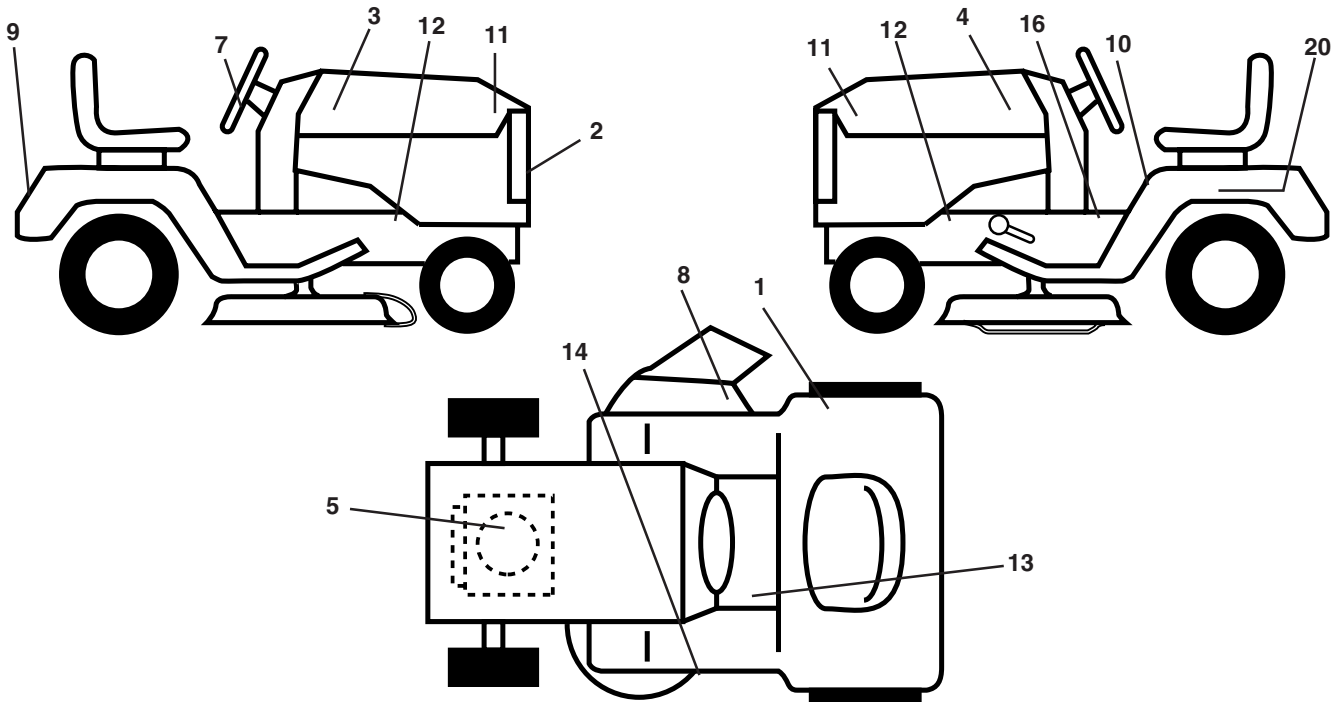
KEY NO.	PART NO.	DESCRIPTION
14	872 05 04-12	Bolt Rdhd Sqnk 1/4-20x1-1/2
15	532 13 43-00	Spacer Split 28x96 Yel Zinc
16	532 12 12-50	Spring Cprsn 1.27 Blk Pnt
17	532 12 39-76	Nut Lock 1/4 Lge Flg Gr 5 Zinc
21	532 17 18-52	Bolt SHLD 5/16-18 Unc-2A
22	873 80 05-00	Nut Hex Lock W/Ins 5/16-18
23	871 11 08-14	Bolt Hex
24	819 17 19-12	Washer 17/32 X 1-3/16 X 12 Ga.
25	532 12 70-18	Bolt Shoulder 5/16-18 X 62
26	810 04 08-00	Washer Lock Hvy HLCL Spr. 1/2

NOTE: All component dimensions given in U.S. inches.
1 inch = 25.4 mm

REPAIR PARTS

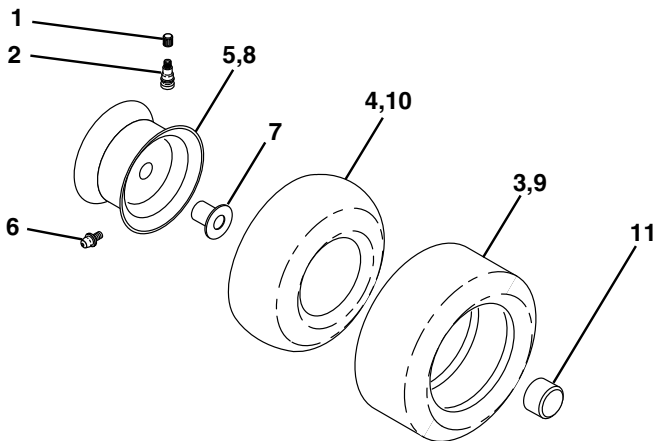
TRACTOR - MODEL NO. LT12 (JLT12E), PRODUCT NO. 954 13 00-72

DECALS



KEY NO.	PART NO.	DESCRIPTION	KEY NO.	PART NO.	DESCRIPTION
1	532 18 04-32	Decal 100 DBA/CE	13	532 15 97-37	Decal Brake/Clutch Symbol LT
2	532 15 22-62	Decal Grille	14	532 13 68-32	Decal V-Belt Schematic
3	532 17 58-85	Decal Hood RH	16	532 14 08-37	Decal Saddle Brake Parking
4	532 17 58-86	Decal Hood LH	20	532 14 50-05	Decal Bat Dan/Psn
5	532 17 08-32	Decal HP Engine	--	532 16 25-98	Decal Drawbar Load Limit
7	532 17 58-84	Decal, Ins. Strg Whl.	--	532 17 12-84	Pad Footrest LH STLT
8	532 18 21-66	Decal Mower Cutfinger	--	532 17 12-85	Pad Footrest RH STLT
9	532 14 17-61	Decal Fender Jonsered	--	532 13 83-11	Decal Handle Lift Height Adjust
10	532 14 54-98	Decal Read Owner's Manual Syms.	--	532 18 20-54	Manual Operator's (Euro.)
11	532 16 29-27	Decal Hood Insert B&S White	--	532 18 20-55	Manual Operator's (Scan.)
12	532 15 97-36	Decal Chassis Hot Muffler			

WHEELS & TIRES



KEY NO.	PART NO.	DESCRIPTION
1	532 05 91-92	Cap Valve Tire
2	532 06 51-39	Stem Valve
3	532 10 62-22	Tire F Ts 15 X 6 0 - 6 Service
4	532 05 99-04	Tube Front (Service Item Only)
5	532 13 83-36	Rim Asm 6"front Silver Service
6	532 12 49-57	Fitting Grease (Front Wheel Only)
7	532 12 49-59	Bearing Flange (Front Wheel Only)
8	532 13 83-37	Rim Asm 8"rear Silver Service
9	532 12 46-35	Tire R Ts 18x9 5-8 C Service
10	532 12 49-26	Tube Rear (Service Item Only)
11	532 17 50-39	Cap Axle Blk 1 50 X 1 00
--	532 14 43-34	Sealant, Tire (10 oz. Tube)

NOTE: All component dimensions given in U.S. inches
1 inch = 25.4 mm

REPAIR PARTS

TRACTOR - MODEL NO. LT12 (JLT12E), PRODUCT NO. 954 13 00-72

MOWER DECK

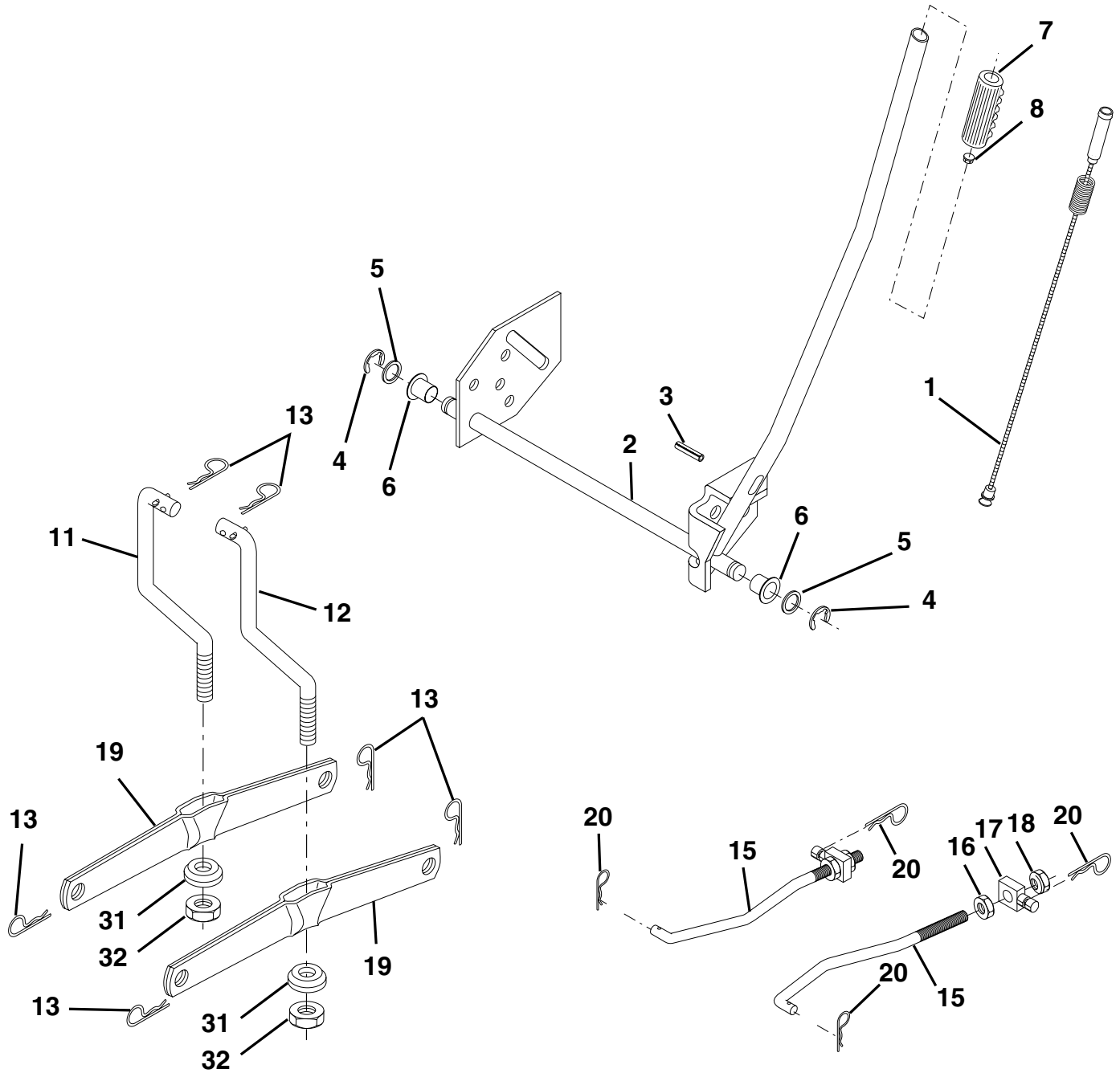
KEY NO.	PART NO.	DESCRIPTION	KEY NO.	PART NO.	DESCRIPTION
1	532 17 45-95	Mower Deck Assembly	68	532 18 02-13	Belt
2	872 14 05-06	Bolt	89	819 13 16-12	Washer 13/32 x 1 x 12 Ga
3	532 13 80-17	Bracket Assembly, Sway Bar	92	873 80 06-00	Nut Lock Hex w/Ins. 3/8-16 Unc
4	532 17 56-54	Bracket Sway Bar	107	532 13 35-02	Spacer, Retainer
5	532 12 46-70	Retainer Spring	108	532 13 35-03	Stiffener, Idler Arm
6	532 17 80-24	Bar, Sway Deck	113	817 49 05-08	Screw Thdrol 5/16-18 x 1/2
7	532 14 06-08	Keeper Belt	122	532 17 45-05	Rod, Brake, LH
8	532 85 08-57	Bolt, Hex 3/8-24 x 1.25 Gr. 8	123	532 17 45-04	Rod, Brake, RH
9	810 03 06-00	Washer, Lock Hvy Hlcl 3/8	129	819 13 13-12	Washer 13/32 x 13/16 x 12 Ga.
10	532 14 02-96	Washer, Hardened	130	874 78 06-16	Bolt Fin Hex 3/8-16 Unc x 1 Gr. 5
11	532 13 84-96	Blade, Mower	131	872 14 06-08	Bolt RdHd Sqnk 3/8-16 Unc x 1
13	532 13 76-45	Shaft Assembly, Mandrel	146	532 16 58-91	Bolt Carriage Idler
14	532 12 87-74	Housing, Mandrel, Vented	148	532 16 90-22	Spring Return Idler
15	532 11 04-85	Bearing, Ball, Mandrel	149	532 16 58-98	Retainer Spring Yellow Zinc
16	532 17 44-93	Stripper, Mower Deck	150	819 09 12-16	Washer 9/32 x 3/4 x 16 Ga.
19	532 13 28-27	Bolt, Shoulder	151	532 16 96-70	Bracket Clutch
21	873 68 05-00	Nut Crownlock 5/16-18	152	532 17 60-79	Cable Clutch
23	532 13 66-31	Bracket, Mower Deflector	153	532 16 96-74	Washer Flat 3/8" Type B
24	532 10 53-04	Cap, Sleeve	154	532 16 96-75	Spring Retainer
25	532 12 37-13	Spring, Torsion, Deflector	155	532 16 96-71	Spring Retention Lever
26	532 11 04-52	Nut, Push	156	532 16 96-72	Spacer
27	532 17 61-62	Shield, Deflector	157	532 16 96-69	Rod Clutch
28	819 11 10-16	Washer 11/32 x 5/8 x 16 Ga.	158	817 72 04-08	Screw Hex Thd Cut 1/4-20 x 1/2
29	532 12 19-80	Rod, Hinge	164	532 17 49-76	Bracket Asm Idler Support
30	532 17 39-84	Screw Thdrol	168	532 17 23-77	Bracket Deck Cable
31	532 12 99-63	Washer, Spacer	169	532 17 49-77	Bracket Asm Suspension
32	532 15 35-31	Pulley, Mandrel	170	532 17 23-59	Bracket Suspension RF
33	532 17 83-42	Nut, Toplock, Flanged	171	532 16 52-37	Brace Support Susp. Frt
34	872 11 06-14	Bolt Rdhd 3/8-16 x 1-3/4	172	532 17 23-55	Bracket Suspension LF
36	532 13 14-94	Pulley, Idler, Flat	--	532 13 07-94	Mandrel Assembly (Includes Housing, Shaft and Shaft Hardware Only - Pulley Not Included)
40	873 68 06-00	Nut Crownlock 3/8-16	--	532 18 13-76	Replacement Mower, Complete
45	532 12 47-88	Retainer, Spring			
53	532 13 08-40	Brake Assembly			
54	532 13 39-43	Washer, Hardened			
55	532 13 38-40	Idler Arm Assembly			
56	532 16 57-23	Spacer, Retainer			
67	532 10 69-32	Knob RD 3/8-16 Plstc Thd			

NOTE: All component dimensions given in U.S. inches
1 inch = 25.4 mm

REPAIR PARTS

TRACTOR - MODEL NO. LT12 (JLT12E), PRODUCT NO. 954 13 00-72

MOWER LIFT



REPAIR PARTS

TRACTOR - MODEL NO. LT12 (JLT12E), PRODUCT NO. 954 13 00-72

MOWER LIFT

KEY NO.	PART NO.	DESCRIPTION
1	532 15 94-60	Washer Asm Inner Spring W/Plunger
2	532 15 94-71	Shaft Asm. Lift
3	532 10 57-67	Pin Groove
4	812 00 00-02	E Ring #5133-62
5	819 21 16-21	Washer 21/32 x 1 x 21 Ga
6	532 12 01-83	Bearing Nylon
7	532 10 94-13	Grip Handle
8	532 12 23-65	Button Plunger
11	532 13 98-65	Link Lift LH
12	532 13 98-66	Link Lift RH
13	532 12 46-70	Retainer Spring
15	532 17 32-88	Link Front
16	873 35 08-00	Nut Jam Hex 1/2-13 Unc
17	532 17 56-89	Trunnion
18	873 80 08-00	Nut Lock W/Wsh 1/2-13 Unc
19	532 13 98-68	Arm Suspension Mower
20	532 16 35-52	Retainer Spring
31	532 16 98-65	Bearing Pvt. Lift
32	873 54 06-00	Nut Crownlock 3/8-24

NOTE: All component dimensions given in U.S. inches
1 inch = 25.4 mm

REPAIR PARTS

TRACTOR - MODEL NO. LT12 (JLT12E), PRODUCT NO. 954 13 00-72

SCHEMATIC

