

# CS 2156

# CS 2156 EPA I

# CS 2159

# CS 2159 EPA I

Spare parts

Ersatzteile

Pièces détachées

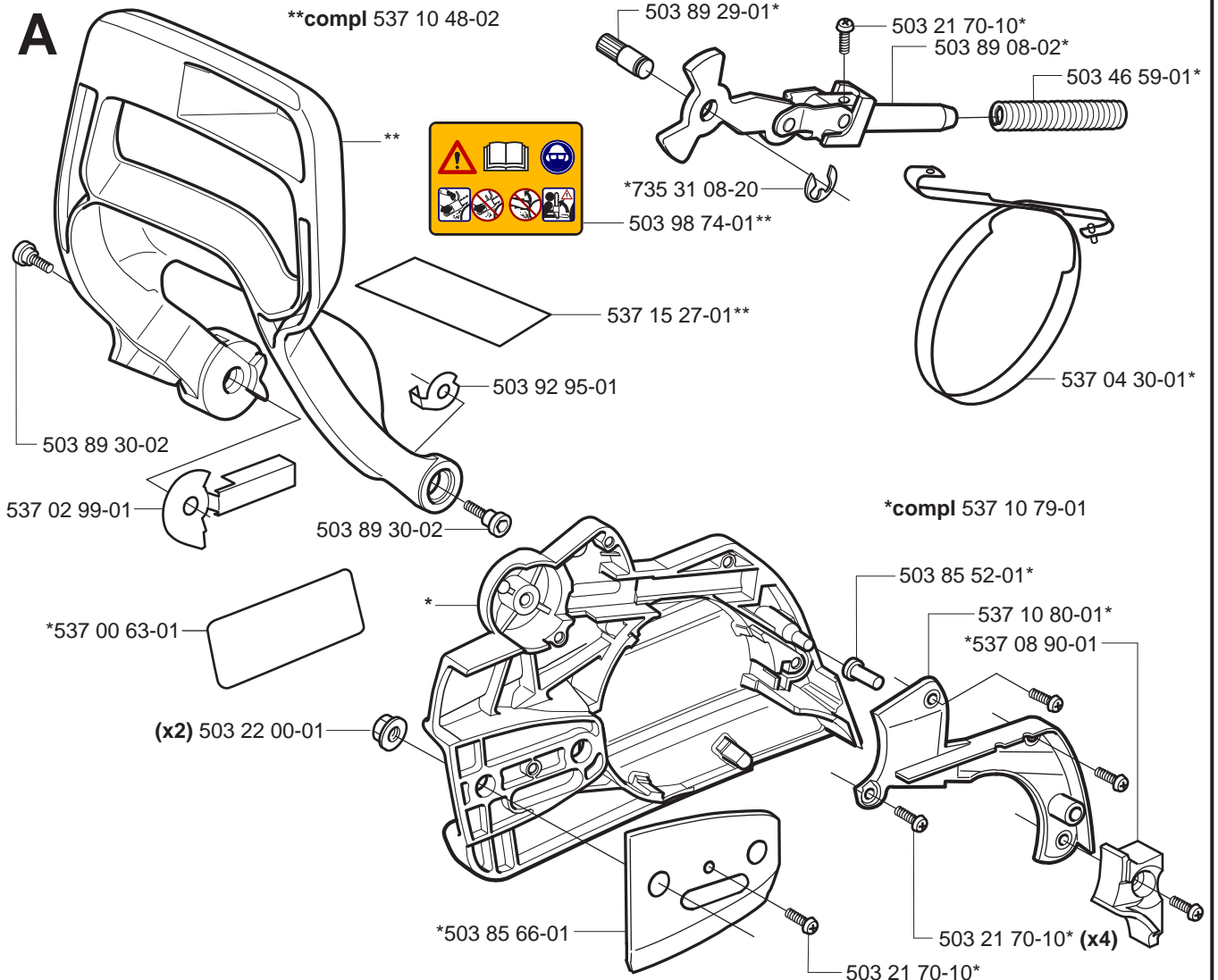
Reserve onderdelen

Repuestos

Reservdelar

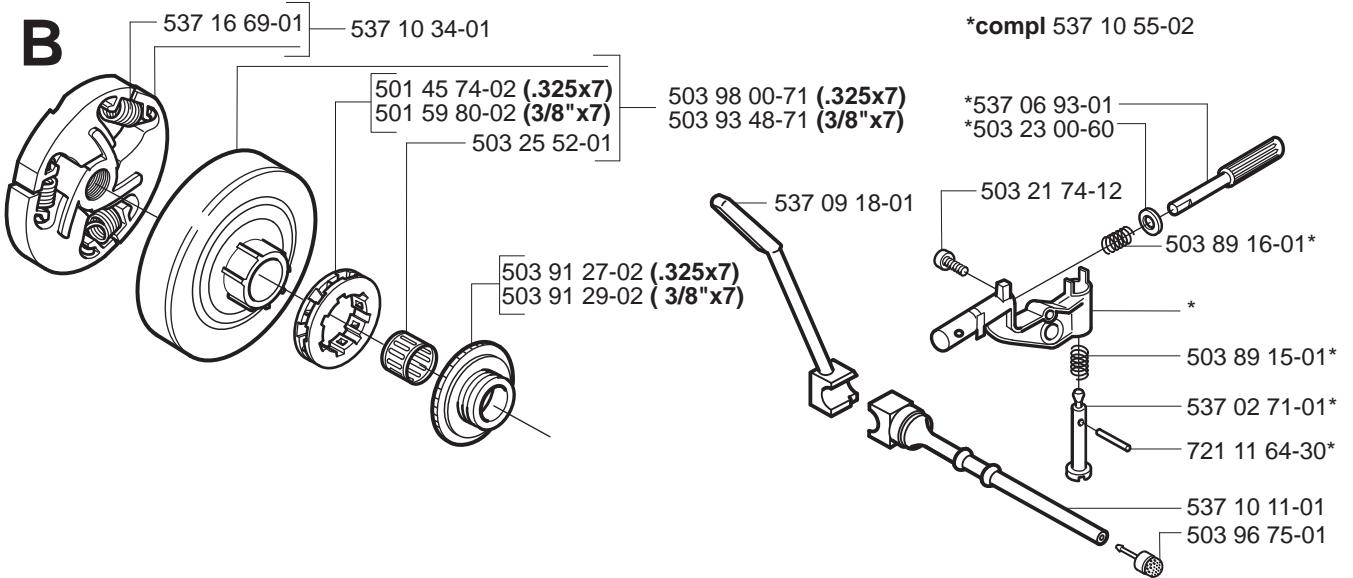
# A

**\*\*compl 537 10 48-02**



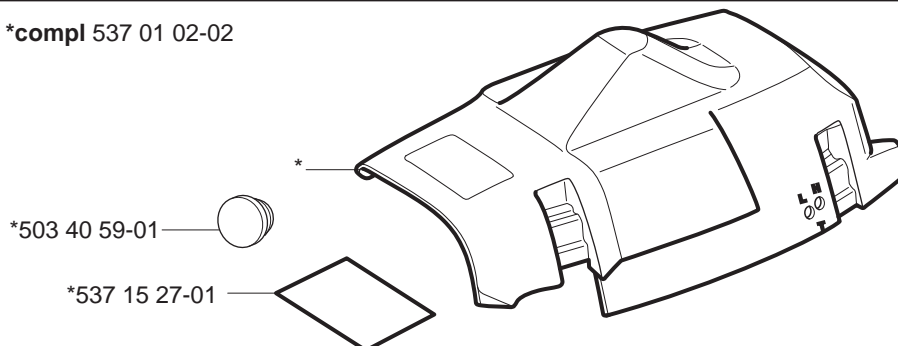
# B

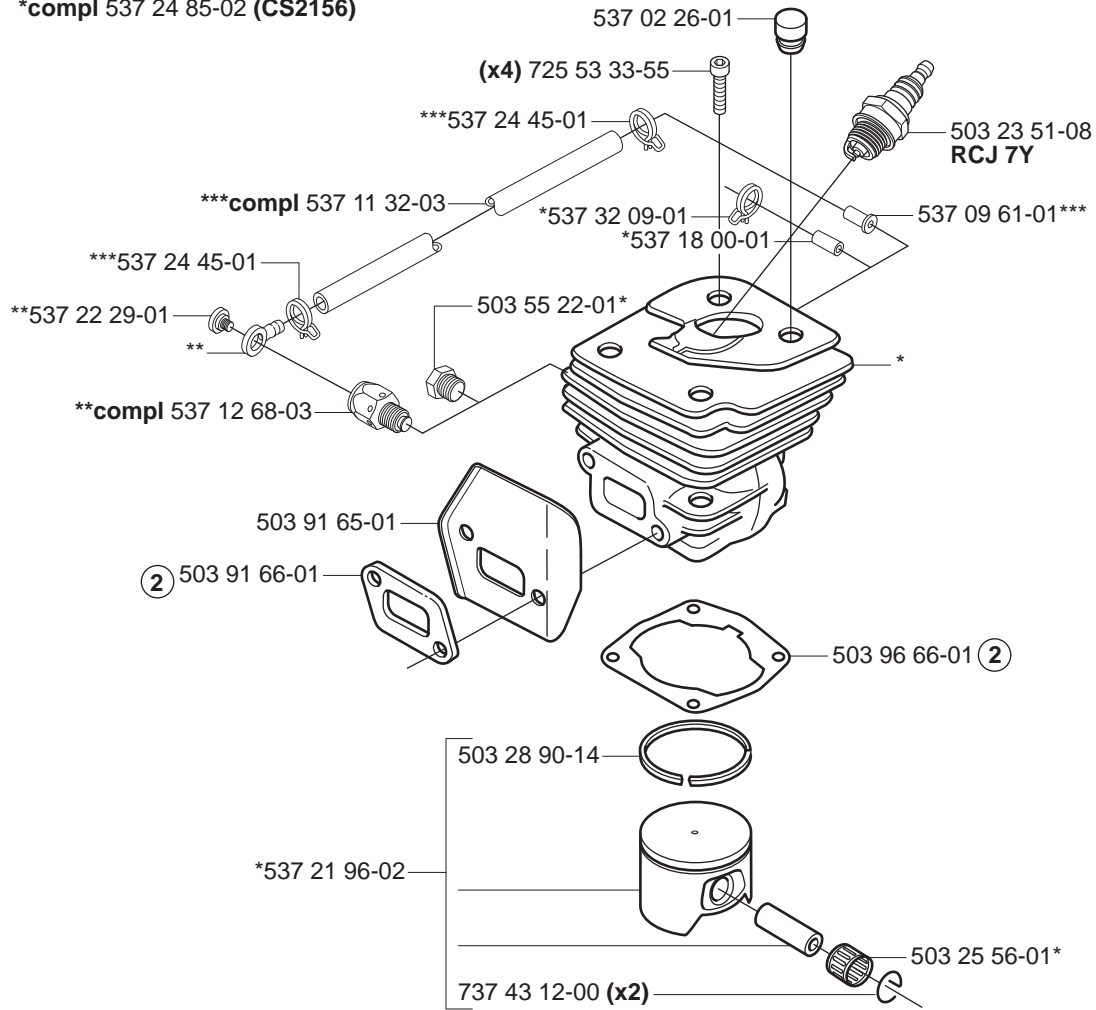
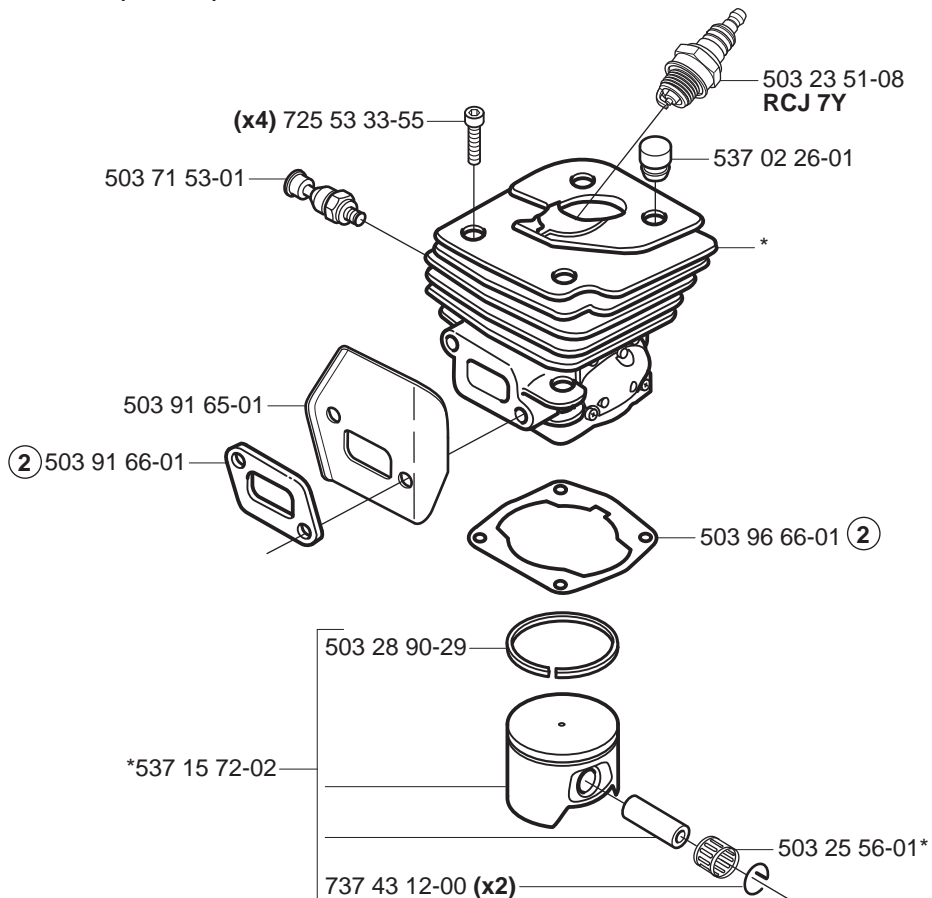
**\*compl 537 10 55-02**

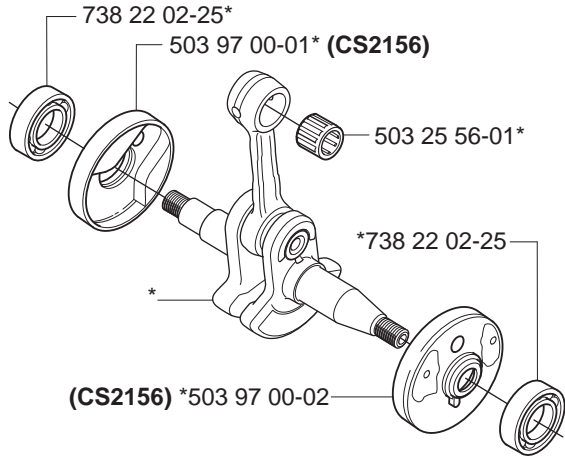
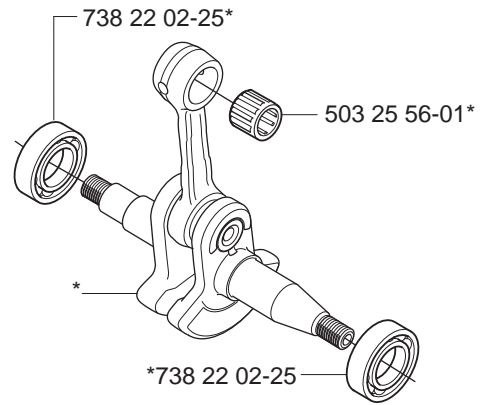
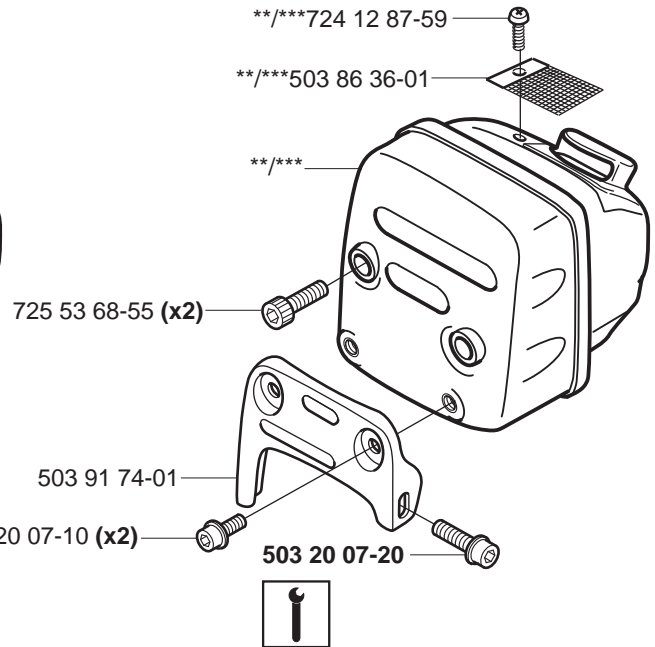
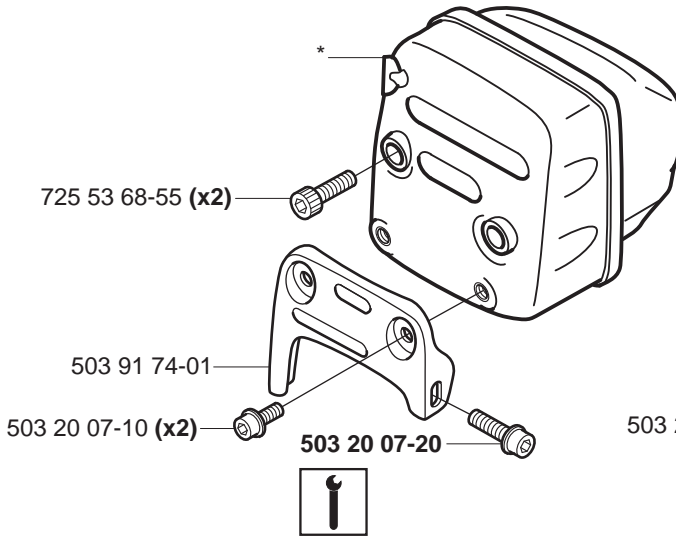
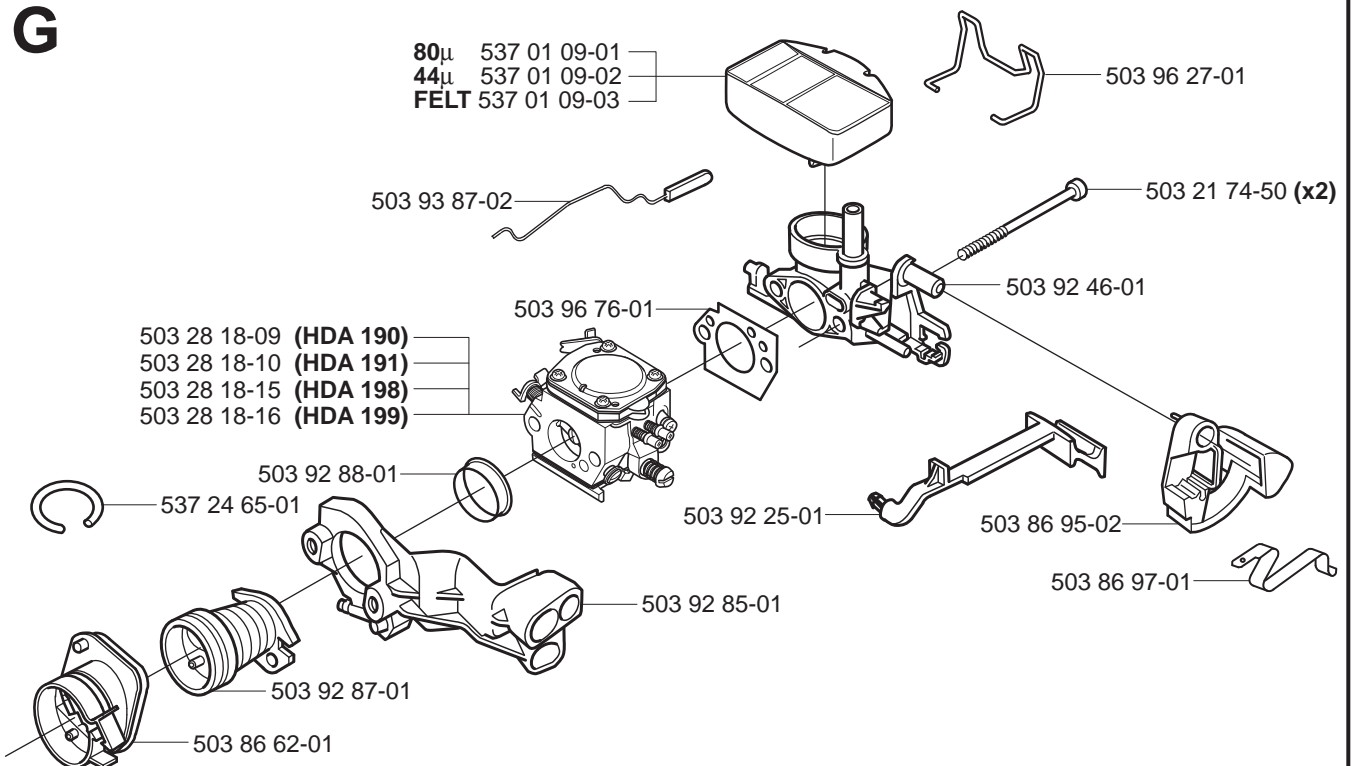


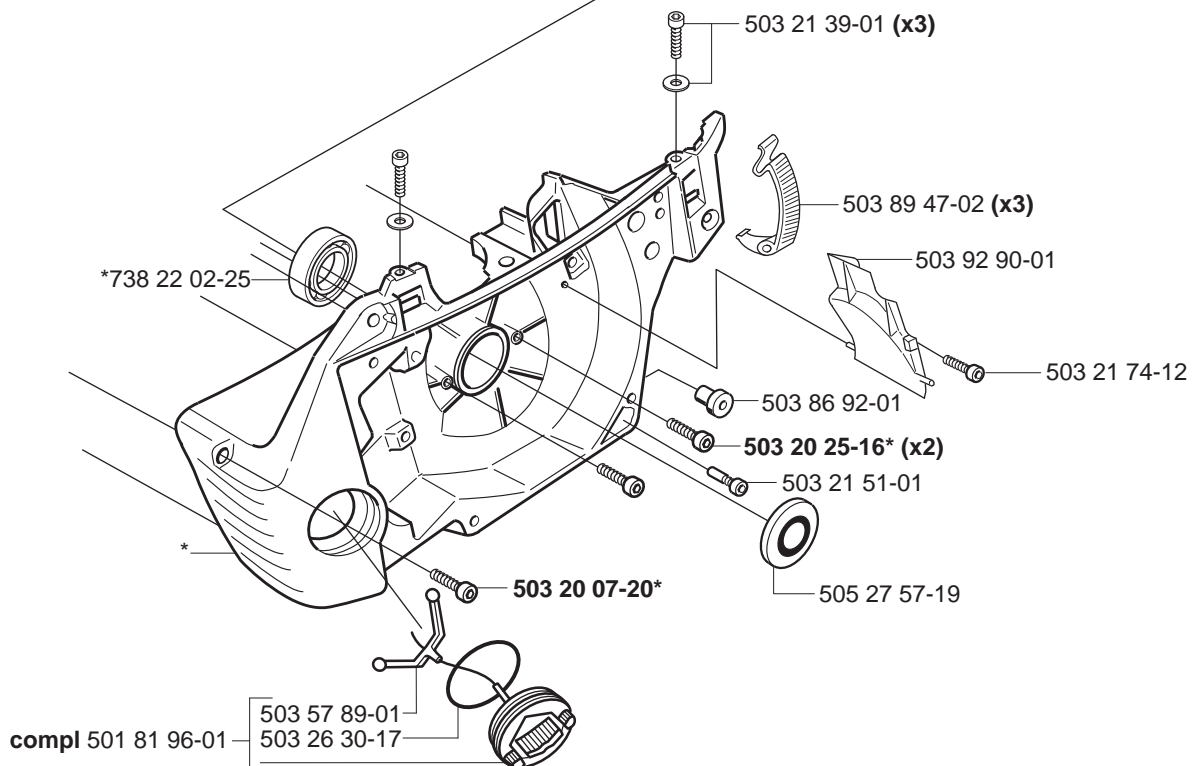
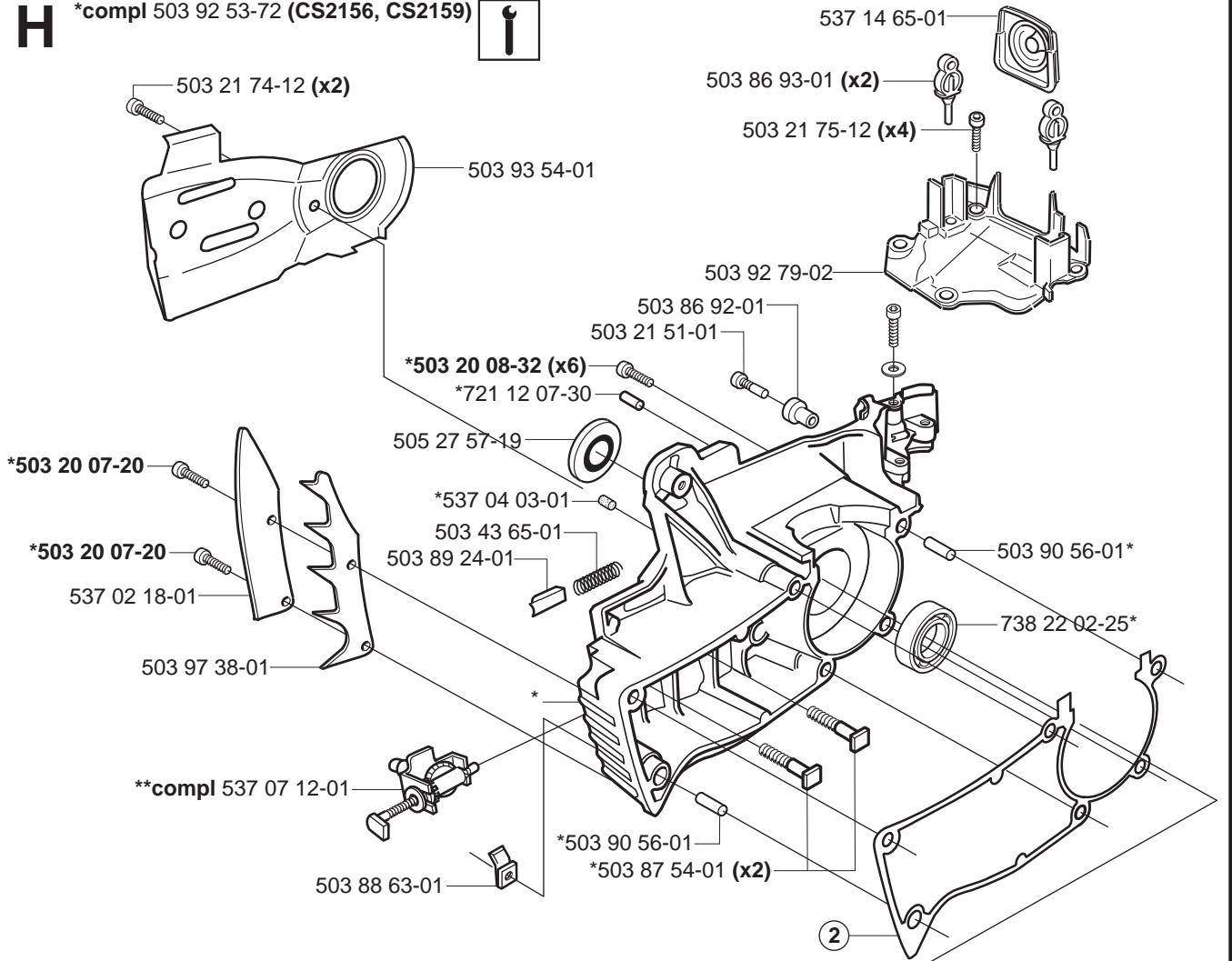
# C

**\*compl 537 01 02-02**



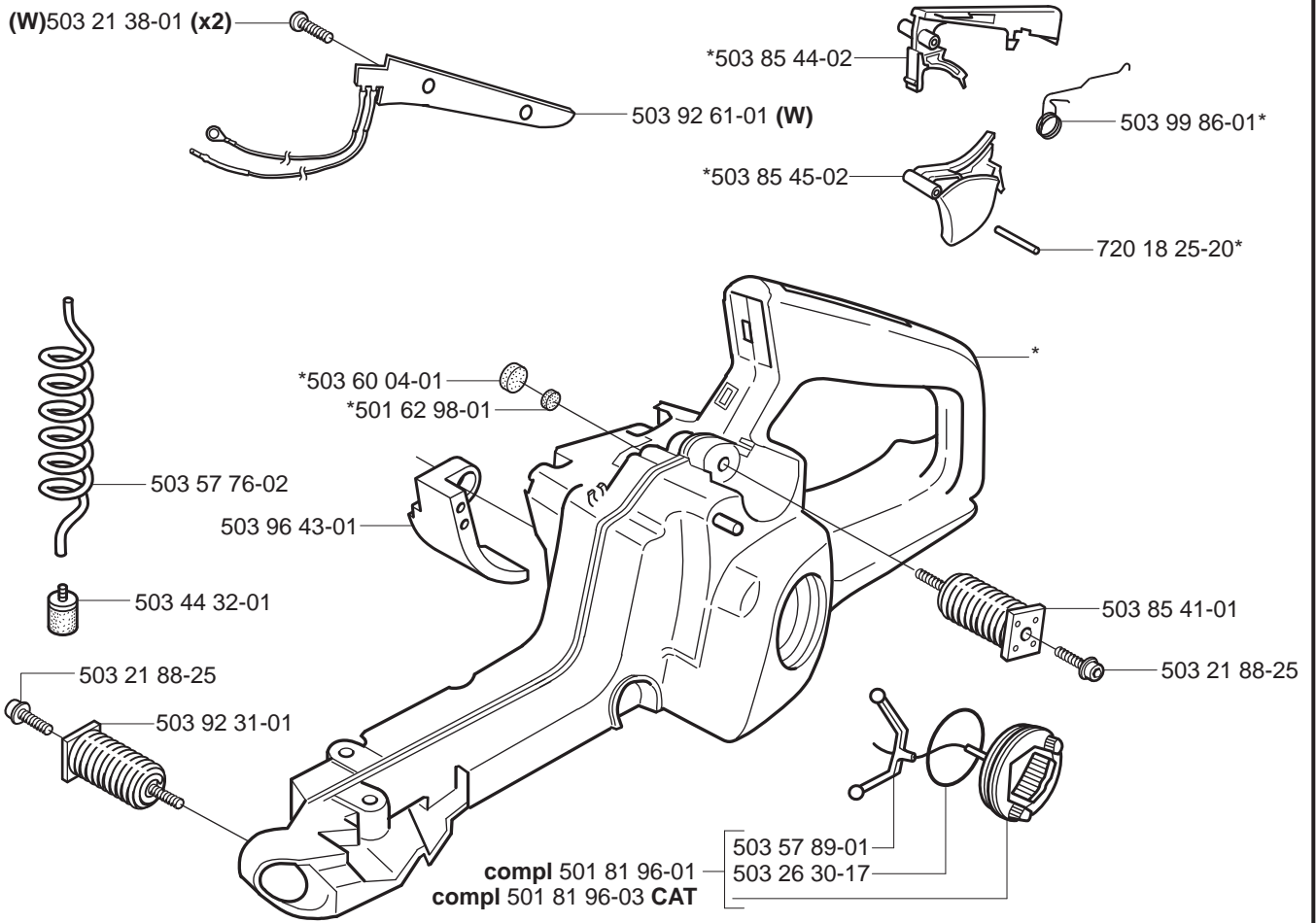
**D****\*compl 537 24 85-02 (CS2156)****D****\*compl 537 15 73-02 (CS2159)**

**E****\*compl 537 21 92-01 (CS2156)****E****\*compl 537 15 68-01 (CS2159)****F****\*compl 503 91 76-01 (EU CS2156, CS2159)****\*\*compl 503 91 75-01 (FF CS2159)****\*\*\*compl 537 10 22-01 (CAT CS2156, CS2159)****\*\*/\*\*724 12 87-59****\*\*/\*\*503 86 36-01****\*\*/\*\*****G****80μ 537 01 09-01****44μ 537 01 09-02****FELT 537 01 09-03****503 96 27-01****503 93 87-02****503 21 74-50 (x2)****503 28 18-09 (HDA 190)****503 28 18-10 (HDA 191)****503 28 18-15 (HDA 198)****503 28 18-16 (HDA 199)****503 96 76-01****503 92 46-01****503 92 88-01****537 24 65-01****503 92 25-01****503 86 95-02****503 86 97-01****503 92 85-01****503 92 87-01****503 86 62-01**

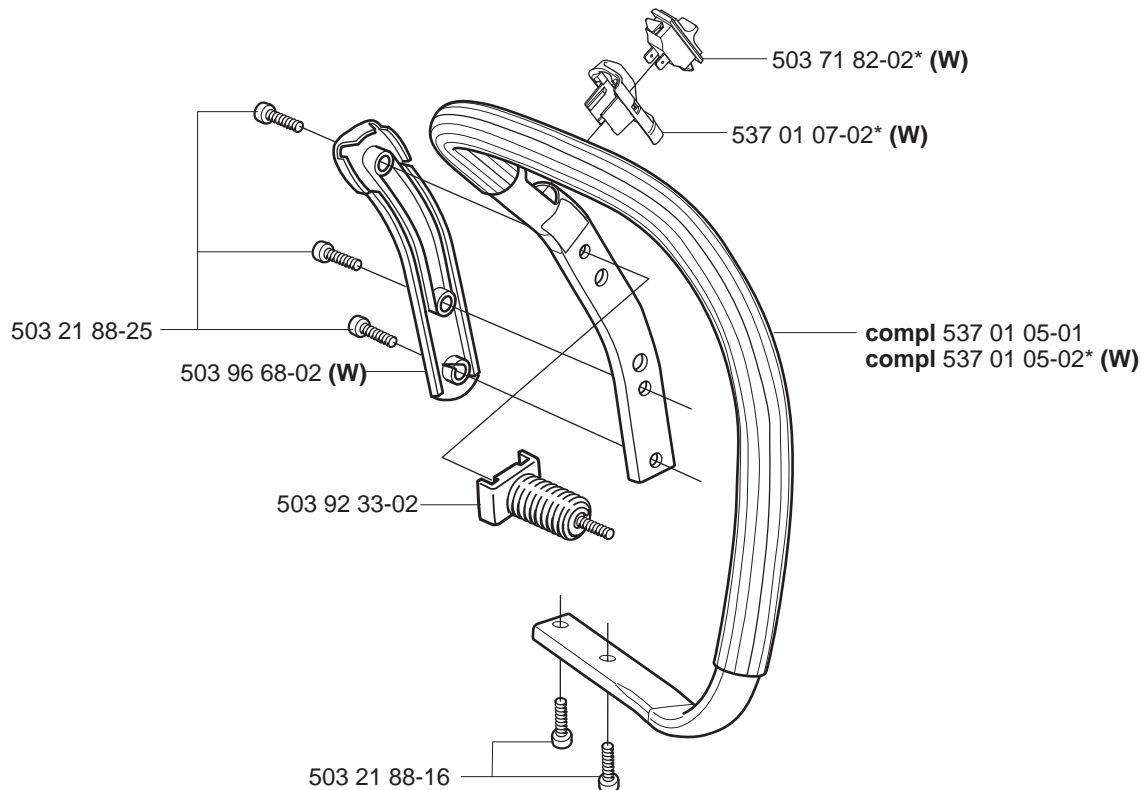
**H****\*compl 503 92 53-72 (CS2156, CS2159)**

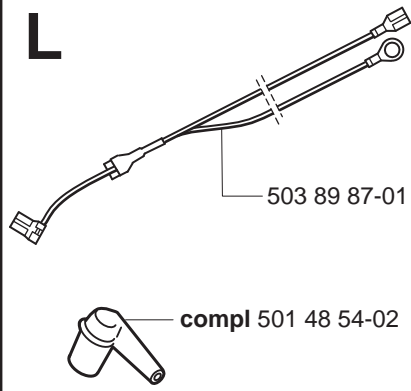
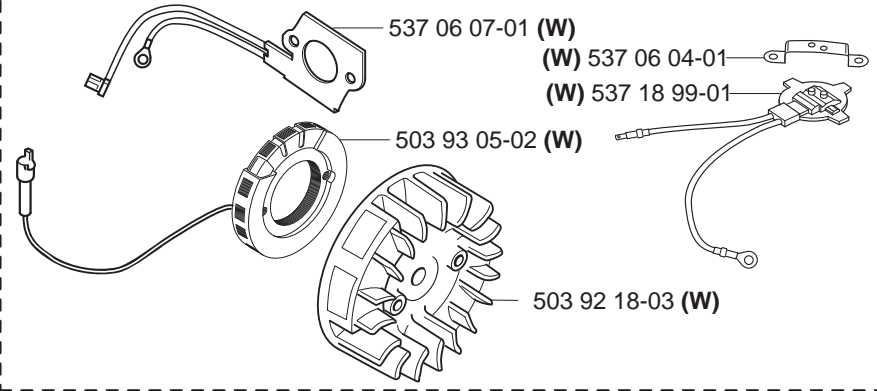
# J

\*compl 503 92 30-72



# K



**L****Heated carburettor**

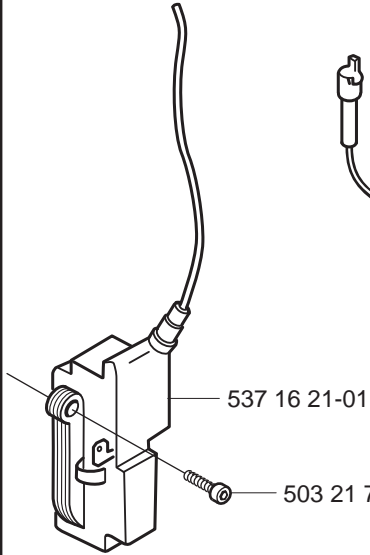
537 06 07-01 (W)

(W) 537 06 04-01

(W) 537 18 99-01

503 93 05-02 (W)

503 92 18-03 (W)



(W) 503 93 05-01



503 20 25-16 (x2)

503 22 04-01

compl 503 92 18-01  
(W) compl 503 92 18-02

503 81 81-01 (x2)

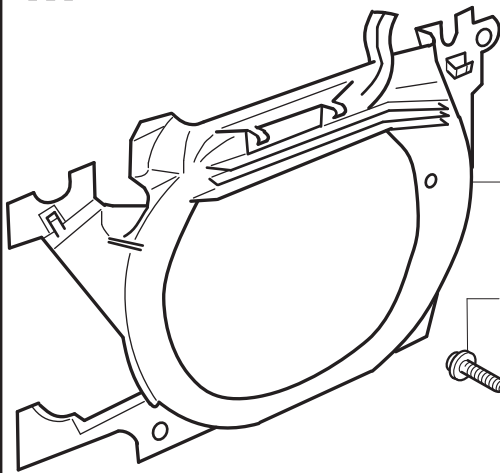
503 23 00-42 (x2)

537 10 36-01 (x2)

501 81 99-03 (x2)

**M**

\*compl 537 00 97-01



503 92 89-01

503 21 69-16\*

505 30 51-25\*

537 06 59-01\*

537 09 31-01\*

\*503 21 29-10 (x2)

\*537 00 98-01

\*504 65 42-03

\*501 63 06-01

\*503 20 34-19 (x4)

537 28 01-01 (CS2159)

537 28 01-02 (CS2159W)

537 28 01-03 (CS2159C)

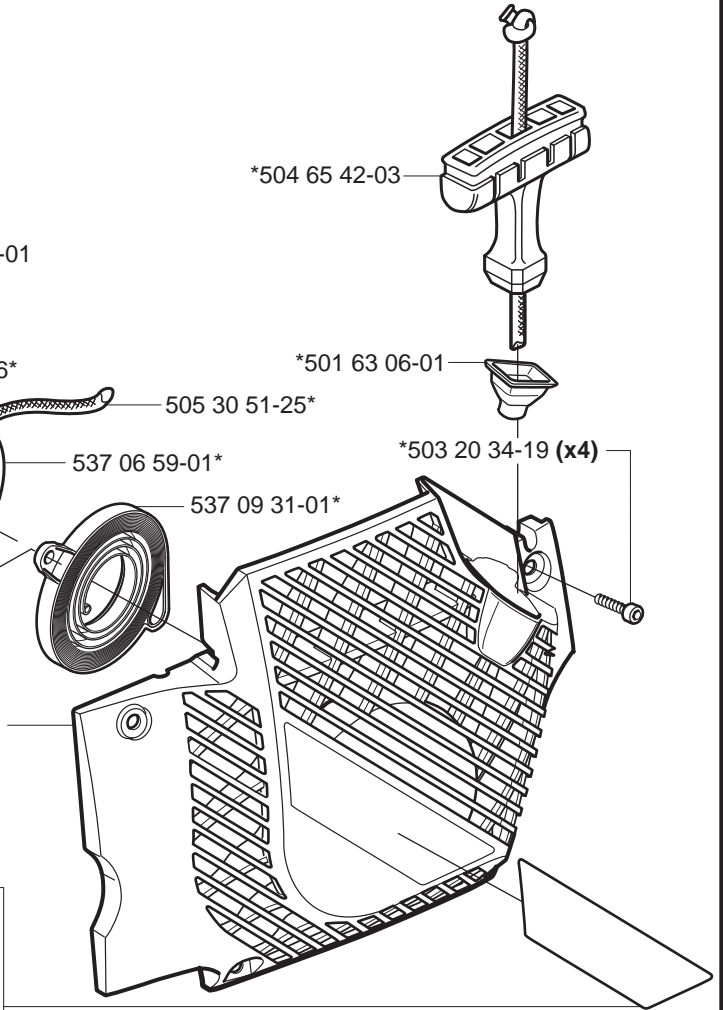
537 28 01-05 (CS2159WH)

537 28 01-06 (CS2159CWH)

537 28 01-07 (CS2156)

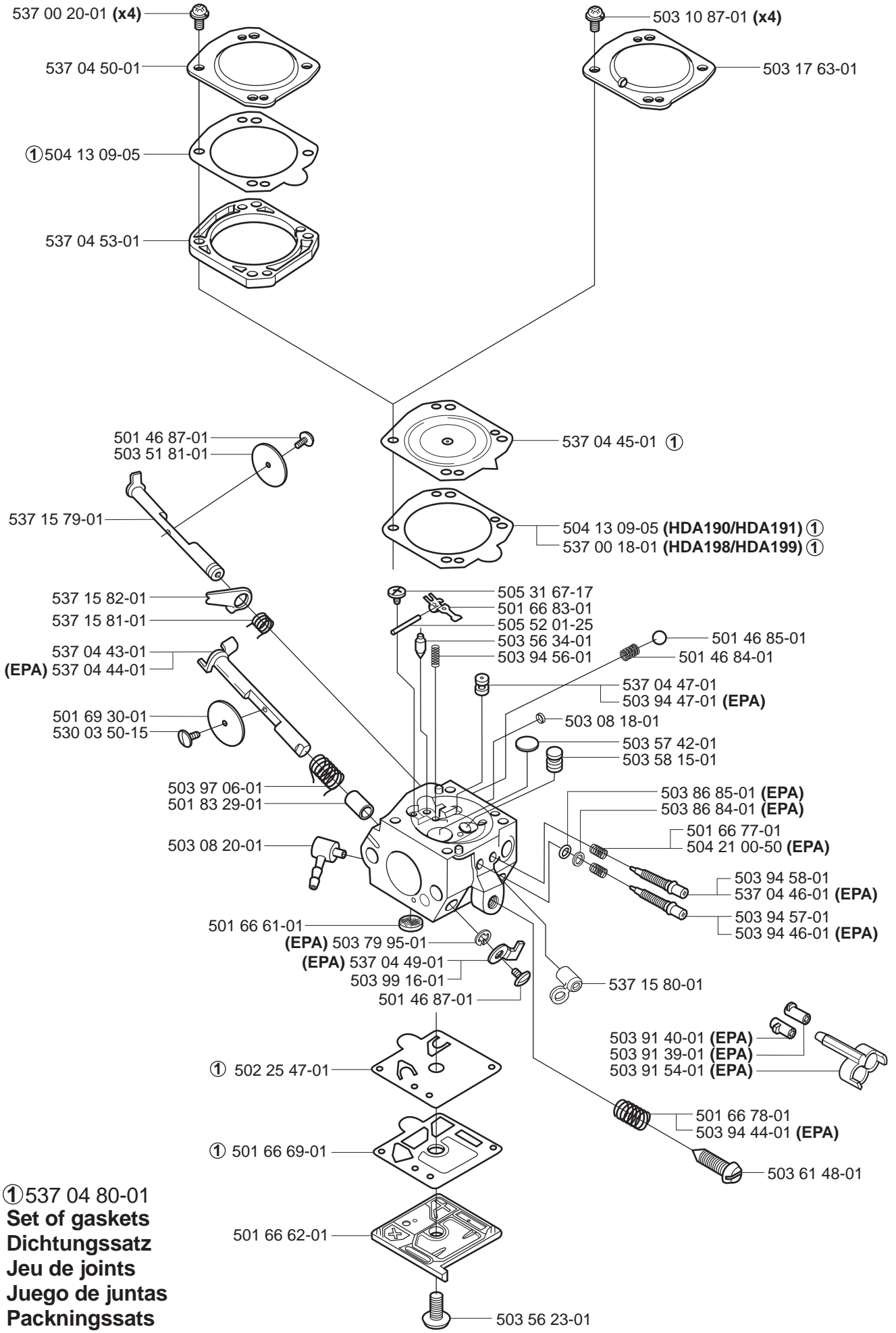
537 28 01-08 (CS2156CWH)

537 28 01-10 (CS2156C)



**N** compl 503 28 18-15 Walbro HDA 198  
 compl 503 28 18-16 Walbro HDA 199 (EPA)

compl 503 28 18-09 Walbro HDA 190 Heated  
 compl 503 28 18-10 Walbro HDA 191 Heated (EPA)



① 537 04 80-01  
**Set of gaskets**  
**Dichtungssatz**  
**Jeu de joints**  
**Juego de juntas**  
**Packningssats**



# P

Accessories

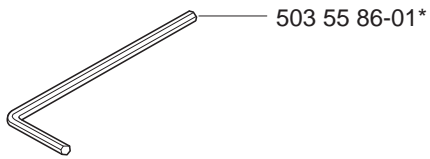
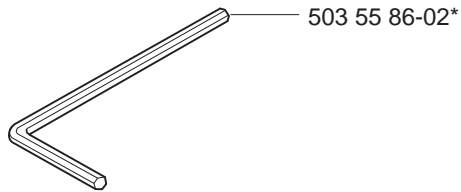
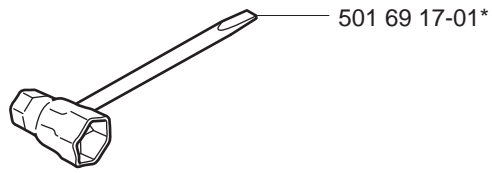
Zubehöre

Accessories

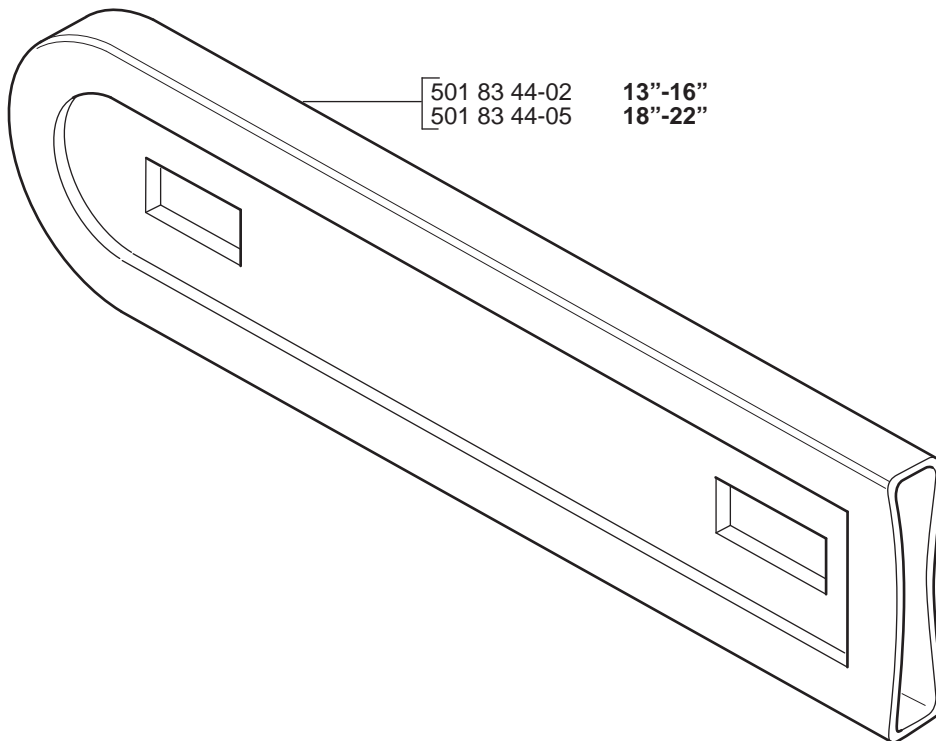
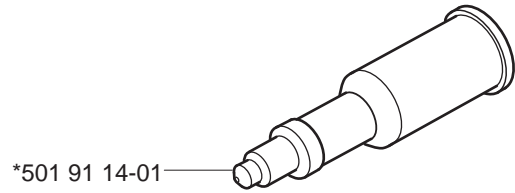
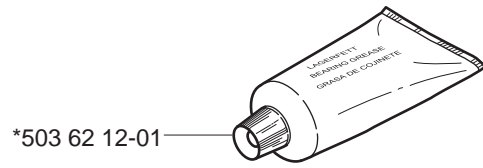
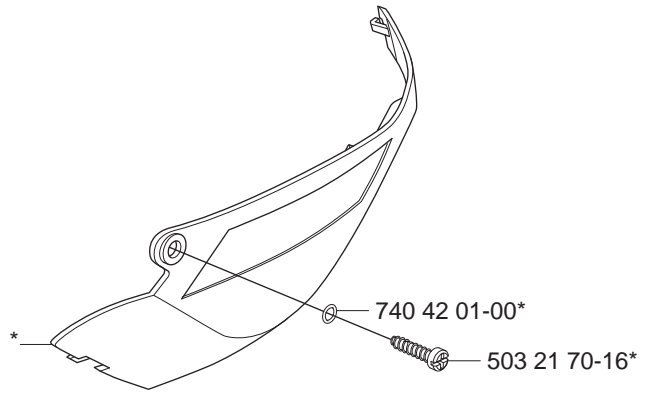
Accesorios

Tillbehör

\*compl 503 55 85-01



\*compl 537 17 16-01 WINTER KIT

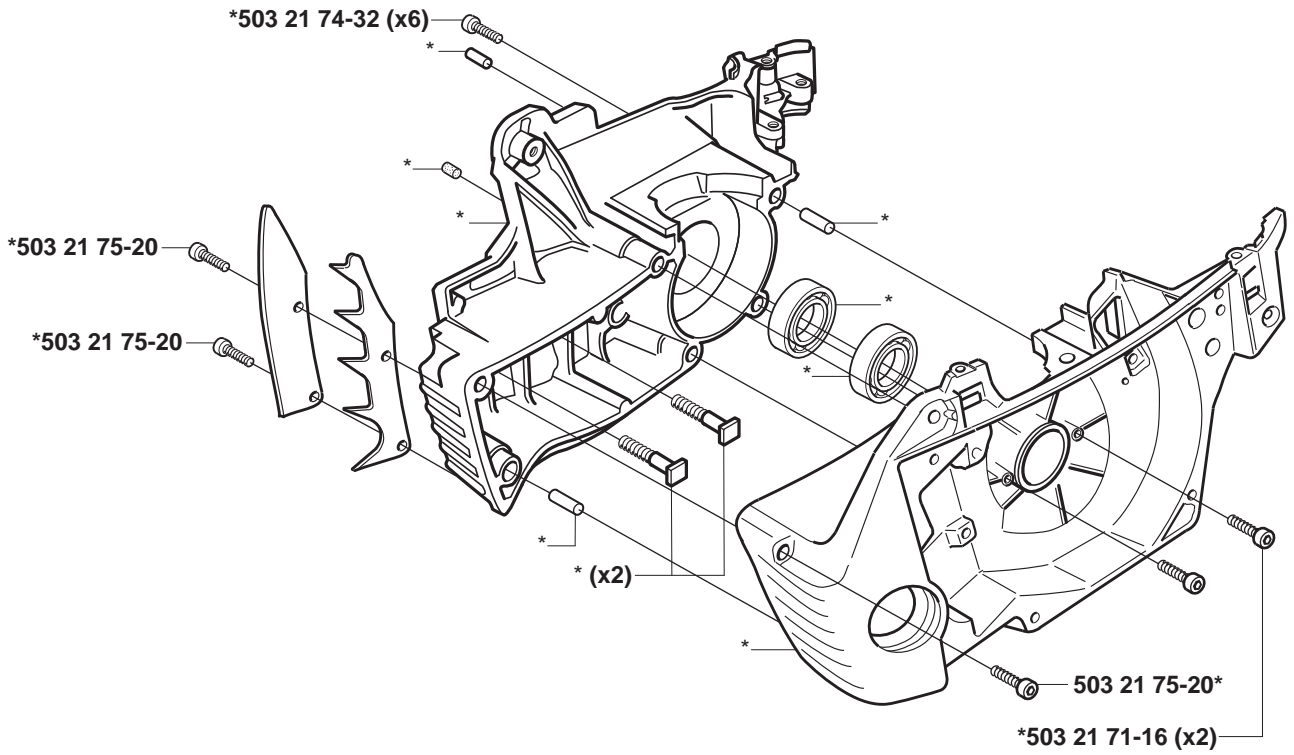


Q



# Up to 030600511 (CS2159)

\*compl 503 92 53-72 (CS2159)



PART NUMBER	SQUARE NOTE	PART NUMBER	SQUARE NOTE	PART NUMBER	SQUARE NOTE	PART NUMBER	SQUARE NOTE
537 10 34-01	B	503 55 85-01	P	503 93 54-01	H	537 10 48-01	A
501 45 74-02	B	503 55 86-01	P	503 93 87-02	G	537 10 55-02	B
501 46 84-01	N	503 55 86-02	P	503 94 44-01	N	537 10 79-01	A
501 46 85-01	N	503 56 23-01	N	503 94 46-01	N	537 10 80-01	A
501 46 87-01	N	503 56 34-01	N	503 94 47-01	N	537 11 32-03	D
501 48 54-02	L	503 57 42-01	N	503 94 56-01	N	537 12 68-03	D
501 59 80-02	B	503 57 76-02	J	503 94 57-01	N	537 14 65-01	H
501 62 98-01	J	503 57 89-01	H,J	503 94 58-01	N	537 15 27-01	A,C
501 63 06-01	M	503 58 15-01	N	503 96 27-01	G	537 15 68-01	E
501 66 61-01	N	503 60 04-01	J	503 96 43-01	J	537 15 72-02	D
501 66 62-01	N	503 61 48-01	N	503 96 66-01	D	537 15 73-02	D
501 66 69-01	N	503 62 12-01	P	503 96 68-02	K	537 15 79-01	N
501 66 77-01	N	503 71 53-01	D	503 96 75-01	B	537 15 80-01	N
501 66 78-01	N	503 71 82-02	K	503 96 76-01	G	537 15 81-01	N
501 66 83-01	N	503 79 95-01	N	503 97 00-01	E	537 15 82-01	N
501 69 17-01	P	503 81 81-01	L	503 97 00-02	E	537 16 21-01	L
501 69 30-01	N	503 85 41-01	J	503 97 06-01	N	537 16 69-01	B
501 81 96-01	H,J	503 85 44-02	J	503 97 38-01	H	537 17 16-01	P
501 81 96-03	J	503 85 45-02	J	503 97 85-01		537 18 00-01	D
501 81 99-03	L	503 85 52-01	A	503 98 00-71	B	537 18 99-01	L
501 83 29-01	N	503 85 66-01	A	503 98 74-01	A	537 21 92-01	E
501 83 44-02	P	503 86 36-01	F	503 99 16-01	N	537 21 96-02	D
501 83 44-05	P	503 86 62-01	G	503 99 86-01	J	537 22 29-01	D
501 91 14-01	P	503 86 84-01	N	504 13 09-05	N	537 24 45-01	D
502 25 47-01	N	503 86 85-01	N	504 21 00-50	N	537 24 65-01	G
503 08 18-01	N	503 86 92-01	H	504 65 42-03	M	537 24 85-02	D
503 08 20-01	N	503 86 93-01	H	505 27 57-19	H	537 28 01-01	M
503 10 87-01	N	503 86 95-02	G	505 30 51-25	M	537 28 01-02	M
503 17 63-01	N	503 86 97-01	G	505 31 67-17	N	537 28 01-03	M
503 20 07-10	F	503 87 54-01	H	505 52 01-25	N	537 28 01-05	M
503 20 07-20	F,H	503 88 63-01	H	530 03 50-15	N	537 28 01-06	M
503 20 08-32	H	503 89 08-02	A	537 00 18-01	N	537 28 01-07	M
503 20 25-16	H,L	503 89 15-01	B	537 00 20-01	N	537 28 01-08	M
503 20 34-19	M	503 89 16-01	B	537 00 63-01	A	537 28 01-10	M
503 21 29-10	M	503 89 24-01	H	537 00 97-01	M	537 32 09-01	D
503 21 38-01	J	503 89 29-01	A	537 00 98-01	M	720 18 25-20	J
503 21 39-01	H	503 89 30-02	A	537 01 02-02	C	721 11 64-30	B
503 21 51-01	H	503 89 47-02	H	537 01 05-01	K	721 12 07-30	H
503 21 69-16	M	503 89 87-01	L	537 01 05-02	K	724 12 87-59	F
503 21 70-10	A	503 90 56-01	H	537 01 07-02	K	725 53 33-55	D
503 21 70-16	P	503 91 27-02	B	537 01 09-01	G	725 53 68-55	F
503 21 71-16	Q	503 91 29-02	B	537 01 09-02	G	735 31 08-20	A
503 21 74-12	B,H	503 91 39-01	N	537 01 09-03	G	737 43 12-00	D
503 21 74-25	L	503 91 40-01	N	537 02 18-01	H	738 22 02-25	E
503 21 74-32	Q	503 91 54-01	N	537 02 26-01	D	738 22 02-25	E,H
503 21 74-50	G	503 91 65-01	D	537 02 71-01	B	740 42 01-00	P
503 21 75-12	H	503 91 66-01	D	537 02 99-01	A		
503 21 75-20	Q	503 91 74-01	F	537 04 03-01	H		
503 21 88-16	K	503 91 75-01	F	537 04 30-01	A		
503 21 88-25	J,K	503 91 76-01	F	537 04 43-01	N		
503 22 00-01	A	503 92 18-01	L	537 04 44-01	N		
503 22 04-01	L	503 92 18-02	L	537 04 45-01	N		
503 23 00-42	L	503 92 18-03	L	537 04 46-01	N		
503 23 00-60	B	503 92 25-01	G	537 04 47-01	N		
503 23 51-08	D	503 92 30-72	J	537 04 49-01	N		
503 25 52-01	B	503 92 31-01	J	537 04 50-01	N		
503 25 56-01	D,E	503 92 33-02	K	537 04 53-01	N		
503 26 30-17	H,J	503 92 46-01	G	537 04 80-01	N		
503 28 18-09	G,N	503 92 53-72	H,Q	537 06 04-01	L		
503 28 18-10	G,N	503 92 61-01	J	537 06 07-01	L		
503 28 18-15	G,N	503 92 79-02	H	537 06 59-01	M		
503 28 18-16	G,N	503 92 85-01	G	537 06 93-01	B		
503 28 90-14	D	503 92 87-01	G	537 07 12-01	H		
503 28 90-29	D	503 92 88-01	G	537 08 90-01	A		
503 40 59-01	C	503 92 89-01	M	537 09 18-01	B		
503 43 65-01	H	503 92 90-01	H	537 09 31-01	M		
503 44 32-01	J	503 92 95-01	A	537 09 61-01	D		
503 46 59-01	A	503 93 05-01	L	537 10 11-01	B		
503 51 81-01	N	503 93 05-02	L	537 10 22-01	F		
503 55 22-01	D	503 93 48-71	B	537 10 36-01	L		

1 = 537 04 80-01  
2 = 503 97 85-01

Set of gaskets  
Dichtungssatz  
Jeu de joints  
Juego de juntas  
Packingssatz

N = New part  
Neues teil  
Nouvelle piece  
Nueva pieza  
Ny detalj

EPA = Environmental Protection Agency  
(for USA only)