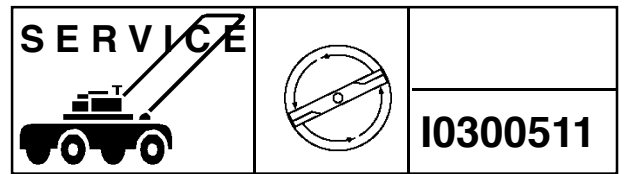


# **Jonsered**

## **Accessories**



IPL, Sweeper 32", Sweeper 38", 2003-10, 106 31 29-61

Sweeper 32" 953 52 58-02

Sweeper 38" 953 52 59-02

# **Sweeper 32"**

# **Sweeper 38"**

**Spare parts**

**Ersatzteile**

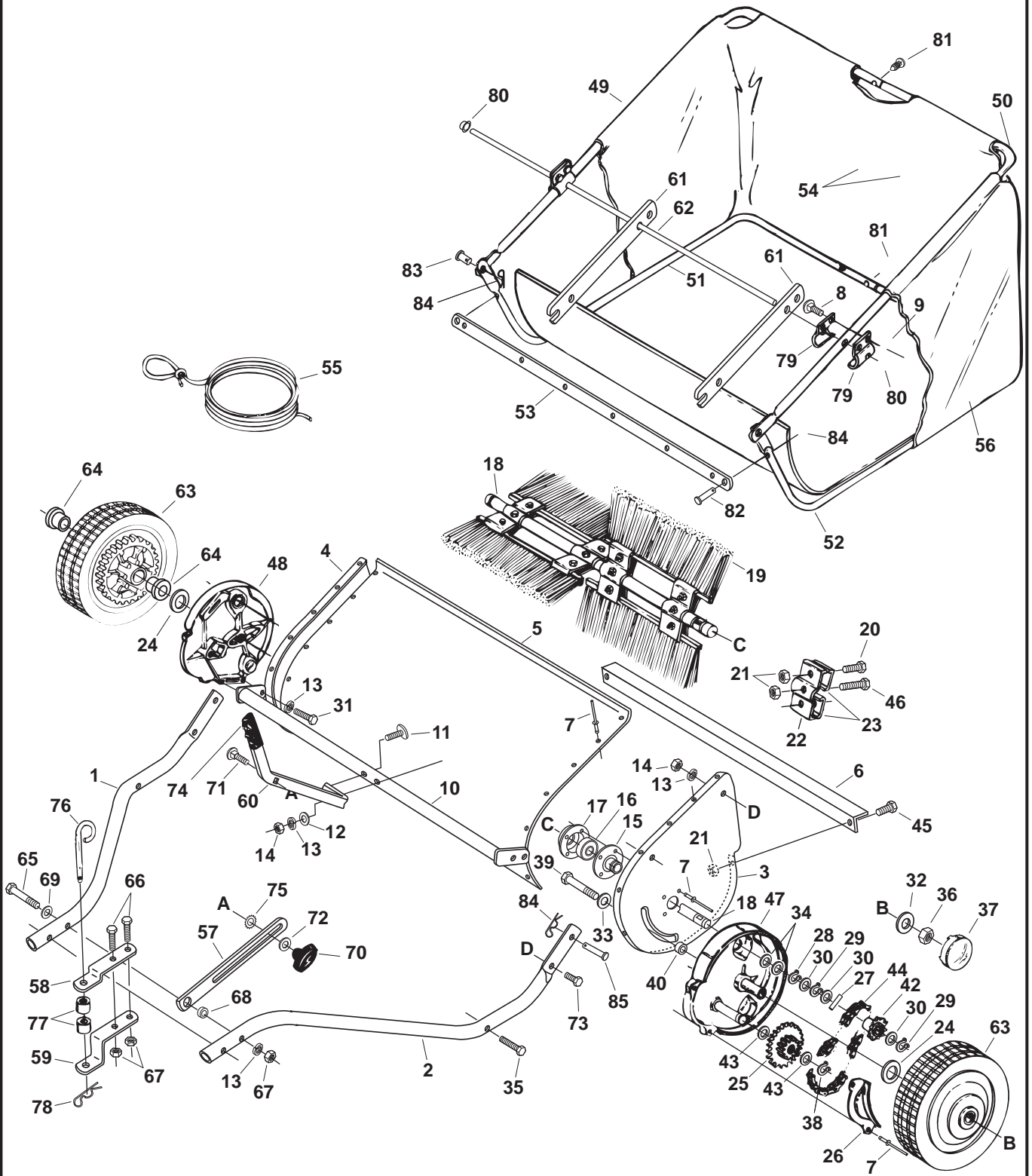
**Pièces détachées**

**Reserve onderdelen**

**Repuestos**

**Reservdelar**

# A



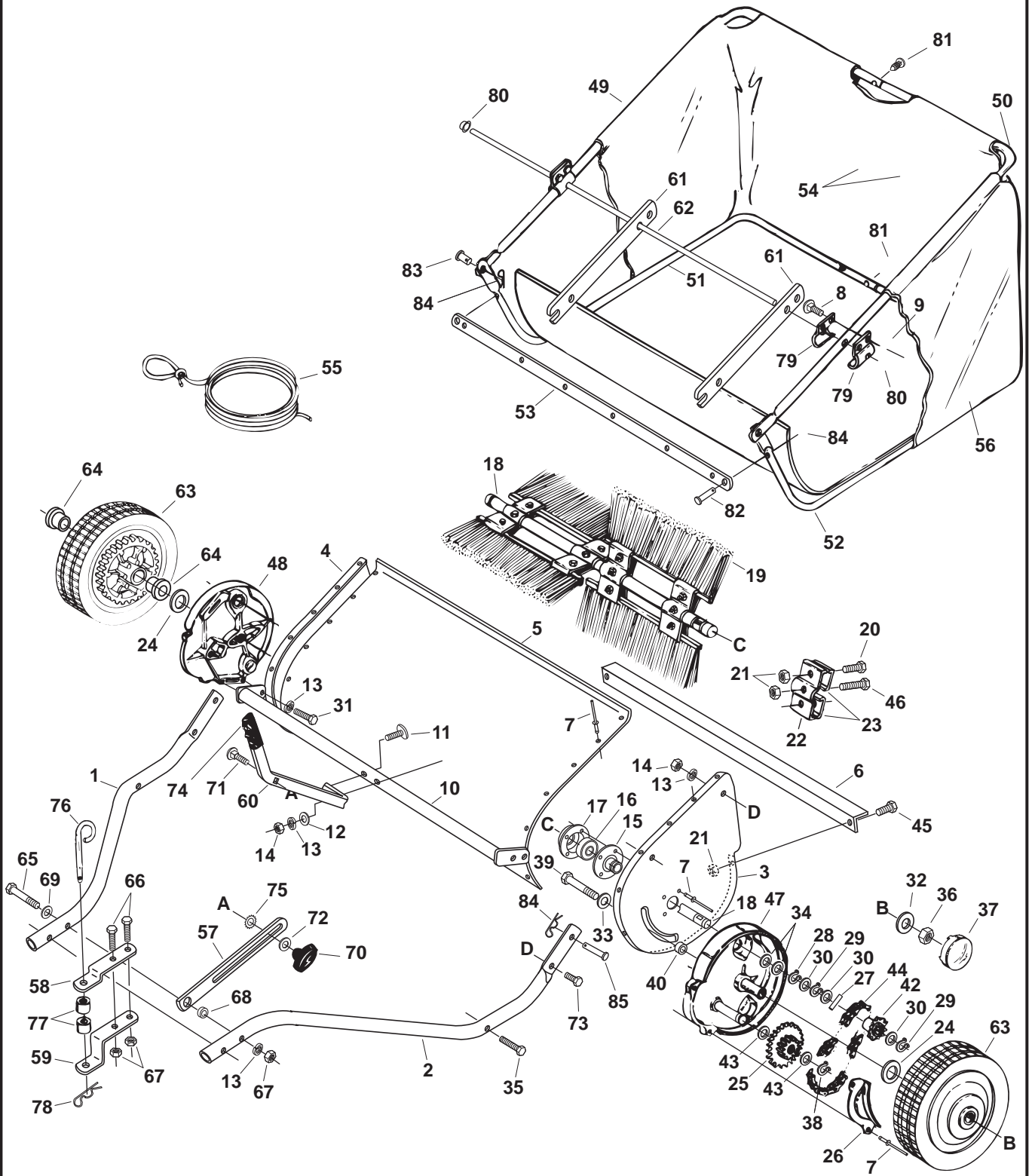
REPAIR PARTS FOR MODELS 45-02092 (32") & 45-01972 (38") – HIGH PERFORMANCE LAWN SWEEPERS

Ref. No.	Part No.	Qty.		Description
		32"	38"	
1	531 00 74-09	1	-	Hitch Tube, R.H.
	531 00 74-10	-	1	Hitch Tube, R.H.
2	531 00 74-11	1	-	Hitch Tube, L.H.
	531 00 74-12	-	1	Hitch Tube, L.H.
3	531 00 28-08	1	1	End Plate, L.H.
4	531 00 28-09	1	1	End Plate, R.H.
5	531 00 74-13	1	-	Wrapper
	531 00 74-14	-	1	Wrapper
6	531 00 74-15	1	-	Brace, Rear Support
	531 00 74-16	-	1	Brace, Rear Support
7	722 78 70-03	24	24	Rivet, Pop
8	872 14 05-06	4	4	Bolt, Carriage 5/16-18 x 3/4"
9	531 00 76-16	4	4	Nut, Hex 5/16-18 (SEMS)
10	531 00 74-18	1	-	Height Adjustment Ass'y.
	531 00 74-19	-	1	Height Adjustment Ass'y.
11	531 00 28-15	2	2	Bolt, Cv. Hd. 5/16-18 x 1-5/8" Lg.
12	531 00 28-16	2	2	Washer, Bowed 1" x .32" x .06"
13	735 11 64-05	12	12	Lock Washer, 5/16"
14	873 22 05-00	6	6	Nut, Hex 5/16-18 Thread
15	506 62 02-01	2	2	Brush Bushing Ass'y.
16	531 00 28-17	2	2	Ball Bearing
17	506 62 04-01	2	2	Retainer, Dust Cover
18	531 00 76-15	1	-	Brush Shaft, 32"
	506 62 05-01	-	1	Brush Shaft, 38"
19	531 00 74-20	4	-	Brush, 32"
	531 00 74-21	-	4	Brush, 38"
20	725 23 70-51	8	8	Bolt, Hex 1/4-20 x 3/4" Lg.
21	531 00 76-29	14	14	Nut, Hex Lock 1/4-20 Thread
22	506 62 06-01	4	4	Retainer, Brush (Double)
23	506 62 07-01	8	8	Retainer, Brush (Single)
24	531 00 27-41	2	2	Washer, Flat 1-1/8" x .78" x .025"
25	506 62 17-01	2	2	Sprocket / Gear
26	506 62 18-01	2	2	Dust Cover
27	531 00 76-50	2	2	Dowel Pin (Drive)
28	506 62 23-01	2	2	Ring, Retaining 3/4"
29	506 62 24-01	4	4	Ring, Retaining .594"
30	506 62 25-01	6	6	Washer, Shim 1-1/8" x .594" x .025"
31	874 78 05-12	4	4	Bolt, Hex 5/16-18 x 3/4" Lg.
32	734 11 73-41	2	2	Washer, Flat 1-1/2" x .375" x .062"
33	734 11 72-01	2	2	Washer, 3/8" Std. Wrt
34	506 62 47-01	4	4	Washer, Flat .78" x 1.25" x .06"
35	531 00 28-38	2	2	Bolt, Hex 5/16-18 x 1-3/4" Lg.
36	506 62 29-01	2	2	Nut, Hex Lock 3/8-24 Thread
37	506 62 30-01	2	2	Hub Cap
38	506 62 31-01	2	2	Ring, Retaining 1/2"
39	506 62 33-01	2	2	Bolt, Hex 3/8-24 x 3-1/2" Lg.
40	506 62 66-01	2	2	Bushing, Spacer
41	531 00 27-99	1	1	Sprocket, Ratchet R.H. (not shown)
42	506 62 35-01	1	1	Sprocket, Ratchet L.H.
43	506 62 36-01	4	4	Washer, 1/2" x 1" x .02"
44	531 00 27-41	2	2	Chain, Roller
45	531 00 28-21	2	2	Bolt, Hex 1/4-20 x 1/2" Lg.
46	531 00 76-26	4	4	Bolt, Hex 1/4-20 x 1" Lg.

Correction:

44 531 00 27-45 2 2 Chain, Roller

# A



REPAIR PARTS FOR MODELS 45-02092 (32") & 45-01972 (38") – HIGH PERFORMANCE LAWN SWEEPERS

Ref. No.	Part No.	Qty.		Description
		32"	38"	
47	531 00 27-44	1	1	Housing, Wheel Drive Ass'y. L.H.
48	531 00 27-43	1	1	Housing, Wheel Drive Ass'y. R.H.
49	531 00 76-03	1	-	Tube, Upper Hopper Frame R.H.
	506 62 38-01	-	1	Tube, Upper Hopper Frame R.H.
50	531 00 76-02	1	-	Tube, Upper Hopper Frame L.H.
	506 62 39-01	-	1	Tube, Upper Hopper Frame L.H.
51	531 00 76-04	1	-	Tube, Lower Hopper Frame R.H.
	506 62 42-01	-	1	Tube, Lower Hopper Frame R.H.
52	531 00 76-05	1	-	Tube, Lower Hopper Frame L.H.
	506 62 43-01	-	1	Tube, Lower Hopper Frame L.H.
53	531 00 76-14	1	-	Strap, Bag Frame
	506 62 15-01	-	1	Strap, Bag Frame
54	506 62 44-01	2	2	Rod, Hopper Support
55	531 00 27-34	1	1	Hopper Rope
56	531 00 76-68	1	-	Hopper Bag, 32"
	531 00 76-69	-	1	Hopper Bag, 38"
57	531 00 28-28	1	1	Strap, Height Adjustment
58	531 00 27-72	1	1	Bracket, Hitch
59	506 62 12-01	1	1	Bracket, Hitch
60	531 00 28-31	1	1	Handle, Height Adjustment
61	531 00 74 23	2	2	Bag Arm
62	531 00 74-24	1	-	Rod, Hopper Bag Pivot
	531 00 74-25	-	1	Rod, Hopper Bag Pivot
63	531 00 27-46	2	2	Wheel & Tire Ass'y. (White)
64	531 00 27-40	4	4	Wheel Bearing
65	531 00 28-34	2	2	Bolt, Hex 5/16-18 x 3" Lg.
66	531 00 28-35	2	2	Bolt, Hex 5/16-18 x 2-1/4" Lg.
67	531 00 76-16	4	4	Nut, Hex Lock 5/16-18 Thread
68	531 00 28-36	1	1	Bushing, Spacer
69	735 11 64-50	2	2	Washer, Flat 11/32" x 11/16"
70	506 62 60-01	1	1	Knob, Wing 5/16-18 Thread
71	872 14 05-06	1	1	Bolt, Carriage 5/16-18 x 3/4" Lg.
72	734 11 64-01	1	1	Washer, Flat 5/16" Std. Wrt.
73	531 00 74-26	2	2	Bolt, Hex 5/16-18 x 1" Lg.
74	506 62 37-01	1	1	Grip, Height Adjust
75	531 00 28-39	1	1	Washer, Tooth Lock 5/16"
76	506 62 56-01	1	1	Pin, Hitch
77	506 62 65-01	2	2	Tube, Hitch Spacer
78	721 68 02-51	1	1	Hairpin Cotter, 1/8" #4
79	506 62 67-01	4	4	Clamp, Hopper Mount
80	531 00 28-40	2	2	Palnut, 3/8"
81	531 00 76-83	2	2	Plug, 1/4"
82	531 00 76-84	2	2	Pin, Clevis 1/4" x 1-1/8" (Special)
83	531 00 76-85	2	2	Pin, Clevis 3/8" x 1/2" (Special)
84	531 00 28-43	6	6	Pin, Hair Cotter 3/32" #3
85	531 00 46-38	2	2	Pin, Clevis 3/8" x 3/4" Lg.

Correction:

74 506 62 64-01 1 1 Grip, Height Adjust