

CS 2156

CS 2159

CS 2156 EPA

CS 2159 EPA

Spare parts

Ersatzteile

Pièces détachées

Reserve onderdelen

Repuestos

Reservdelar

Replaces

Ersetzt

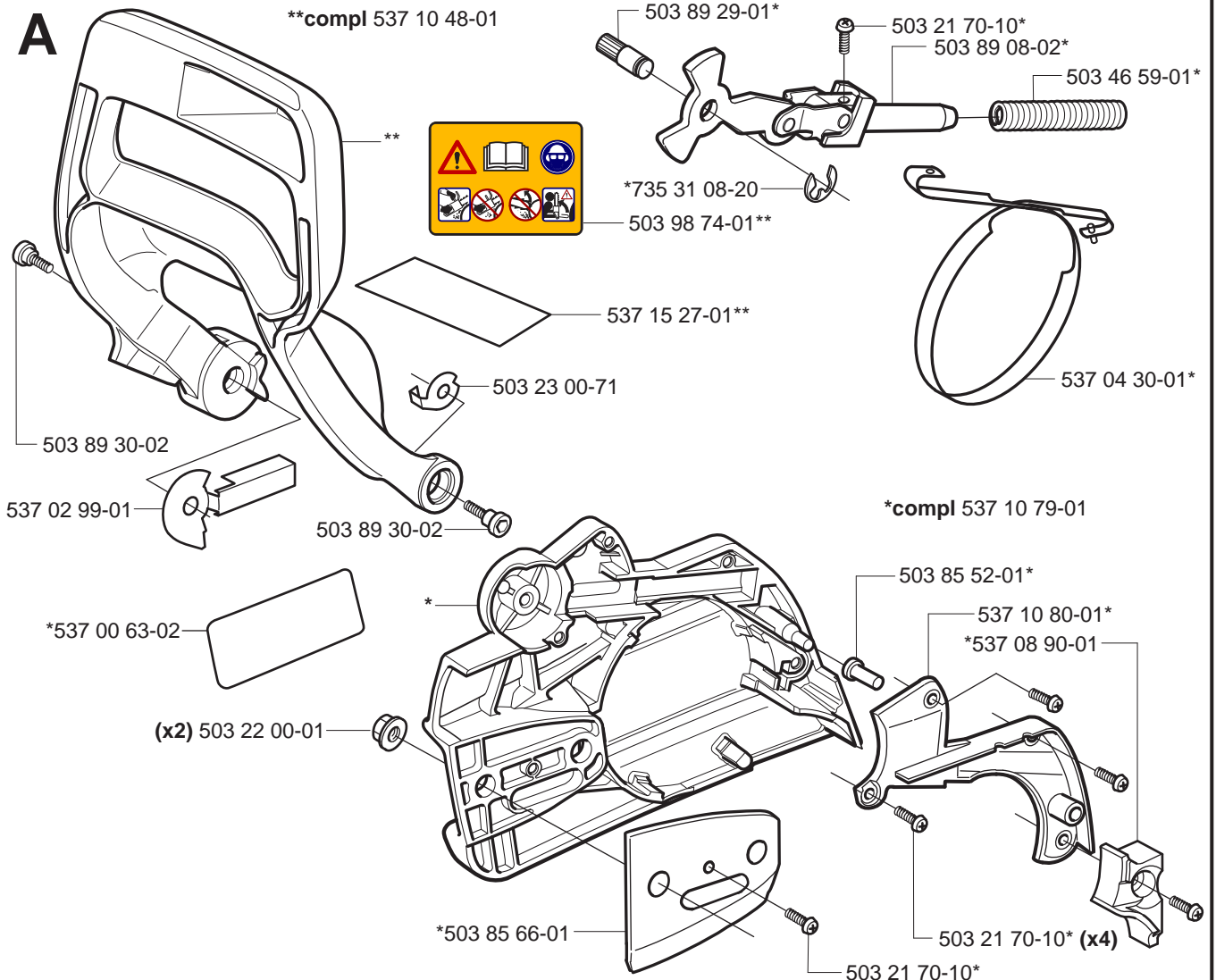
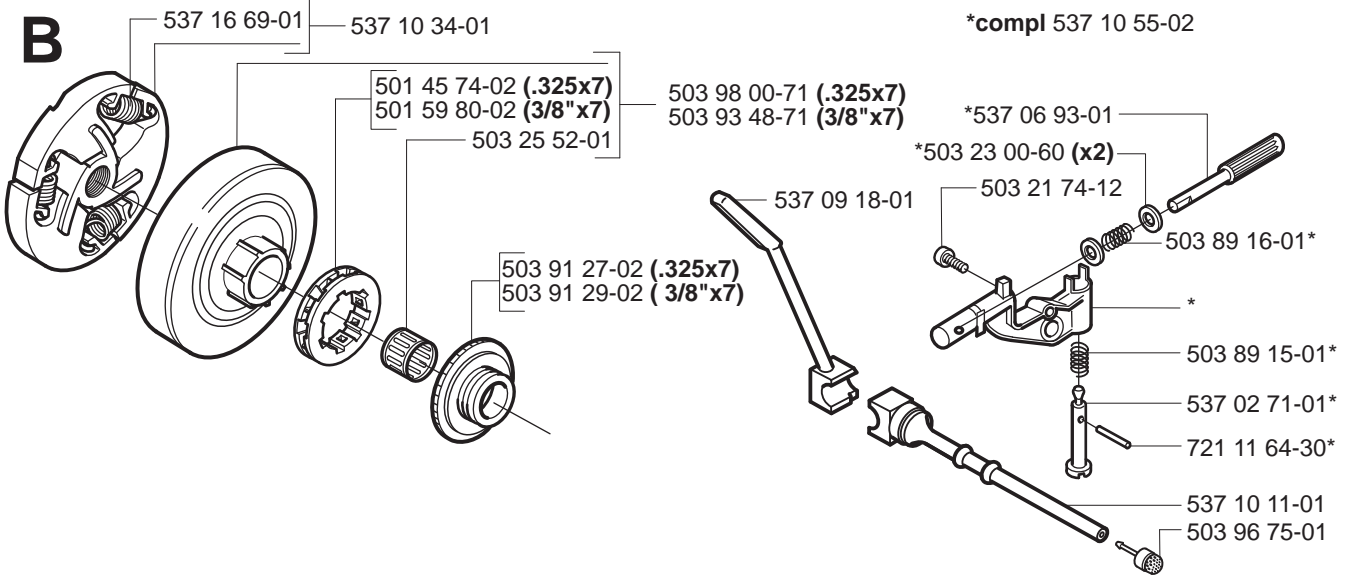
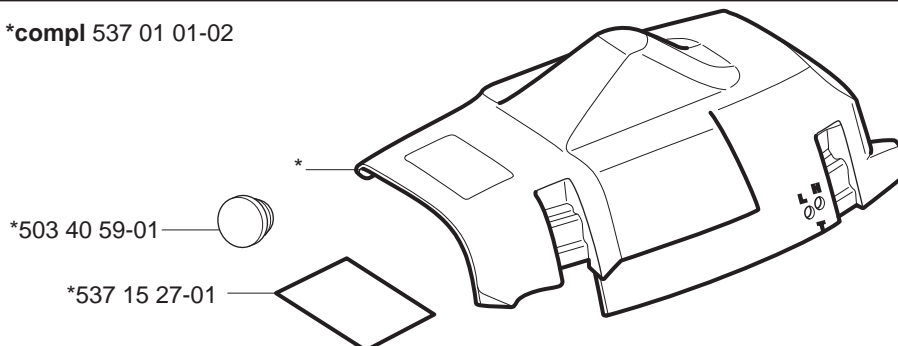
Remplace

Vervangt

Reemplaza

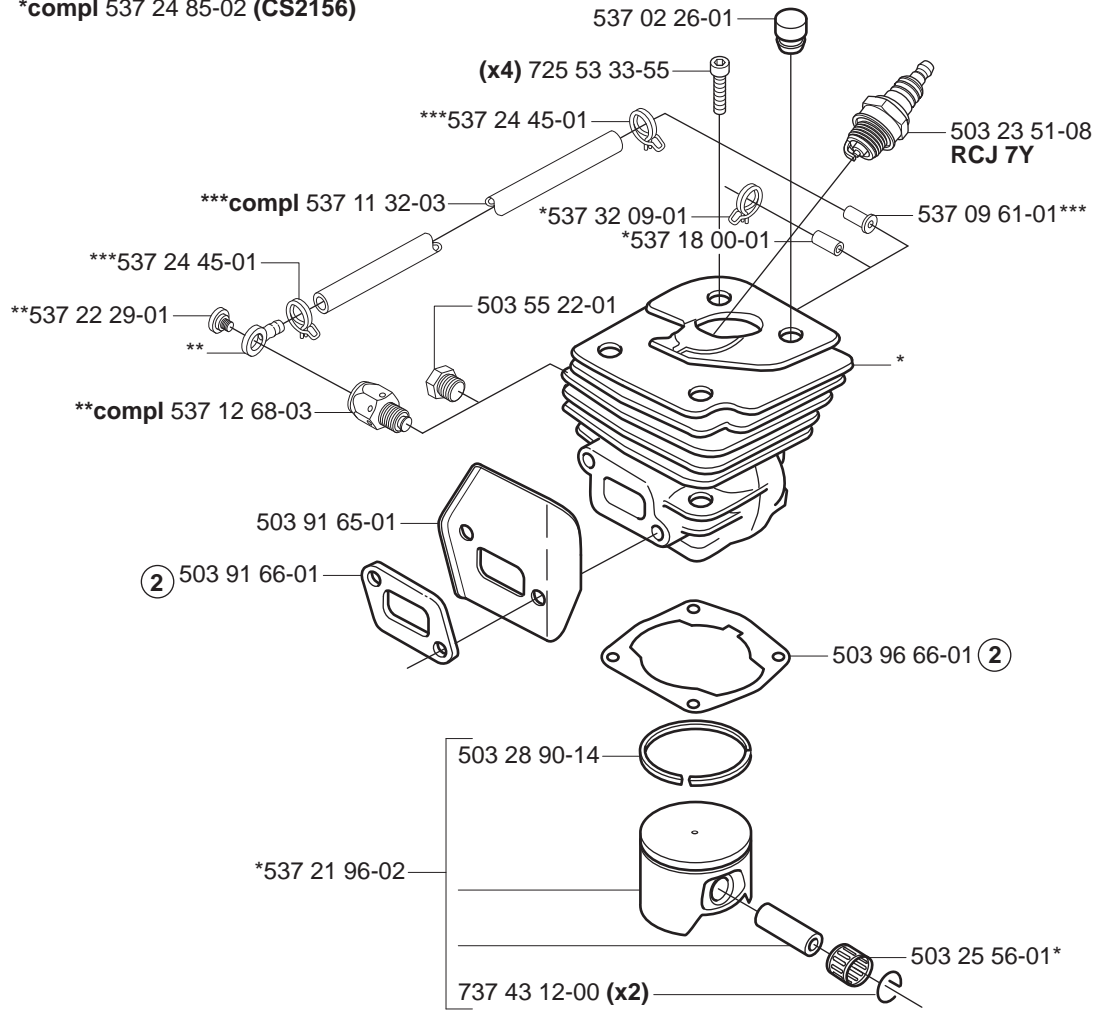
Ersätter

106 27 12-61, 106 30 99-61

A****compl 537 10 48-01*****compl 537 10 79-01****B*****compl 537 10 55-02****C*****compl 537 01 01-02**

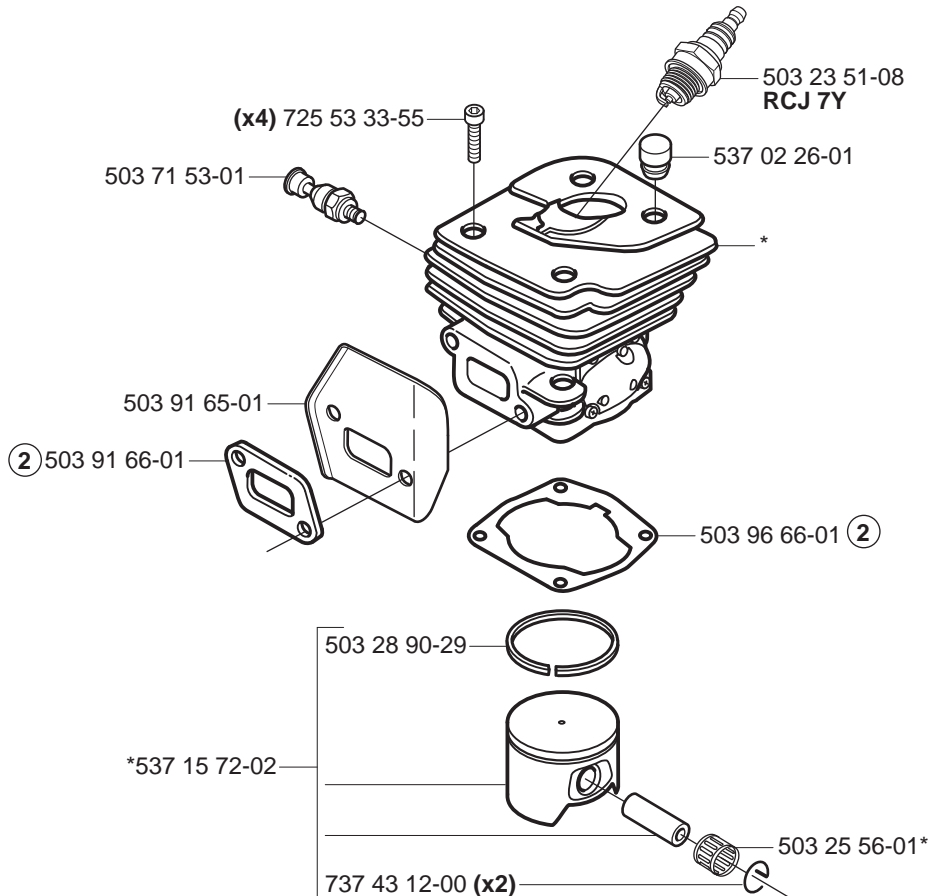
D

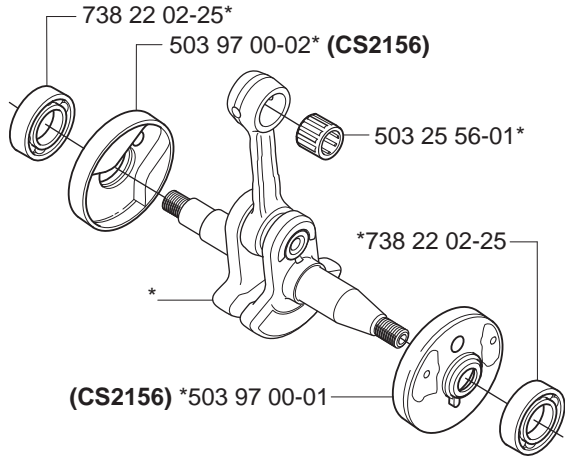
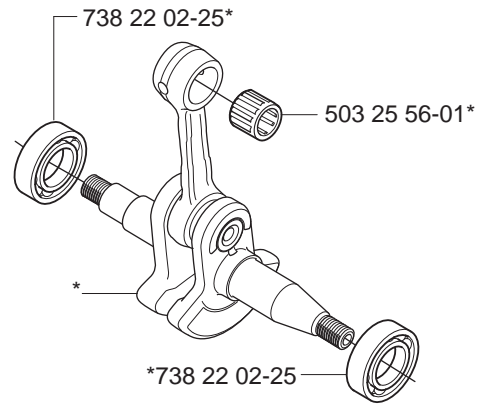
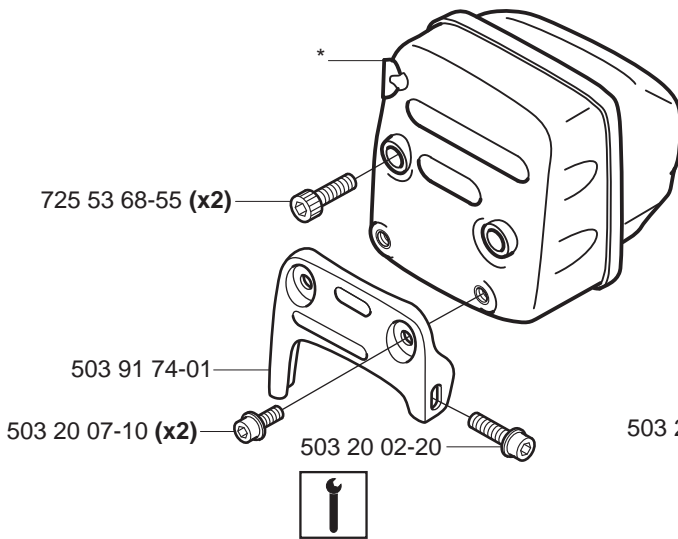
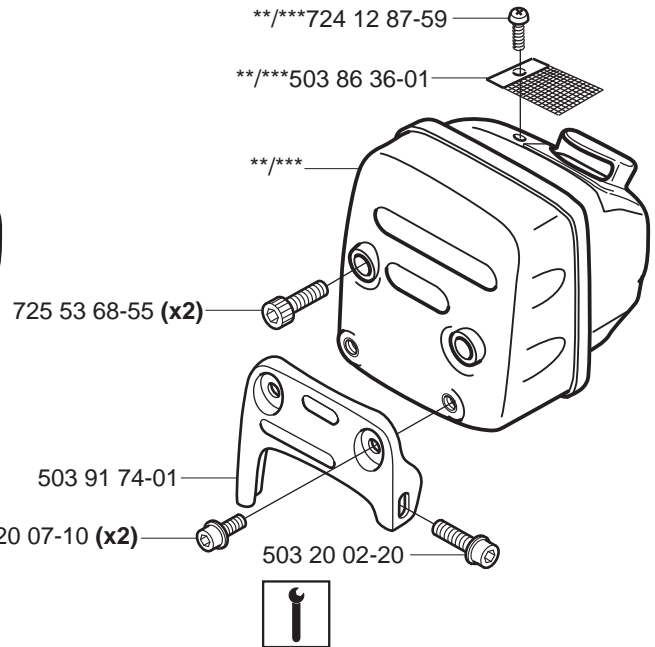
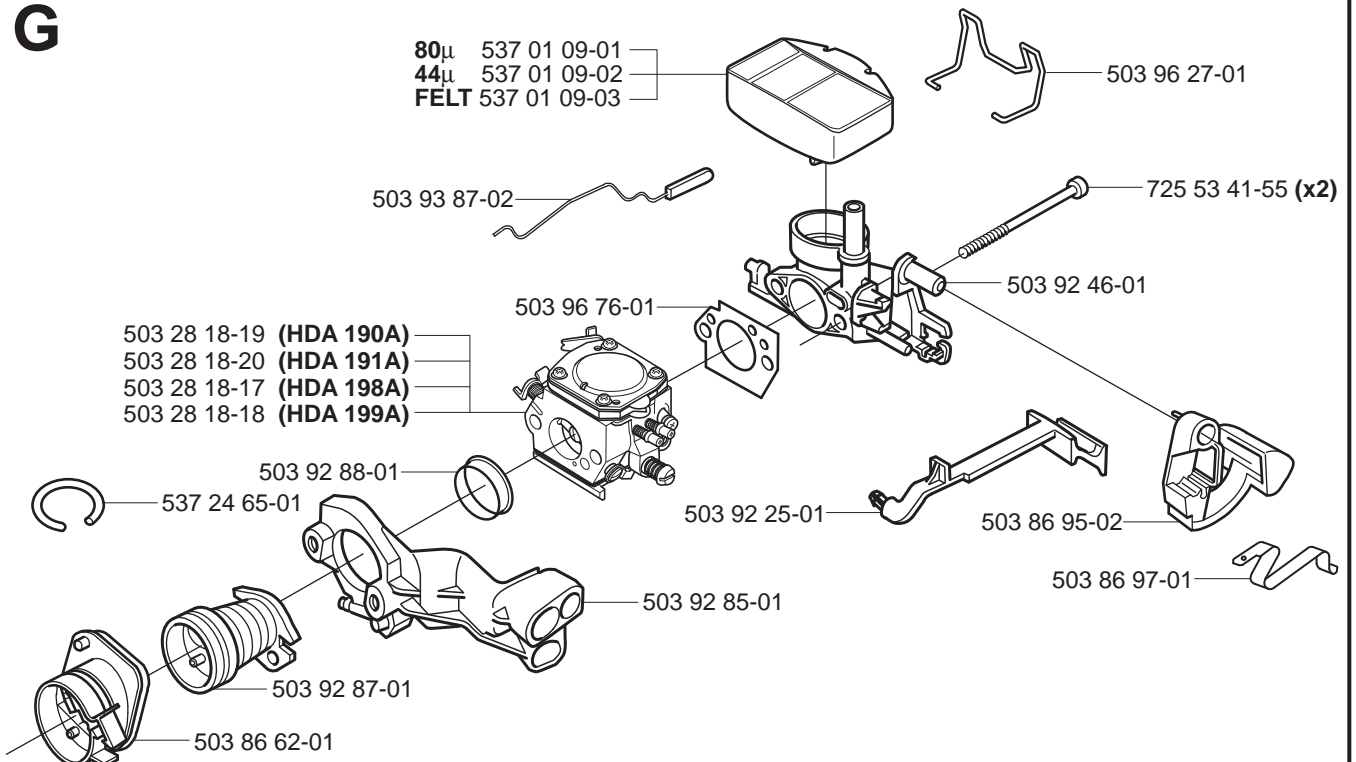
***compl 537 24 85-02 (CS2156)**

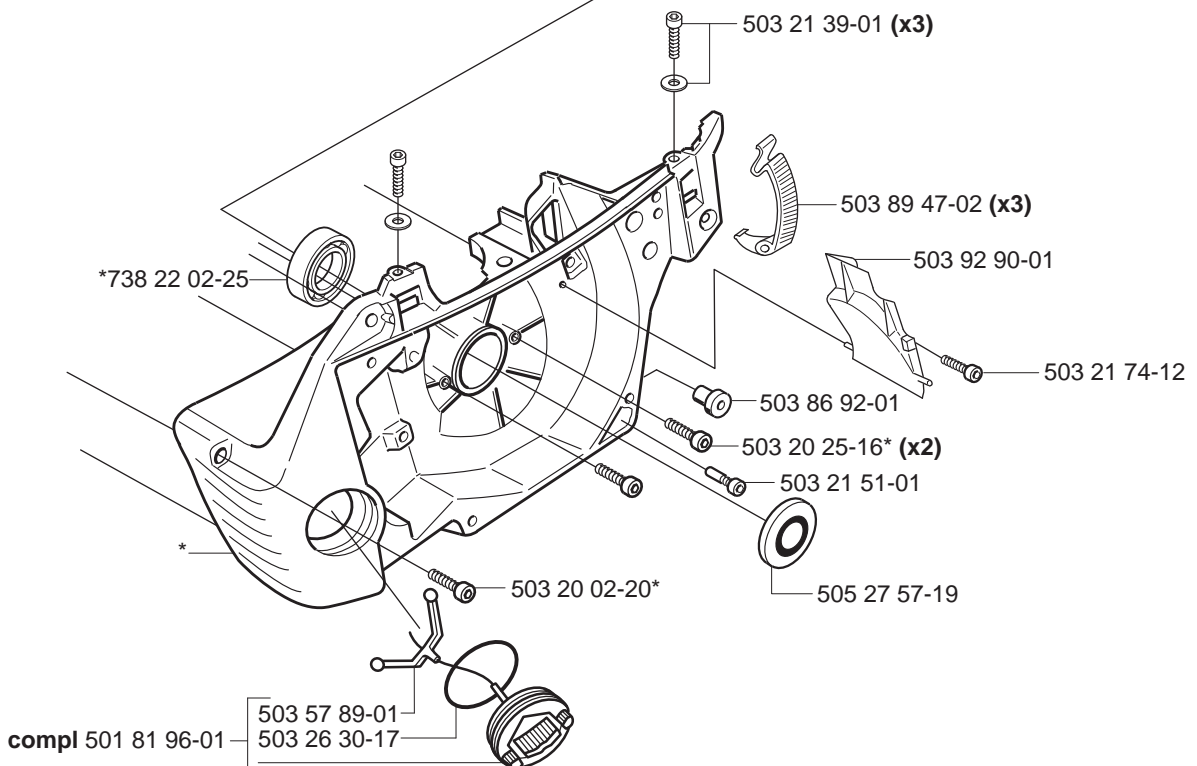
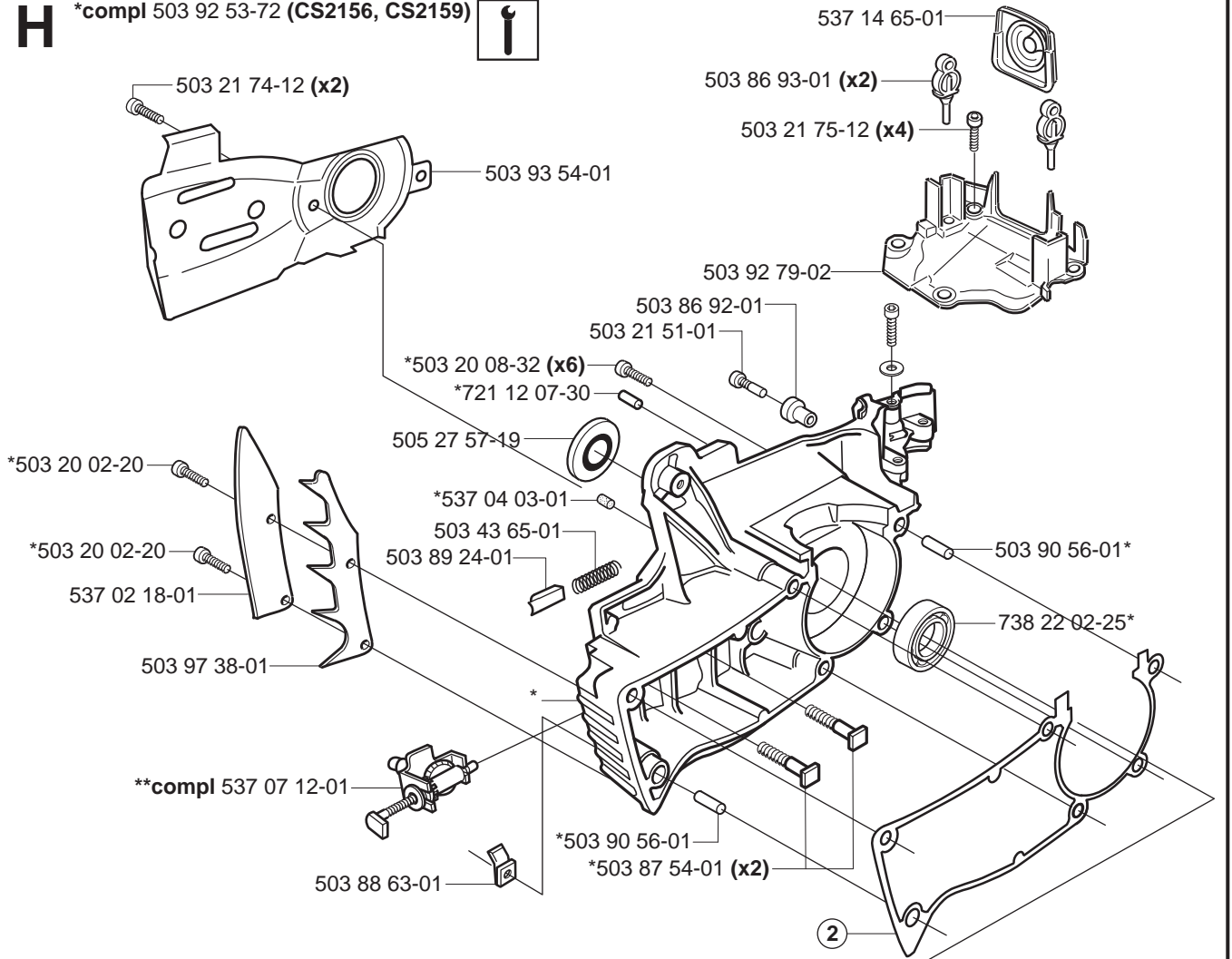


D

***compl 537 15 73-02 (CS2159)**

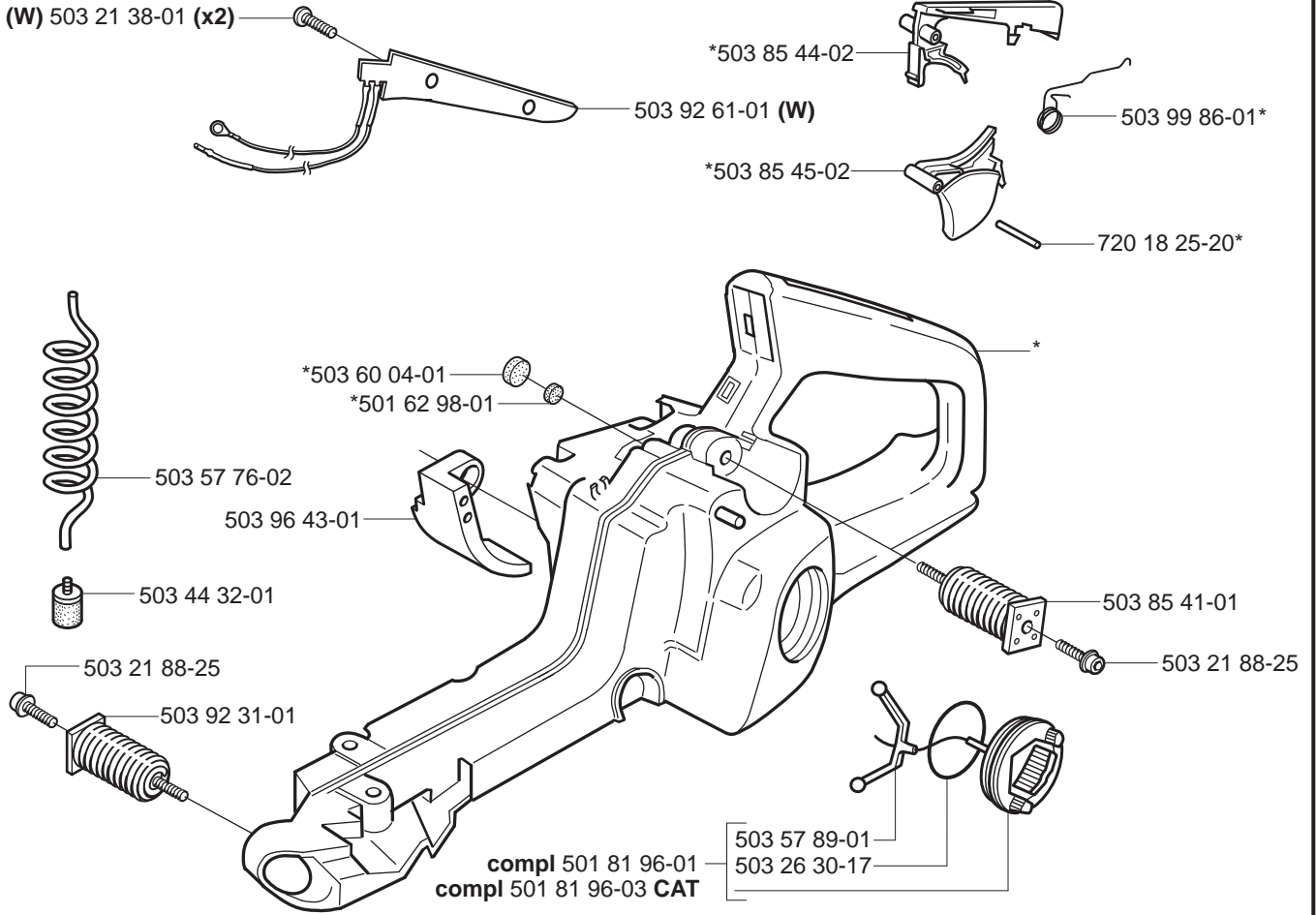


E***compl 537 21 92-01 (CS2156)****E*****compl 537 15 68-01 (CS2159)****F*****compl 503 91 76-01 (EU CS2156, CS2159)******compl 503 91 75-01 (FF CS2159)*******compl 537 10 22-01 (CAT CS2156, CS2159)******/**724 12 87-59******/**503 86 36-01******/******G****80µ 537 01 09-01****44µ 537 01 09-02****FELT 537 01 09-03**

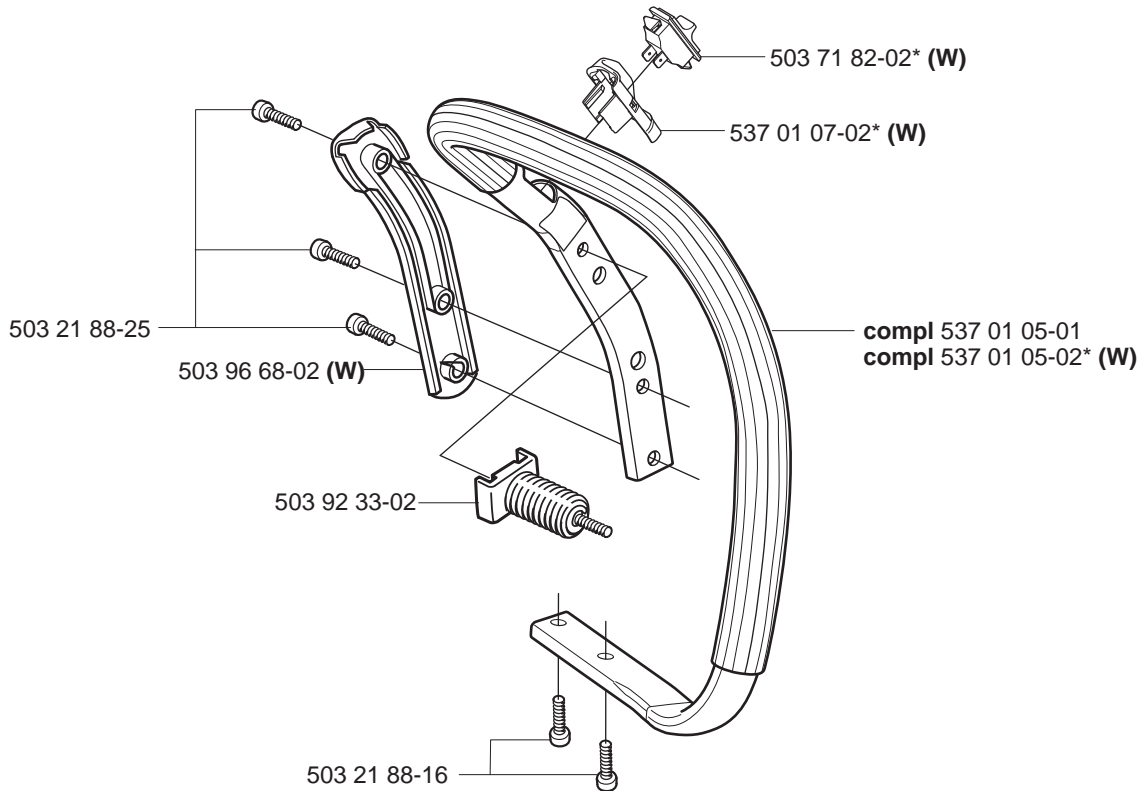
H***compl 503 92 53-72 (CS2156, CS2159)**

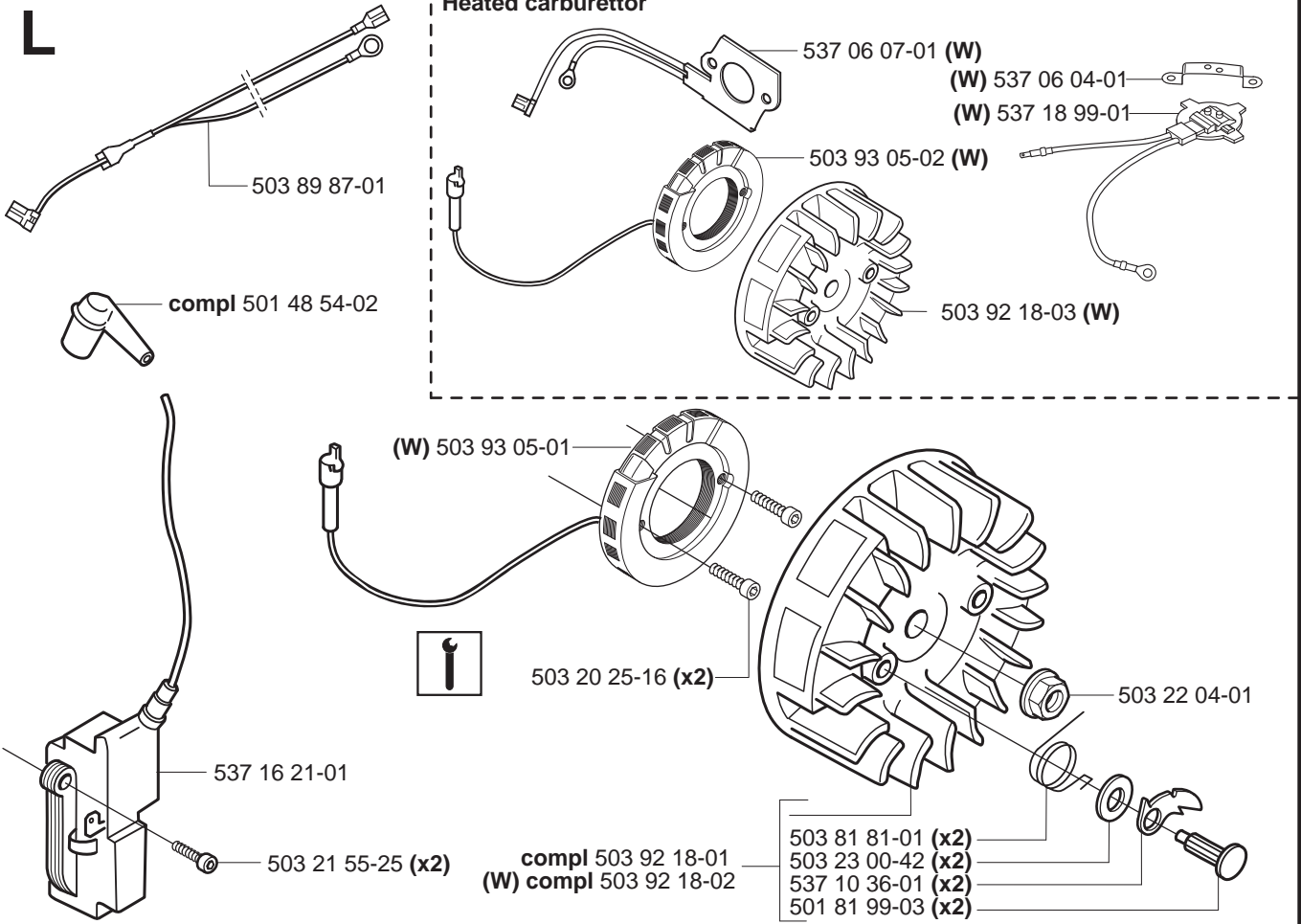
J

*compl 503 92 30-72

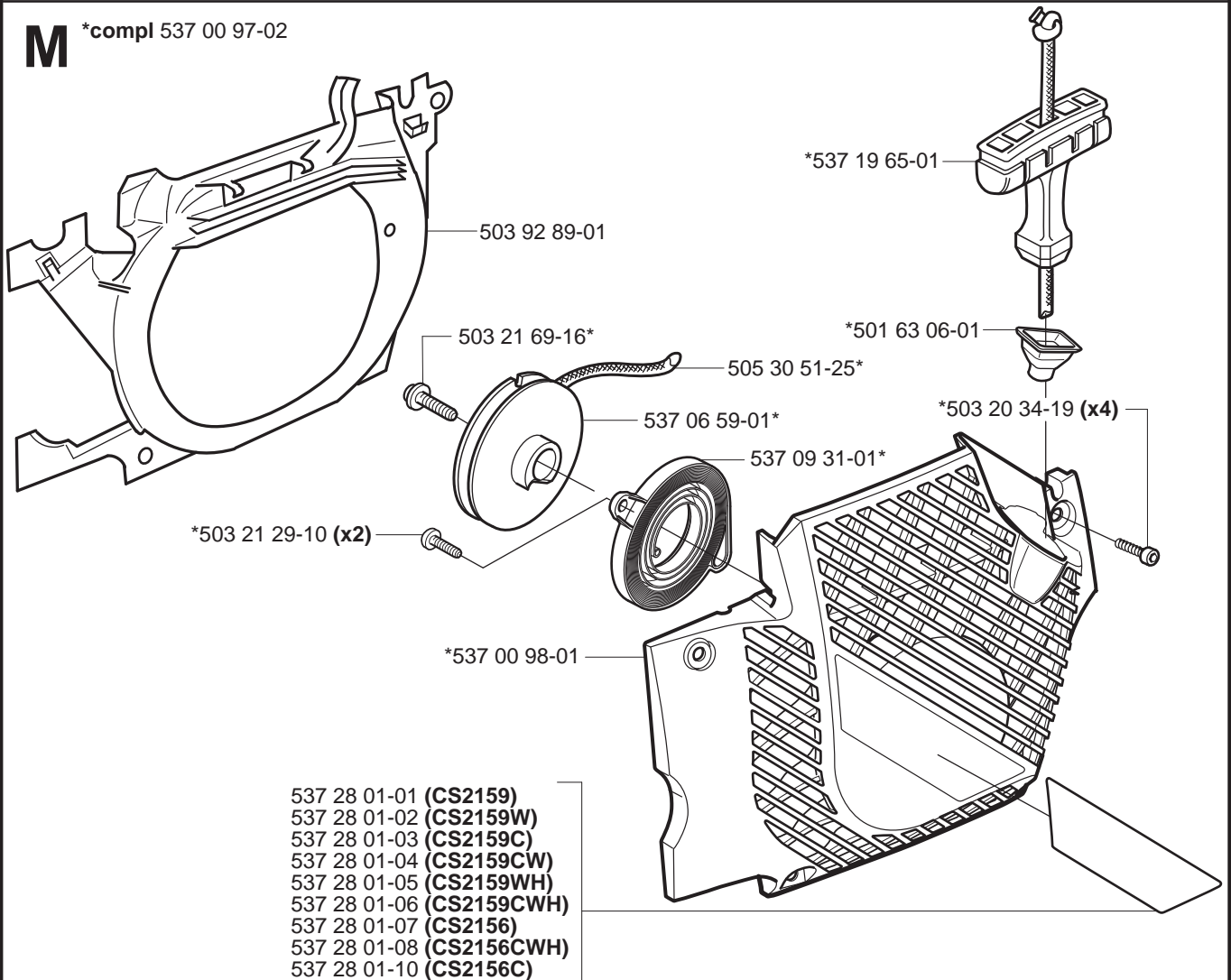


K



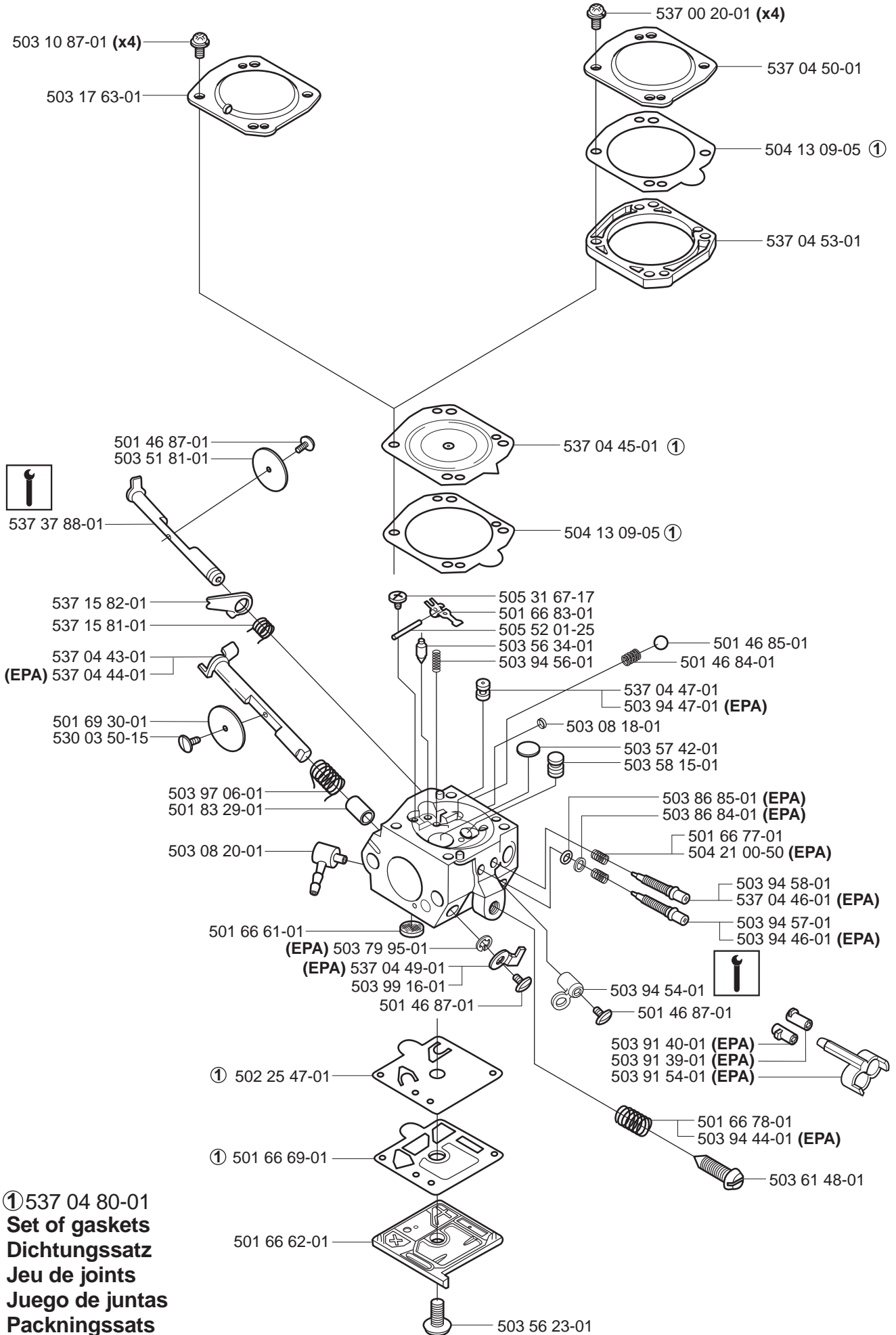
L**Heated carburettor****M**

*compl 537 00 97-02



N compl 503 28 18-19 Walbro HDA 190A Heated
 compl 503 28 18-20 Walbro HDA 191A Heated (EPA)

compl 503 28 18-17 Walbro HDA 198A
 compl 503 28 18-18 Walbro HDA 199A (EPA)



P

Accessories

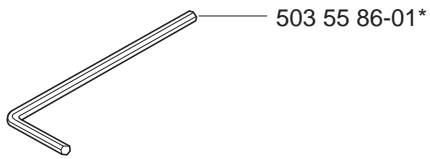
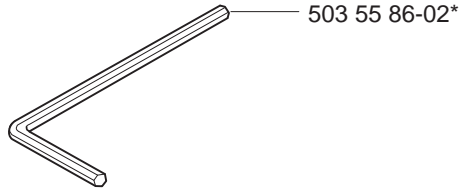
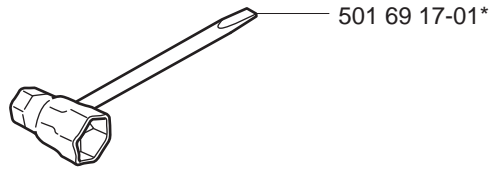
Zubehöre

Accessories

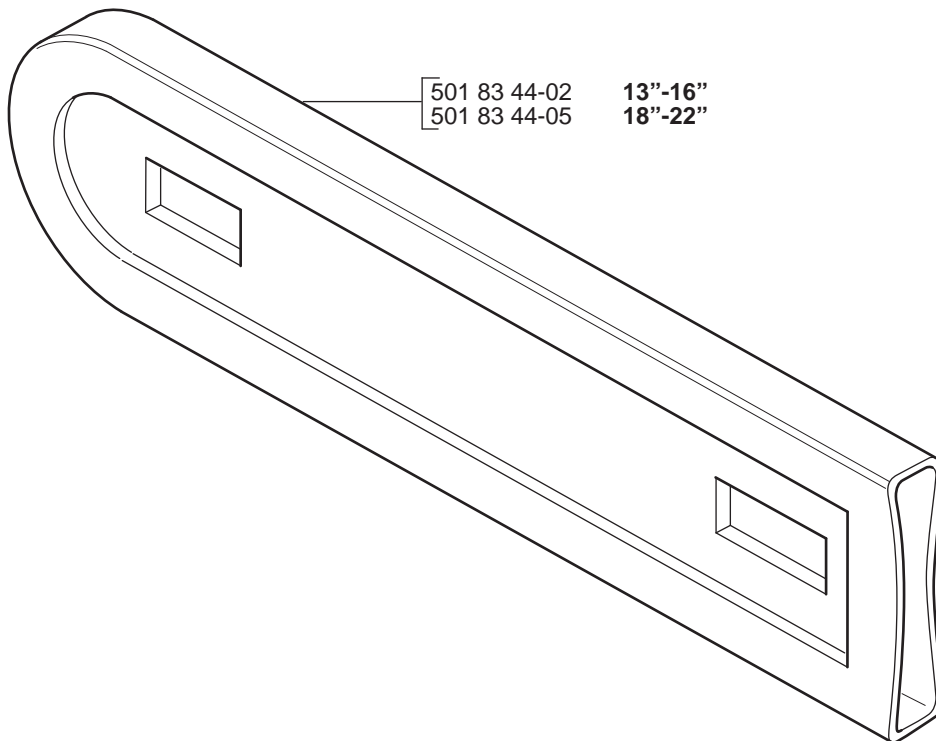
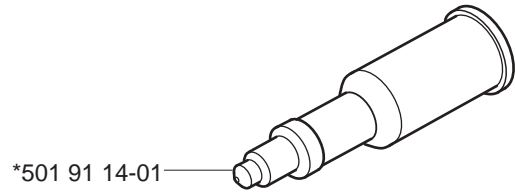
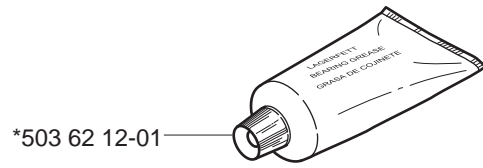
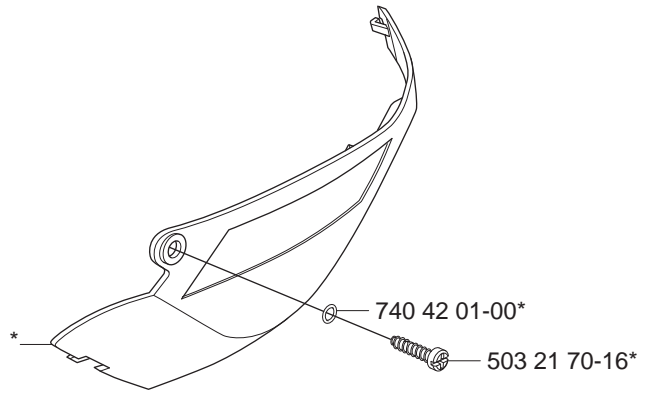
Accesorios

Tillbehör

*compl 503 55 85-01



*compl 537 17 16-01 WINTER KIT

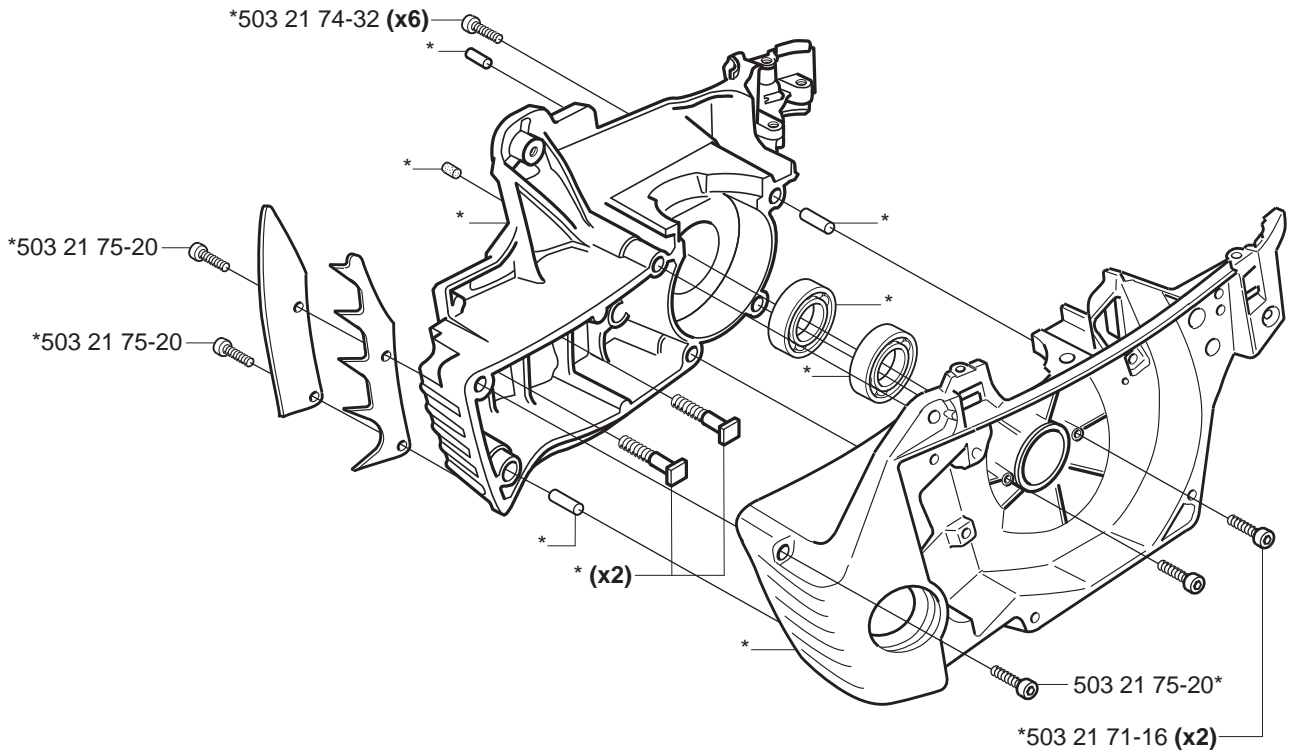


Q



Up to 030600511 (CS2159)

*compl 503 92 53-72 (CS2159)



Q



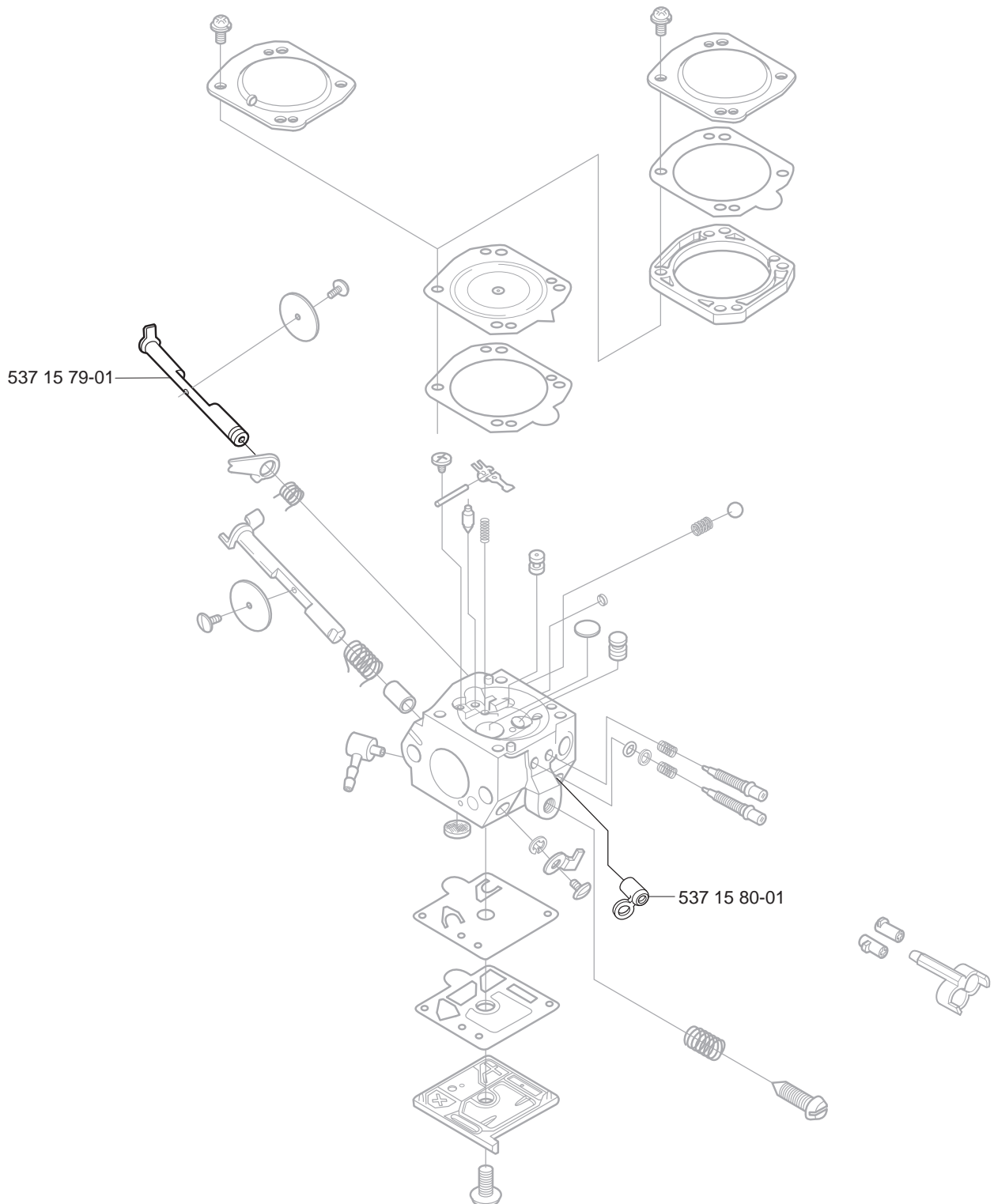
HDA 191 EPA, HDA 199 EPA:
Up to 041000001 (CS2156)
Up to 041000001 (CS2159)

HDA 198:
Up to 041800001 (CS2156)
Up to 041800001 (CS2159)

HDA 190:
Up to 043500001 (CS2156)
Up to 043500001 (CS2159)

compl 503 28 18-09 Walbro HDA 190 Heated
compl 503 28 18-10 Walbro HDA 191 Heated (EPA)

compl 503 28 18-15 Walbro HDA 198
compl 503 28 18-16 Walbro HDA 199 (EPA)



PART NUMBER	SQUARE NOTE	PART NUMBER	SQUARE NOTE	PART NUMBER	SQUARE NOTE	PART NUMBER	SQUARE NOTE
501 45 74-02	B	503 55 86-01	P	503 94 44-01	N EPA	537 10 79-01	A
501 46 84-01	N	503 55 86-02	P	503 94 46-01	N EPA	537 10 80-01	A
501 46 85-01	N	503 56 23-01	N	503 94 47-01	N EPA	537 11 32-03	D
501 46 87-01	N	503 56 34-01	N	503 94 54-01	N	537 12 68-03	D
501 48 54-02	L	503 57 42-01	N	503 94 56-01	N	537 14 65-01	H
501 59 80-02	B	503 57 76-02	J	503 94 57-01	N	537 15 27-01	A,C
501 62 98-01	J	503 57 89-01	H,J	503 94 58-01	N	537 15 68-01	E
501 63 06-01	M	503 58 15-01	N	503 96 27-01	G	537 15 72-02	D
501 66 61-01	N	503 60 04-01	J	503 96 43-01	J	537 15 73-02	D
501 66 62-01	N	503 61 48-01	N	503 96 66-01	D 2	537 15 79-01	Q
501 66 69-01	N 1	503 62 12-01	P	503 96 68-02	K	537 15 80-01	Q
501 66 77-01	N	503 71 53-01	D	503 96 75-01	B	537 15 81-01	N
501 66 78-01	N	503 71 82-02	K	503 96 76-01	G	537 15 82-01	N
501 66 83-01	N	503 79 95-01	N EPA	503 97 00-01	E	537 16 21-01	L
501 69 17-01	P	503 81 81-01	L	503 97 00-02	E	537 16 69-01	B
501 69 30-01	N	503 85 41-01	J	503 97 06-01	N	537 17 16-01	P
501 81 96-01	H,J	503 85 44-02	J	503 97 38-01	H	537 18 00-01	D
501 81 96-03	J	503 85 45-02	J	503 97 85-01	2=Compl	537 18 99-01	L
501 81 99-03	L	503 85 52-01	A	503 98 00-71	B	537 19 65-01	M N
501 83 29-01	N	503 85 66-01	A	503 98 74-01	A	537 21 92-01	E
501 83 44-02	P	503 86 36-01	F	503 99 16-01	N	537 21 96-02	D
501 83 44-05	P	503 86 62-01	G	503 99 86-01	J	537 22 29-01	D
501 91 14-01	P	503 86 84-01	N EPA	504 13 09-05	N 1	537 24 45-01	D
502 25 47-01	N 1	503 86 85-01	N EPA	504 21 00-50	N EPA	537 24 65-01	D
503 08 18-01	N	503 86 92-01	H	505 27 57-19	H	537 24 85-02	G
503 08 20-01	N	503 86 93-01	H	505 30 51-25	M	537 28 01-01	M
503 10 87-01	N	503 86 95-02	G	505 31 67-17	N	537 28 01-02	M
503 17 63-01	N	503 86 97-01	G	505 52 01-25	N	537 28 01-03	M
503 20 02-20	F,H N	503 87 54-01	H	530 03 50-15	N	537 28 01-04	M N
503 20 07-10	F	503 88 63-01	H	537 00 20-01	N	537 28 01-05	M
503 20 08-32	H	503 89 08-02	A	537 00 63-02	A N	537 28 01-06	M
503 20 25-16	H,L	503 89 15-01	B	537 00 97-02	M N	537 28 01-07	M
503 20 34-19	M	503 89 16-01	B	537 00 98-01	M	537 28 01-08	M
503 21 29-10	M	503 89 24-01	H	537 01 01-02	C	537 28 01-10	M
503 21 38-01	J	503 89 29-01	A	537 01 05-01	K	537 32 09-01	D
503 21 39-01	H	503 89 30-02	A	537 01 05-02	K	537 37 88-01	N
503 21 51-01	H	503 89 47-02	H	537 01 07-02	K	720 18 25-20	J
503 21 55-25	L N	503 89 87-01	L	537 01 09-01	G	721 11 64-30	B
503 21 69-16	M	503 90 56-01	H	537 01 09-02	G	721 12 07-30	H
503 21 70-10	A	503 91 27-02	B	537 01 09-03	G	724 12 87-59	F
503 21 70-16	P	503 91 29-02	B	537 02 18-01	H	725 53 33-55	D
503 21 71-16	Q	503 91 39-01	N EPA	537 02 26-01	D	725 53 41-55	G N
503 21 74-12	B,H	503 91 40-01	N EPA	537 02 71-01	B	725 53 68-55	F
503 21 74-32	Q	503 91 54-01	N EPA	537 02 99-01	A	735 31 08-20	A
503 21 75-12	H	503 91 65-01	D	537 04 03-01	H	737 43 12-00	D
503 21 75-20	Q	503 91 66-01	D 2	537 04 30-01	A	738 22 02-25	E,H
503 21 88-16	K	503 91 74-01	F	537 04 43-01	N	740 42 01-00	P
503 21 88-25	J,K	503 91 75-01	F N	537 04 44-01	N EPA		
503 22 00-01	A	503 91 76-01	F	537 04 45-01	N 1		
503 22 04-01	L	503 92 18-01	L	537 04 46-01	N EPA		
503 23 00-42	L	503 92 18-02	L	537 04 47-01	N		
503 23 00-60	B	503 92 18-03	L	537 04 49-01	N EPA		
503 23 00-71	A N	503 92 25-01	G	537 04 50-01	N		
503 23 51-08	D	503 92 30-72	J	537 04 53-01	N		
503 25 52-01	B	503 92 31-01	J	537 04 80-01	N 1=Compl		
503 25 56-01	D,E	503 92 33-02	K	537 06 04-01	L		
503 26 30-17	H,J	503 92 46-01	G	537 06 07-01	L		
503 28 18-17	G,N N	503 92 53-72	H,Q	537 06 59-01	M		
503 28 18-18	G,N N,EPA	503 92 61-01	J	537 06 93-01	B		
503 28 18-19	G,N N	503 92 79-02	H	537 07 12-01	H		
503 28 18-20	G,N N,EPA	503 92 85-01	G	537 08 90-01	A		
503 28 90-14	D	503 92 87-01	G	537 09 18-01	B		
503 28 90-29	D	503 92 88-01	G	537 09 31-01	M		
503 40 59-01	C	503 92 89-01	M	537 09 61-01	D		
503 43 65-01	H	503 92 90-01	H	537 10 11-01	B		
503 44 32-01	J	503 93 05-01	L	537 10 22-01	F		
503 46 59-01	A	503 93 05-02	L	537 10 34-01	B		
503 51 81-01	N	503 93 48-71	B	537 10 36-01	L		
503 55 22-01	D	503 93 54-01	H	537 10 48-01	A		
503 55 85-01	P	503 93 87-02	G	537 10 55-02	B		

1 = 537 04 80-01
2 = 503 97 85-01

Set of gaskets
Dichtungssatz
Jeu de joints
Juego de juntas
Packningssats

N = New part
Neues teil
Nouvelle piece
Nueva pieza
Ny detalj