

LT2117 A

Spare parts

Ersatzteile

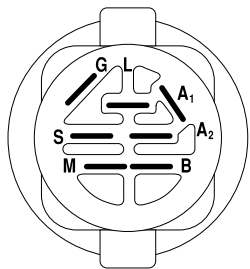
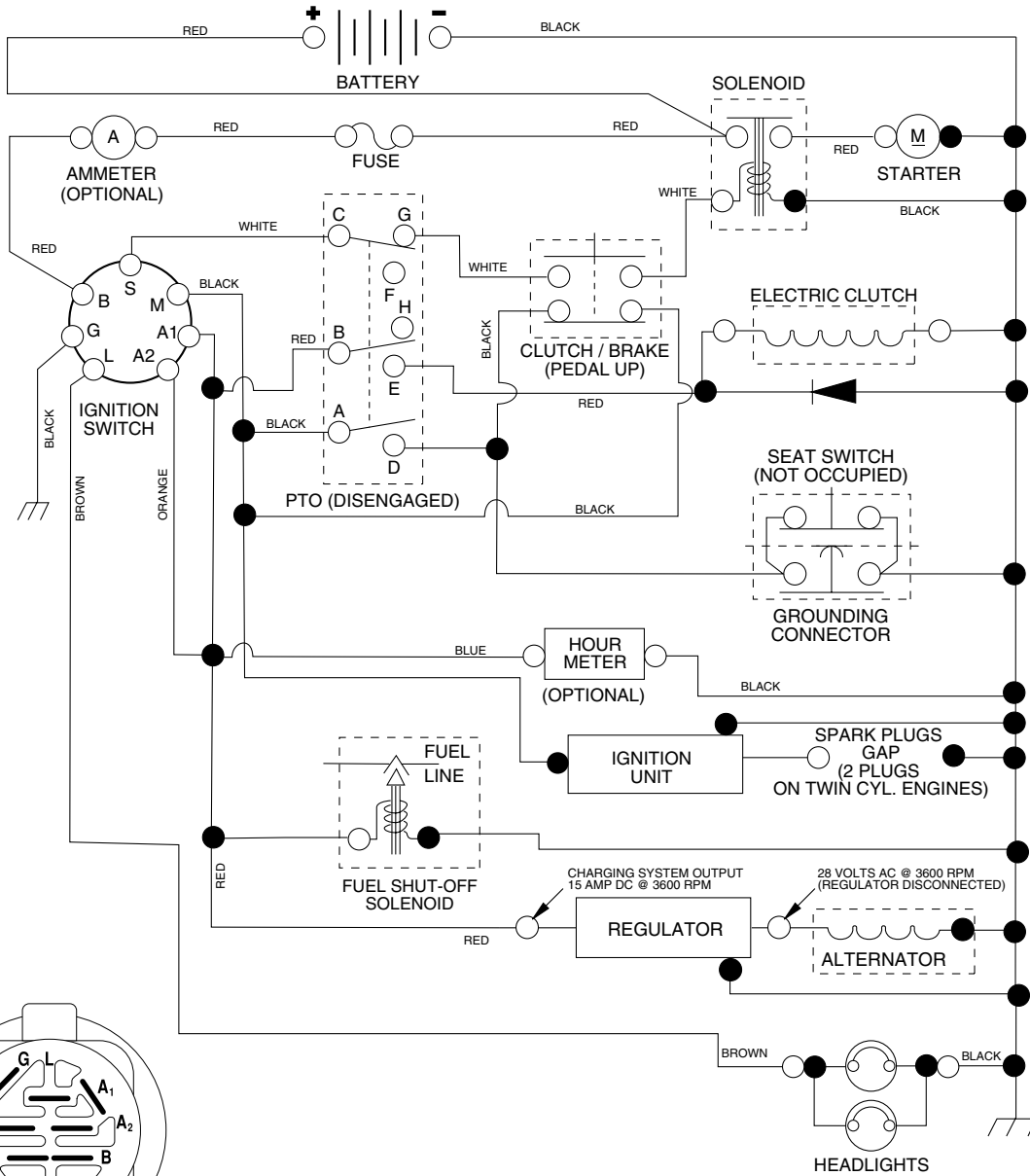
Pièces détachées

Reserve onderdelen

Repuestos

Reservdelar

TRACTOR - MODEL NO. LT2117A (J2117AC), PRODUCT NO. 954 13 02-12 SCHEMATIC



IGNITION SWITCH

| POSITION | CIRCUIT | "MAKE" |
|-------------|------------|--------|
| OFF | M + G + A1 | NONE |
| ON + LIGHTS | B + A1 | L + A2 |
| ON | B + A1 | NONE |
| START | B + S + A1 | NONE |

WIRING INSULATED CLIPS
NOTE: IF WIRING INSULATED CLIPS WERE REMOVED FOR SERVICING OF UNIT, THEY SHOULD BE REPLACED TO PROPERLY SECURE YOUR WIRING.

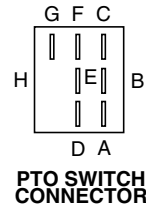
02742

PTO SWITCH

| POSITION | CIRCUIT |
|----------|---------------------|
| OFF | C + G, B + H |
| ON | C + F, B + E, A + D |

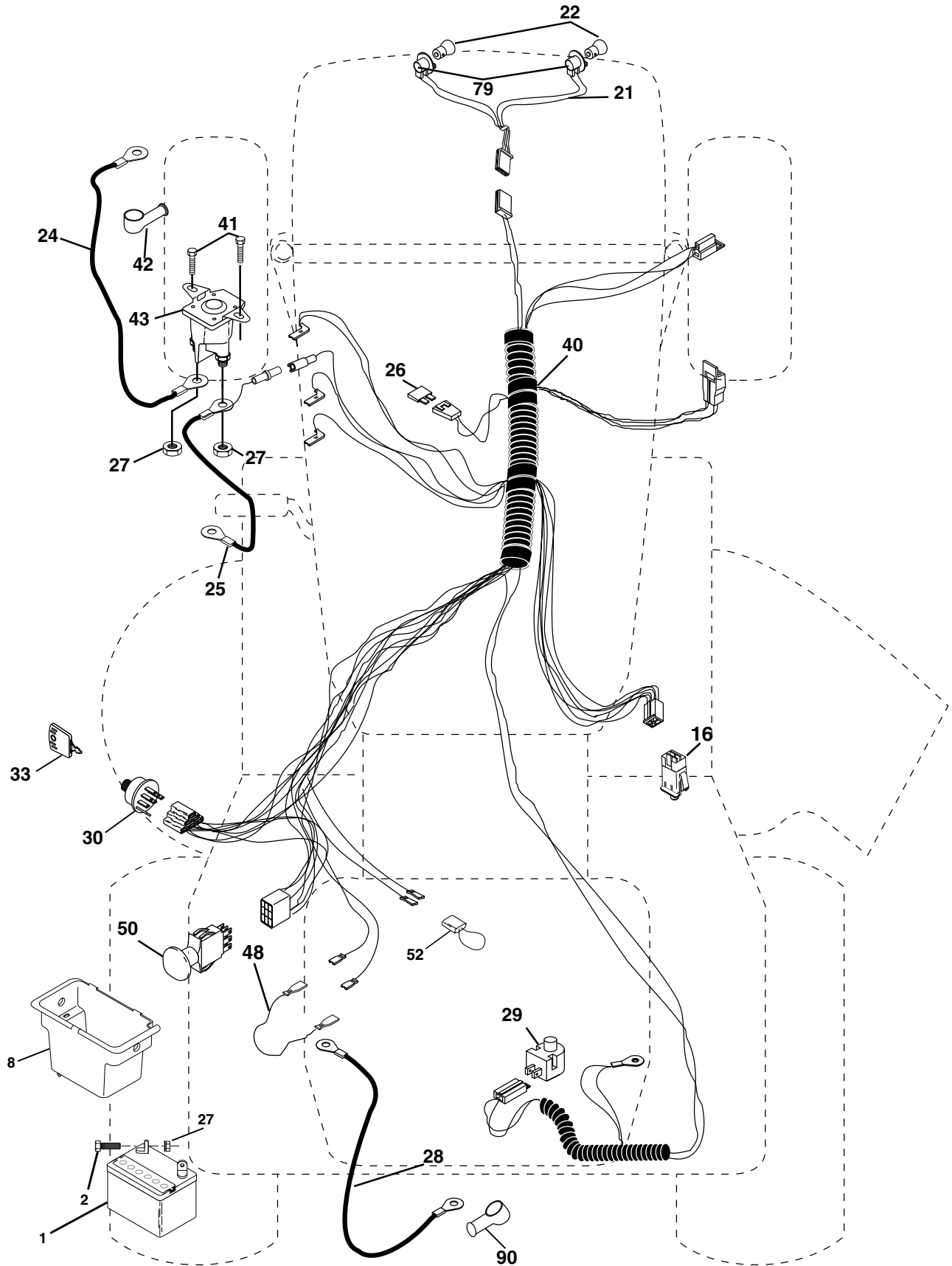
○
REMOVABLE CONNECTIONS

●
NON-REMOVABLE CONNECTIONS



REPAIR PARTS

TRACTOR - MODEL NO. LT2117A (J2117AC), PRODUCT NO. 954 13 02-12
ELECTRICAL



REPAIR PARTS

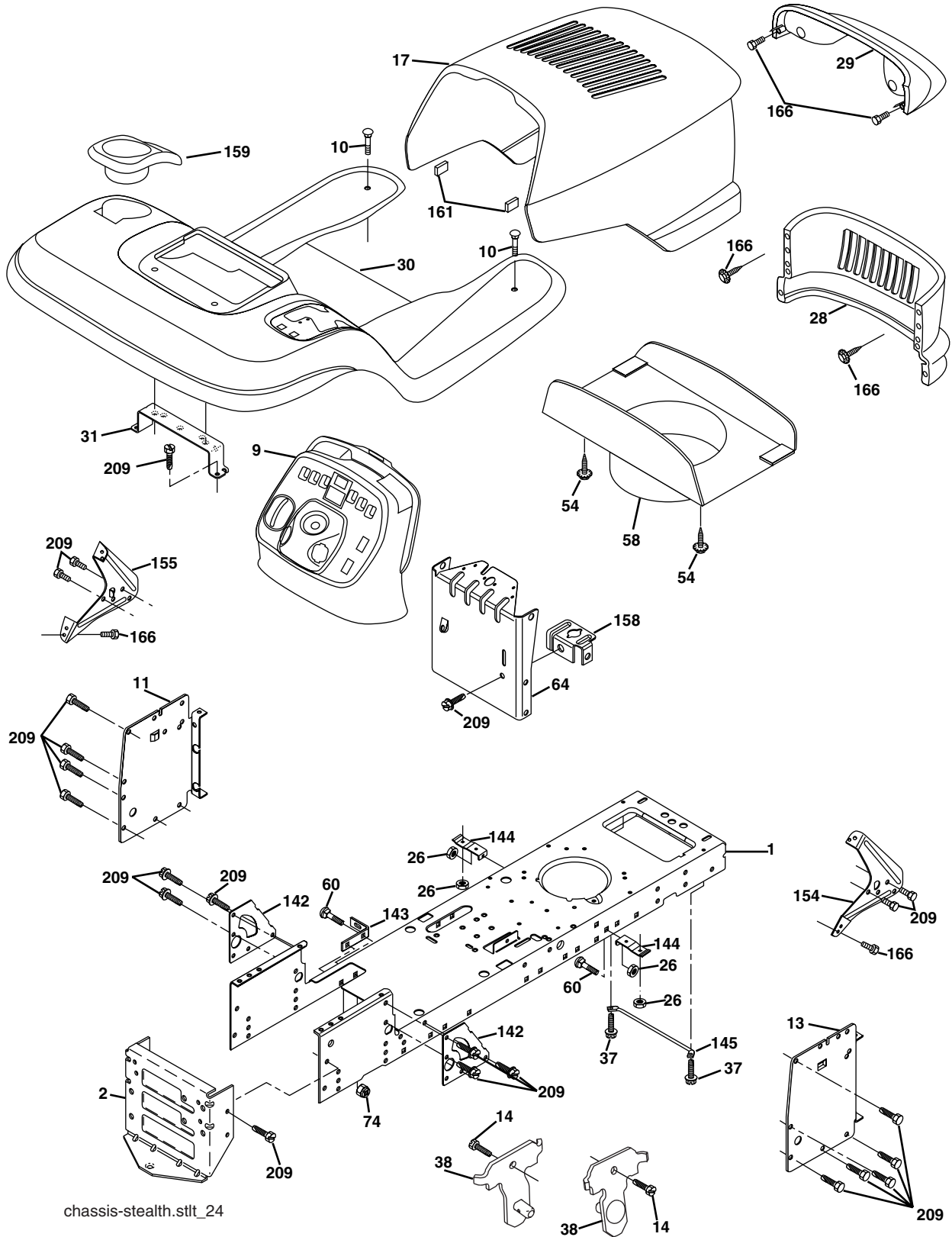
TRACTOR - MODEL NO. LT2117A (J2117AC), PRODUCT NO. 954 13 02-12
ELECTRICAL

| KEY NO. | PART NO. | DESCRIPTION |
|---------|---------------------|---------------------------------------|
| 1 | 532 14 49-27 | Battery |
| 2 | 874 76 04-12 | Bolt Hex Hd 1/4-20 unc x 3/4 |
| 8 | 532 17 66-89 | Box Battery |
| 16 | 532 17 61-38 | Switch Interlock Push-In |
| 21 | 532 17 56-88 | Harness Asm Light W/4152J |
| 22 | 532 00 41-52 | Bulb Light #1156 |
| 24 | 532 12 47-80 | Cable Battery 6 Ga. 11"red |
| 25 | 532 14 61-47 | Cable Battery 6 Ga. W/16 Ga. Wire 44" |
| 26 | 532 17 51-58 | Fuse 20 AMP |
| 27 | 873 51 04-00 | Nut Keps Hex 1/4-20 unc |
| 28 | 532 12 47-73 | Cable Ground |
| 29 | 532 12 13-05 | Switch Plunger Normal Op Gray |
| 30 | 532 17 55-66 | Switch Ignition Delta Push-In |
| 33 | 532 14 04-01 | Key Ign Molded Generic Delta |
| 40 | 532 18 80-31 | Harness Ign. |
| 41 | 817 72 04-08 | Screw Thd Cut 1/4-20 x 1/2 |
| 42 | 532 13 15-63 | Cover Terminal Red |
| 43 | 532 17 88-61 | Solenoid |
| 48 | 532 14 08-44 | Adapter Ammeter |
| 50 | 532 17 46-51 | Switch PTO |
| 52 | 532 14 19-40 | Protection Wire Loop Hour Meter |
| 79 | 532 17 52-42 | Bulb Holder Asm |
| 81 | 532 10 97-48 | Relay Asm |
| 90 | 532 18 04-49 | Cover Terminal |

NOTE: All component dimensions given in U.S. inches
1 inch = 25.4 mm.

REPAIR PARTS

TRACTOR - MODEL NO. LT2117A (J2117AC), PRODUCT NO. 954 13 02-12
CHASSIS AND ENCLOSURES



chassis-stealth.stlt_24

REPAIR PARTS

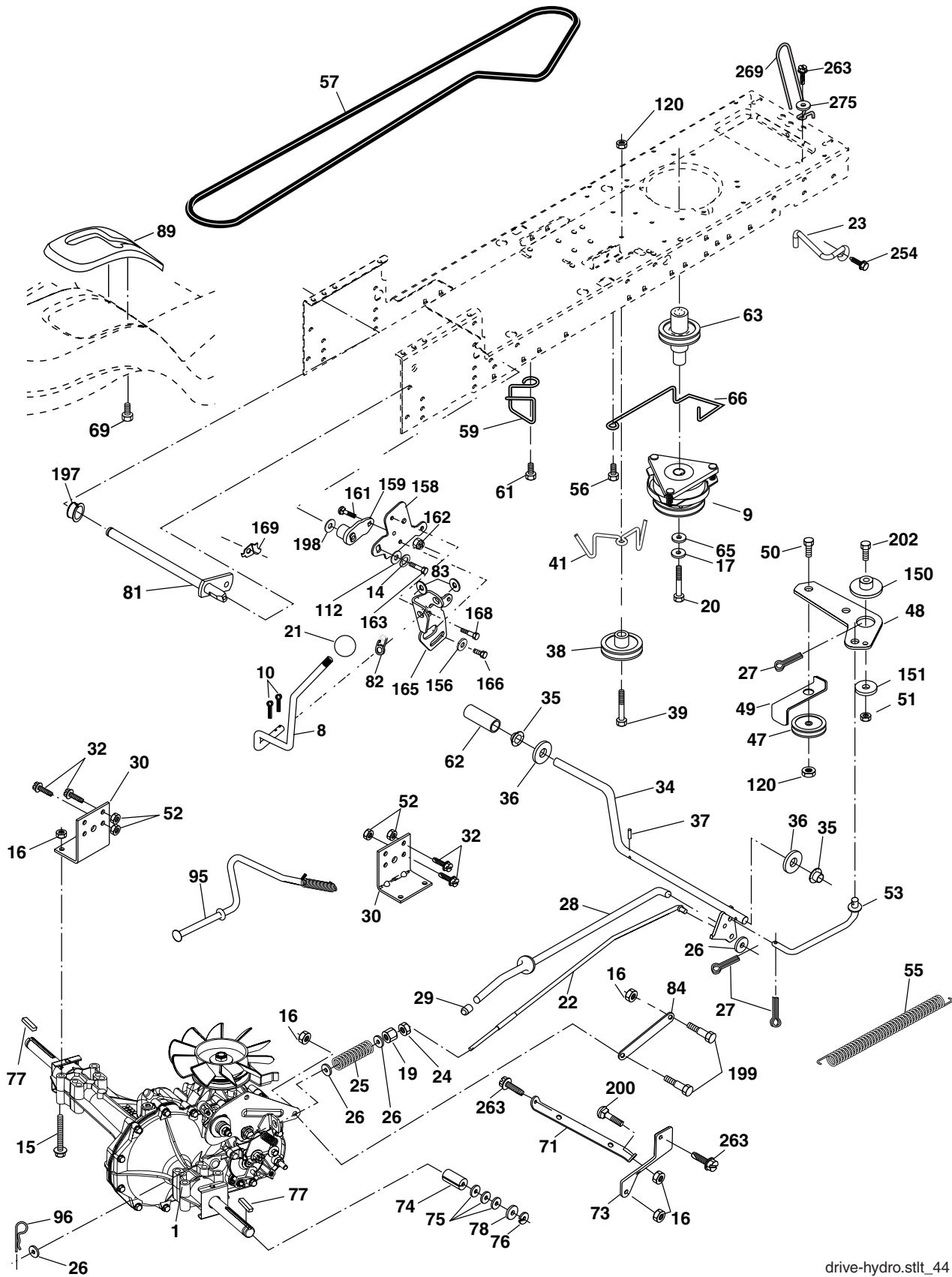
TRACTOR - MODEL NO. LT2117A (J2117AC), PRODUCT NO. 954 13 02-12 CHASSIS AND ENCLOSURES

| KEY NO. | PART NO. | DESCRIPTION |
|---------|---------------------|---------------------------------|
| 1 | 532 17 46-19 | Chassis Wldmt. |
| 2 | 532 17 65-54 | Drawbar 12 Ga |
| 9 | 532 17 71-50 | Dash |
| 10 | 872 14 06-08 | Bolt RdHd Sqnk. 3/8-16 x 1 |
| 11 | 532 16 72-03 | Panel Asm. Dash Lh |
| 13 | 532 17 82-98 | Panel Dash Rh |
| 14 | 817 49 06-08 | Screw Thdrol 3/8-16 x 1/2 |
| 17 | 532 18 13-51 | Hood Pnt |
| 26 | 873 80 06-00 | Nut Lock Hex w/Ins 3/8-16 Unc |
| 28 | 532 18 13-52 | Grill w/Clips |
| 29 | 532 17 97-61 | Lens Grille |
| 30 | 532 19 19-07 | Fender /Ftrest Pnt STL |
| 31 | 532 13 99-76 | Bracket Fender |
| 37 | 817 49 05-08 | Screw Thdrol 5/16-18 x 1/2 |
| 38 | 532 17 57-10 | Bracket Asm. Pvt. Mwr. Rear |
| 54 | 532 16 14-64 | Screw Hex Wshd 8-18 x 7/8 |
| 58 | 532 17 53-51 | Duct Air |
| 60 | 872 14 06-06 | Bolt Rdhd Sqnk 3/8-16 Unc x 3/4 |
| 64 | 532 17 49-97 | Dash Lower |
| 74 | 873 68 06-00 | Nut, Crownlock 3/8-16 Unc |
| 142 | 532 17 57-02 | Plate Reinforcement STLT |
| 143 | 532 18 66-89 | Bracket Sway Bar |
| 144 | 532 17 55-82 | Bracket Footrest STLT |
| 145 | 532 15 65-24 | Rod Pivot Chassis/Hood |
| 154 | 532 18 39-25 | Bracket Dash STL RH |
| 155 | 532 18 39-26 | Bracket Dash STL LH |
| 158 | 532 16 20-37 | Bracket Parking Brake |
| 159 | 532 18 13-55 | Cupholder |
| 161 | 532 16 46-55 | Extrusion Bumper |
| 166 | 532 19 16-11 | Screw 10 x 3/4 Single Lead Hex |
| 206 | 532 17 01-65 | Bolt Shoulder 5/16-18 |
| 209 | 817 00 06-12 | Screw Hexwsh Thdr 3/8-16 x 3/4 |

NOTE: All component dimensions given in U. S. inches
1 inch = 25.4 mm

REPAIR PARTS

TRACTOR - MODEL NO. LT2117A (J2117AC), PRODUCT NO. 954 13 02-12
DRIVE



drive-hydro.stlt_44

REPAIR PARTS

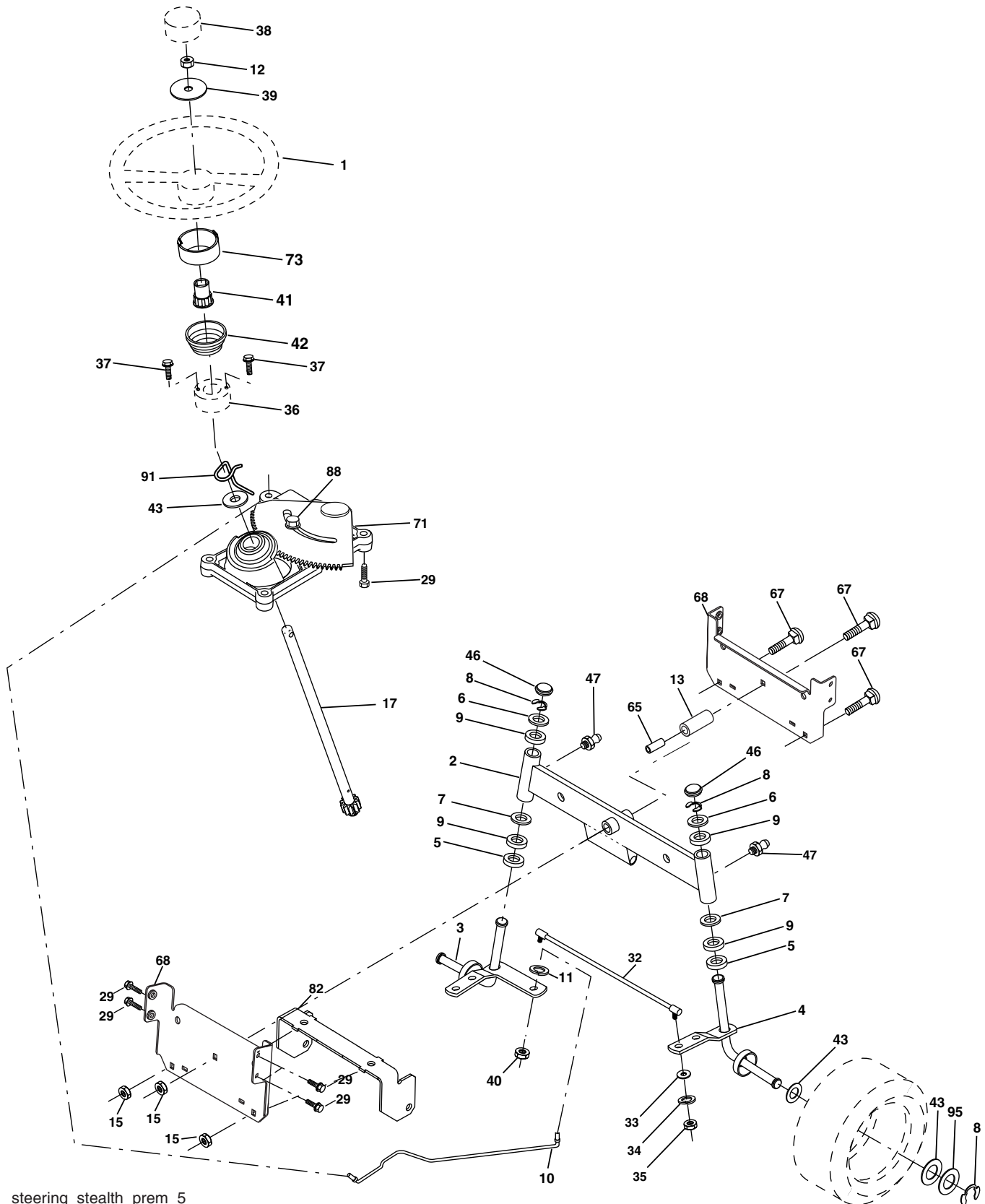
TRACTOR - MODEL NO. LT2117A (J2117AC), PRODUCT NO. 954 13 02-12
DRIVE

| KEY NO. | PART NO. | DESCRIPTION | KEY NO. | PART NO. | DESCRIPTION |
|---------|---------------------|--|---------|---------------------|---------------------------------------|
| 1 | ----- | Transaxle Hydro Gear 314-0510 Order parts from transaxle manufacturer | 65 | 810 04 07-00 | Washer |
| 8 | 532 16 58-66 | Rod Shift Fender | 66 | 532 15 47-78 | Keeper Belt Engine Hydro |
| 9 | 532 18 02-20 | Clutch Electric | 69 | 532 14 24-32 | Screw Hex Wsh Hi-Lo 1/4-1/2 unc |
| 10 | 876 02 04-16 | Pin Cotter 1/8 x 1 CAD | 71 | 532 16 91-83 | Strap Torque Lh Hydro |
| 14 | 810 04 04-00 | Washer Lock Hvy Helical | 73 | 532 16 91-82 | Strap Torque Rh Hydro |
| 15 | 874 49 05-44 | Bolt Hex Flghd. 5/16-18 Gr.5 | 74 | 532 13 70-57 | Spacer, Axle |
| 16 | 873 80 05-00 | Nut Lock Hex W/Ins. 5/16-18 Unc P | 75 | 532 12 17-49 | Washer 25/32 x 1-1/4 x 16 Ga. |
| 17 | 532 12 61-97 | Washer 1-1/2 OD x 15/32 ID x .250 | 76 | 812 00 00-01 | E-Ring |
| 19 | 873 80 06-00 | Nut Lock Hex W/Wsh 3/8-16 Unc | 77 | 532 12 35-83 | Key, Square |
| 20 | 532 17 39-37 | Bolt, Hex 7/16-20 x 4 x Gr. 5-1.5 | 78 | 532 12 17-48 | Washer 25/32 x 1-5/8 x 16 Ga. |
| 21 | 532 13 05-64 | Knob Deluxe | 81 | 532 16 55-96 | Shaft Asm Cross Tapered 510 20" |
| 22 | 532 16 94-98 | Rod, Brake Hydro | 82 | 532 16 57-11 | Spring Torsion T/A |
| 23 | 532 19 07-36 | Bracket Asm Anti Rot | 83 | 819 17 12-16 | Washer 17/32 x 3/4 x 16 Ga. |
| 24 | 873 35 06-00 | Locknut | 84 | 532 16 95-94 | Link Transaxle HB-0510 |
| 25 | 532 10 68-88 | Spring, Brake Rod | 89 | 532 19 18-82 | Console, Shift |
| 26 | 819 13 13-16 | Washer | 90 | 532 12 43-46 | Nut, Self Thd Wsh Hd 1/4 Zinc |
| 27 | 876 02 04-12 | Pin Cotter 1/8 x 3/4 CAD. | 95 | 532 17 02-01 | Control Asm. Bypass Hydro |
| 28 | 532 17 57-65 | Rod, Parking Brake | 96 | 532 12 47-88 | Retainer Spring 1" Zinc/Cad |
| 29 | 532 07 16-73 | Cap, Parking Brake | 120 | 873 90 06-00 | Nut Lock Flg 3/8-16 |
| 30 | 532 16 95-92 | Bracket, Transaxle | 150 | 532 17 54-56 | Spacer Retainer |
| 32 | 874 76 05-12 | Bolt Hex Hd 5/16-18 Unc x 3/4 | 151 | 819 13 32-10 | Washer 13/32 x 2 x 10 Ga. |
| 34 | 532 17 55-78 | Shaft, Foot Pedal | 156 | 532 16 60-02 | Washer Srrted 5/16ID x 1.125 |
| 35 | 532 12 01-83 | Bearing, Nylon | 158 | 532 16 55-89 | Bracket Shift Mount |
| 36 | 819 21 16-16 | Washer | 159 | 532 18 39-00 | Hub Shift |
| 37 | 532 12 49-63 | Pin, Roll | 161 | 872 14 04-06 | Bolt Rdhd Sqnk 1/4-20 x 3/4 Gr 5 |
| 38 | 532 17 91-14 | Pulley, Composite, Flat | 162 | 873 68 04-00 | Nut Crownlock 1/4-20 Unc |
| 39 | 872 11 06-22 | Bolt RDHD 3/8-16 Unc x Z-3/4 Gr.5 | 163 | 874 78 04-16 | Bolt Hex Fin 1/4-20 Unc x 1 Gr 5 |
| 41 | 532 17 55-56 | Keeper, Belt Idler Flat | 164 | 819 09 10-10 | Washer 5/8 x .281 x 10 Ga |
| 47 | 532 12 77-83 | Pulley, Idler, V-Groove | 165 | 532 16 56-23 | Bracket Pivot Lever |
| 48 | 532 15 44-07 | Bellcrank Grnd Clutch | 166 | 817 49 05-10 | Screw 5/16-18 x 5/8 |
| 49 | 532 12 32-05 | Retainer, Belt | 168 | 532 16 54-92 | Bolt Shoulxder 5/16-18 x .561 |
| 50 | 872 11 06-12 | Bolt Carr. Sh. 3/8-16 x 1-1/2 Gr. 5 | 169 | 532 16 55-80 | Plate Fasteneing Lt |
| 51 | 873 68 06-00 | Nut | 197 | 532 16 96-13 | Nylinder Snap-In |
| 52 | 873 68 05-00 | Nut Crown Lock 5/16-18 | 198 | 532 16 95-93 | Washer Nyl. 7/8 ID x .105" |
| 53 | 532 10 57-10 | Link, Clutch | 199 | 532 16 96-12 | Bolt Shoulder 5/16-18 |
| 55 | 532 10 57-09 | Spring, Return, Clutch | 200 | 872 14 05-08 | Bolt Rdhd Sqnk 5/16-18 x 1 |
| 56 | 817 06 06-20 | Screw 3/8-16 x 1-1/4 | 202 | 872 11 06-12 | Bolt Carr Sh 3/8-16 x 1-1/2 Gr. 5 |
| 57 | 532 14 02-94 | V-Belt, Ground Drive | 254 | 817 00 06-16 | Screw 3/8-16 x 1 |
| 59 | 532 16 96-91 | Keeper, Center Span | 263 | 817 00 06-12 | Screw Hex Wsh Thdr 3/8-16 x 3/4 BL |
| 61 | 817 12 06-14 | Screw 3/8-16 x .875 SMGML Tap/R.Z | 269 | 532 18 24-02 | Guard Muffler OHV B&S RH |
| 62 | 532 12 48-72 | Cover, Pedal | 275 | 819 13 16-14 | Washer 13/32 x 1 x 14 Ga. |
| 63 | 532 17 46-07 | Pulley, Engine | | | |

NOTE: All component dimensions given in U.S. inches
1 inch = 25.4 mm.

REPAIR PARTS

TRACTOR - MODEL NO. LT2117A (J2117AC), PRODUCT NO. 954 13 02-12 STEERING ASSEMBLY



steering_stealth_prem_5

REPAIR PARTS

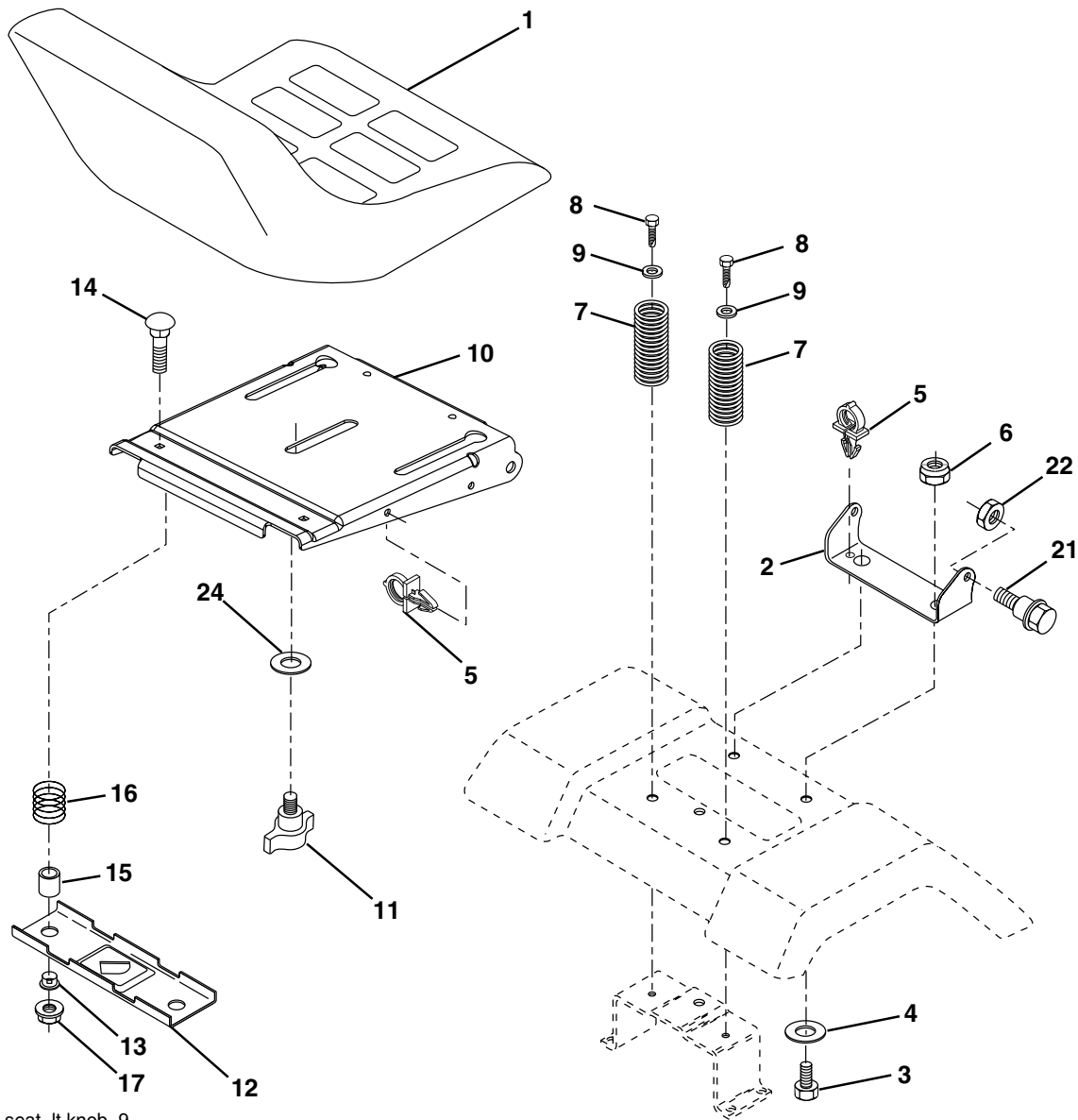
TRACTOR - MODEL NO. LT2117A (J2117AC), PRODUCT NO. 954 13 02-12
STEERING ASSEMBLY

| KEY NO. | PART NO. | DESCRIPTION |
|---------|--------------|----------------------------------|
| 1 | 532 17 20-92 | Wheel Steering |
| 2 | 532 17 51-31 | Axle Front |
| 3 | 532 16 98-40 | Spindle Asm LH |
| 4 | 532 16 98-39 | Spindle Asm Stmp RH |
| 5 | 532 12 49-31 | Bearing Race Thrust Harden |
| 6 | 532 12 17-48 | Washer 25/32 x 1-5/8 x 16 Ga |
| 7 | 819 27 20-16 | Washer 27/32 x 1-1/4 x 16 Ga. |
| 8 | 812 00 00-29 | Ring Klip #t5304-75 |
| 9 | 532 12 49-37 | Bearing Col. Strg. |
| 10 | 532 17 51-21 | Link Drag |
| 11 | 810 04 06-00 | Washer Lock Hvy Hlcl Spr 3/8 |
| 12 | 873 94 08-00 | Nut Hex Jam Top Lock 1/2-20 |
| 13 | 532 13 65-18 | Spacer Bearing Axle Front |
| 15 | 532 14 52-12 | Nut Hex Flange Lock |
| 17 | 532 17 78-83 | Shaft Asm Strg |
| 29 | 817 00 06-12 | Screw 3/8-16 x .75 |
| 32 | 532 17 18-88 | Rod Asm Tie Ball J Solid |
| 33 | 819 11 12-16 | Washer 11/32 x 3/4 x 16 Ga. |
| 34 | 810 04 05-00 | Washer Lock Hvy HLCL Spr. 5/16 |
| 35 | 873 54 05-00 | Nut Crown Lock 5/16-24 |
| 36 | 532 15 51-05 | Bushing Strg |
| 37 | 532 15 29-27 | Screw TT #32.5 x 5 x 3/8 Flange |
| 38 | 532 17 20-93 | Cap Wheel Steer |
| 39 | 819 18 24-11 | Washer 9/16 x 1-1/20 D.11G |
| 40 | 873 54 06-00 | Nut Crownlock 3/8-24 |
| 41 | 532 15 99-45 | Adaptor Wheel Strg |
| 42 | 532 17 71-49 | Boot Dash Steering |
| 43 | 532 12 17-49 | Washer 25/32 x 1-1/4 x 16 Ga |
| 46 | 532 12 12-32 | Cap Spindle Fr Top Blk |
| 47 | 532 18 32-26 | Fitting Grease |
| 65 | 532 16 03-67 | Spacer |
| 67 | 872 11 06-18 | Bolt Rdhd Sqnk 3/8-16 x 2-1/4 |
| 68 | 532 16 98-27 | Brace, Axle |
| 71 | 532 17 51-46 | Steering Asm |
| 73 | 532 18 14-49 | Extension Steering |
| 82 | 532 16 98-35 | Bracket Susp Chassis |
| 88 | 532 17 51-18 | Bolt Shoulder 7/16-20 |
| 91 | 532 17 55-53 | Clip Steering |
| 95 | 532 18 89-67 | Washer Harden .793 x 1.637 x 060 |

NOTE: All component dimensions given in U.S. inches
1 inch = 25.4 mm.

REPAIR PARTS

TRACTOR - MODEL NO. LT2117A (J2117AC), PRODUCT NO. 954 13 02-12 SEAT ASSEMBLY



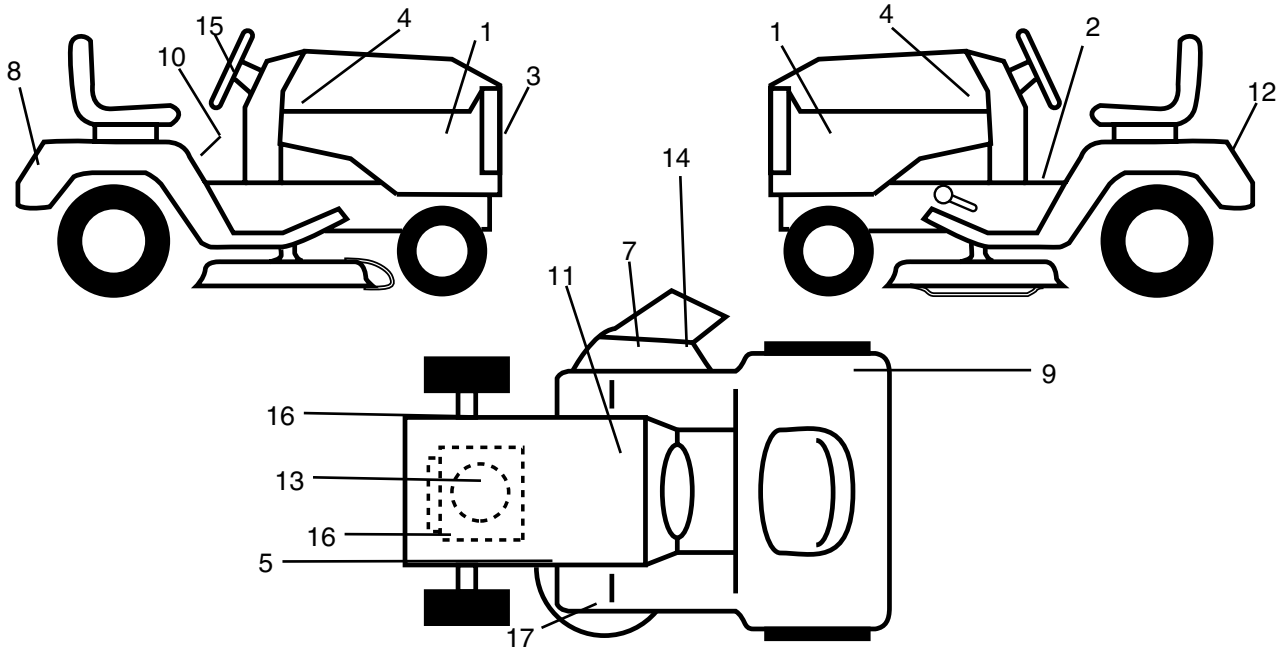
seat_lt.knob_9

| KEY NO. | PART NO. | DESCRIPTION | KEY NO. | PART NO. | DESCRIPTION |
|---------|--------------|--------------------------------|---------|--------------|---------------------------------|
| 1 | 532 18 87-06 | Seat | 12 | 532 12 12-46 | Bracket Mounting Switch |
| 2 | 532 18 01-66 | Bracket Pivot Seat | 13 | 532 12 12-48 | Bushing Snap Blk Nyl 50 Id |
| 3 | 871 11 06-16 | Bolt Hex 3/8-16unc x 1 | 14 | 872 05 04-12 | Bolt Rdhd Sht Nk 1/4-20 x 1-1/2 |
| 4 | 819 13 16-10 | Washer 13/32 x 1 x 10 Ga | 15 | 532 12 12-49 | Spacer Split 28x 88 Zinc |
| 5 | 532 14 50-06 | Clip Push-In Hinged | 16 | 532 12 37-40 | Spring Cprsn 1 310 Blk Pnt |
| 6 | 873 80 06-00 | Nut Lock Hex w/Ins. 3/8-16 Unc | 17 | 532 12 39-76 | Nut Lock 1/4 Lge Flg Gr 5 Zinc |
| 7 | 532 12 41-81 | Spring Seat Cprsn 2 250 Blk Zi | 21 | 532 17 18-52 | Bolt Shoulder 5/16-18 Unc-2A |
| 8 | 817 00 06-16 | Screw 3/8-16 x 1.5 SMGML | 22 | 873 80 05-00 | Nut Lock 5/16-18 |
| 9 | 819 13 16-14 | Washer 13/32 x 1 x 14 Ga | 24 | 819 17 19-12 | Washer 17/32 x 1-3/16 x 12 Ga |
| 10 | 532 18 01-86 | Pan Seat | | | |
| 11 | 532 16 63-69 | Knob Seat Adj Wingnut | | | |

NOTE: All component dimensions given in U.S. inches
1 inch = 25.4 mm.

REPAIR PARTS

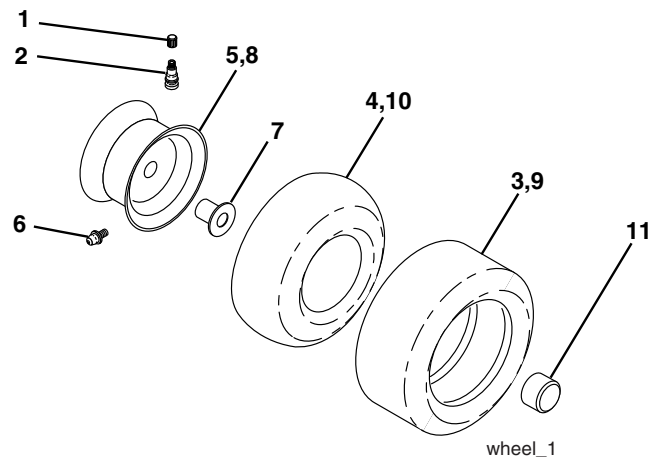
TRACTOR - MODEL NO. LT2117A (J2117AC), PRODUCT NO. 954 13 02-12
DECALS



| KEY NO. | PART NO. | DESCRIPTION |
|---------|---------------------|-----------------------------------|
| 1 | 532 18 88-76 | Decal, Side Panel |
| 2 | 532 14 08-37 | Decal, Brake Parking Sandle |
| 3 | 532 18 39-29 | Decal, Hood, Grill |
| 4 | 532 18 95-53 | Decal, Hood RH/LH |
| 5 | 532 16 03-96 | Decal, V-Belt Sch. |
| 7 | 532 18 21-66 | Decal, Mower Cuttingfinger Symbol |
| 8 | 532 18 39-30 | Decal, Logo, Fender |
| 9 | 532 18 04-32 | Decal, 100 DB/CE |
| 10 | 532 14 54-98 | Decal, Read Owners Manual |
| 11 | 532 14 50-05 | Decal, Bat Dan/Poi P/L Sym |
| 12 | 532 18 88-36 | Decal, Fender |
| 13 | 532 18 91-56 | Decal, RPL Int |

| KEY NO. | PART NO. | DESCRIPTION |
|---------|---------------------|--------------------------------|
| 14 | 532 17 91-28 | Decal, Deck "B" 42" |
| 15 | 532 18 57-73 | Decal, Logo Steering Wheel Cap |
| 16 | 532 15 97-36 | Decal, Chassis Hot Muffler |
| 17 | 532 15 97-37 | Decal, Brake/Clutch Symbol LT |
| -- | 532 16 25-98 | Decal, Drawbar Load Limit |
| -- | 532 16 69-60 | Decal, By-Pass |
| -- | 532 18 82-52 | Pad, Footrest LH |
| -- | 532 18 82-53 | Pad, Footrest RH |
| -- | 532 17 69-09 | Decal, Dash Insert |
| -- | 532 19 18-31 | Manual, Operator's (Euro) |
| -- | 532 19 18-32 | Manual, Operators, (Scan) |

WHEELS & TIRES

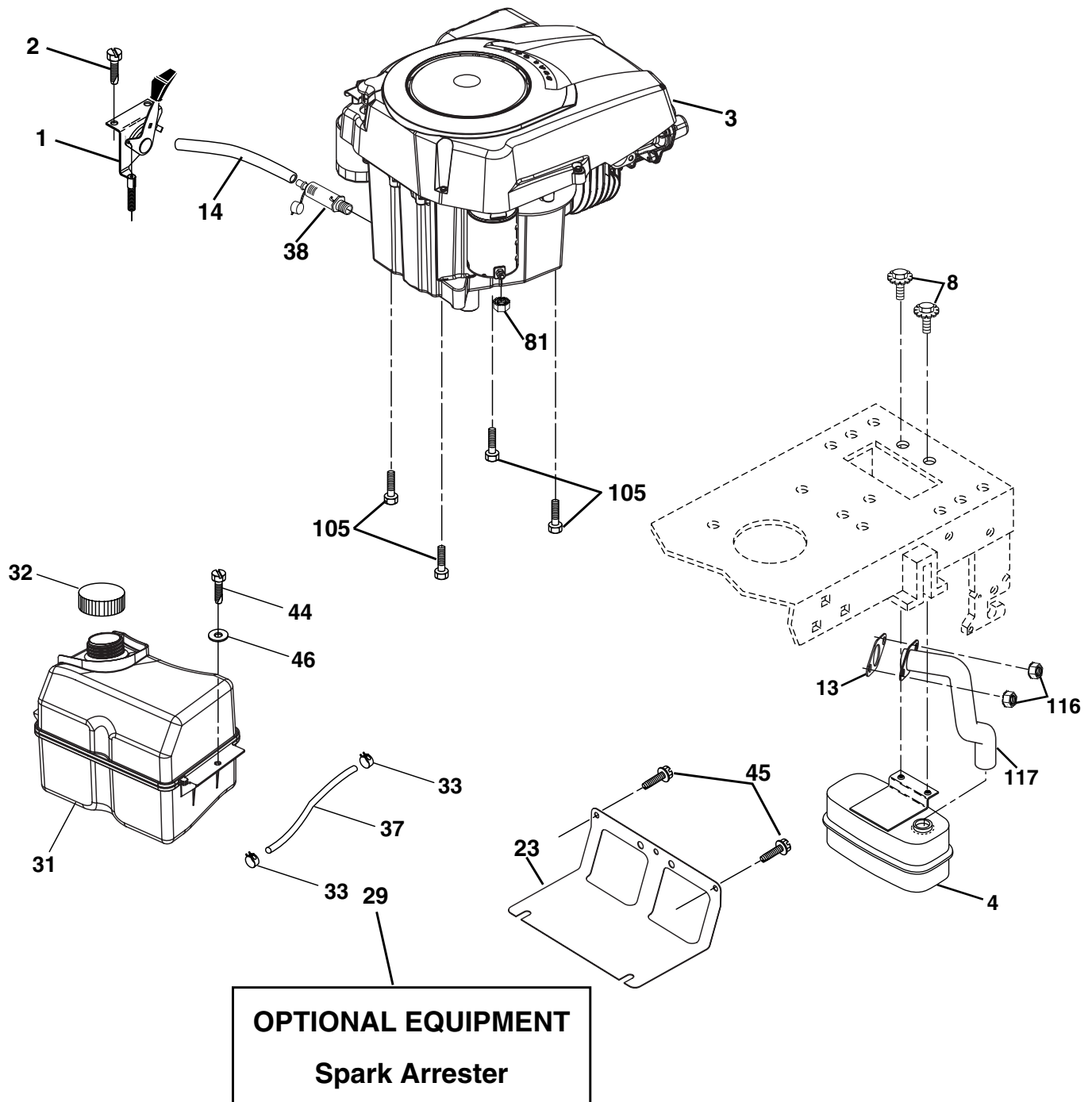


| KEY NO. | PART NO. | DESCRIPTION |
|---------|--------------|-----------------------------------|
| 1 | 532 05 91-92 | Cap Valve Tire |
| 2 | 532 06 51-39 | Stem Valve |
| 3 | 532 10 62-22 | Tire F Ts 15 x 6 0 - 6 Service |
| 4 | 532 05 99-04 | Tube Front (Service Item Only) |
| 5 | 532 13 83-36 | Rim Asm 6" front Silver Service |
| 6 | 532 12 49-57 | Fitting Grease (Front Wheel Only) |
| 7 | 532 12 49-59 | Bearing Flange (Front Wheel Only) |
| 8 | 532 13 83-37 | Rim Asm 8" rear Silver Service |
| 9 | 532 12 20-82 | Tire R Ts 20 x 10-8 C Service |
| 10 | 532 12 49-26 | Tube Rear (Service Item Only) |
| 11 | 532 17 50-39 | Cap Axle Blk 1 50 x 1 00 |
| -- | 532 14 43-34 | Sealant, Tire (10 oz. tube) |

NOTE: All component dimensions given in U.S. inches
1 inch = 25.4 mm

REPAIR PARTS

TRACTOR - MODEL NO. LT2117A (J2117AC), PRODUCT NO. 954 13 02-12
ENGINE



engine-kohler_42

REPAIR PARTS

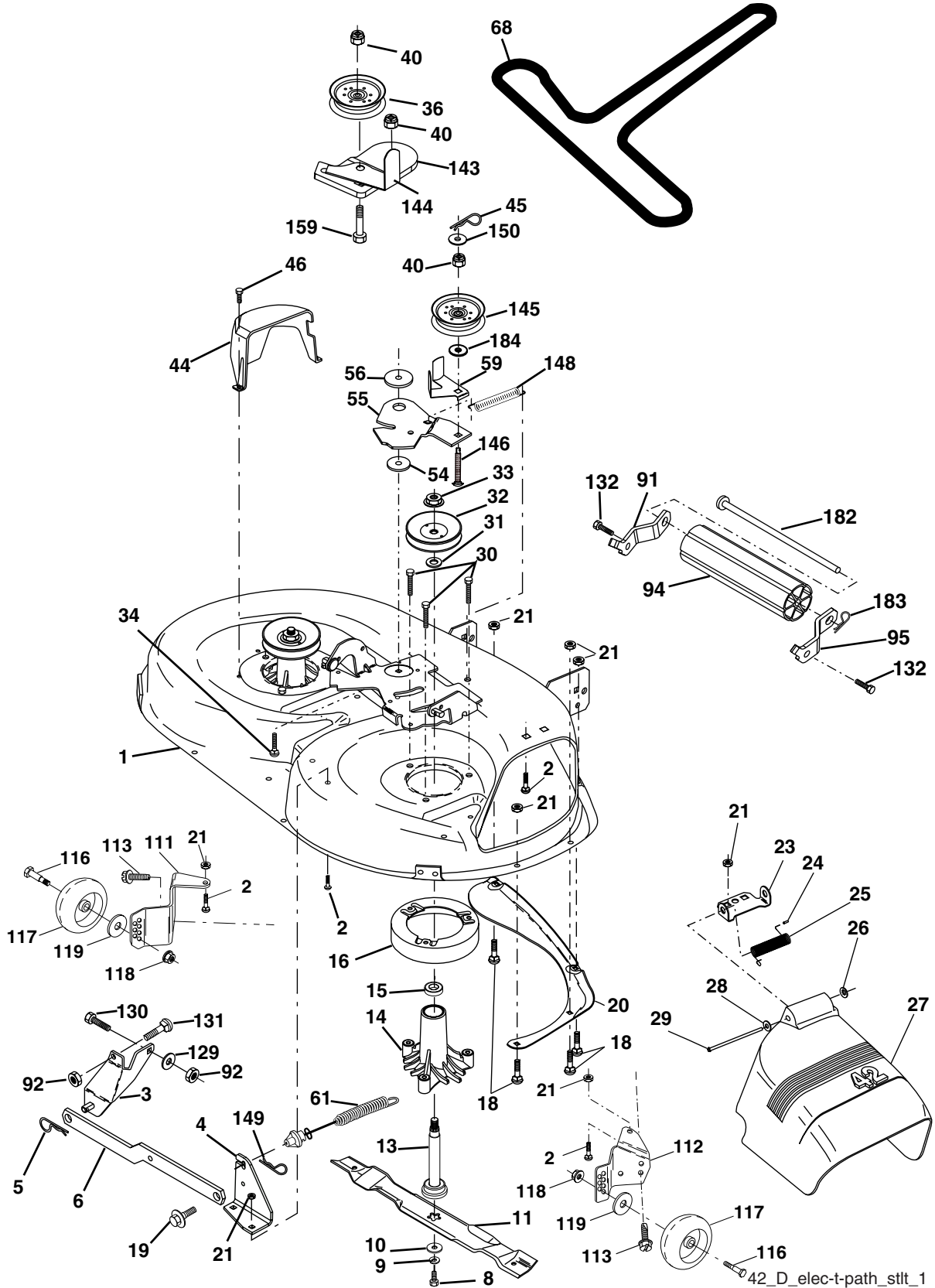
TRACTOR - MODEL NO. LT2117A (J2117AC), PRODUCT NO. 954 13 02-12
ENGINE

| KEY NO. | PART NO. | DESCRIPTION |
|---------|--------------|---|
| 1 | 532 18 94-80 | Control Th/ch CB EEC. 428 |
| 2 | 532 17 18-75 | Screw HWHD Hi-Lo #13-16 x 3/4 |
| 3 | ----- | Engine Kohl Model No. SV530 (Order parts from engine manufacturer) |
| 4 | 532 18 86-55 | Muffler |
| 8 | 532 17 18-77 | Bolt 5/16-18 Unc x 3/4 w/Sems |
| 13 | 532 18 59-09 | Gasket Eng |
| 14 | 532 14 84-56 | Tube Drain Oil Easy |
| 23 | 532 16 98-37 | Shield Browning/Debris Guard |
| 29 | 532 13 71-80 | Kit Spark Arrestor |
| 31 | 532 18 55-34 | Tank Fuel |
| 32 | 532 14 05-27 | Cap Asm Fuel Top Vented N/Lang |
| 33 | 532 12 34-87 | Clamp Hose Black |
| 37 | 532 13 70-40 | Line Fuel |
| 38 | 532 18 16-54 | Plug Drain Oil Easy |
| 44 | 817 67 04-12 | Screw Hex Wsh THDROL 1/4-20 x 3/4 |
| 45 | 817 00 06-12 | Screw 3/8-16 x .75 SMGML |
| 46 | 819 09 14-16 | Washer 9/32 x 7/8 x 16 Ga. |
| 81 | 873 51 04-00 | Nut Flange 1/4-20 Starter Nut |
| 105 | 817 12 06-16 | Screw 3/8-16 x 1 |
| 116 | 532 18 43-62 | Nut Hex Flange Toplock M8-1.25 |
| 117 | 532 18 86-54 | Tube Exhaust |

NOTE: All component dimensions given in U.S. inches
1 inch = 25.4 mm

REPAIR PARTS

TRACTOR - MODEL NO. LT2117A (J2117AC), PRODUCT NO. 954 13 02-12
MOWER DECK



REPAIR PARTS

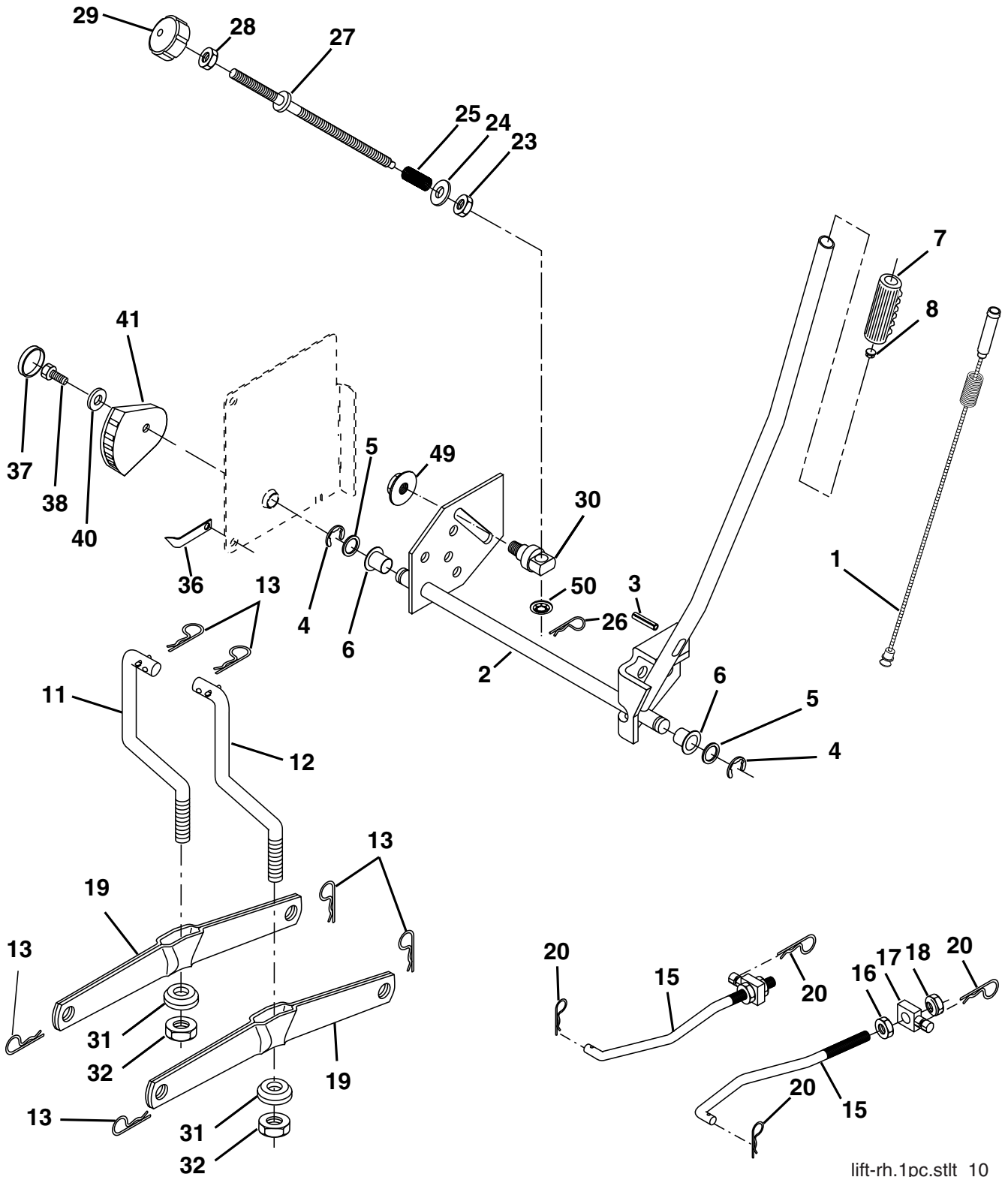
TRACTOR - MODEL NO. LT2117A (J2117AC), PRODUCT NO. 954 13 02-12
MOWER DECK

| KEY NO. | PART NO. | DESCRIPTION | KEY NO. | PART NO. | DESCRIPTION |
|---------|--------------|----------------------------------|---------|--------------|---|
| 1 | 532 16 58-92 | Housing Asm Mower 42"94 T-Path | 68 | 532 18 02-60 | V-Belt Mower |
| 2 | 872 14 05-06 | Bolt Rdhd Sqnk 5/16-18 Unc x 3/4 | 91 | 532 18 05-32 | Bracket Asm Noseroller LH |
| 3 | 532 13 80-17 | Bracket Asm Fr Sway Bar 38/42 | 92 | 873 80 06-00 | Nut Lock Hex w/ins. 3/8-16 Unc |
| 4 | 532 16 54-60 | Bracket Asm Deck 42"sway Bar | 94 | 532 13 22-64 | Roller Nose 38 & 42 |
| 5 | 532 12 46-70 | Retainer Spring | 95 | 532 18 05-33 | Bracket Asm Noseroller RH |
| 6 | 532 17 80-24 | Bar Sway Deck | 111 | 532 17 92-92 | Bracket Gauge Wheel Lh |
| 8 | 532 85 08-57 | Bolt 3/8-24 x 1 25 Gr8 Patched | 112 | 532 17 92-93 | Bracket Gauge Wheel Rh |
| 9 | 810 03 06-00 | Washer Lock Hvy 3/8 Unplated | 113 | 817 00 05-10 | Bolt 5/16-18 Hex W/ins HD LCK-SERR |
| 10 | 532 14 02-96 | Washer Hard Blade Mower Vented | 116 | 532 12 48-42 | Bolt Shoulder |
| 11 | 532 13 89-71 | Blade Mower High Lift" | 117 | 532 16 57-46 | Wheel Gauge |
| 13 | 532 13 76-45 | Shaft Asm W/lower Bearing | 118 | 873 93 06-00 | Nut Centerlock 3/8-16 Unc |
| 14 | 532 12 87-74 | Housing Mandrel Vented(machd) | 119 | 819 12 14-14 | Washer 3/8 x 7/8 x 14 Ga. |
| 15 | 532 11 04-85 | Bearing Ball Mandrel | 129 | 819 13 13-12 | Washer 13/32 x 13/16 x 12 Ga. |
| 16 | 532 17 44-93 | Stripper Mower | 130 | 874 78 06-16 | Bolt Fin Hex 3/8-16 Unc x 1 Gr. 5 |
| 18 | 872 14 05-05 | Bolt Carr 5/16-18 x 5/8 | 131 | 872 14 06-08 | Bolt Rdhd Sqnk 3/8-16 Unc x1 |
| 19 | 532 13 28-27 | Bolt Shoulder | 132 | 817 00 06-12 | Screw 3/8-16 x .75 |
| 20 | 532 15 97-70 | Baffle Vortex 42 | 143 | 532 15 71-09 | Bracket Arm Idler |
| 21 | 873 68 05-00 | Nut Crown Lock 5/16-18 | 144 | 532 15 86-34 | Keeper Belt |
| 23 | 532 17 75-63 | Bracket Deflector Mower 42" | 145 | 532 16 58-88 | Pulley Idler Flat |
| 24 | 532 10 53-04 | Cap Sleeve 80x 112 Blk Mower | 146 | 532 17 19-77 | Bolt Carriage Idler |
| 25 | 532 12 37-13 | Spring Torsion Deflector 2 52 | 148 | 532 16 90-22 | Spring Return Idler |
| 26 | 532 11 04-52 | Nut Push Phos & Oil | 149 | 532 16 58-98 | Retainer Spring Yellow |
| 27 | 532 17 18-59 | Shield Deflector | 150 | 819 09 12-16 | Washer 9/32 x 3/4 x 16 |
| 28 | 819 11 10-16 | Washer 11/32 x 5/8 x 16 Ga | 159 | 872 14 06-14 | Bolt RDHD SQN 3/8-16 x 1-3/4 |
| 29 | 532 13 14-91 | Rod Hinge 42"6 75 Wlg | 182 | 532 17 91-26 | Rod Roller Nose Standard |
| 30 | 532 17 39-84 | Screw Thd Rolling Hex | 183 | 532 16 35-52 | Retainer Spring |
| 31 | 532 18 76-90 | Washer Spacer | 184 | 819 13 14-10 | Washer 13/32 x 7/8 x 10 Ga. |
| 32 | 532 15 35-35 | Pulley Mandrel | -- | 532 13 07-94 | Mandrel Assembly (Includes Housing, Shaft and Shaft Hardware Only - Pulley Not Included) |
| 33 | 532 17 83-42 | Nut 9/16top Lock Flng Cntr | -- | 532 18 19-62 | Replacement Deck, Complete (Std. Deck - Order separately nose roller and gauge wheel components key nos. 91, 94-95, 132, 182, 183, 116-119) |
| 34 | 872 11 06-12 | Bolt Carr Sh 3/8-16 x 1-1/2 Gr.5 | | | |
| 36 | 532 13 14-94 | Pulley Idler Flat 3 060 | | | |
| 40 | 873 90 06-00 | Nut Lock 3/8-16 Unc | | | |
| 44 | 532 14 00-88 | Guard Mandrel LH Black | | | |
| 45 | 532 12 47-88 | Retainer Spring | | | |
| 46 | 532 13 77-29 | Screw Thdrol 1/4-20 x 5/8 | | | |
| 54 | 532 17 85-15 | Washer Hardened | | | |
| 55 | 532 15 50-46 | Arm Idler 42"mower LT/YT | | | |
| 56 | 532 16 57-23 | Spacer Retainer Mower | | | |
| 59 | 532 14 10-43 | Guard, Belt | | | |
| 61 | 532 17 48-82 | Spring Ext. Elect | | | |

NOTE: All component dimensions given in U.S. inches
1 inch = 25.4 mm

REPAIR PARTS

TRACTOR - MODEL NO. LT2117A (J2117AC), PRODUCT NO. 954 13 02-12
MOWER LIFT



lift-rh.1pc.stlt_10

REPAIR PARTS

TRACTOR - MODEL NO. LT2117A (J2117AC), PRODUCT NO. 954 13 02-12
MOWER LIFT

| KEY NO. | PART NO. | DESCRIPTION |
|---------|---------------------|----------------------------------|
| 1 | 532 15 94-61 | Wire Asm Inner/Sprg W/plunger LT |
| 2 | 532 15 94-76 | Shaft Asm Lift |
| 3 | 532 18 88-22 | Pin Groove |
| 4 | 812 00 00-02 | E Ring #5133-62 |
| 5 | 819 21 16-21 | Washer 21/32 x 1 x 21 Ga. |
| 6 | 532 12 01-83 | Bearing Nylon Blk 629 Id |
| 7 | 532 12 56-31 | Grip Handle Fluted Blk |
| 8 | 532 12 23-65 | Button Plunger Red |
| 11 | 532 13 98-65 | Link Lift LH Mower |
| 12 | 532 13 98-66 | Link Lift RH Mower |
| 13 | 532 12 46-70 | Retainer Spring |
| 15 | 532 17 32-88 | Link Front |
| 16 | 873 35 08-00 | Nut Jam Hex 1/2-13 Unc |
| 17 | 532 17 56-89 | Trunnion Blk Zinc |
| 18 | 873 80 08-00 | Nut Lock W/wsh 1/2-13 Unc |
| 19 | 532 13 98-68 | Arm Suspension Rear |
| 20 | 532 16 35-52 | Retainer Spring |
| 23 | 532 11 08-07 | Nut Special |
| 24 | 819 13 10-16 | Washer 13/32 x 5/8 x 16 Ga. |
| 25 | 532 16 40-24 | Spring Comp Infinite |
| 26 | 532 16 94-84 | Retainer Clip |
| 27 | 532 16 45-43 | Rod Adj Lift |
| 28 | 873 35 06-00 | Nut Hex Jam 3/8-16 Unc |
| 29 | 532 13 80-57 | Knob Inf 3/8-16 Unc |
| 30 | 532 15 02-33 | Trunnion Inf. Height |
| 31 | 532 16 98-65 | Bearing Put Lift |
| 32 | 873 54 06-00 | Nut Crownlock 3/8-24 |
| 36 | 532 15 50-97 | Pointer Height Ind |
| 37 | 532 12 39-35 | Plug Hole |
| 38 | 817 06 05-16 | Screw 5/16-18 x 1 SMGML Tap/R |
| 40 | 819 11 24-10 | Washer 11/32 x 1-1/2 x 10 Ga. |
| 41 | 532 15 50-98 | Ind Height STLT |
| 49 | 532 14 52-12 | Nut, Hex Flange Lock |
| 50 | 532 11 04-52 | Nut Push Phos & Oil |

NOTE: All component dimensions given in U.S. inches
1 inch = 25.4 mm