

LT2115 A

Spare parts

Ersatzteile

Pièces détachées

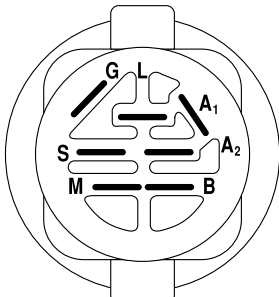
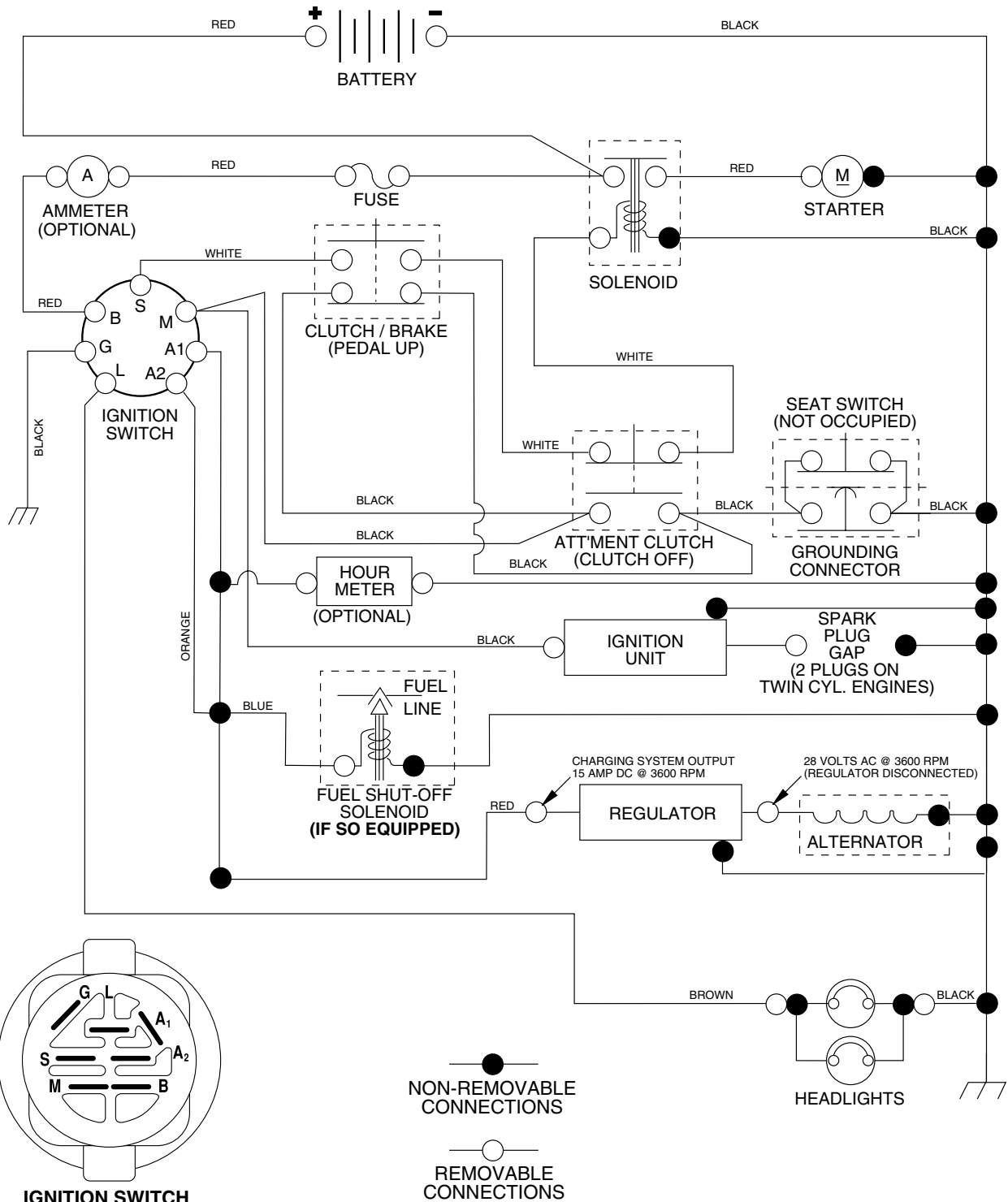
Reserve onderdelen

Repuestos

Reservdelar

REPAIR PARTS

TRACTOR - MODEL NO. LT2115A (J2115AA), PRODUCT NO. 954 13 02-11 SCHEMATIC



IGNITION SWITCH

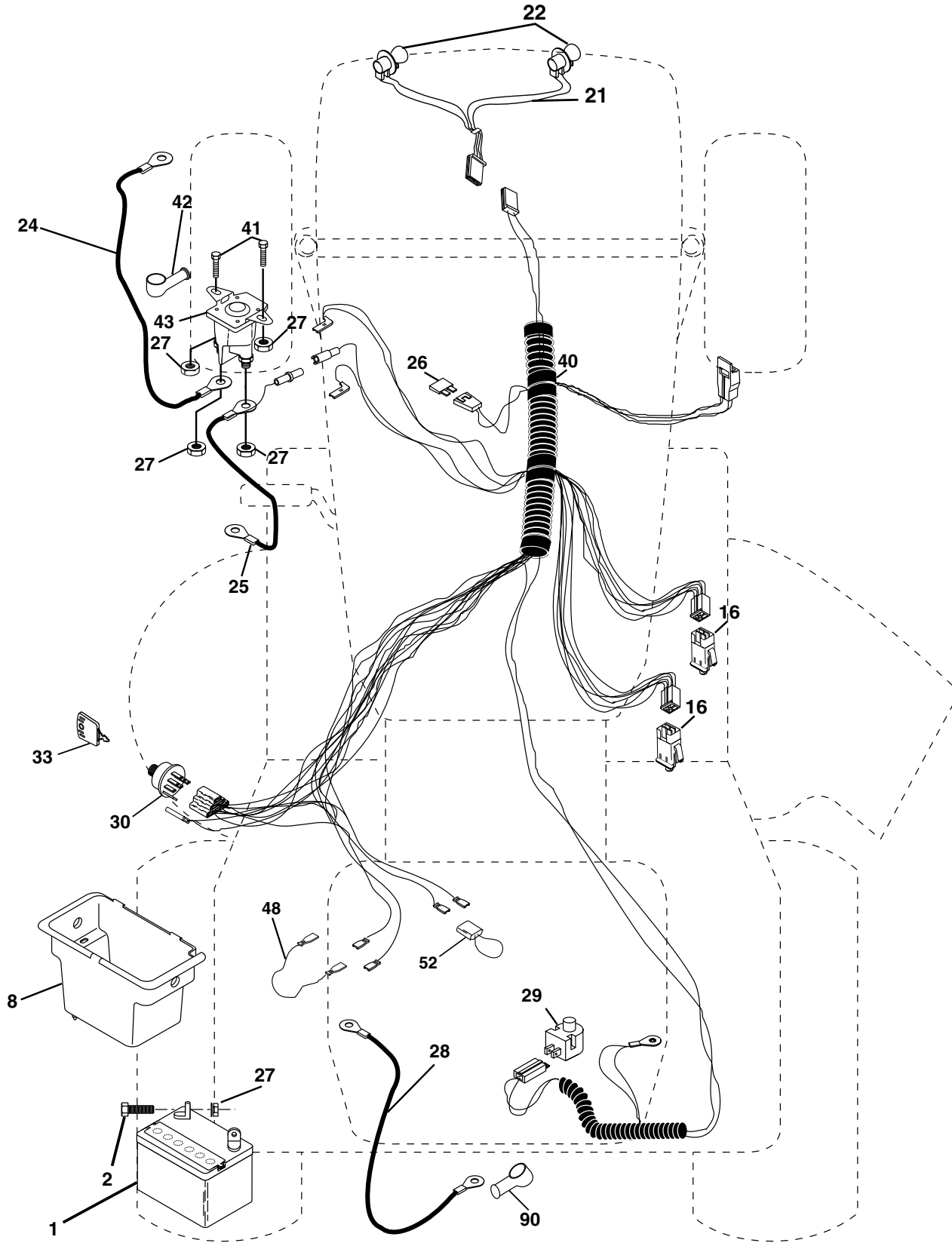
POSITION	CIRCUIT	"MAKE"
OFF	M+G+A1	NONE
RUN/LIGHT	B+A1	A2+L
RUN	B+A1	NONE
START	B + S + A1	NONE

WIRING INSULATED CLIPS

NOTE: IF WIRING INSULATED CLIPS WERE REMOVED FOR SERVICING OF UNIT, THEY SHOULD BE REPLACED TO PROPERLY SECURE YOUR WIRING.

REPAIR PARTS

TRACTOR - MODEL NO. LT2115A (J2115AA), PRODUCT NO. 954 13 02-11
ELECTRICAL



REPAIR PARTS

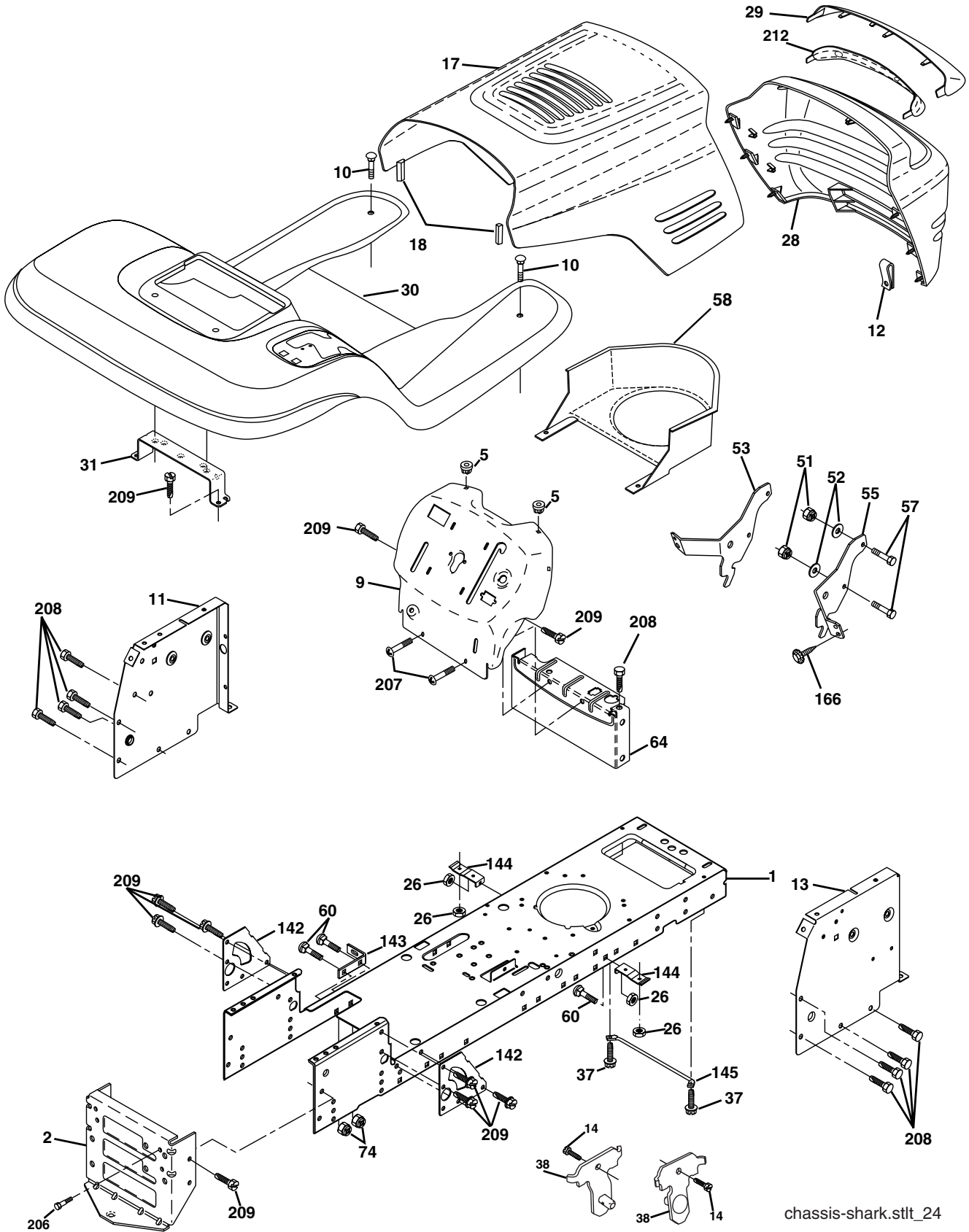
TRACTOR - MODEL NO. LT2115A (J2115AA), PRODUCT NO. 954 13 02-11
ELECTRICAL

KEY NO.	PART NO.	DESCRIPTION
1	532 14 49-27	Battery
2	874 76 04-12	Bolt Hex Hd 1/4-20 unc x 3/4
8	532 17 66-89	Box Battery
16	532 17 61-38	Switch Interlock
21	532 17 56-88	Harness Asm Light W/4152j
22	532 00 41-52	Bulb Light
24	532 12 47-80	Cable Battery 6 Ga. 11" red
25	532 14 61-47	Cable Battery 6 Ga. 44" red w/16 wire
26	532 17 51-58	Fuse 20 AMP
27	873 51 04-00	Nut Keps Hex 1/4-20 unc
28	532 12 47-73	Cable Ground 6 Ga. 12" black
29	532 12 13-05	Switch Plunger Nc Gray
30	532 17 55-66	Switch Ign
33	532 14 04-01	Key Ign
40	532 17 97-20	Harness Ign.
41	871 11 04-08	Bolt Blk Fin Hex 1/4 - 20 x 1/2
42	532 13 15-63	Cover Terminal Red
43	532 17 88-61	Solenoid
48	532 14 08-44	Adapter Ammeter
52	532 14 19-40	Protection Wire Loop
90	532 18 04-49	Cover Terminal Battery

NOTE: All component dimensions given in U.S. inches.
1 inch = 25.4 mm.

REPAIR PARTS

TRACTOR - MODEL NO. LT2115A (J2115AA), PRODUCT NO. 954 13 02-11
CHASSIS AND ENCLOSURES



chassis-shark.stlt_24

REPAIR PARTS

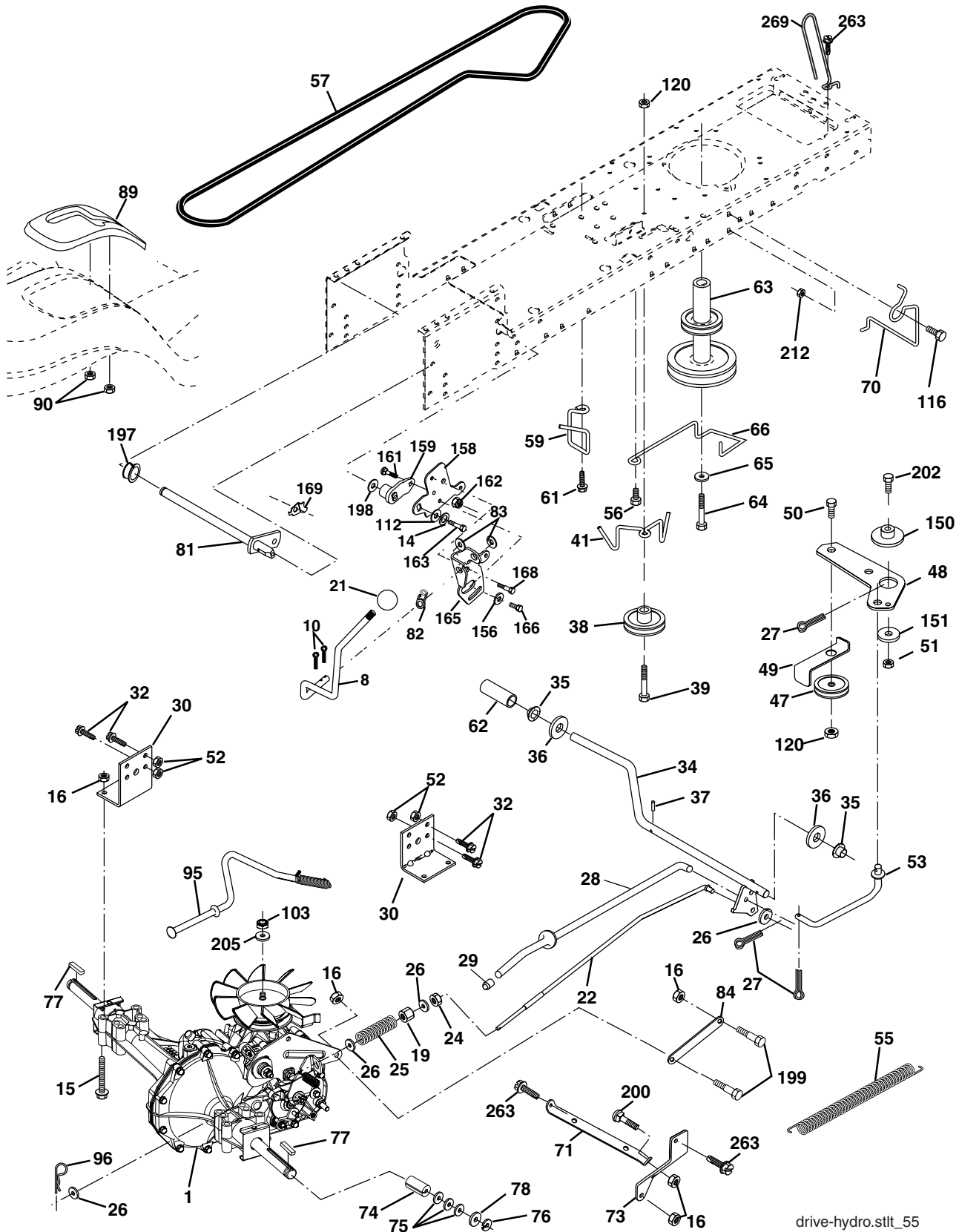
TRACTOR - MODEL NO. LT2115A (J2115AA), PRODUCT NO. 954 13 02-11 CHASSIS AND ENCLOSURES

KEY NO.	PART NO.	DESCRIPTION
1	532 17 46-19	Chassis Weldment
2	532 17 65-54	Drawbar
5	532 15 52-72	Bumper Hood/Dash
9	532 18 94-12	Dash P/L
10	872 14 06-08	Bolt Carriage 3/8-16 x 1
11	532 17 49-96	Panel Dash Lh
12	532 14 56-60	Clip Tinnerman Grille P/L
13	532 18 17-19	Panel Dash Rh
14	817 49 06-08	Screw Thdrol 3/8-16 x 1/2
17	532 15 07-60	Hood LT/PL with Louvers
18	532 18 49-21	Bumper Hood
26	873 80 06-00	Nut Lock Hex W/Ins 3/8-16 unc
28	532 17 93-51	Grill/Lens Asm.
29	532 17 90-14	Lens LT/PL Grille Shark Plain
30	532 18 12-05	Fender Footrest
31	532 13 99-76	Bracket Support Fender
37	817 49 05-08	Screw Thdrol 6/16-18 x 1/2 TYT
38	532 17 57-10	Bracket, Asm. Pivot
51	873 80 04-00	Nut Lock Hex W/Ins 1/4-20
52	819 09 14-16	Washer 9/32 x 7/8 x 16 Ga.
53	532 14 52-01	Bracket Pnt. Pickoff LH
55	532 14 52-02	Bracket Grille Pickoff RH
57	874 78 04-12	Bolt Hex 1/4-20 x 3/4
58	532 18 46-43	Duct Intake Air
60	872 14 06-06	Bolt Rdhd Sqnk 3/8-16 unc x 3/4
64	532 15 47-98	Dash Lower STLT
74	873 68 06-00	Nut Crownlock 3/8-16 unc
142	532 17 57-02	Plate Reinforcement STLT
143	532 18 66-89	Bracket Swaybar Chassis
144	532 17 55-82	Bracket Pnt Footrest STLT
145	532 15 65-24	Rod Pivot Chassis/Hood
166	532 17 18-75	Screw HWHD Hi-Lo #13-16 x 5/8
206	532 17 01-65	Bolt Shoulder 5/16-18
207	817 67 05-08	Screw Thdrol 5/16-18 x 1/2
208	817 67 06-08	Screw Thdrol 3/8-16 x 1/2
209	817 00 06-12	Screw Hexwsh Thdr 3/8-16 x 3/4 Bl.
212	532 16 59-19	Insert Lens Reflective
--	532 00 54-79	Plug Button
--	532 18 78-01	Plug Dome

NOTE: All component dimensions given in U.S. inches
1 inch = 25.4 mm

REPAIR PARTS

TRACTOR - MODEL NO. LT2115A (J2115AA), PRODUCT NO. 954 13 02-11
DRIVE



drive-hydro.stlt_55

REPAIR PARTS

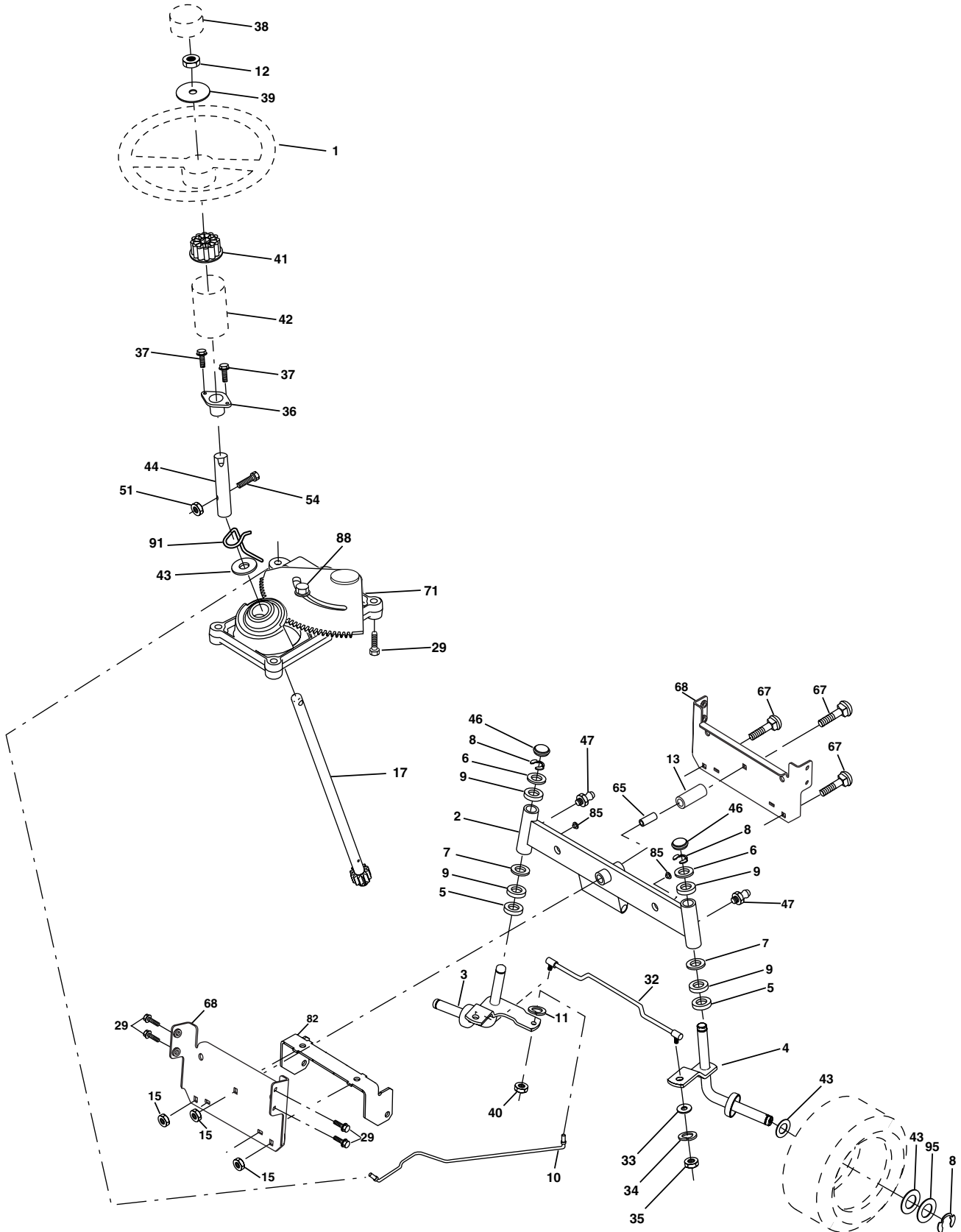
TRACTOR - MODEL NO. LT2115A (J2115AA), PRODUCT NO. 954 13 02-11 DRIVE

KEY NO.	PART NO.	DESCRIPTION	KEY NO.	PART NO.	DESCRIPTION
1	-----	Transaxle Hydro Gr 322-0510 (Order parts from transaxle manufacturer)	73	532 16 91-82	Strap Torque Rh Hydro
8	532 16 58-66	Rod Shift Fender STLT	74	532 13 70-57	Spacer, Axle
10	876 02 04-16	Pin Cotter 1/8 x 1 CAD	75	532 12 17-49	Washer 25/32 x 1-1/4 x 16 Ga.
14	810 04 04-00	Washer Lock Hvy Helical 1/4	76	812 00 00-01	E-Ring
15	874 49 05-44	Bolt Hex Flg Hd 5/16-18 x Gr. 5	77	532 12 35-83	Key, Square
16	873 80 05-00	Nut Lock Hex W/Ins. 5/16-18 unc P	78	532 12 17-48	Washer 25/32 x 1-5/8 x 16 Ga.
19	873 80 06-00	Nut Lock Hex W/Wsh 3/8-16 unc	81	532 16 55-96	Shaft Asm. Cross Hydro
21	532 12 12-74	Knob	82	532 16 57-11	Spring Torsion T/A
22	532 16 94-98	Rod, Brake Hydro	83	819 17 12-16	Washer 17/32 x 3/4 x 16 Ga.
24	873 35 06-00	Nut	84	532 16 98-43	Link Transaxle
25	532 10 68-88	Spring, Brake Rod	89	532 16 66-02	Console, Shift
26	819 13 13-16	Washer	90	532 12 43-46	Nut Self-Thd wsh-Hd 1/4 Zinc
27	876 02 04-12	Pin Cotter 1/8 x 3/4 CAD.	95	532 17 02-01	Control Asm Bypass Hydro
28	532 17 57-65	Rod, Parking Brake	96	532 12 47-88	Retainer Spring 1" Zinc/Cad
29	532 07 16-73	Cap, Parking Brake	103	873 94 08-00	Nut Hex Jam Toplock 1/2-20 unf
30	532 17 49-73	Bracket, Transaxle	112	819 09 12-10	Washer 9/32 x 3/4 x 10 Ga.
32	874 76 05-12	Bolt Hex Hd 5/16-18 unc x 3/4	116	872 14 06-08	Bolt Rdhd 3/8-16 x 1
34	532 17 55-78	Shaft, Foot Pedal, Nibbed	120	873 90 06-00	Nut Lock Flg 3/8-16
35	532 12 01-83	Bearing, Nylon	150	532 17 54-56	Spacer Retainer
36	819 21 16-16	Washer	151	819 13 32-10	Washer 13/32 x 2 x 10 Ga.
37	532 12 49-63	Pin, Roll	156	532 16 60-02	Washer Srrtd 5/16 ID x 1.0 x .125 Tk
38	532 17 91-14	Pulley, Composite, Flat	158	532 16 55-89	Bracket Shift Mount
39	872 11 06-22	Bolt Rdhd 3/8-16 unc x 2-3/4 Gr. 5	159	532 18 39-00	Hub Shift
41	532 17 55-56	Keeper, Belt Idler	161	872 14 04-06	Bolt Rdhd Sqnk 1/4-20 x 3/4 Gr. 5
47	532 12 77-83	Pulley, Idler, V-Groove	162	873 68 04-00	Nut Crownlock 1/4-20 unc
48	532 15 44-07	Bellcrank Clutch Grnd Drv Stl	163	874 78 04-16	Bolt Hex Fin 1/4-20 unc x 1 Gr. 5
49	532 12 32-05	Retainer, Belt	165	532 16 56-23	Bracket Pivot Lever
50	872 11 06-12	Bolt 3/8-16 x 1-1/2 Gr. 5	166	817 49 05-10	Screw 5/16-18 x 5/8
51	873 68 06-00	Nut Crownlock 3/8-16	168	532 16 54-92	Bolt Shoulder 5/16-18 x .561 TT
52	873 68 05-00	Nut Crownlock 5/16-18	169	532 16 55-80	Plate Fastening Cross Shf. STLT/ CRD
53	532 10 57-10	Link, Clutch	197	532 16 96-13	Nyliner Snap-In 5/8" ID
55	532 10 57-09	Spring, Return, Clutch	198	532 16 95-93	Washer Nyl 7/8 ID x .105 HYD CRD
56	817 06 06-20	Screw 3/8-16 x 1	199	532 16 96-12	Bolt Shoulder 5/16-18 unc
57	532 14 02-94	V-Belt, Ground Drive	200	872 14 05-08	Bolt Rdhd Sqnk 5/16-18 unc x 1
59	532 16 96-91	Keeper, Center Span	202	872 11 06-14	Bolt Carr 3/8-16 x 1-3/4 Gr. 5
61	817 12 06-14	Screw 3/8-16 x 3/4	205	819 17 16-16	Washer 17/32 x 1 x 16 Ga.
62	532 12 48-72	Cover, Pedal	212	532 14 52-12	Nut Hex Flange Lock
63	532 18 02-19	Pulley, Eng	263	817 00 06-12	Screw 3/8-16 x 3/4
64	532 17 39-37	Bolt Hex 7/16-20 x 4 Ga. 5	269	532 18 24-02	Guard Muffler RH
65	810 04 07-00	Washer			
66	532 15 47-78	Keeper Belt Engine			
70	532 18 02-18	Guide Belt Mower Drive RH			
71	532 16 91-83	Strap Torque Lh Hydro			

NOTE: All component dimensions given in U.S. inches.
1 inch = 25.4 mm.

REPAIR PARTS

TRACTOR - MODEL NO. LT2115A (J2115AA), PRODUCT NO. 954 13 02-11
STEERING ASSEMBLY



REPAIR PARTS

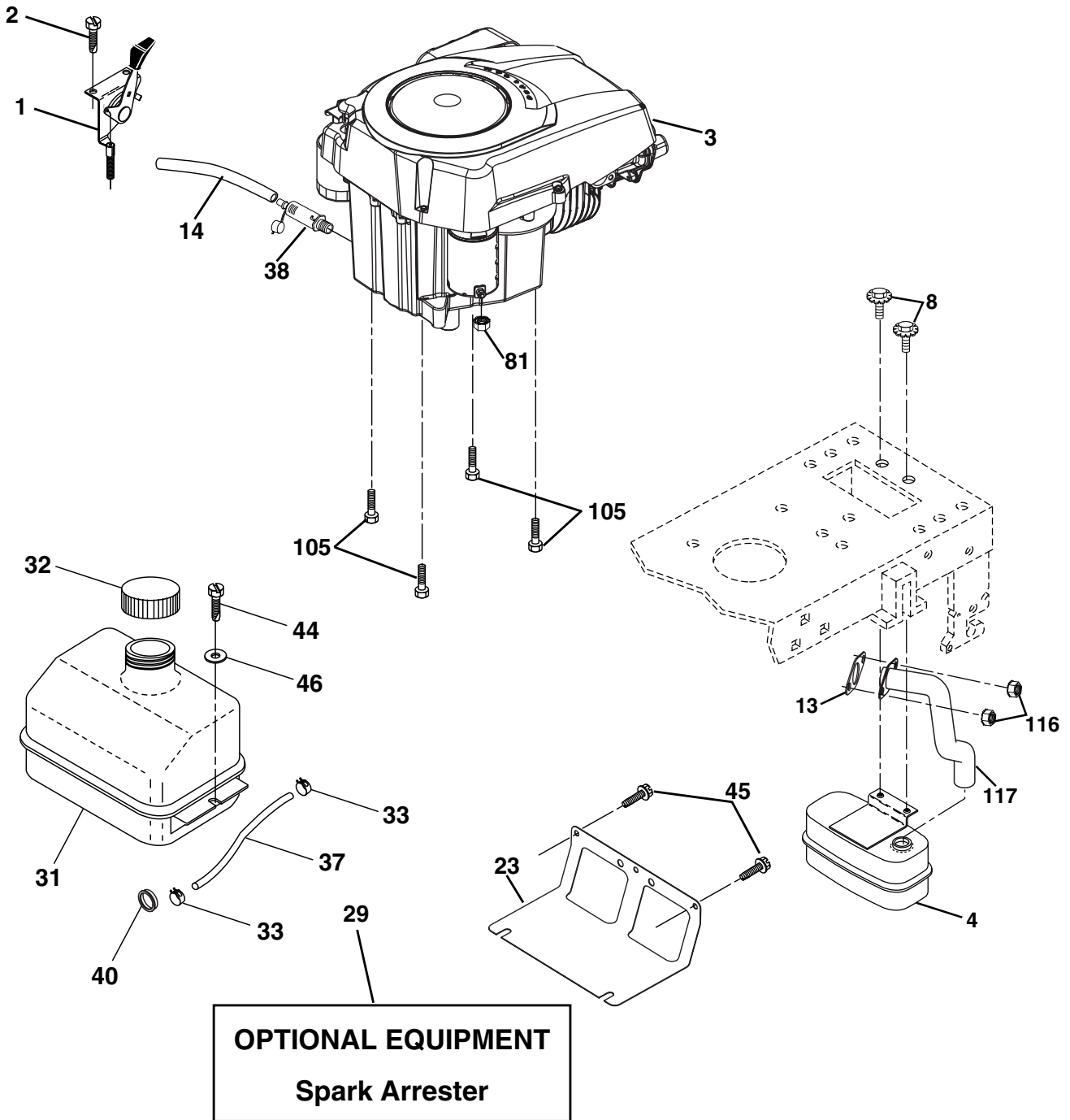
TRACTOR - MODEL NO. LT2115A (J2115AA), PRODUCT NO. 954 13 02-11 STEERING ASSEMBLY

KEY NO.	PART NO.	DESCRIPTION
1	532 17 20-92	Wheel Steering
2	532 17 51-31	Axle Asm
3	532 16 98-40	Spindle Asm LH
4	532 16 98-39	Spindle Asm RH
5	532 12 49-31	Bearing Race Thrust Harden
6	532 12 17-48	Washer 25/32 x 1-5/8 x 16 Ga.
7	819 27 20-16	Washer 27/32 x 1-1/4 x 16 Ga.
8	812 00 00-29	Ring Klip #t5304-75
9	532 12 49-37	Bearing Col Strg Blk
10	532 17 51-21	Link Drag
11	810 04 06-00	Washer Lock Hvy Hlcl Spr 3/8
12	873 94 08-00	Nut Hex Jam Toplock 1/2-20 unf
13	532 13 65-18	Bearing Axle STLT/GT
15	532 14 52-12	Nut Hexflange Lock
17	532 18 06-41	Shaft Asm Strg
29	817 00 06-12	Screw 3/8-16 x 3/4 SMGML
32	532 17 18-88	Rod Tie
33	819 11 12-16	Washer 11/32 x 3/4 x 16 Ga.
34	810 04 05-00	Washer Lock 5/16
35	873 54 05-00	Crownlock Nut 5/16-24 unf
36	532 15 50-99	Bushing Strg
37	532 15 29-27	Screw
38	532 17 20-93	Insert Cap Strg Wh
39	819 18 24-11	Washer 9/16 x 1-1/2 11 Ga.
40	873 54 06-00	Lock nut
41	532 15 99-45	Adaptor Wheel Strg
42	532 16 96-33	Boot Steering Shaft
43	532 12 17-49	Washer 25/32 x 1 1/4 x 16 Ga.
44	532 18 06-40	Extension Steering Shaft LR/LT
46	532 12 12-32	Cap Spindle Fr Top Blk
47	532 18 32-26	Fitting Grease
51	873 54 04-00	Nut Crownlock 1/4-28
54	871 13 04-20	Bolt Hex 1/4-28 unf x 1-1/4 Gr. 8
65	532 16 03-67	Spacer Axle
67	872 11 06-18	Bolt RDHD SQNK 3/8-16 x 2-1/4
68	532 16 98-27	Axle, Brace
71	532 17 51-46	Steering Asm.
82	532 16 98-35	Bracket Susp Chassis Front
85	532 13 38-35	Fastner Christmas Tree
88	532 17 51-18	Bolt Shoulder 7/16-20 unc
91	532 17 55-53	Clip Steering
95	532 18 89-67	Washer Hardened

NOTE: All component dimensions given in U.S. inches.
1 inch = 25.4 mm.

REPAIR PARTS

TRACTOR - MODEL NO. LT2115A (J2115AA), PRODUCT NO. 954 13 02-11
ENGINE



engine-kohler_43

REPAIR PARTS

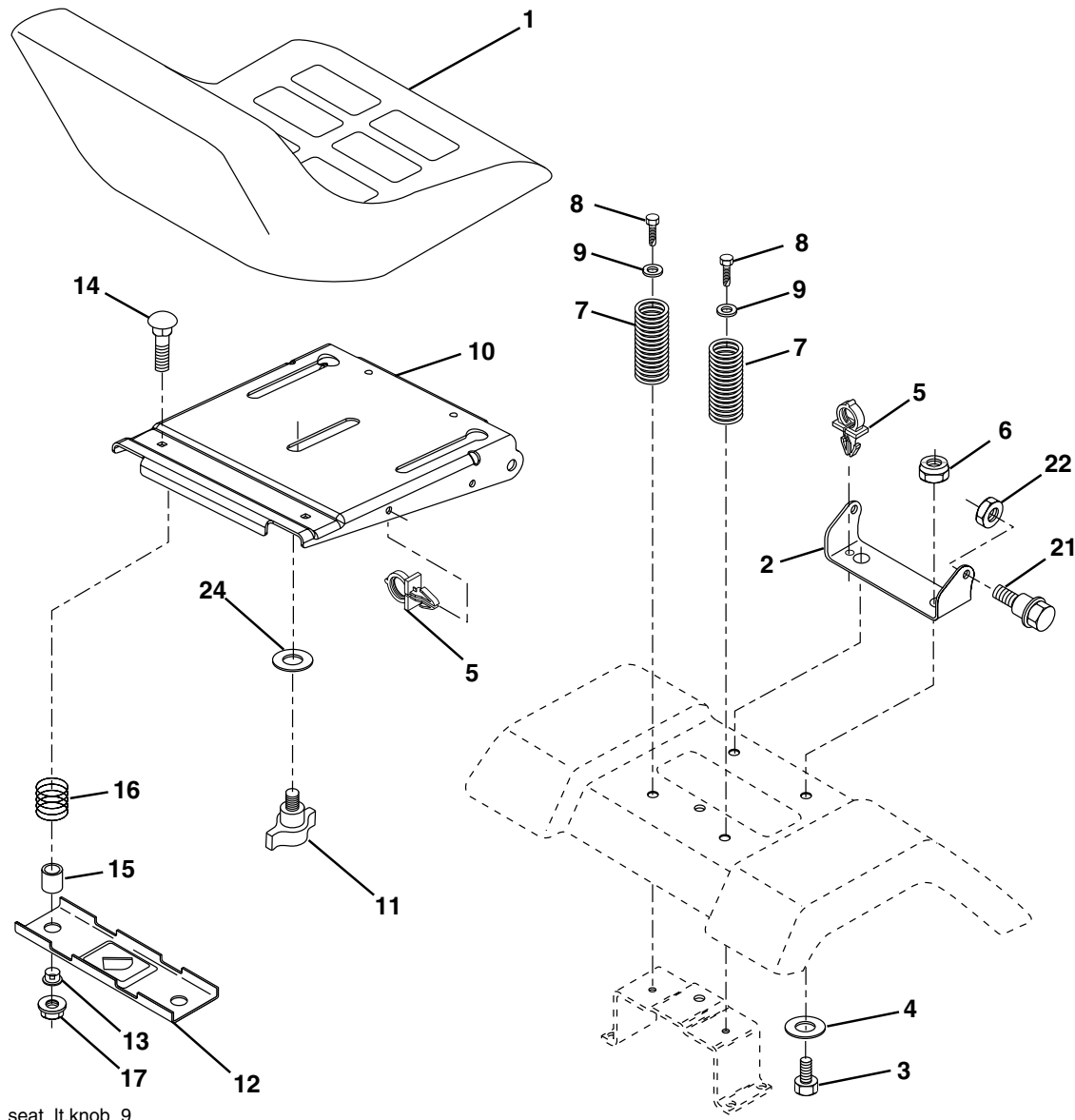
TRACTOR - MODEL NO. LT2115A (J2115AA), PRODUCT NO. 954 13 02-11
ENGINE

KEY NO.	PART NO.	DESCRIPTION
1	532 17 08-05	Control, Throttle
2	817 72 04-08	Screw, Hex Thd Cut 1/4-20 x 1/2
3	-----	Engine, Kohler, (Order parts from engine manufacturer) No. SV470
4	532 18 86-55	Muffler Exhaust
8	532 17 18-77	Bolt 5/16-18 unc x 3/4 W/Sems
13	532 18 59-09	Gasket, Muffler
14	532 14 84-56	Tube Drain Oil Easy
23	532 16 98-37	Shield, Brn/Dbr Guard
29	532 13 71-80	Arrestor, Spark
31	532 18 49-00	Tank, Fuel
32	532 14 05-27	Cap Fuel
33	532 12 34-87	Clamp, Hose
37	532 13 70-40	Line, Fuel
38	532 18 16-54	Plug, Oil Drain Easy
40	532 12 40-28	Bushing Snap
44	817 67 04-12	Screw 1/4-20 x 3/4
45	817 00 06-12	Screw Hex Wsh 3/8-16 x 3/4
46	819 09 14-16	Washer 9/32 x 7/8 x 16 Ga.
81	873 51 04-00	Nut Keps Hex 1/4-20 Starter Nut
105	817 12 06-16	Screw 3/8-16 x 1
116	532 18 43-62	Nut Hex Flange Toplock M8-1.25
117	532 18 86-54	Tube Exhaust

NOTE: All component dimensions given in U. S.
inches 1 inch = 25.4 mm

REPAIR PARTS

TRACTOR - MODEL NO. LT2115A (J2115AA), PRODUCT NO. 954 13 02-11 SEAT ASSEMBLY



seat_lt.knob_9

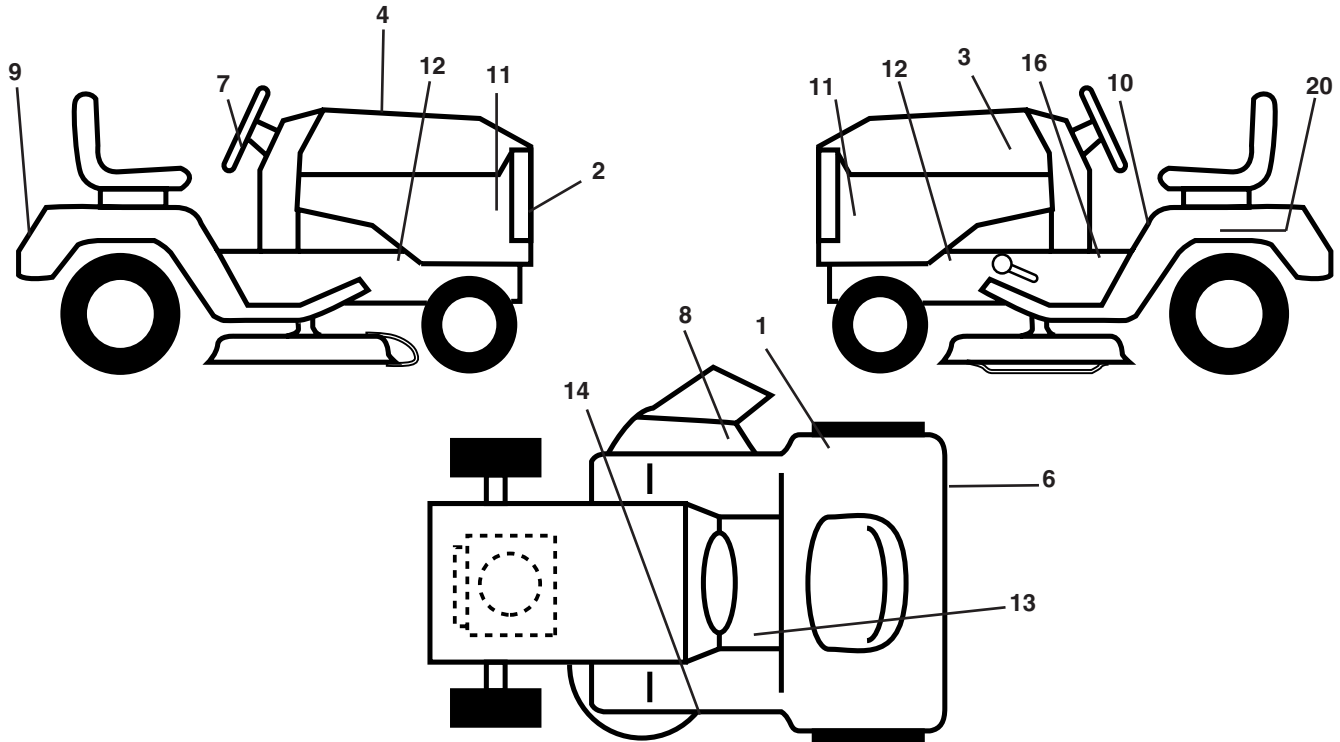
KEY NO.	PART NO.	DESCRIPTION
1	532 18 87-05	Seat
2	532 18 01-66	Bracket Pivot Seat
3	871 11 06-16	Bolt Fin Hex 3/8-16 unc x 1
4	819 13 16-10	Washer 13/32 x 1 x 10 Ga.
5	532 14 50-06	Clip Push-In
6	873 80 06-00	Nut Hex w/Ins. 3/8-16 unc
7	532 12 41-81	Spring Seat Cprsn 2 250 Blk Zi
8	817 00 06-16	Screw 3/8-16 x 1.5 SMGML
9	819 13 16-14	Washer 13/32 x 1 x 14 Ga.
10	532 18 01-86	Pan Seat
11	532 16 63-69	Knob Seat

KEY NO.	PART NO.	DESCRIPTION
12	532 12 12-46	Bracket Mounting Switch
13	532 12 12-48	Bushing Snap Blk Nyl 50 Id
14	872 05 04-12	Bolt Rdhd Sqnk 1/4-20 x 1-1/2
15	532 13 43-00	Spacer Split 28 x 96 Yel Zinc
16	532 12 12-50	Spring Cprsn 1.27 Blk Pnt
17	532 12 39-76	Nut Lock 1/4 Lge Fig Gr. 5 Zinc
21	532 17 18-52	Bolt SHLD 5/16-18 unc-2A
22	873 80 05-00	Nut Hex Lock W/Ins 5/16-18
24	819 17 19-12	Washer 17/32 x 1-3/16 x 12 Ga.

NOTE: All component dimensions given in U.S. inches.
1 inch = 25.4 mm

REPAIR PARTS

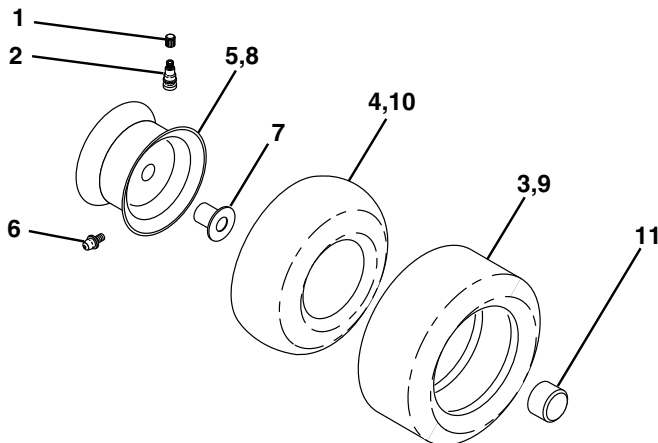
TRACTOR - MODEL NO. LT2115A (J2115AA), PRODUCT NO. 954 13 02-11
DECALS



KEY NO.	PART NO.	DESCRIPTION
1	532 18 04-32	Decal 100 DB/CE
2	532 18 51-85	Decal Grille
3	532 18 39-29	Decal Hood RH/LH
4	532 18 91-51	Decal Replacement
6	532 18 88-35	Decal Fender
7	532 17 58-84	Decal Ins. Strg Whl.
8	532 18 21-66	Decal Mower Cutfinger
9	532 18 39-30	Decal Fender Jonsered
10	532 14 54-98	Decal Read Owner's Manual Syms.
11	532 18 88-76	Decal Side Panel
12	532 15 97-36	Decal Chassis Hot Muffler

KEY NO.	PART NO.	DESCRIPTION
13	532 15 97-37	Decal Brake/Clutch Symbol LT
14	532 13 68-32	Decal V-Belt Schematic
16	532 14 08-37	Decal Saddle Brake Parking
20	532 14 50-05	Decal Bat Dan/Psn
--	532 16 69-60	Decal Bypass
--	532 16 25-98	Decal Drawbar Load Limit
--	532 18 82-52	Pad Footrest LH STLT
--	532 18 82-53	Pad Footrest RH STLT
--	532 13 83-11	Decal Handle Lift Height Adjust
--	532 18 86-24	Manual Operator's (Euro.)
--	532 18 86-25	Manual Operator's (Scan.)

WHEELS & TIRES

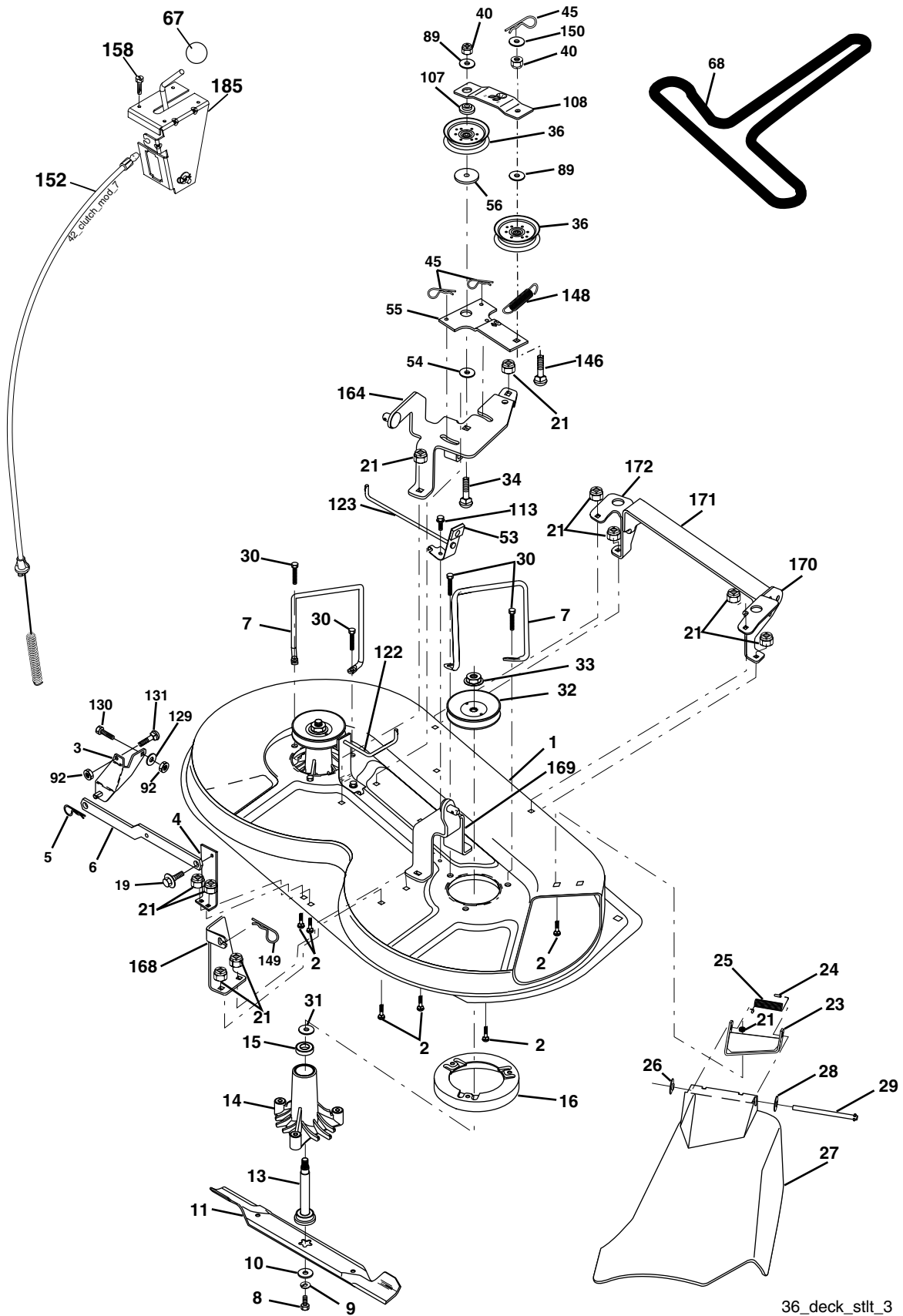


KEY NO.	PART NO.	DESCRIPTION
1	532 05 91-92	Cap Valve Tire
2	532 06 51-39	Stem Valve
3	532 10 62-22	Tire F Ts 15 x 6 0 - 6 Service
4	532 05 99-04	Tube Front (Service Item Only)
5	532 13 83-36	Rim Asm 6" front Silver Service
6	532 12 49-57	Fitting Grease (Front Wheel Only)
7	532 12 49-59	Bearing Flange (Front Wheel Only)
8	532 13 83-37	Rim Asm 8" rear Silver Service
9	532 10 62-68	Tire R Ts 18 x 9 5-8 C Service
10	532 12 49-26	Tube Rear (Service Item Only)
11	532 17 50-39	Cap Axle Blk 1 50 x 1 00
--	532 14 43-34	Sealant, Tire (10 oz. Tube)

NOTE: All component dimensions given in U.S. inches
1 inch = 25.4 mm

REPAIR PARTS

TRACTOR - MODEL NO. LT2115A (J2115AA), PRODUCT NO. 954 13 02-11
MOWER DECK



36_deck_stlt_3

REPAIR PARTS

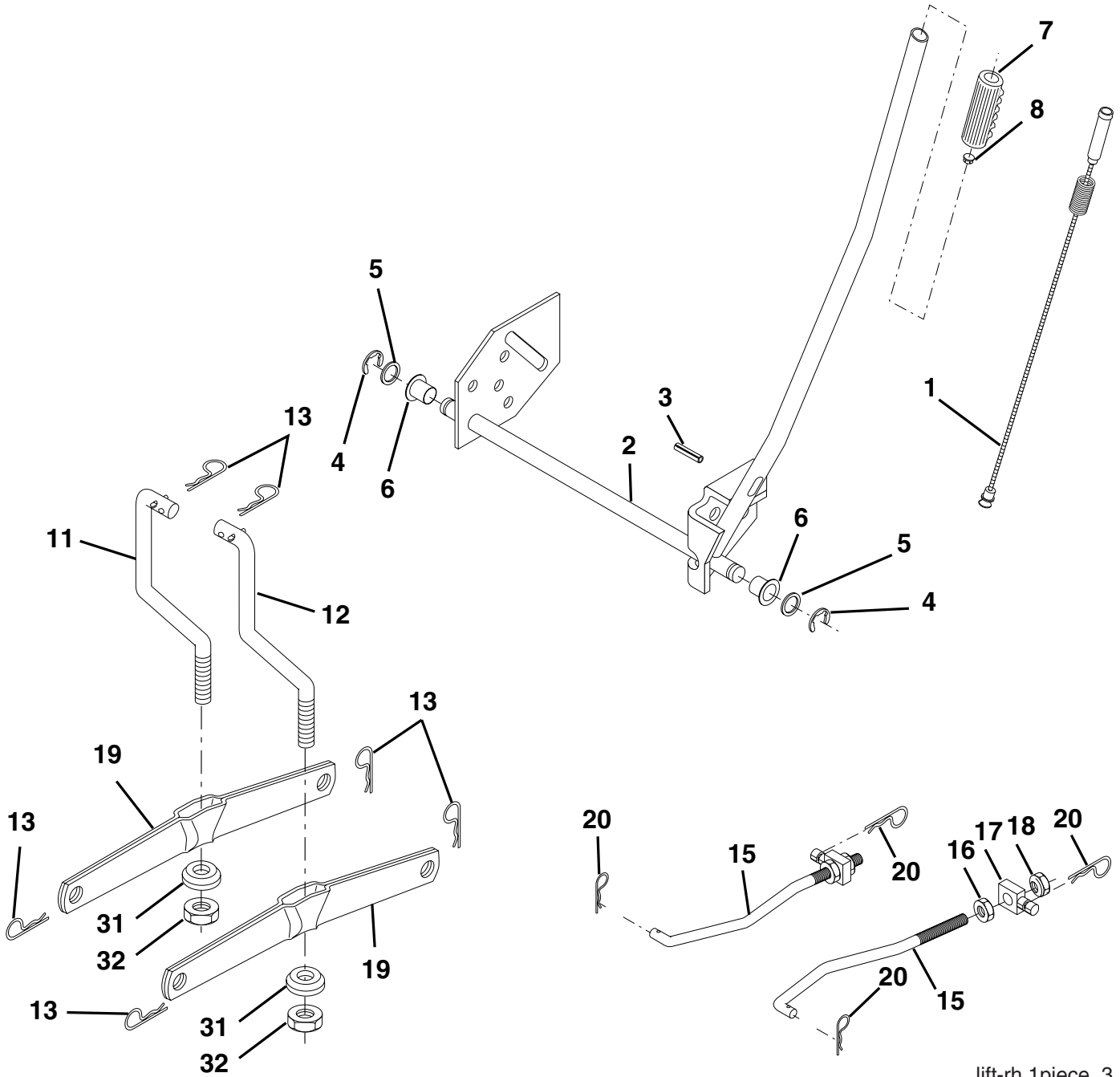
TRACTOR - MODEL NO. LT2115A (J2115AA), PRODUCT NO. 954 13 02-11 MOWER DECK

KEY NO.	PART NO.	DESCRIPTION	KEY NO.	PART NO.	DESCRIPTION
1	532 17 45-95	Mower Deck Assembly	56	532 16 57-23	Spacer, Retainer
2	872 14 05-06	Bolt	67	532 10 69-32	Knob RD 3/8-16 Plstc Thd
3	532 13 80-17	Bracket Assembly, Sway Bar	68	532 18 02-13	Belt
4	532 17 56-54	Bracket Sway Bar	89	819 13 13-11	Washer 13/32 x 13/16 x 11 Ga.
5	532 12 46-70	Retainer Spring	92	873 80 06-00	Nut Lock Hex w/Ins. 3/8-16 unc
6	532 17 80-24	Bar, Sway Deck	107	532 13 35-02	Spacer, Retainer
7	532 14 06-08	Keeper Belt	108	532 13 35-03	Stiffener, Idler Arm
8	532 85 08-57	Bolt, Hex 3/8-24 x 1.25 Gr. 8	113	817 49 05-08	Screw Thdrol 5/16-18 x 1/2
9	810 03 06-00	Washer, Lock Hvy Hlcl 3/8	122	532 17 45-05	Rod, Brake, LH
10	532 14 02-96	Washer, Hardened	123	532 17 45-04	Rod, Brake, RH
11	532 13 84-96	Blade, Mower	129	819 13 13-12	Washer 13/32 x 13/16 x 12 Ga.
13	532 13 76-45	Shaft Assembly, Mandrel	130	874 78 06-16	Bolt Fin Hex 3/8-16 unc x 1 Gr. 5
14	532 12 87-74	Housing, Mandrel, Vented	131	872 14 06-08	Bolt RdHd Sqnk 3/8-16 unc x 1
15	532 11 04-85	Bearing, Ball, Mandrel	146	532 16 58-91	Bolt Carriage Idler
16	532 17 44-93	Stripper, Mower Deck	148	532 16 90-22	Spring Return Idler
19	532 13 28-27	Bolt, Shoulder	149	532 16 58-98	Retainer Spring Yellow Zinc
21	873 68 05-00	Nut Crownlock 5/16-18	150	819 09 12-10	Washer 9/32 x 3/4 x 10 Ga.
23	532 13 66-31	Bracket, Mower Deflector	152	532 17 60-79	Cable Clutch
24	532 10 53-04	Cap, Sleeve	158	817 72 04-08	Screw Hex Thd Cut 1/4-20 x 1/2
25	532 12 37-13	Spring, Torsion, Deflector	164	532 17 49-76	Bracket Asm Idler Support
26	532 11 04-52	Nut, Push	168	532 17 23-77	Bracket Deck Cable
27	532 17 61-62	Shield, Deflector	169	532 17 49-77	Bracket Asm Suspension
28	819 11 10-16	Washer 11/32 x 5/8 x 16 Ga.	170	532 17 23-59	Bracket Suspension RF
29	532 12 19-80	Rod, Hinge	171	532 16 52-37	Brace Support Susp. Frt
30	532 17 39-84	Screw Thdrol	172	532 17 23-55	Bracket Suspension LF
31	532 18 76-90	Washer, Spacer	185	532 18 82-34	Head Asm Cable Clutch
32	532 15 35-31	Pulley, Mandrel	--	532 13 07-94	Mandrel Assembly (Includes Housing, Shaft and Shaft Hardware Only - Pulley Not Included)
33	532 17 83-42	Nut, Toplock, Flanged	--	532 18 13-76	Replacement Mower, Complete
34	872 11 06-14	Bolt Rdhd 3/8-16 x 1-3/4			
36	532 13 14-94	Pulley, Idler, Flat			
40	873 68 06-00	Nut Crownlock 3/8-16			
45	532 12 47-88	Retainer, Spring			
53	532 13 08-40	Brake Assembly			
54	532 17 85-15	Washer, Hardened			
55	532 13 38-40	Idler Arm Assembly			

NOTE: All component dimensions given in U.S. inches
1 inch = 25.4 mm

REPAIR PARTS

TRACTOR - MODEL NO. LT2115A (J2115AA), PRODUCT NO. 954 13 02-11
MOWER LIFT



lift-rh.1piece_3

REPAIR PARTS

TRACTOR - MODEL NO. LT2115A (J2115AA), PRODUCT NO. 954 13 02-11
MOWER LIFT

KEY NO.	PART NO.	DESCRIPTION
1	532 15 94-60	Washer Asm Inner Spring W/Plunger
2	532 15 94-71	Shaft Asm. Lift
3	532 10 57-67	Pin Groove
4	812 00 00-02	E Ring #5133-62
5	819 21 16-21	Washer 21/32 x 1 x 21 Ga.
6	532 12 01-83	Bearing Nylon
7	532 10 94-13	Grip Handle
8	532 12 23-65	Button Plunger
11	532 13 98-65	Link Lift LH
12	532 13 98-66	Link Lift RH
13	532 12 46-70	Retainer Spring
15	532 17 32-88	Link Front
16	873 35 08-00	Nut Jam Hex 1/2-13 unc
17	532 17 56-89	Trunnion
18	873 80 08-00	Nut Lock W/Wsh 1/2-13 unc
19	532 13 98-68	Arm Suspension Mower
20	532 16 35-52	Retainer Spring
31	532 16 98-65	Bearing Pvt. Lift
32	873 54 06-00	Nut Crownlock 3/8-24

NOTE: All component dimensions given in U.S. inches
1 inch = 25.4 mm