

LT2122 A

Spare parts

Ersatzteile

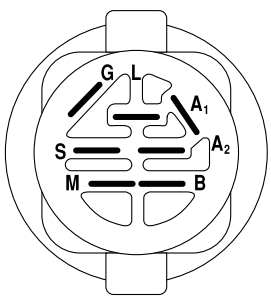
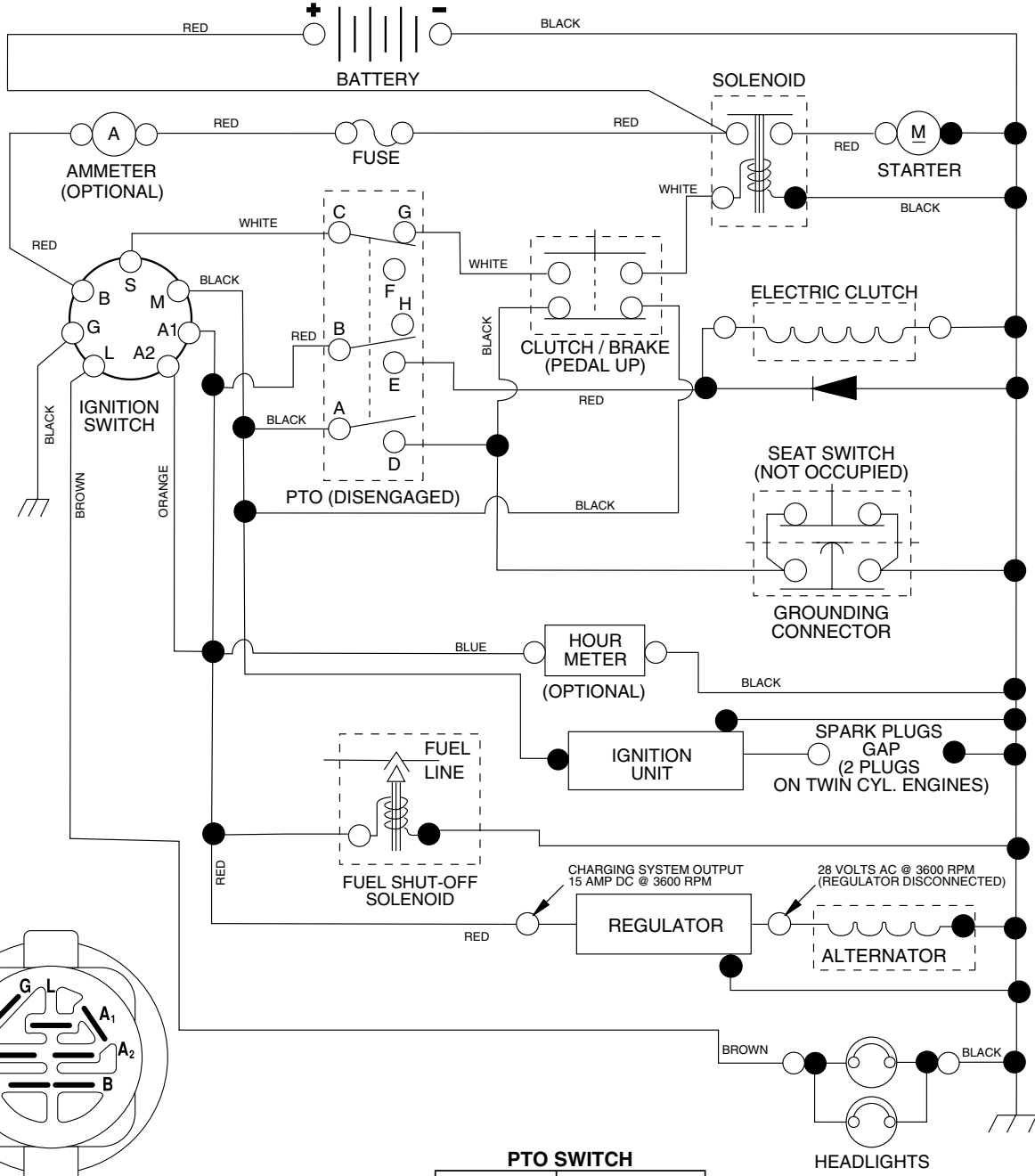
Pièces détachées

Reserve onderdelen

Repuestos

Reservdelar

TRACTOR - MODEL NUMBER LT2122A (J2122AB), PRODUCT NO. 954 13 02-14 SCHEMATIC

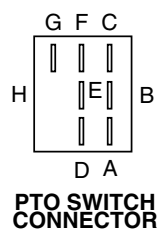
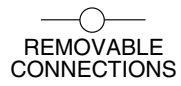


IGNITION SWITCH

POSITION	CIRCUIT	"MAKE"
OFF	M + G + A1	NONE
ON + LIGHTS	B + A1	L + A2
ON	B + A1	NONE
START	B + S + A1	NONE

PTO SWITCH

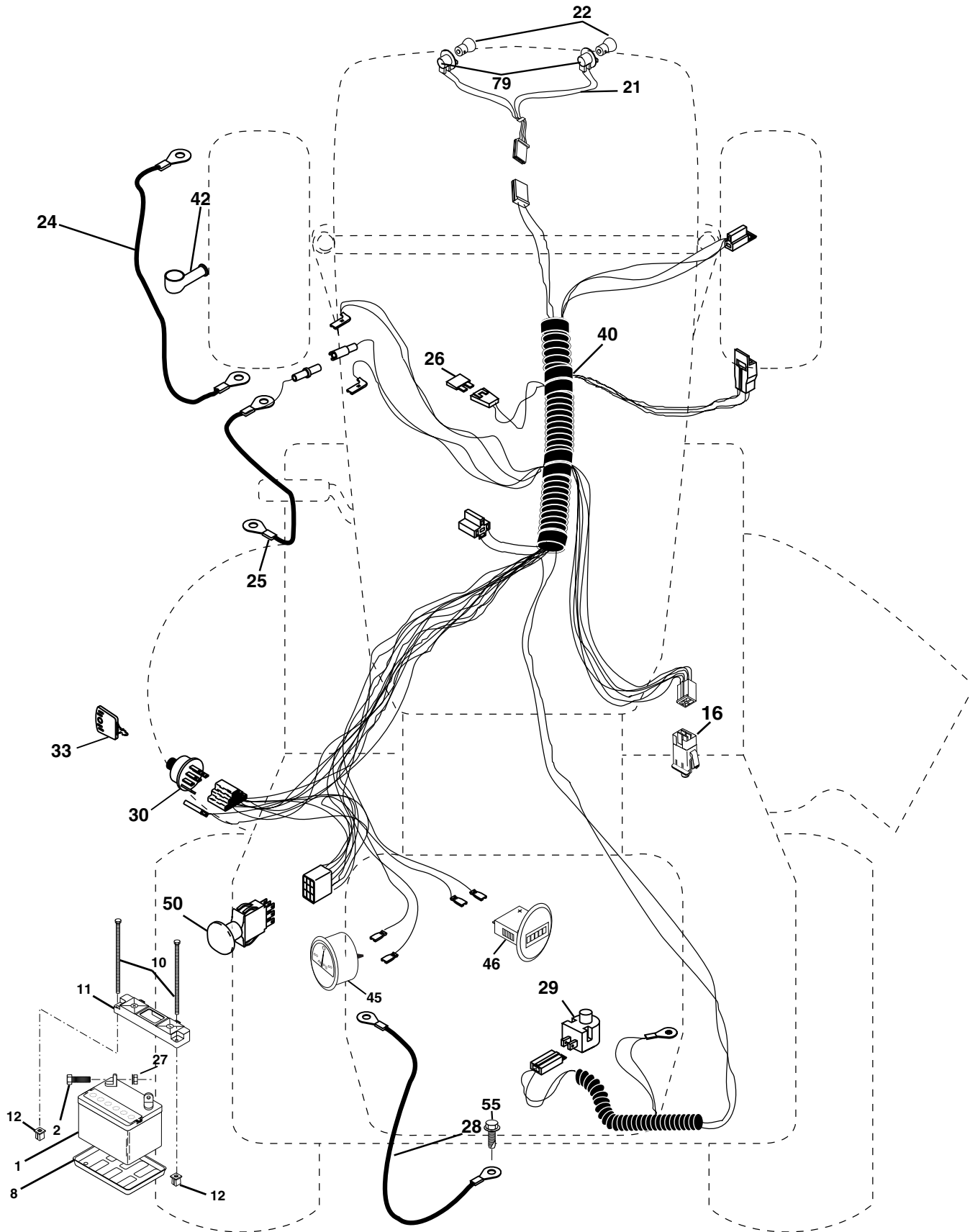
POSITION	CIRCUIT
OFF	C + G, B + H
ON	C + F, B + E, A + D



WIRING INSULATED CLIPS
NOTE: IF WIRING INSULATED CLIPS WERE REMOVED FOR SERVICING OF UNIT, THEY SHOULD BE REPLACED TO PROPERLY SECURE YOUR WIRING.

REPAIR PARTS

TRACTOR - MODEL NUMBER LT2122A (J2122AB), PRODUCT NO. 954 13 02-14
ELECTRICAL



REPAIR PARTS

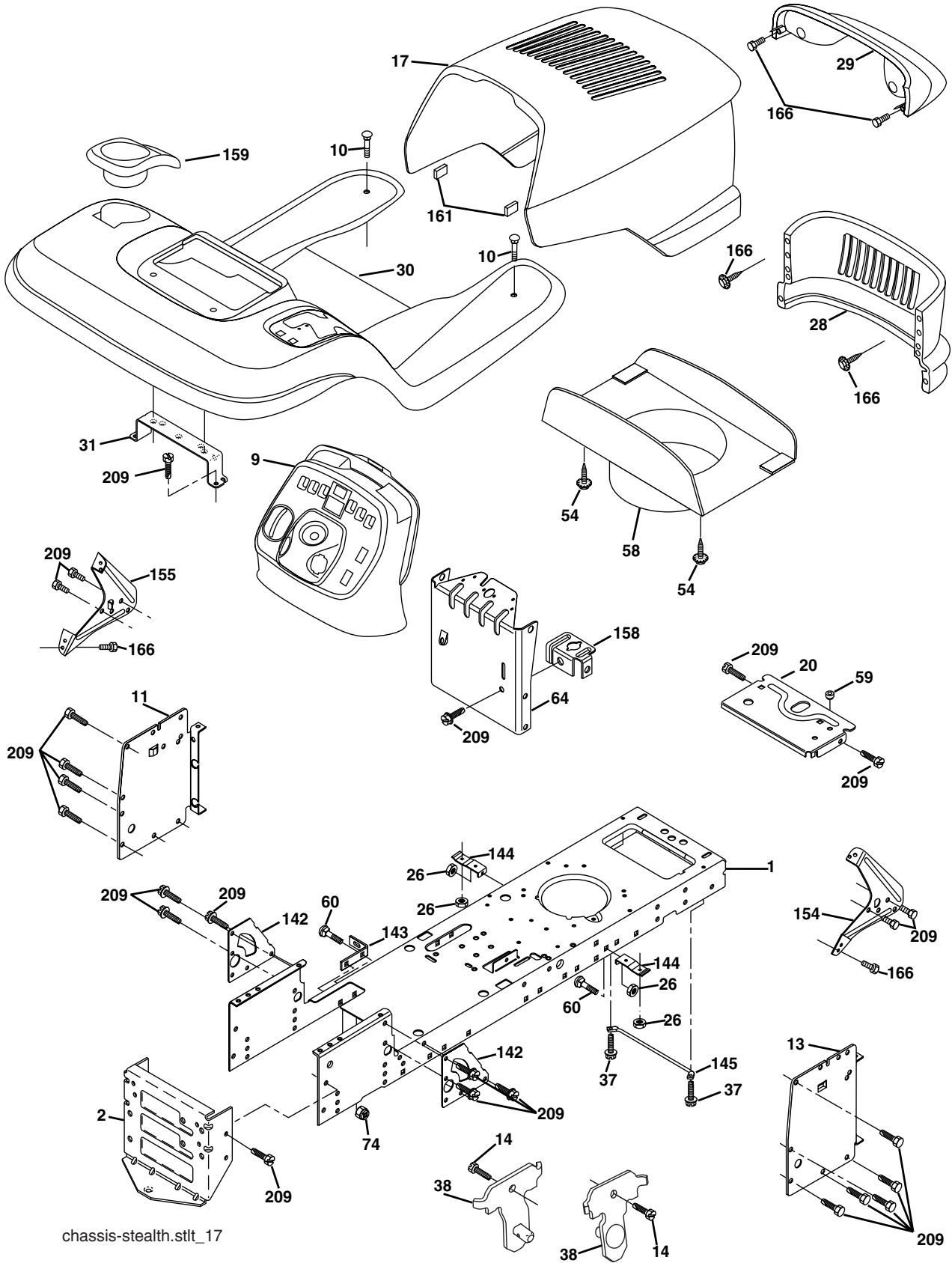
TRACTOR - MODEL NUMBER LT2122A (J2122AB), PRODUCT NO. 954 13 02-14
ELECTRICAL

KEY NO.	PART NO.	DESCRIPTION
1	532 14 49-27	Battery
2	874 76 04-12	Bolt Hex Hd 1/4-20 unc x 3/4
8	532 12 48-86	Tray Brty 7.80 x 5.25 Blk
10	532 14 52-11	Bolt Btr Frt 1/4-20 x 7.5 zinc
11	532 15 01-09	Holddown Battery mount
12	532 14 57-69	Nut Push Nylon 1/4 Battery Frt.
16	532 17 61-38	Switch Interlock Push-In
21	532 17 56-88	Harness Asm Light W/4152j
22	532 00 41-52	Bulb Light #1156
24	532 00 88-60	Cable Battery 6 Ga 17" red
25	532 18 68-46	Cable Battery 6 Ga w/Pos Wire
26	532 17 51-58	Fuse
27	873 51 04-00	Nut Keps Hex 1/4-20 unc
28	532 14 54-91	Cable Ground 21" Blk 6 Ga 90T
29	532 16 07-84	Switch Plunger Normal OP Olive
30	532 17 55-66	Switch Ign
33	532 14 04-01	Key Ign
40	532 18 80-30	Harness Ign.
42	532 15 43-36	Cover Terminal Red
45	532 17 75-00	Ammeter
46	532 17 75-01	Meter Hour
50	532 17 46-51	Switch PTO
55	817 49 05-08	Screw Thdrol 5/16-18 x 1/2 Typ
79	532 17 52-42	Bulbholder

NOTE: All component dimensions given in U.S. inches
1 inch = 25.4 mm.

REPAIR PARTS

TRACTOR - MODEL NUMBER LT2122A (J2122AB), PRODUCT NO. 954 13 02-14
CHASSIS AND ENCLOSURES



chassis-stealth.stlt_17

REPAIR PARTS

TRACTOR - MODEL NUMBER LT2122A (J2122AB), PRODUCT NO. 954 13 02-14 CHASSIS AND ENCLOSURES

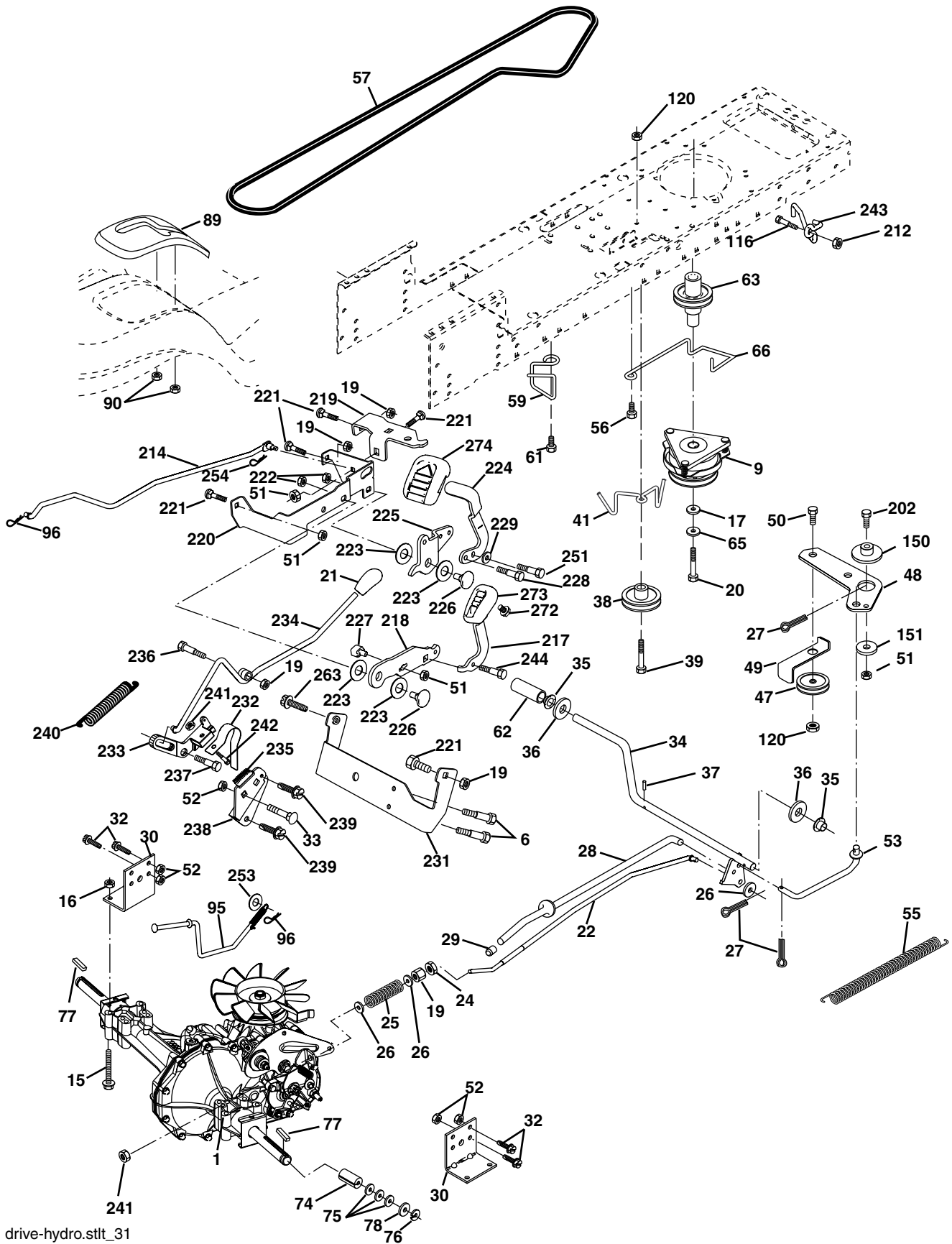
KEY NO.	PART NO.	DESCRIPTION
1	532 17 46-19	Chassis Stamping
2	532 17 65-54	Drawbar
9	532 19 13-39	Dashboard
10	872 14 06-08	Bolt Rdhd Sqnk 3/8-16 unc x 1
11	532 16 72-03	Panel Dash Lh
13	532 17 82-98	Panel Dash Rh
14	817 49 06-08	Screw Thdrol 3/8-16 x 1/2
17	532 18 13-51	Hood
20	532 16 20-26	Plate Mtg Battery/Fuel Tank
26	873 80 06-00	Nut Lock w/Insert 3/8-16 unc
28	532 18 13-52	Grille Lens Asm
29	532 17 97-61	Light Box Asm (w/Lens)
30	532 18 13-53	Fender
31	532 13 99-76	Bracket
37	817 49 05-08	Screw Thdrol 5/16-18 x 1/2
38	532 17 57-10	Bracket Asm Pivot Mower Rear
54	532 16 14-64	Screw Hex Wshd 8-18 x 7/8
58	532 17 53-51	Duct Air
59	532 18 74-95	Bushing Snap
60	872 14 06-06	Bolt RDHD SQNK 3/8-16 x 3/4
64	532 17 49-97	Dash Lower Stlt
74	873 68 06-00	Nut Crownlock 3/8-16
142	532 17 57-02	Plate Reinforcement
143	532 18 66-89	Bracket Swaybar Chassis
144	532 17 55-82	Bracket Ft Rest
145	532 15 65-24	Rod Pivot Chassis Hood
154	532 16 18-97	Bracket Dash RH
155	532 16 19-00	Bracket Dash LH
158	532 16 20-37	Parking Brake Brkt
159	532 18 13-55	Cupholder YTGT Grey
161	532 16 46-55	Extrusion Bumper
166	532 17 18-75	HWHDH:-Lo. #13-16 x 3/4
209	817 00 06-12	Screw Hexwsh Thdr 3/8-16 c-x 3/4
--	532 18 78-01	Plug Dome

NOTE: All component dimensions given in U. S. inches
1 inch = 25.4 mm

REPAIR PARTS

TRACTOR - MODEL NUMBER LT2122A (J2122AB), PRODUCT NO. 954 13 02-14

DRIVE



drive-hydro.stlt_31

REPAIR PARTS

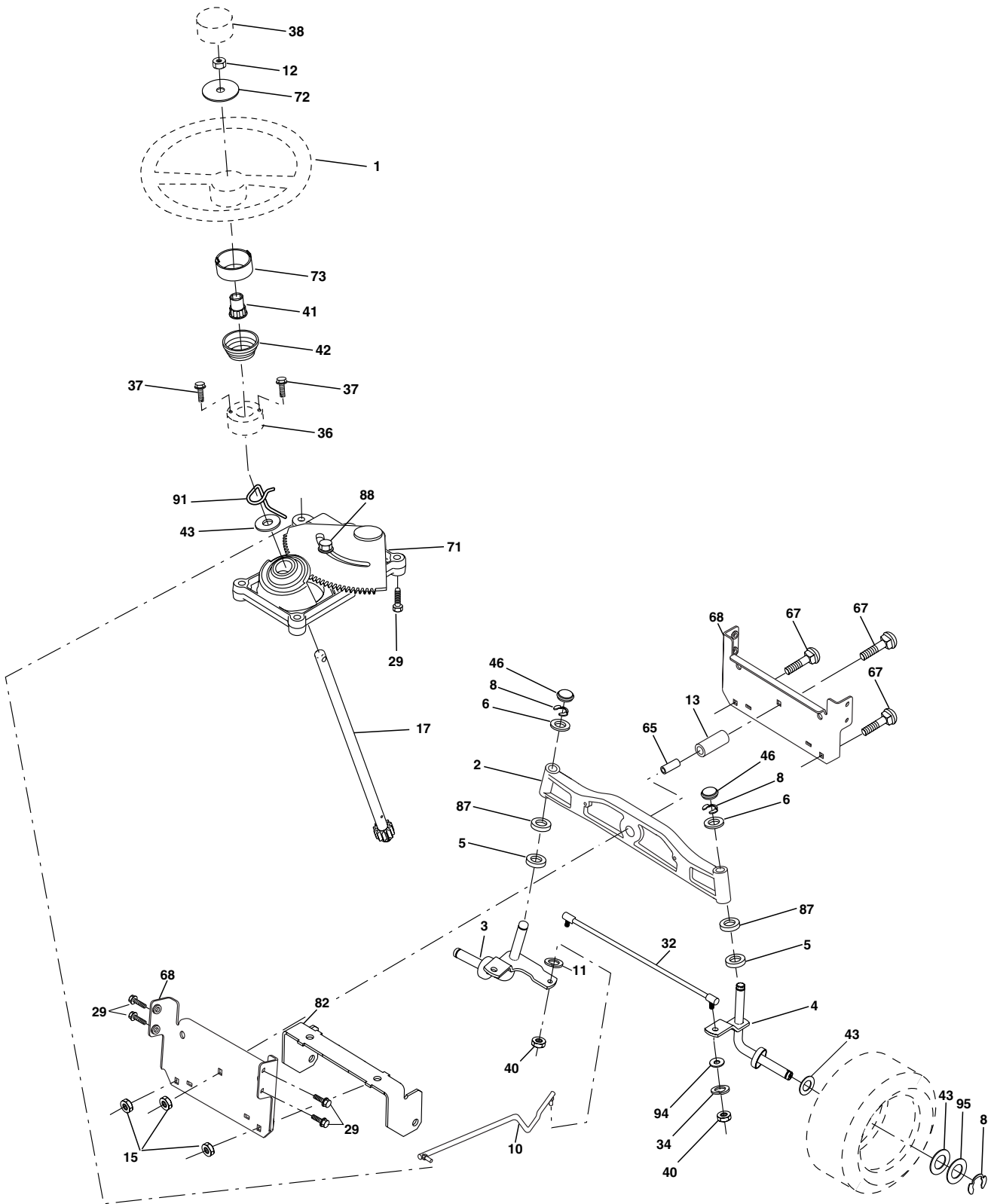
TRACTOR - MODEL NUMBER LT2122A (J2122AB), PRODUCT NO. 954 13 02-14 DRIVE

KEY NO.	PART NO.	DESCRIPTION	KEY NO.	PART NO.	DESCRIPTION
1	-----	Transaxle (Order parts from trans-axle manufacturer) Hydro Gear Model 336-0510	78	532 12 17-48	Washer 25/32 x 1-5/8 x 16 Ga.
6	817 06 05-12	Screw 5/16-18 x 3/4	89	532 18 14-53	Console, Shift
9	532 17 93-34	Clutch Elec	90	532 12 43-46	Nut Self-Thd Wsh-hd 1/4 Zinc
15	874 49 05-44	Bolt Hex Flghd 5/16-18 Gr. 5	95	532 18 08-25	Bypass Asm
16	873 80 05-00	Nut Lock Hex W/Ins. 5/16-18 unc	96	532 12 47-88	Retainer Spring 1" Zinc/Cad
17	532 12 61-97	Washer 1-1/2 OD x 15/32 ID x .250	116	872 14 06-08	Bolt RDHD SQNK 3/8-16 unc x 1
19	873 80 06-00	Nut Lock Hex W/Wsh 3/8-16 Unc	120	873 90 06-00	Nut Lock Flg 3/8-16 unc
20	532 17 39-37	Bolt Hex 7/16-20 x 4 x Gr. 5-1.5	150	532 17 54-56	Spacer Retainer
21	532 18 14-54	Knob Custom Control Cruise	151	819 13 32-10	Washer 13/32 x 2 x 10 Ga.
22	532 17 58-96	Rod, Brake	202	872 11 06-14	Bolt Rdhd 3/8-16 x 1-3/4 Gr. 5
24	873 35 06-00	Nut, Hex Jam 3/8-16 unc	212	532 14 52-12	Nut HexFlange Lock
25	532 10 68-88	Spring, Brake Rod	214	532 17 47-35	Link Transaxle
26	819 13 13-16	Washer	217	532 17 94-33	Pedal Reverse Asm
27	876 02 04-12	Pin Cotter 1/8 x 3/4 CAD.	218	532 17 47-13	Arm Control Pedal Reverse
28	532 17 57-65	Rod, Parking Brake	219	532 17 48-39	Bracket Frest Pdl Ctrl. Hyd
29	532 07 16-73	Cap, Brake, Park	220	532 17 47-11	Bracket Mtg. Pedal Control
30	532 16 95-92	Bracket, Transaxle	221	872 14 06-06	Bolt Rdhd Sqnk 3/8-16 unc x 3/4
32	874 76 05-12	Bolt Hex Hd 5/16-18 unc x 3/4	222	873 68 07-00	Nut Crownlock 7/16-14 unc
33	872 14 05-06	Bolt Rdhd Sqnk 5/16-18 unc x 3/4	223	532 17 48-40	Washer Nylon 11/16 ID x .060
34	532 17 55-78	Shaft, Foot Pedal	224	532 17 47-36	Pedal Forward
35	532 12 01-83	Bearing, Nylon	225	532 17 47-12	Arm Control Pedal Forward
36	819 21 16-16	Washer	226	532 17 49-02	Bolt Pivot Spacer
37	532 12 49-63	Pin, Roll	227	532 17 47-10	Cam Reverse Pedal LT
38	532 17 91-14	Pulley, Composite, Flat	228	532 17 90-32	Bolt Shoulder 5/16-18
39	872 11 06-22	Bolt Rdhd 3/8-16 unc x 2-3/4 Gr. 5	229	532 17 64-51	Washer Serrated 5/16 x .75
41	532 17 55-56	Keeper, Belt Idler Flat	231	532 17 45-73	Strap Torque
47	532 12 77-83	Pulley, Idler, V-Groove	232	532 17 55-70	Actuator Cruise Disengage
48	532 15 44-07	Bellcrank Clutch Grnd Drw Stl	233	532 17 48-56	Pawl Control Cruise
49	532 12 32-05	Retainer, Belt	234	532 17 48-58	Lever Control Cruise
50	872 11 06-12	Bolt	235	532 17 48-57	Sector Control Cruise
51	873 68 06-00	Nut Crownlock 3/8-16 unc	236	532 12 89-03	Bolt Shoulder 3/8-16 unc 1/44
52	873 68 05-00	Nut, Crownlock 5/16-18 unc	237	532 17 01-65	Bolt Shoulder 5/16-18
53	532 10 57-10	Link, Clutch	238	532 17 58-07	Arm Mtg. Cruise Sector
55	532 10 57-09	Spring, Return, Clutch	239	817 49 05-08	Screw Thdrol 5/16 x 1/2
56	817 06 06-20	Screw 3/8-16 x 1-1/4	240	532 17 56-10	Spring Return Cruise Control
57	532 14 02-94	V-Belt, Ground Drive	241	873 93 04-00	Nut Centerlock 1/4-20 unc
59	532 16 96-91	Keeper, Center Span	242	874 78 04-12	Bolt Fin Hex 1/4-20 unc x .75
61	817 12 06-14	Screw 3/8-16 x .875	243	532 17 82-89	Bracket Anti-Rotation CVX
62	532 12 48-72	Cover, Pedal	244	817 49 05-10	Screw 5/16-18 x 5/8
63	532 17 46-07	Pulley, Engine	251	817 06 05-16	Screw 5/16-18 x 1
65	810 04 07-00	Washer	253	532 17 94-22	Washer .3125 x .615 x 16 Ga.
66	532 15 47-78	Keeper Belt Engine	254	532 17 80-62	Clip Retainer
74	532 13 70-57	Spacer, Axle	271	817 00 06-12	Screw Hexwsh Thdr 3/8-16 x 3/4
75	532 12 17-49	Washer 25/32 x 1-1/4 x 16 Ga.	272	817 67 05-08	Screw Thdrol 5/16-18 x 1/2
76	812 00 00-01	E-Ring	273	532 17 96-10	Pad Pedal Reverse
77	532 12 35-83	Key, Square	274	532 17 56-46	Cover Pedal Forward

NOTE: All component dimensions given in U.S. inches
1 inch = 25.4 mm.

REPAIR PARTS

TRACTOR - MODEL NUMBER LT2122A (J2122AB), PRODUCT NO. 954 13 02-14
STEERING ASSEMBLY



steering_stealth_prem_7

REPAIR PARTS

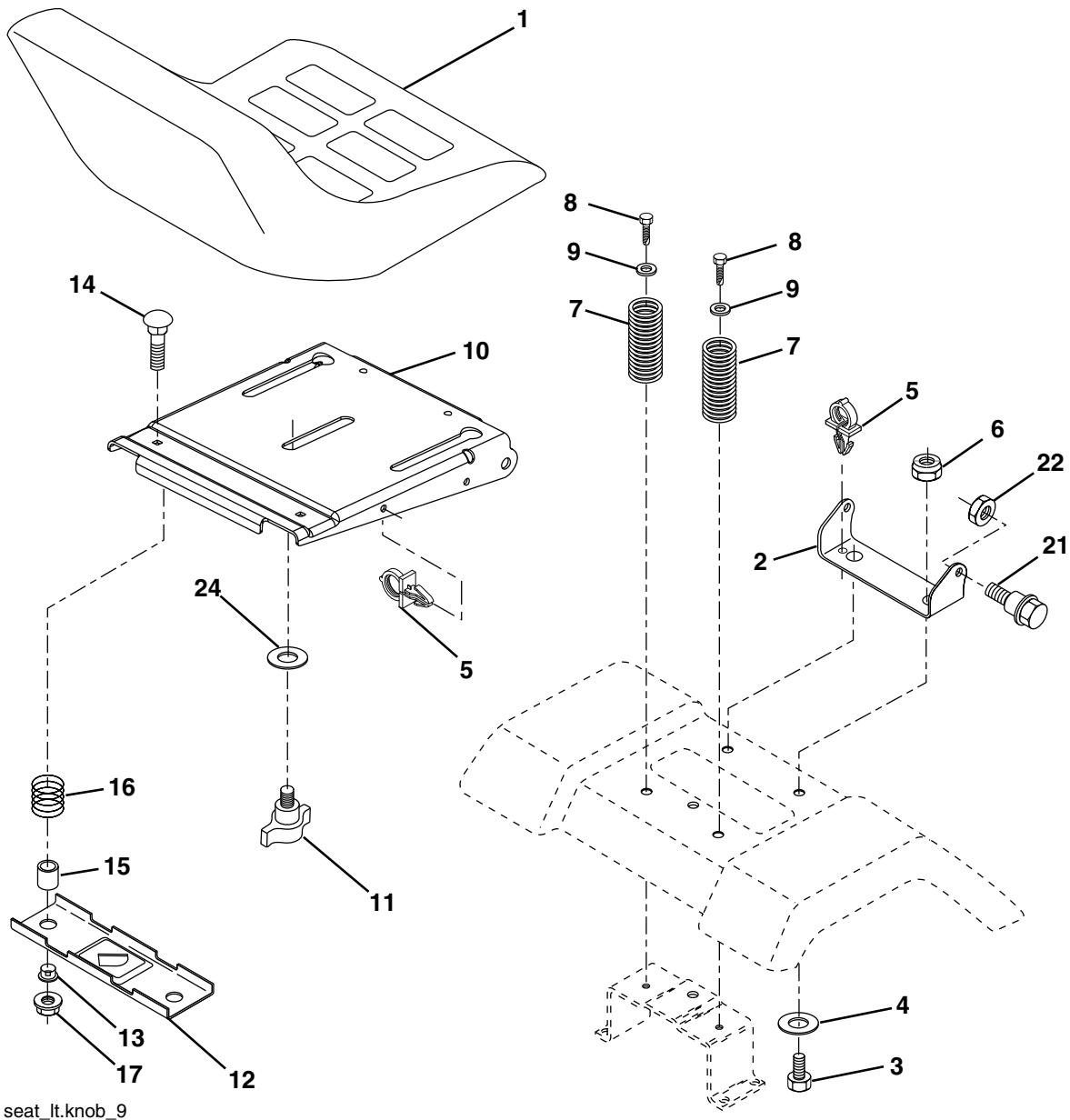
TRACTOR - MODEL NUMBER LT2122A (J2122AB), PRODUCT NO. 954 13 02-14 STEERING ASSEMBLY

KEY NO.	PART NO.	DESCRIPTION
1	532 17 20-92	Wheel Steering
2	532 18 47-06	Axle Casting Iron Lt
3	532 16 98-40	Spindle Asm LH
4	532 16 98-39	Spindle Asm RH
5	532 12 49-31	Washer Thrust .75 x 1.230
6	532 12 17-48	Washer 25/32 x 1-5/8 x 16 Ga
8	812 00 00-29	Ring Klip #t5304-75
10	532 17 51-21	Draglink
11	810 04 06-00	Washer Lock Hvy Hlcl Spr 3/8
12	873 94 08-00	Nut Hex Jam Toplock 1/2-20 unf
13	532 13 65-18	Spacer Bearing Axle Front
15	532 14 52-12	Nut Hex Flange Lock
17	532 17 78-83	Shaft Asm Strg
29	817 00 06-12	Screw 3/8-16 x 3/4
32	532 18 05-80	Rod Asm Tie
34	810 04 06-00	Washer Lock Hvy HLCL Spr. 3/8
36	532 15 51-05	Bushing Strg
37	532 15 29-27	Screw TT #32.5 x 5 x 3/8 Flange
38	532 17 20-93	Insert Cap Strg Wh
40	873 54 06-00	Nut Crownlock 3/8-24
41	532 15 99-45	Adaptor Wheel Strg
42	532 17 71-49	Boot Steering
43	532 12 17-49	Washer 25/32 x 1 1/4 x 16 Ga.
46	532 12 12-32	Cap Spindle Fr Top Blk
65	532 16 03-67	Spacer Axle Brace
67	872 11 06-18	Bolt Rdhd Sqnk 3/8-16 unc x 2-1/4
68	532 16 98-27	Brace Axle
71	532 17 51-46	Steering Asm.
72	819 18 24-11	Washer 9/16ID x 1-1/2 OD 11G Zin
73	532 18 14-49	Extension Steering Premuim
82	532 16 98-35	Bracket Susp Chassis Front
87	532 17 39-66	Washer Flat .781 x 1-1/2 x .14
88	532 17 51-18	Bolt Shoulder 7/16-20
91	532 17 55-53	Clip Steering
94	819 12 14-14	Washer 3/8 x 7/8 x 14 Ga.
95	532 18 89-67	Washer Harden .793 x 1.637 x 060

NOTE: All component dimensions given in U.S. inches
1 inch = 25.4 mm.

REPAIR PARTS

TRACTOR - MODEL NUMBER LT2122A (J2122AB), PRODUCT NO. 954 13 02-14 SEAT ASSEMBLY



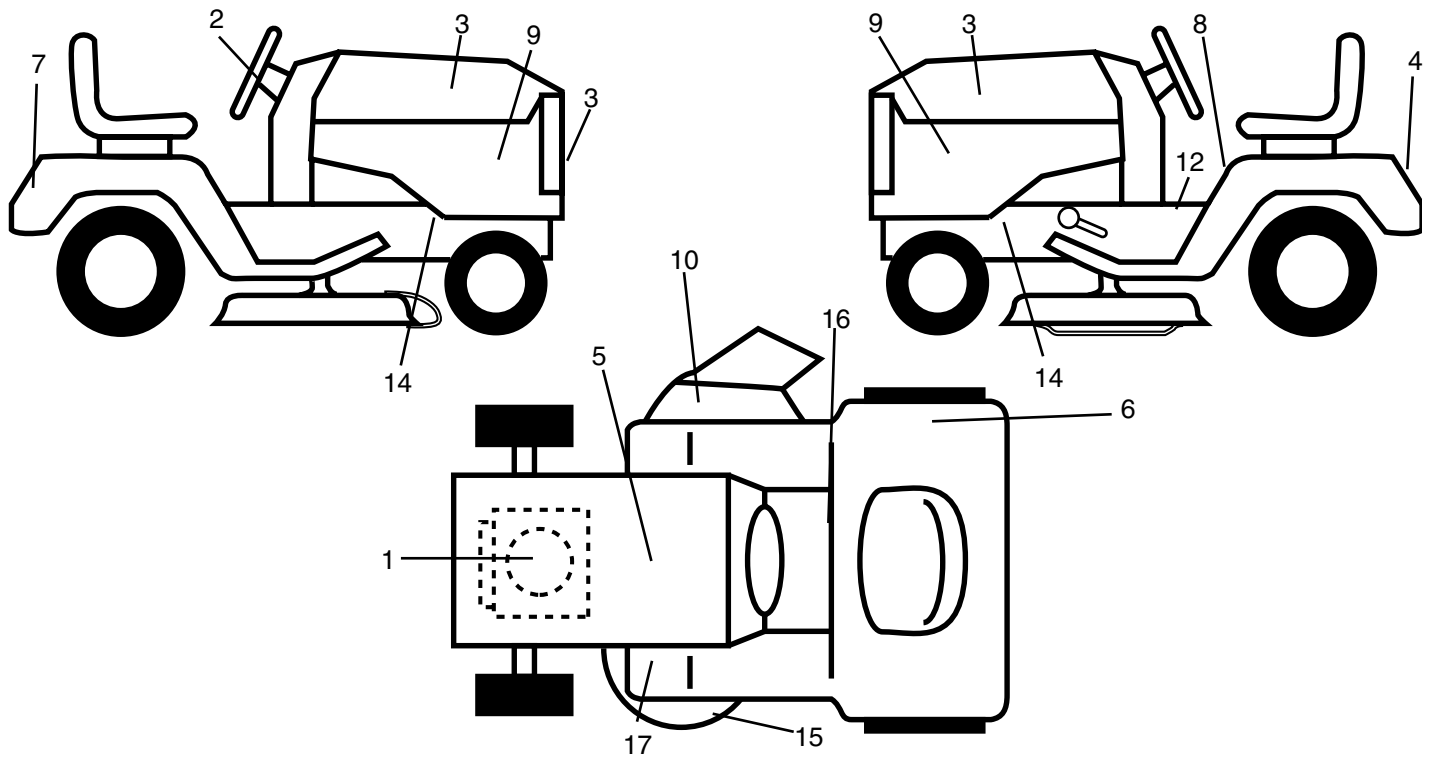
seat_lt.knob_9

KEY NO.	PART NO.	DESCRIPTION	KEY NO.	PART NO.	DESCRIPTION
1	532 18 87-06	Seat	12	532 12 12-46	Bracket Mounting Switch
2	532 18 01-66	Bracket Pivot	13	532 12 12-48	Bushing Snap Blk Nyl 50 Id
3	871 11 06-16	Bolt Hex 3/8-16 unc x 1	14	872 05 04-12	Bolt Rdhd Sht Nk 1/4-20 x 1-1/2
4	819 13 16-10	Washer 13/32 x 1 x 10 Ga	15	532 12 12-49	Spacer Split 28x 88 Yel Zinc
5	532 14 50-06	Clip Push-In Hinged	16	532 12 37-40	Spring Cprsn 1 310 Blk Pnt
6	873 80 06-00	Nut Lock Hex w/Ins. 3/8-16 unc	17	532 12 39-76	Nut Lock 1/4 Lge Flg Gr. 5 Zinc
7	532 12 41-81	Spring Seat Cprsn 2 250 Blk Zi	21	532 17 18-52	Bolt Shoulder 5/16-18 unc-2A
8	817 00 06-16	Screw 3/8-16 x 1	22	873 80 05-00	Nut Lock Hx W/Ins 5/16-18 unc
9	819 13 16-14	Washer 13/32 x 1 x 14 Ga.	24	819 17 19-12	Washer 17/32 x 1-3/16 x 12 Ga.
10	532 18 01-86	Pan Seat			
11	532 16 63-69	Knob Seat			

NOTE: All component dimensions given in U.S. inches
1 inch = 25.4 mm.

REPAIR PARTS

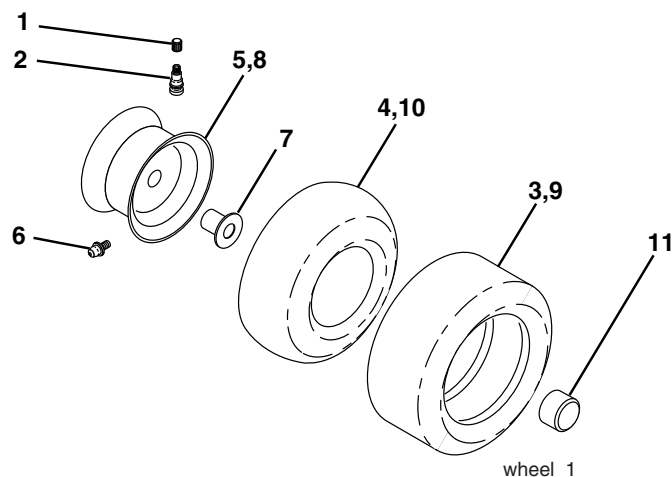
TRACTOR - MODEL NUMBER LT2122A (J2122AB), PRODUCT NO. 954 13 02-14
DECALS



KEY NO.	PART NO.	DESCRIPTION
1	532 18 91-55	Decal Engine
2	532 18 57-73	Decal Ins. Strg. Whl.
3	532 18 95-53	Decal Hood
4	532 18 88-34	Decal Fender
5	532 14 50-05	Decal Btry DNGR/PSN P/L Sym.
6	532 18 04-33	Decal 105 DBA
7	532 18 39-30	Decal Fender
8	532 14 54-98	Decal Read Owners Manual
9	532 18 88-76	Decal Side Panel
10	532 18 21-66	Decal Mower Cuttingfnger
12	532 14 08-37	Decal Saddle Brake Parking

KEY NO.	PART NO.	DESCRIPTION
14	532 15 97-36	Decal Chassis Hot Muffler
15	532 17 52-91	Decal V-Belt
16	532 17 83-02	Decal Oper Cruise
17	532 15 97-37	Decal Brake/Clutch Symbol LT
--	532 16 25-98	Decal Drawbar Load Limit
--	532 16 69-60	Decal By Pass Lt Hydro
--	532 18 14-47	Pad Footrest LH STLT
--	532 18 14-48	Pad Footrest RH STLT
--	532 19 15-91	Manual Oper. Euro.
--	532 19 15-92	Manual Oper. Scan.

WHEELS & TIRES

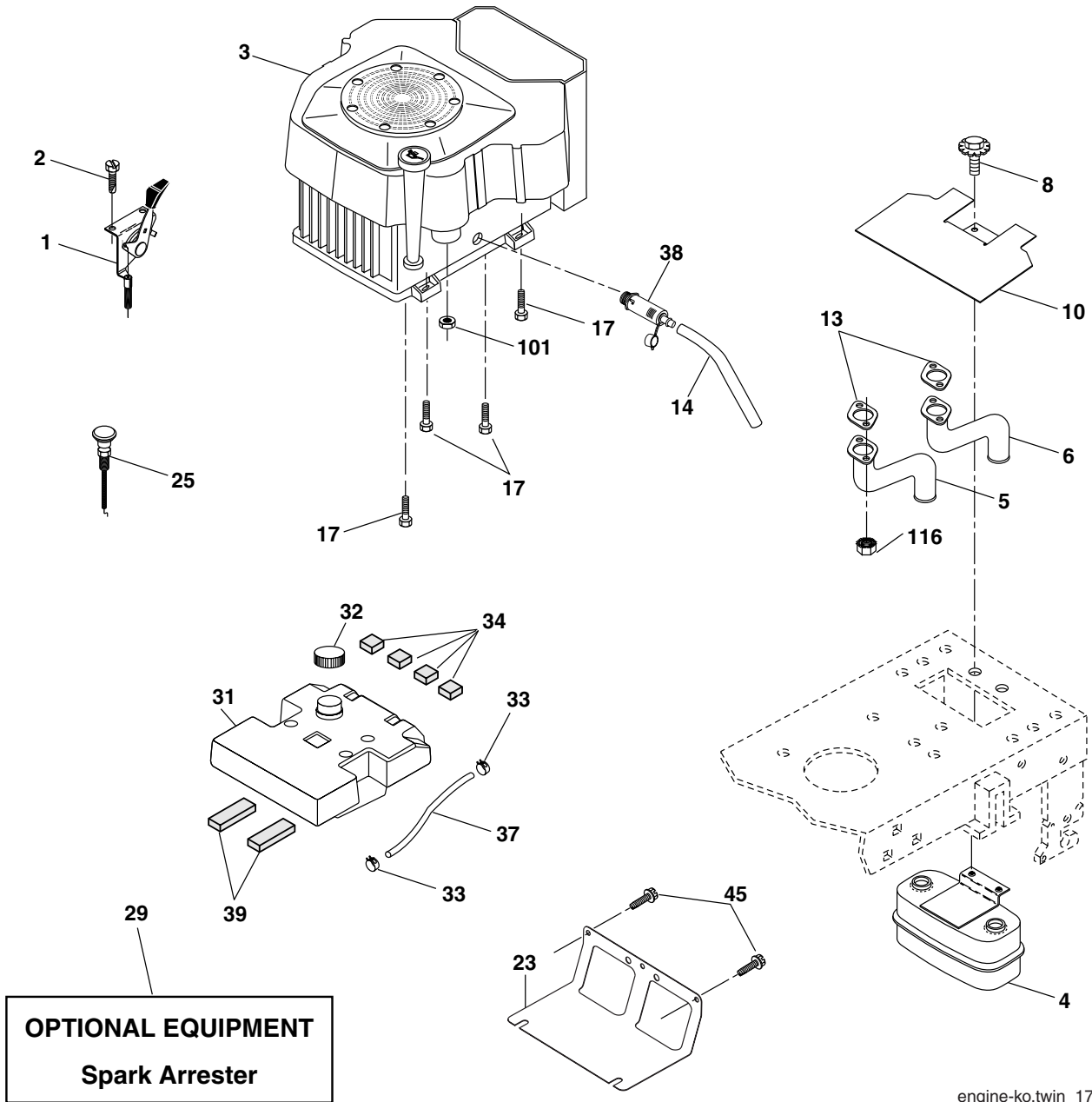


KEY NO.	PART NO.	DESCRIPTION
1	532 05 91-92	Cap Valve Tire
2	532 06 51-39	Stem Valve
3	532 10 62-22	Tire F Ts 15 x 6 0 - 6 Service
4	532 05 99-04	Tube Front (Service Item Only)
5	532 13 83-36	Rim Asm 6" front Silver Service
6	532 12 49-57	Fitting Grease (Front Wheel Only)
7	532 12 49-59	Bearing Flange (Front Wheel Only)
8	532 13 83-37	Rim Asm 8" rear Silver Service
9	532 12 20-82	Tire R Ts 20 10 C Service
10	532 12 49-26	Tube Rear (Service Item Only)
11	532 17 50-39	Cap, Hub Axle Blk 1.50 x 1.00
--	532 14 43-34	Tire, Sealant (10 oz. Tube)

NOTE: All component dimensions given in U.S. inches
1 inch = 25.4 mm

REPAIR PARTS

TRACTOR - MODEL NUMBER LT2122A (J2122AB), PRODUCT NO. 954 13 02-14
ENGINE



engine-ko.twin_17

REPAIR PARTS

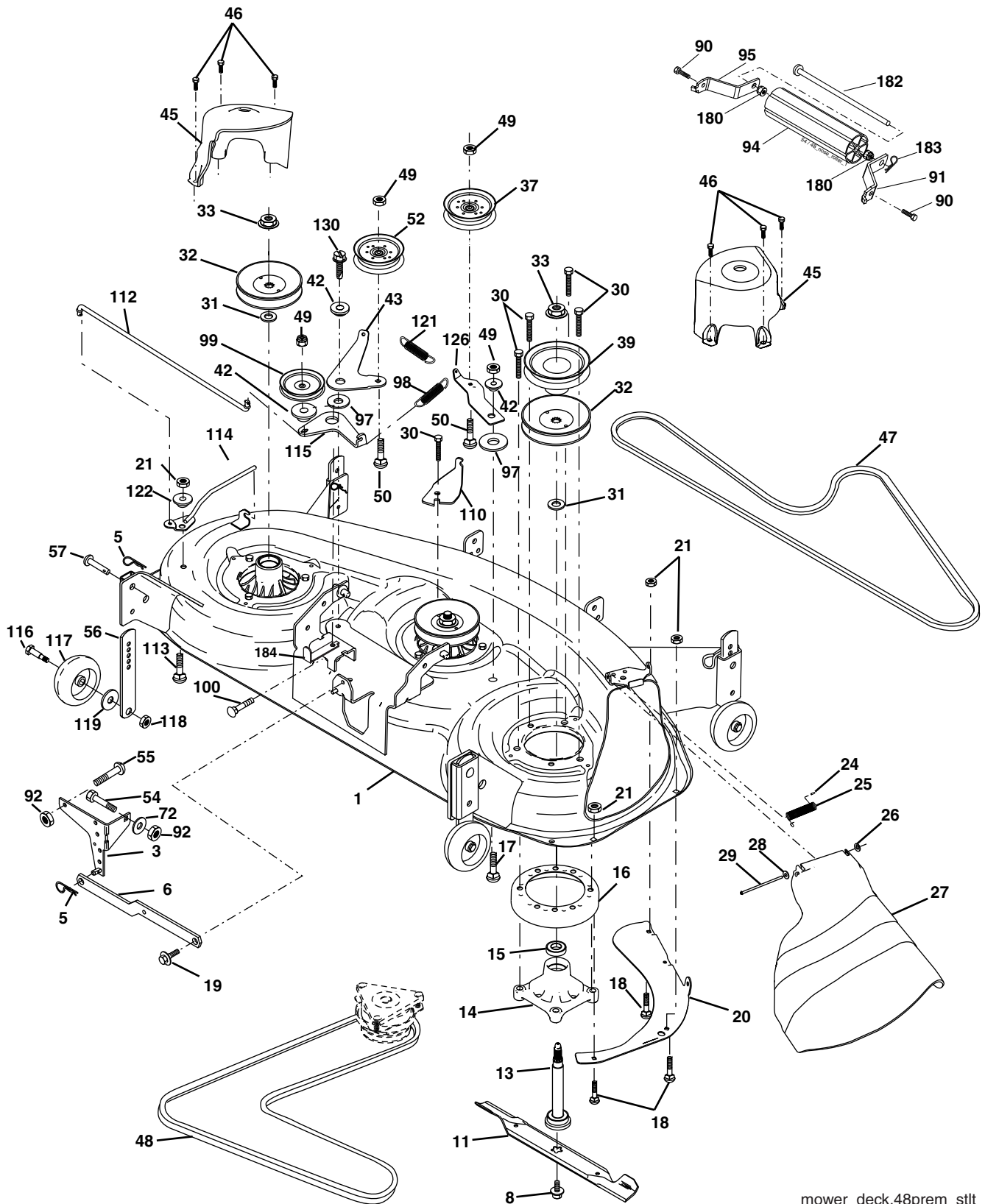
TRACTOR - MODEL NUMBER LT2122A (J2122AB), PRODUCT NO. 954 13 02-14
ENGINE

KEY NO.	PART NO.	DESCRIPTION
1	532 17 81-47	Control Throttle
2	532 17 18-75	Screw Hwhd Hi-Lo #13-16 x 3/4
3	-----	Engine Kohler Model #CV674 Order parts from engine manufacturer
4	532 14 97-23	Muffler Twin Lo-Twin
5	532 14 66-99	Tube, Manifold Lh
6	532 14 67-00	Tube, Manifold Rh
8	532 17 18-77	Bolt 5/16-18 Unc x 3/4 w/Sems
10	532 14 66-29	Shield Heat Muffler
13	532 18 60-54	Gasket Muffler
14	532 14 84-56	Tube Drain Oil Easy
17	817 06 06-24	Screw, Thdrol 3/8-16 x 1-1/2 Tap/R
23	532 16 98-37	Shield Brn/Dbr Guard
25	532 18 95-41	Choke Control
29	532 13 71-80	Kit Spark Arrestor (Flat Scrn)
31	532 15 71-03	Tank Fuel 3 50 STLT w/o Sensor
32	532 14 05-27	Cap Asm Fuel W/sym Vented
33	532 12 34-87	Clamp Hose Blk
34	532 10 60-82	Pad, Spacer
37	532 14 21-58	Line Fuel
38	532 18 16-54	Plug Drain Oil Easy
39	532 10 92-27	Pad, Idler
45	817 00 06-12	Screw Hex Wsh Thdrol 3/8-16
101	532 16 33-05	Nut Flange M8-1.25
116	532 18 43-62	Nut Hex Flange Toplock M8-1.25

NOTE: All component dimensions given in U.S. inches
1 inch = 25.4 mm

REPAIR PARTS

TRACTOR - MODEL NUMBER LT2122A (J2122AB), PRODUCT NO. 954 13 02-14
MOWER DECK



mower_deck.48prem_stlt

REPAIR PARTS

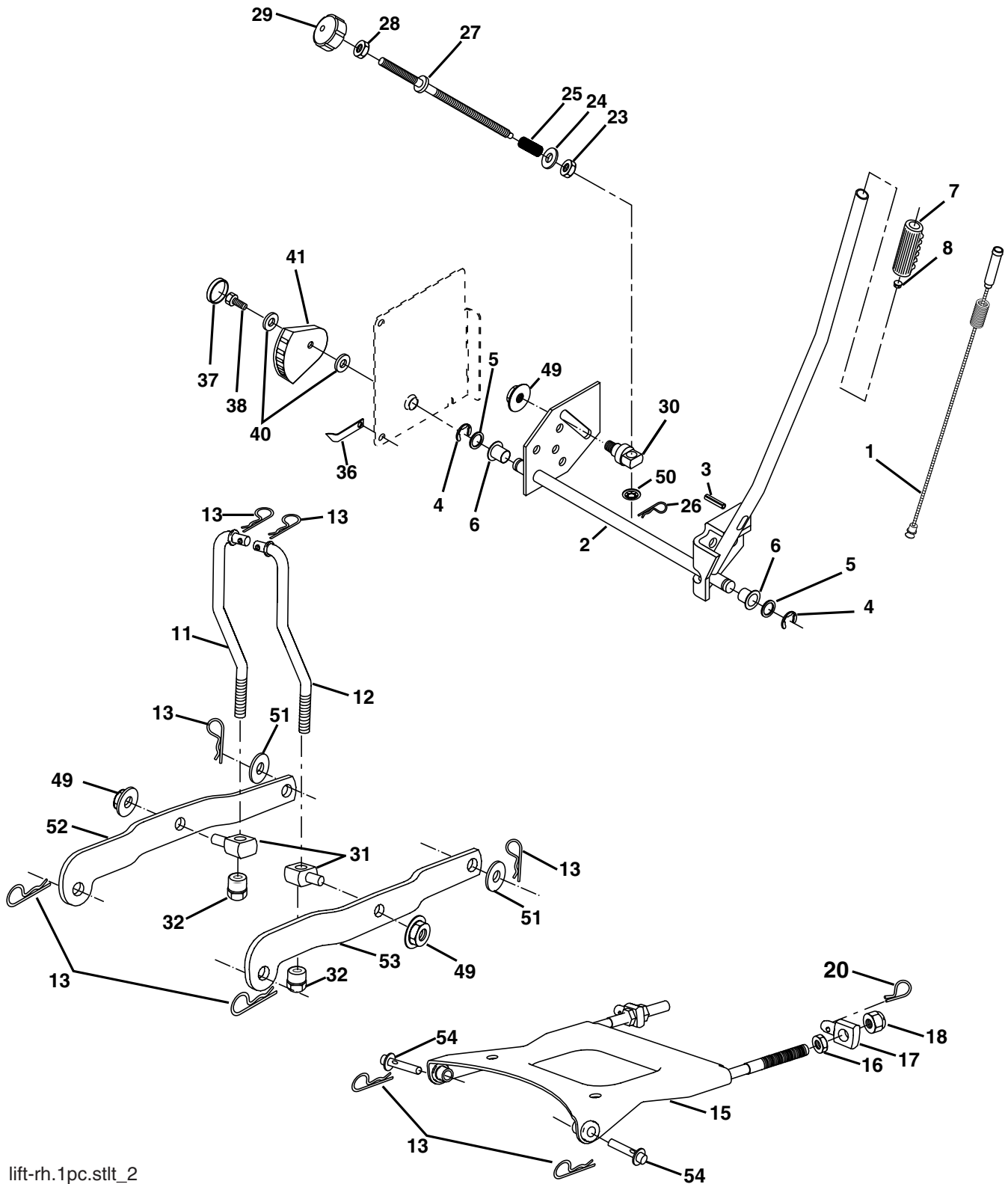
TRACTOR - MODEL NUMBER LT2122A (J2122AB), PRODUCT NO. 954 13 02-14 MOWER DECK

KEY NO.	PART NO.	DESCRIPTION	KEY NO.	PART NO.	DESCRIPTION
1	532 18 03-58	Deck Weldment Mower 48	55	872 14 06-08	Bolt Rdhd Sqnk 3/8-16 x 1
3	532 13 80-17	Bracket Asm., Sway Bar	56	532 15 59-86	Bar Pnt Adjusting Wheel Gauge
5	532 12 46-70	Retainer Spring	57	532 15 69-41	Pin Head Rivet
6	532 17 80-24	Bar Sway Deck	72	819 13 13-12	Washer 13/32 x 13/16 x 12
8	532 17 43-65	Bolt, 7/16 Asm. Blade	90	874 76 05-16	Bolt, Fin, Hex 5/16-18 x 1.0
11	532 18 00-54	Blade	91	532 18 05-35	Bracket, Asm Noseroller, RH 48
13	532 17 43-60	Shaft Asm. greaseable	92	873 80 06-00	Nut Lock Hex w/Ins 3/8-16
14	532 17 43-58	Housing Mandrel 48"	94	532 17 60-66	Roller, Nose 48"
15	532 11 04-85	Bearing, Ball, Mandrel	95	532 18 05-34	Bracket, Asm Noseroller LH 48
16	532 17 44-93	Stripper, Mower	97	532 17 85-15	Washer Hardened
17	872 11 06-10	Bolt Rdhd Sq Neck 3/8-16 x 1.25	98	532 17 94-79	Spring Primary Drive
18	872 14 05-05	Bolt, Carriage 5/16-18 x 5/8	99	532 18 40-58	Pulley Idler "V"
19	532 13 28-27	Bolt, Hex Head, Shoulder 5/16-18	100	872 11 06-16	Bolt RDHD Sqnk 3/8-16 unc x 2
20	532 17 43-78	Baffle, Vortex Mower	110	532 17 50-16	Arm Spring Secondary
21	873 68 05-00	Nut, Crownlock 5/16-18 unc	112	532 17 43-87	Link Tension Relief Lever
24	532 10 53-04	Cap, Sleeve	113	872 11 05-06	Bolt RdhdSqnk 5/16-18 unc x 3/4
25	532 17 81-02	Spring, Torsion	114	532 17 43-84	Tension Asm Relief Lever
26	532 11 04-52	Nut, Push	115	532 17 46-09	Arm Spring Tension Relief
27	532 18 17-07	Shield, Deflector Mower	116	532 18 42-19	Bolt, Shoulder
28	819 11 10-16	Washer 11/32 x 5/8 x 16 Ga.	117	532 17 48-73	Gauge Wheel
29	532 13 14-91	Rod, Hinge	118	873 93 06-00	Nut, Centerlock 3/8-16 unc
30	532 17 39-84	Screw, Thdroll, Washer Head	119	819 12 14-14	Washer 3/8 x 7/8 x 14 Ga.
31	532 18 76-90	Washer, Spacer Mower Vented	121	532 17 43-71	Spring Secondary Drive
32	532 17 78-65	Pulley, Mandrel	122	532 17 46-06	Bushing Pivot Tension Relief
33	532 17 83-42	Nut, Flg. Top Lock Cntr. 9/16	126	532 17 43-72	Arm, Idler, Primary Deck
36	819 13 13-16	Washer 13/32 x 13/16 x 16 Ga.	130	817 00 06-16	Screw 3/8-16 x 1.0
37	532 17 79-68	Pulley, Idler, Flat	180	873 80 05-00	Nut Lock 5/16-18
39	532 17 43-75	Pulley, Idler, Driven	182	532 17 91-27	Rod Roller Nose
42	532 16 57-23	Spacer, Retainer	183	532 16 35-52	Retainer Spring
43	532 17 43-73	Arm, Idler Secondary	184	532 17 39-79	Keeper Belt Idler
45	532 18 08-06	Cover, Mandrel Deck	--	532 18 15-79	Replacement Mower, Complete
46	532 13 77-29	Screw, Thdroll. 1/4-20 x 5/8	--	532 17 43-56	Mandrel Assembly (Includes Housing, Shaft and Shaft Hardware Only-Pulley Not Included)
47	532 18 08-08	V-Belt, Mower, Secondary			
48	532 17 43-68	V-Belt, Mower, Primary			
49	873 68 06-00	Nut, Crownlock 3/8-16 unc			
50	872 11 06-12	Bolt, Carriage 3/8-16 x 1-1/2 Gr. 5			
52	532 17 58-20	Pulley Idler Flat 46 Pri. Drive			
54	874 78 06-16	Bolt Fin Hex 3/8-16 x 1			

NOTE: All component dimensions given in U.S. inches
1 inch = 25.4 mm

REPAIR PARTS

TRACTOR - MODEL NUMBER LT2122A (J2122AB), PRODUCT NO. 954 13 02-14
MOWER LIFT



lift-rh.1pc.stlt_2

REPAIR PARTS

TRACTOR - MODEL NUMBER LT2122A (J2122AB), PRODUCT NO. 954 13 02-14
MOWER LIFT

KEY NO.	PART NO.	DESCRIPTION
1	532 15 94-61	Wire Asm Inner/Spring W/Plunger LT
2	532 15 94-76	Shaft Asm Lift RH w/Inf
3	532 17 89-81	Pin Groove
4	812 00 00-02	E Ring #5133-62
5	819 21 16-21	Washer 21/32 x 1 x 21 Ga.
6	532 12 01-83	Bearing Nylon Blk 629 Id
7	532 12 56-31	Grip Handle Fluted Blk
8	532 12 23-65	Button Plunger Black
11	532 17 53-70	Link Lift LH
12	532 17 53-71	Link Lift RH
13	532 12 46-70	Retainer Spring
15	532 17 55-62	Plate Asm Susp Front
16	873 35 08-00	Nut Jam Hex 1/2-13 unc
17	532 17 56-89	Trunnion
18	873 80 08-00	Nut Lock w/Wsh 1/2-13 unc
20	532 16 35-52	Retainer Spring
23	532 11 08-07	Nut Special
24	819 13 10-16	Washer 13/32 x 5/8 x 16 Ga.
25	532 16 40-24	Spring
26	532 16 94-84	Retainer Clip
27	532 16 45-43	Rod Adj Lift
28	873 35 06-00	Nut Hex Jam 3/8-16 unc
29	532 13 80-57	Knob Inf 3/8-16 unc Blk W/sym
30	532 15 02-33	Trunnion Infin Height
31	532 17 62-05	Trunnion
32	532 17 59-94	Nut Lift Link 7/16-20
36	532 15 50-97	Indicator Height STLT
37	532 12 39-35	Plug Hole Blk 1.485/1.515 Dia.
38	817 06 05-16	Screw 5/16-18 x 1
40	819 11 24-10	Washer 11/32 x 1-1/2 10 Ga.
41	532 15 50-98	Scale Ind. Height Blk.
49	532 14 52-12	Nut Hex Flange Lock
50	532 11 04-52	Nut, Push Phos & Oil
51	819 17 14-16	Washer 17/32 x 7/8 x 16 Ga.
52	532 17 53-78	Arm Susp. Rear Lh
53	532 17 58-02	Arm Susp. Rear Rh
54	532 17 55-60	Pin Flange

NOTE: All component dimensions given in U.S. inches
1 inch = 25.4 mm