

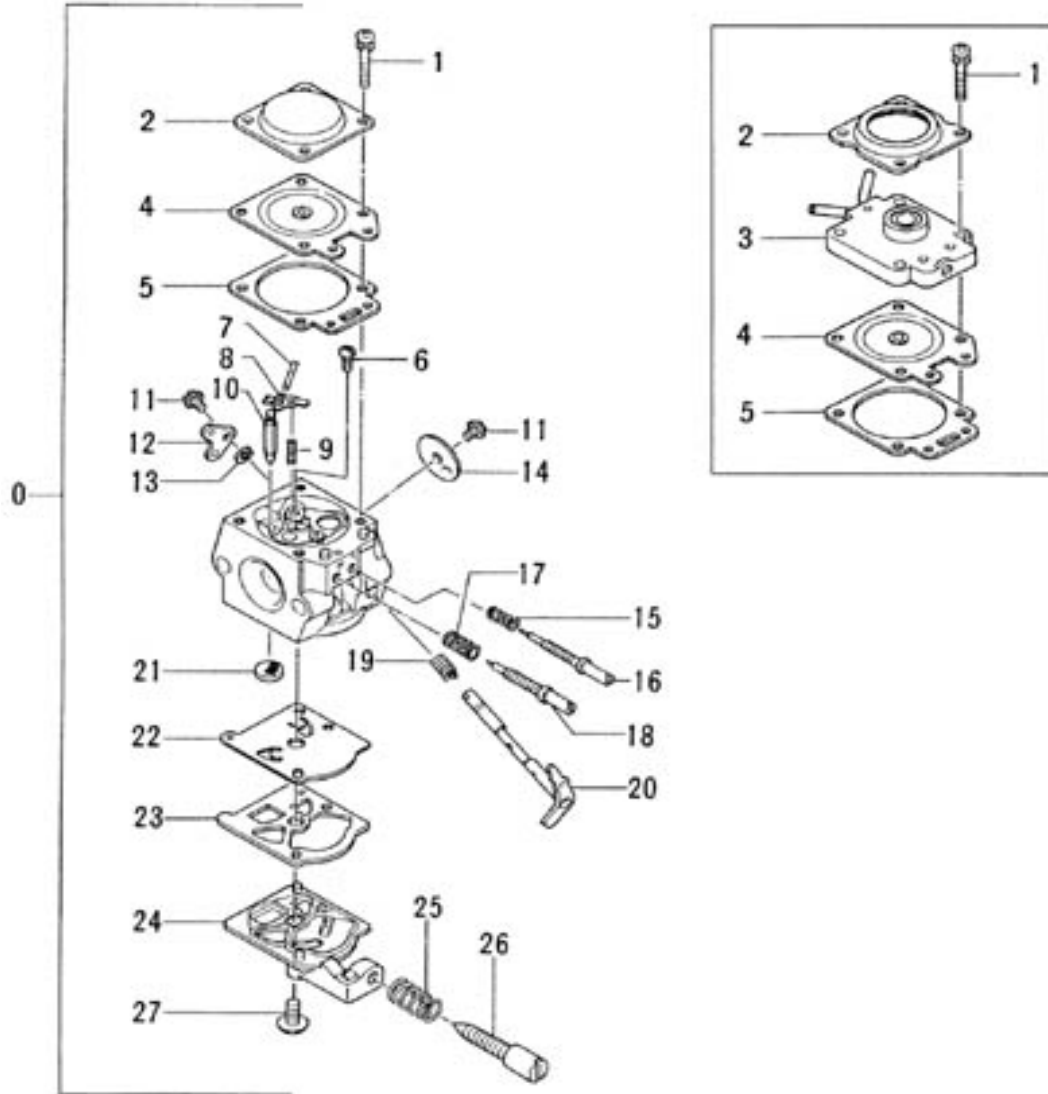
C01

Tanaka

ECS 290/B

C01
08

ECS-290,290B CARBURETOR

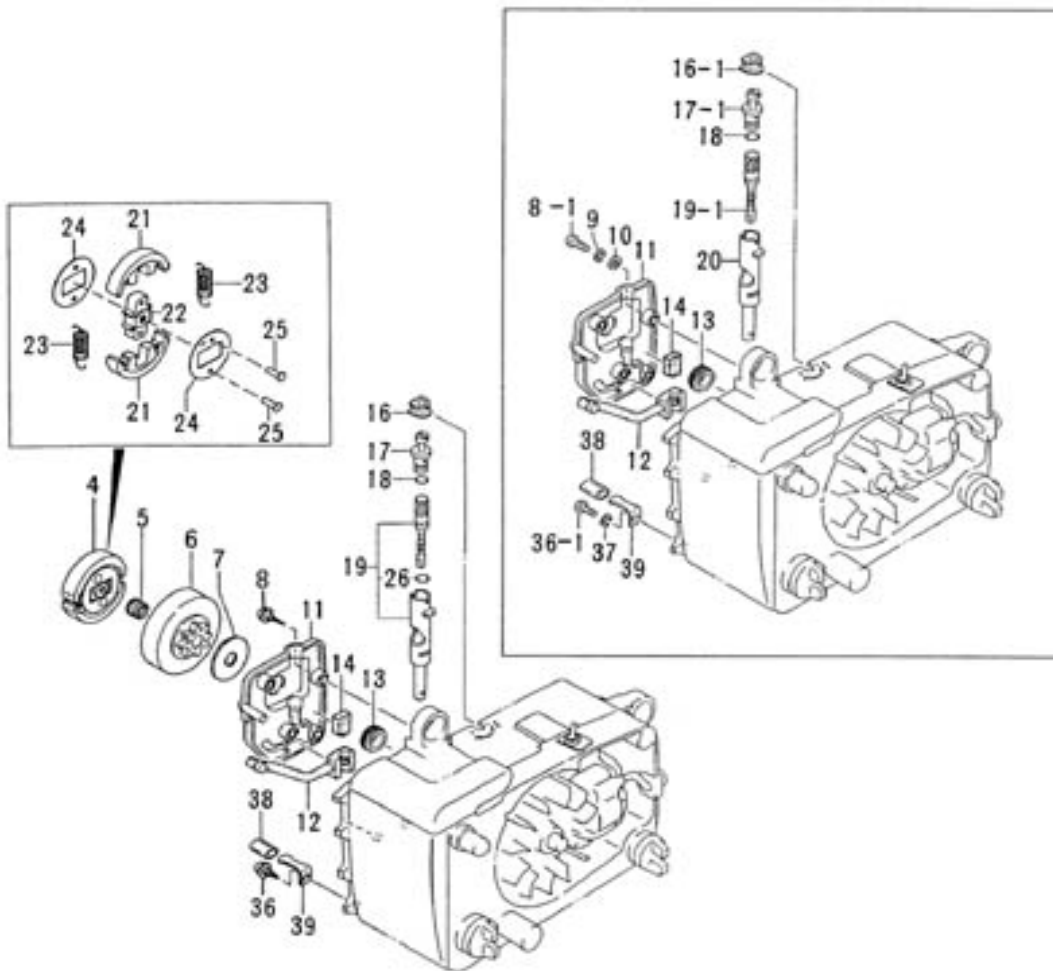


Parts List

Ref.	Part No.	Description	Q'ty	Serial No.
000	455-25027-90	CARBURETOR ASS'Y WT-50A	1	- F143501
000	455-25038-90	CARBURETOR ASS'Y WT-65	1	F143502 -
001	548-25016-20	SET SCREW	4	- F143501
001	548-25012-20	SET SCREW	4	F143502 -
002	476-25016-20	DIAPHRAGM COVER	1	- F143501
002	476-25004-20	DIAPHRAGM COVER	1	F143502 -
003	454-25027-80	AIR PURGE COMP.	1	- F143501
004	474-25001-80	METERING DIAPHRAGM COMP.	1	
005	475-25016-20	DIAPHRAGM GASKET	1	- F143501
005	475-25038-20	DIAPHRAGM GASKET	1	F143502 -
006	546-25001-20	HINGE PIN SET SCREW	1	
007	605-25001-20	HINGE PIN	1	
008	473-25001-20	VALVE HINGE	1	
009	477-25013-20	VALVE SPRING	1	
010	603-25001-20	NEEDLE VALVE	1	
011	467-25003-20	SHUTTER SCREW	2	
012	491-25027-20	THROTTLE LEVER	1	
013	489-25007-20	STOP RING	1	
014	488-25008-20	THROTTLE VALVE	1	
015	623-25001-20	HIGH/LOW ADJUST SPRING	1	
016	461-25027-20	LOW ADJUST SCREW	1	
017	485-25003-20	HIGH ADJUST SPRING	1	
018	460-25027-20	HIGH ADJUST SCREW	1	
019	486-25015-20	THROTTLE SPRING	1	
020	464-25027-80	THROTTLE SHAFT COMP.	1	
021	578-25007-20	INLET SCREEN	1	
022	576-25006-20	PUMP DIAPHRAGM	1	
023	577-25007-20	PUMP GASKET	1	
024	575-25028-20	PUMP BODY	1	
025	463-25006-20	IDLE ADJUST SPRING	1	
026	462-25016-20	IDLE ADJUST SCREW	1	
027	514-25001-20	SET SCREW	1	

C01
09

ECS-290,290B CLUTCH/OIL PUMP

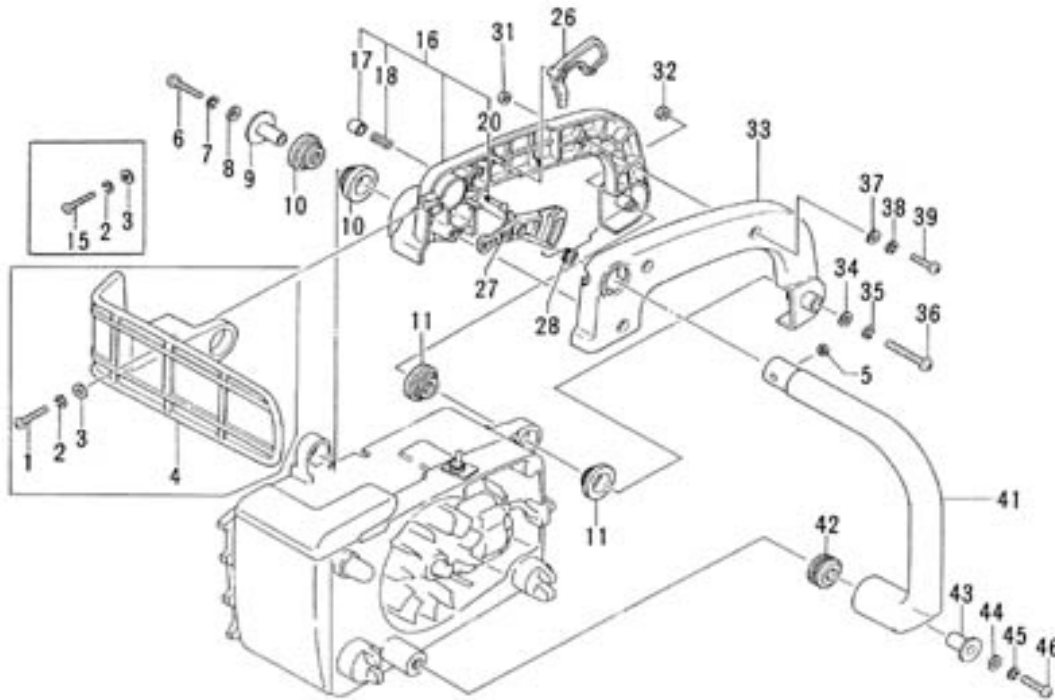


Parts List

Ref.	Part No.	Description	Q'ty	Serial No.
004	287-01700-81	CLUTCH COMP.	1	
005	999-62101-301	NEEDLE BRG 101310 1.5X7.5	1	
006	310-32710-20	CLUTCH HOUSING 3/8	1	
007	358-04050-20	CLUTCH WASHER	1	
008,1	990-11040-121	SCREW 4X12	4 -	M011640
008	990-74045-124	TAPPING SCREW 4.5X12	4	M011641 -
009	992-10040-012	S.WASHER 4	4 -	M011640
010	992-00040-011	SMALL WASHER 4	4 -	M011640
011	097-32710-20	OIL PUMP COVER	1	
012	515-32710-20	OIL PIPE A	1	
013	084-32710-20	SCREW GEAR	1	
014	567-01700-20	AIR VENT SPONGE	1	
016,1	488-32710-20	OIL ADJUST GROMMET	1 -	F131000
016	488-32710-21	OIL ADJUST GROMMET	1	F131001 -
017,1	501-32710-20	OIL PUMP ADJUSTER	1 -	F131000
017	501-32710-21	OIL PUMP ADJUSTER	1	F131001 -
018	999-67006-000	O-RING P-6	1	
019,1	085-32710-20	PUMP GEAR	1 -	F131000
019	088-3277A-91	OIL PUMP CASE SET, SPARE	1	F131001 -
020	088-32710-20	OIL PUMP CASE	1 -	F131000
021	345-01700-20	CLUTCH SHOE	2	
022	346-01700-20	CLUTCH BOSS	1	
023	342-01700-20	CLUTCH SPRING	2	
024	348-01700-20	CLUTCH PLATE A	2	
025	992-74004-143	RIVET 4X14	2	
026	999-67006-000	O-RING P-6	1	N182786 -
036,1	990-11050-121	SCREW 5X12	1 -	M011640
036	990-72050-144	TAPPING SCREW 5X14	1	M011641 -
037	992-10050-012	S.WASHER 5	1 -	M011640
038	700-07105-02	VINYL PIPE	1	
039	125-32710-20	CHAIN CATCHER	1	

C01
11

ECS-290,290B HANDLE



Parts List

Ref.	Part No.	Description	Q'ty	Serial No.
001	990-11040-351	SCREW 4X35	1	
002	992-10040-012	S.WASHER 4	1	
003	992-01040-011	WASHER 4	1	
004	805-32710-80	FRONT HAND GUARD COMP.	1	
005	991-78040-010	NYLON LOCK NUT 4	1	
006	990-11050-351	SCREW 5X35	1	
007	992-10050-012	S.WASHER 5	1	
008	992-00050-011	SMALL WASHER 5	1	
009	275-32710-20	DAMPER COLLAR A	1	
010	219-32750-20	DAMPER A	2	
011	219-32710-20	DAMPER A	2	J075661 -
015	990-11040-301	SCREW 4X30	1	
016	011-32710-80	REAR HANDLE B COMP.	1	
017	725-32600-20	PUSH PIN CAP	1	
018	066-32300-20	STOPPER SPRING	1	
020	064-32530-20	PUSH PIN	1	
026	257-32710-20	SAFETY LEVER	1	
027	060-32710-20	THROTTLE LEVER	1	
028	061-32710-20	THROTTLE LEVER SPRING	1	
031	991-01040-011	HEX. NUT 4	2	
032	991-01050-011	HEX. NUT 5	1	
033	010-32710-20	REAR HANDLE A	1	
034	992-00050-011	SMALL WASHER 5	1	
035	992-10050-012	S.WASHER 5	1	
036	990-11050-401	SCREW 5X40	1	
037	992-00040-011	SMALL WASHER 4	3	
038	992-10040-012	S.WASHER 4	3	
039	990-11040-181	SCREW 4X18	3	
041	209-32710-20	FRONT HANDLE	1	
042	266-32750-20	DAMPER B	1	
043	276-32710-20	DAMPER COLLAR B	1	
044	992-00050-011	SMALL WASHER 5	1	
045	992-10050-012	S.WASHER 5	1	
046	990-11050-301	SCREW 5X30	1	