

**H30**

***Tanaka***

**HTD 2526PF**

**HTD 2530PF**

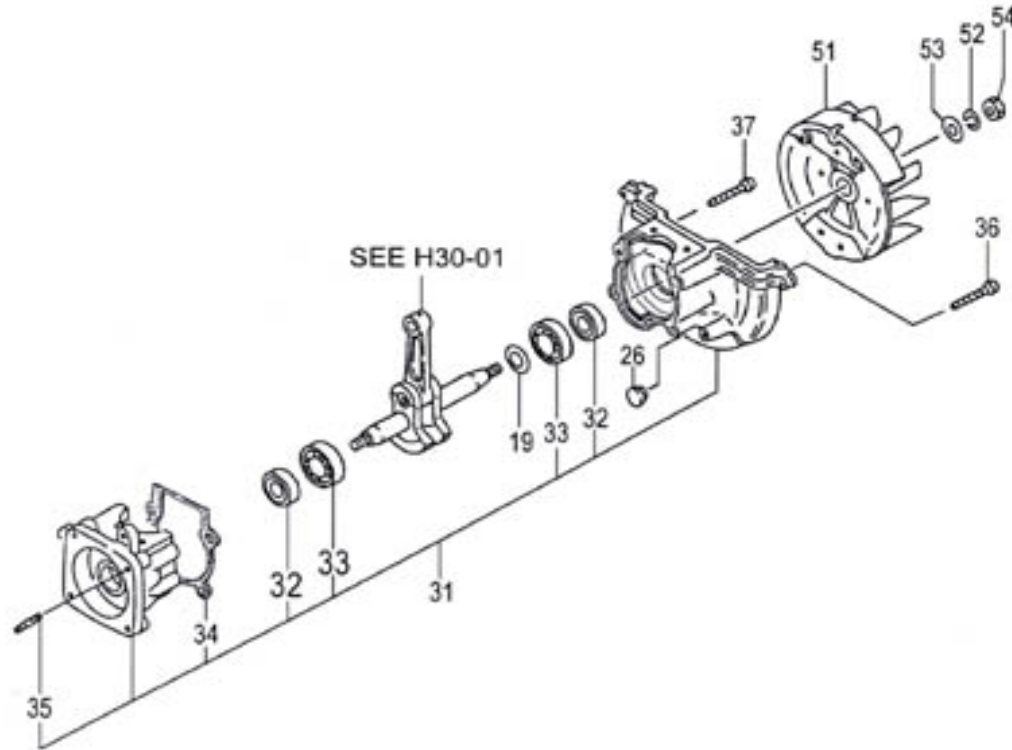


H30  
02

### HTD-2526PF,2530PF CRANK CASE

Parts List

Ref.	Part No.	Description	Q'ty	Serial No.
019	330-00200-21	GEAR SHAFT SHIM 0.10	V	
019	330-00200-22	GEAR SHAFT SHIM 0.15	V	
019	330-00200-23	GEAR SHAFT SHIM 0.20	V	
019	330-00200-24	GEAR SHAFT SHIM 0.30	V	
026	203-03002-20	GROMMET	1	
031	072-03002-90	CRANK CASE ASS'Y	1	
032	999-66122-200	OIL SEAL TB 12227	2	
033	999-61600-115	BALL BEARING 6001 C3	2	
034	090-03002-20	CRANK CASE GASKET	1	
035	100-02100-20	STUD BOLT 6X22	2	
036	994-61050-304	HEX. HOLE BOLT 5X30S	2	
037	994-14050-451	SCREW 5X45S	2 - A057780	
037	990-51050-453	HEX. HOLE BOLT 5X45	2 A057781 -	
038	992-10050-062	S.WASHER 5	2 A057781 -	
051	155-21744-80	MAGNETO ROTOR COMP.	1	
052	992-10080-012	S.WASHER 8	1	
053	992-01080-011	WASHER 8	1	
054	991-01080-011	HEX. NUT 8	1	





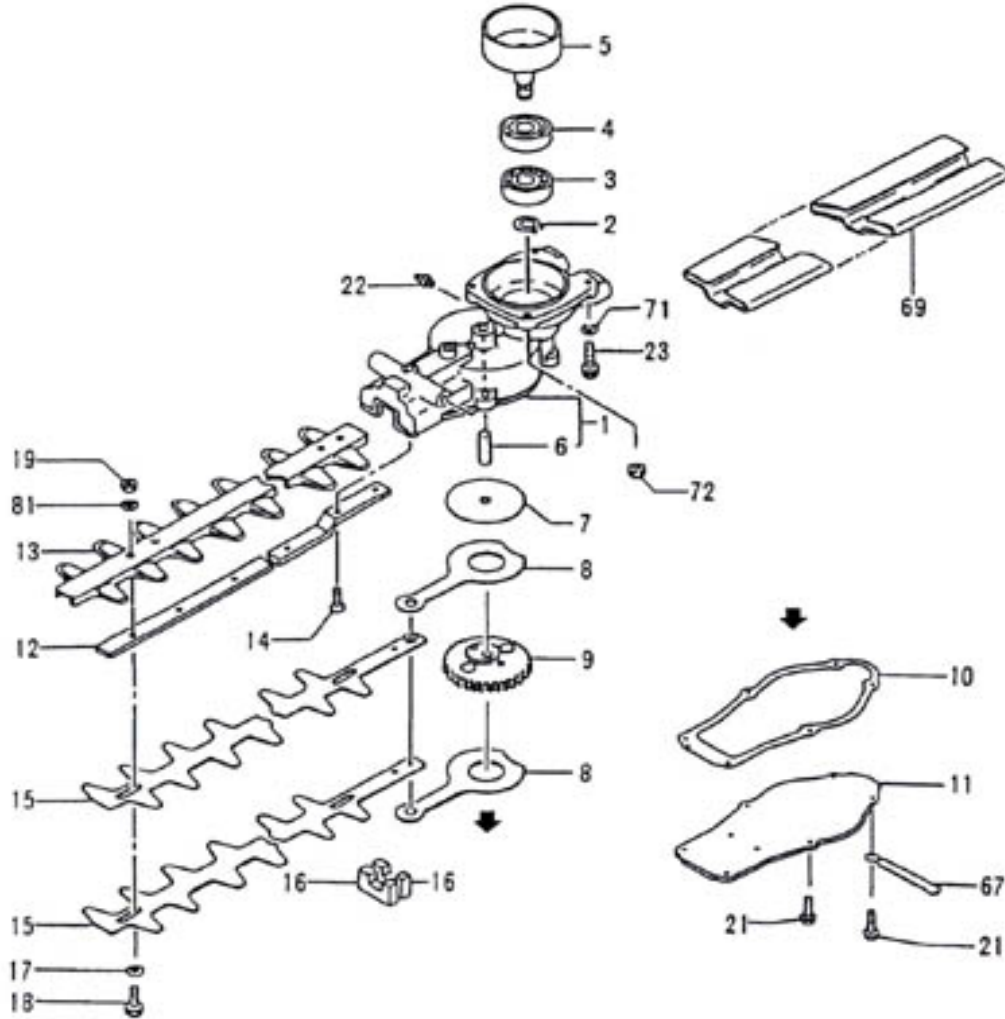




H30  
06

**HTD-2526PF,2530PF GEAR CASE/BLADE(HTD-2526PF)**

**Parts List**

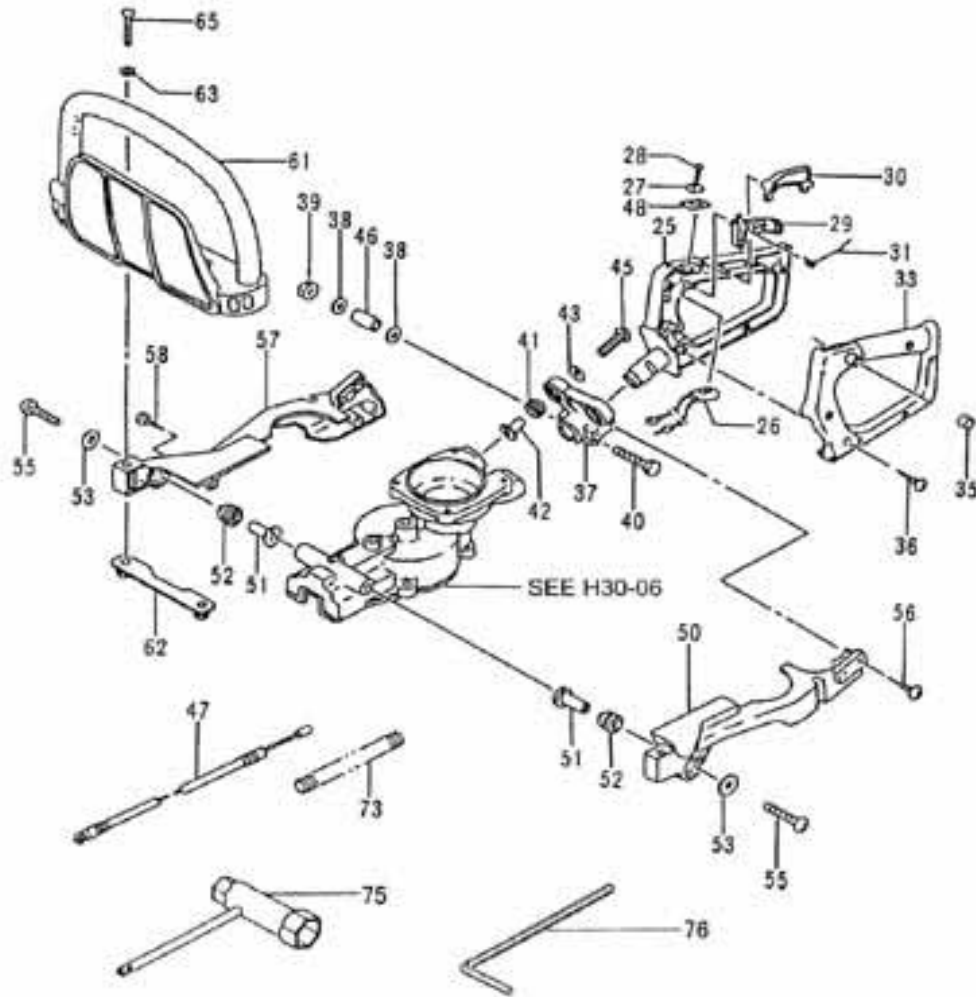


Ref.	Part No.	Description	Q'ty	Serial No.
001	300-33160-81	GEAR CASE COMP	1	
002	993-50015-002	STOP RING C-15, OUTER	1	
003	999-61600-200	BALL BEARING #6002, 32MM/OD	1	
004	999-61600-202	BALL BEARING #6002Z, 32MM/OD	1	
005	288-33180-80	CLUTCH DRUM COMP.	1	
006	305-33160-20	GEAR SHAFT	1	
007	075-33160-20	GUIDE PLATE	1	
008	101-33190-20	CAM ROD	2	
009	307-33180-20	GEAR 2	1	
010	303-33160-20	GEAR CASE GASKET	1	
011	630-33160-20	GEAR CASE COVER	1	
012	122-33168-21	CUTTER GUIDE, 734MM	1	- A024600
012	122-33248-20	CUTTER GUIDE 734L M6	1	A024601 -
013	136-33160-20	PROTECTION PLATE	1	
014	990-52060-165	HEX HOLE FLUSH SCREW 6X16	2	
015	120-33168-21	CUTTER A (696.5L)	2	
016	085-33160-20	GREASE SEAL A	2	
017	129-33202-20	WASHER 7 BLACK	5	
018	124-33202-21	CUTTER FIXING BOLT A	5	- A024660
018	124-32287-20	FIXING BOLT A M6	5	A024601 -
019	123-33202-20	CUTTER FIXING NUT	5	- A024600
019	991-82060-001	FLANGE NUT 6	5	A024601 -
021	994-61040-104	HEX. HOLE BOLT 4X10S	8	
022	300-32250-80	GREASE NIPPLE COMP.	1	
023	990-51060-143	HEX. HOLE BOLT 6X14	2	- A057780
023	994-61060-184	HEX. HOLE BOLT 6X18/S	2	A057781 -
067	198-11600-80	CORD CLAMP COMP.	1	
069	138-33171-20	CUTTER COVER	1	
071	992-10060-012	S.WASHER 6	2	- A057780
072	994-40060-011	SPRING NUT 6	2	
081	992-01060-011	WASHER 6	3	- A024600
082	135-33191-20	GUARD PLATE	1	A024601 -

H30  
07

**HTD-2526PF,2530PF GEAR CASE/BLADE(HTD-2530PF)**

**Parts List**



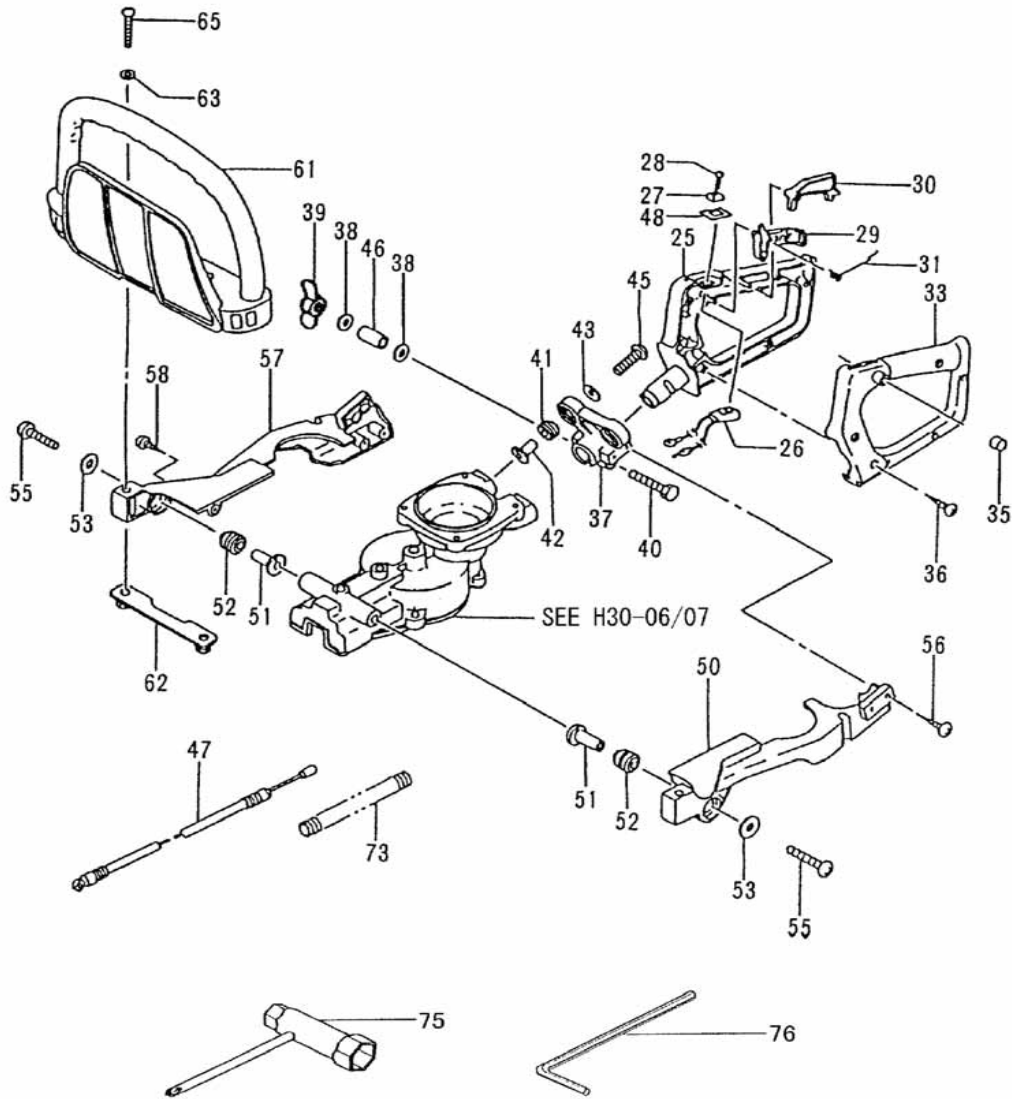
Ref.	Part No.	Description	Q'ty	Serial No.
001	300-33160-81	GEAR CASE COMP	1	
002	993-50015-002	STOP RING C-15, OUTER	1	
003	999-61600-200	BALL BEARING #6002, 32MM/OD	1	
004	999-61600-202	BALL BEARING #6002Z, 32MM/OD	1	
005	288-33180-80	CLUTCH DRUM COMP.	1	
006	305-33160-20	GEAR SHAFT	1	
007	075-33160-20	GUIDE PLATE	1	
008	101-33190-20	CAM ROD	2	
009	307-33180-20	GEAR 2	1	
010	303-33160-20	GEAR CASE GASKET	1	
011	630-33160-20	GEAR CASE COVER	1	
012	122-33191-20	CUTTER GUIDE 845L M6	1	
013	136-33190-20	PROTECTION PLATE	1	
014	990-52060-165	HEX HOLE FLUSH SCREW 6X16	2	
015	120-33190-21	CUTTER A (812L)	2	
016	085-33160-20	GREASE SEAL A	2	
017	129-33202-20	WASHER 7 BLACK	6	
018	124-32287-20	FIXING BOLT A M6	6	
019	991-82060-001	FLANGE NUT 6	5	
021	994-61040-104	HEX. HOLE BOLT 4X10S	6	
022	300-32250-80	GREASE NIPPLE COMP.	1	
023	994-61060-184	HEX. HOLE BOLT 6X18/S	2	
060	301-33191-21	GEAR CASE B	1	
067	198-11600-80	CORD CLAMP COMP.	1	
069	138-33190-20	BLADE COVER	1	
072	994-40060-011	SPRING NUT 6	2	
077	462-33191-20	SUPPORT PLATE	1	
078	994-61040-104	HEX. HOLE BOLT 4X10S	4	
082	135-33191-20	GUARD PLATE	1	
089	994-61040-104	HEX. HOLE BOLT 4X10S	2	



H30  
08-1

# HTD-2526PF,2530PF HANDLE

## Parts List



Ref.	Part No.	Description	Q'ty	Serial No.
025	050-33160-20	HANDLE A	1	
026	170-33160-80	STOP BUTTON COMP.	1	
027	258-11650-20	BUTTON STOP	1	
028	994-31030-101	SCREW 3X10	1	
029	230-33160-20	THROTTLE LEVER	1	
030	231-33160-20	SAFETY LEVER	1	
031	232-33160-20	THROTTLE LEVER SPRING	1	
033	051-33160-20	HANDLE B	1	
035	765-32120-20	CAP	1	
036	990-72045-164	TAPPING SCREW 4.5X16	6	
037	058-33160-20	HANDLE BRACKET	1	
038	992-00060-011	SMALL WASHER 6	2	
039	991-61060-011	WING NUT 6	1	
040	990-21060-501	BOLT 6X50	1	
041	266-32750-20	DAMPER B	2	
042	276-32710-20	DAMPER COLLAR B	2	
043	368-32057-20	BRAKE SHAFT WASHER	2	
045	994-14050-301	SCREW 5X30/S	2	
046	294-33160-21	COLLAR 16	1	
047	885-06500-80	THROTTLE WIRE, 3.9T	1	
048	925-33160-20	STOP BUTTON MARK	1	
050	249-33160-20	CLAMP BODY A	1	
051	276-32710-20	DAMPER COLLAR B	2	
052	266-32750-20	DAMPER B	2	
053	368-32057-20	BRAKE SHAFT WASHER	2	
055	994-14050-301	SCREW 5X30/S	2	
056	990-73045-124	TAPPING SCREW 4.5X12	2	
057	250-33160-20	CLAMP BODY B	1	
058	990-73045-124	TAPPING SCREW 4.5X12	3	
061	210-33247-20	HANDLE	1	
062	040-33160-80	HANDLE SUPPORT COMP.	1	
063	992-01050-011	WASHER 5	2	
065	994-14050-401	SCREW 5X40/S	2	
073	164-07007-00	SPLIT PROTECTION TUBE,7X70L	1	
		SEE NEXT PAGE		

H30  
08-2

### HTD-2526PF,2530PF HANDLE

#### Parts List

Ref.	Part No.	Description	Q'ty	Serial No.
075	036-29331-50	COMBI. BOX SPANNER 10X19 ,PLUS	1	
076	813-20000-20	HEX. WRENCH 4	1	

