

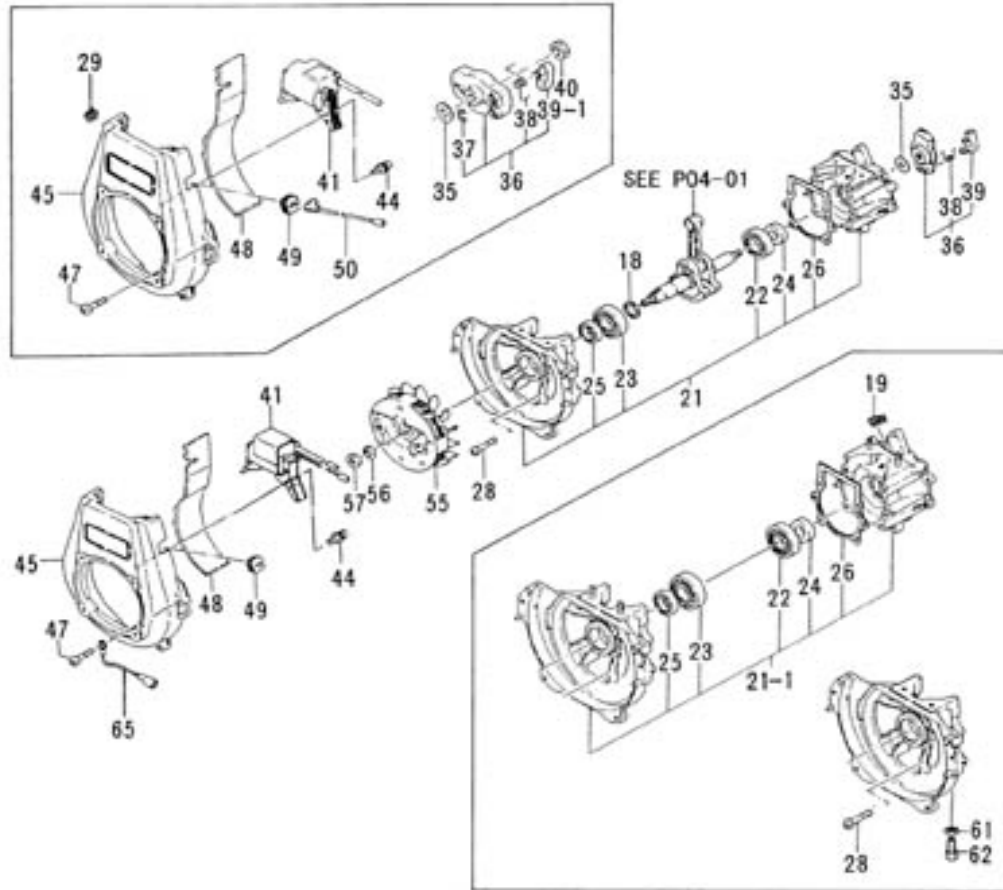
P04

Tanaka

PM 32

P04
02-1

PM-32 CRANK CASE



Parts List

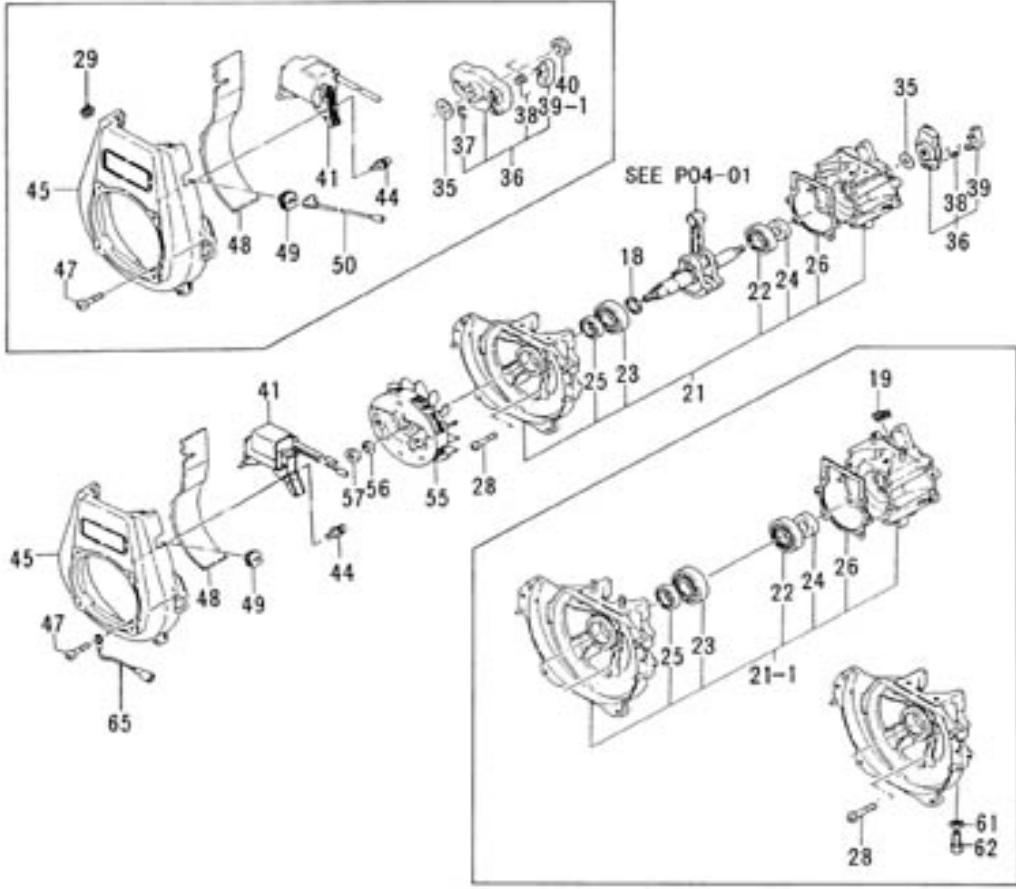
Ref.	Part No.	Description	Q'ty	Serial No.
018	071-02007-20	CRANK SHAFT SHIM 0.05	V	
018	071-02007-21	CRANK SHAFT SHIM 0.10	V	
018	071-02007-22	CRANK SHAFT SHIM 0.15	V	
018	071-02007-23	CRANK SHAFT SHIM 0.20	V	
018	071-02007-24	CRANK SHAFT SHIM 0.30	V	
019	203-06000-20	PRIMARY CORD GROMMET	1	L002900
021,1	072-01370-90	CRANK CASE ASS'Y	1	L002900
021	072-0130D-91	CRANK CASE ASS'Y	1	L002901 -
022	999-61600-200	BALL BEARING #6002, 32MM/OD	1	
023	999-61620-200	BALL BEARING #6202, 35MM/OD	1	
024	999-66122-206	OIL SEAL TC12227	1	
025	999-66152-500	OIL SEAL 15257	1	
026	090-01300-20	CRANK CASE GASKET	1	
028	994-14050-251	SCREW 5X25/S	4	
029	203-06000-20	PRIMARY CORD GROMMET	1	L262000
035	359-10112-20	CLUTCH WASHER B	1	
036	798-0166R-90	STARTER PULLEY ASS'Y	1	
037	993-55050-000	STOP RING E-5	1	N001000
038	790-0162V-20	STARTER PAWL SPRING	1	
039,1	788-0162V-20	STARTER PAWL	1	N001000
039	788-0138A-20	STARTER PAWL	1	N001001 -
040	991-01080-011	HEX. NUT 8	1	N001000
041	167-21960-80	IGNITION COIL COMP.,150	1	
044	994-16040-226	SCREW 4X22/WS	2	
045	112-01360-22	FAN CASE	1	
047	994-14050-181	SCREW 5X18/S	4	
048	132-01300-20	FLASH PAN	1	
049	203-0604A-20	GROMMET	1	
050	178-0137R-80	STOP CORD COMP.	1	P218650
055	155-21733-80	MAGNETO ROTOR COMP.	1	
056	992-01080-011	WASHER 8	1	
057	981-01080-01	NUT 8	1	
061	991-01060-013	NUT 6	1	K040851 -
061	991-01060-013	NUT 6	1	P218650
		SEE NEXT PAGE		

P04
02-2

PM-32 CRANK CASE

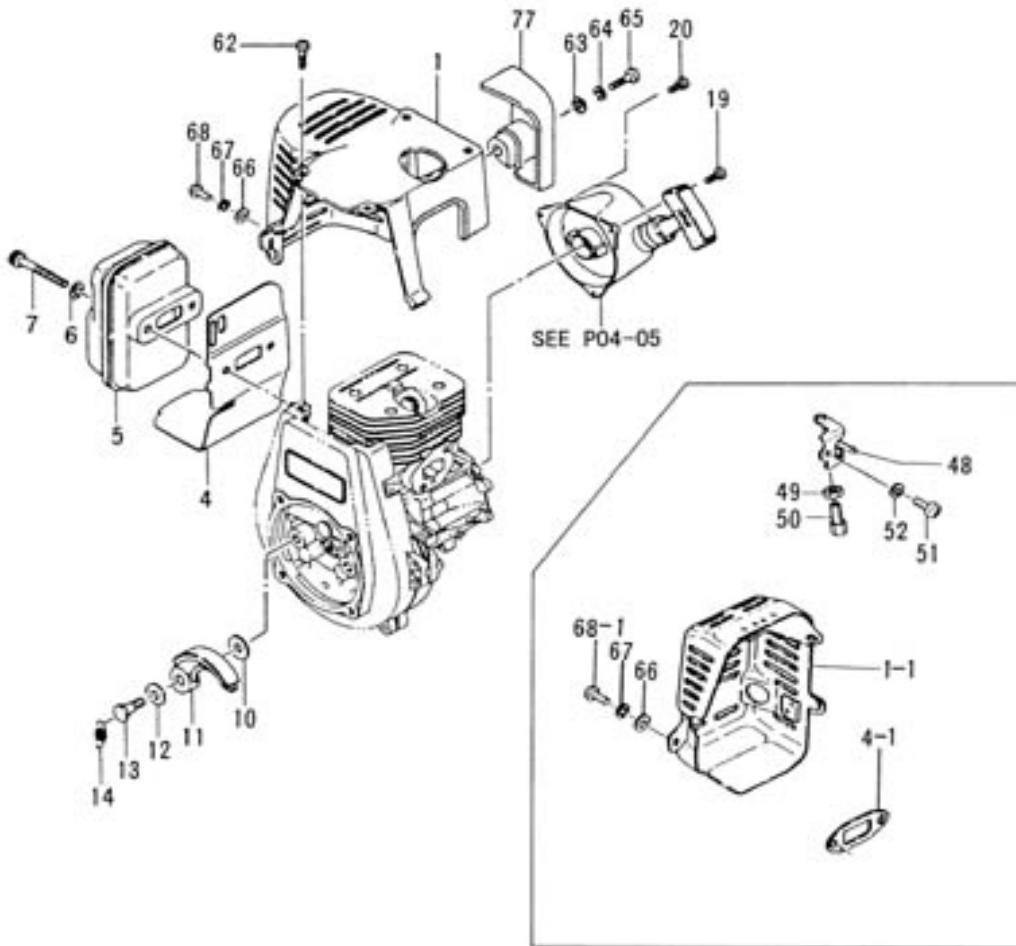
Parts List

Ref.	Part No.	Description	Q'ty	Serial No.
062	894-01401-20	OUTER RECEIVER	1	K040851 -
062	894-01401-20	OUTER RECEIVER	1	- P218650
065	274-0137G-80	EARTH CORD COMP. 150L	1	L002901 -



P04
04

PM-32 ENGINE-2

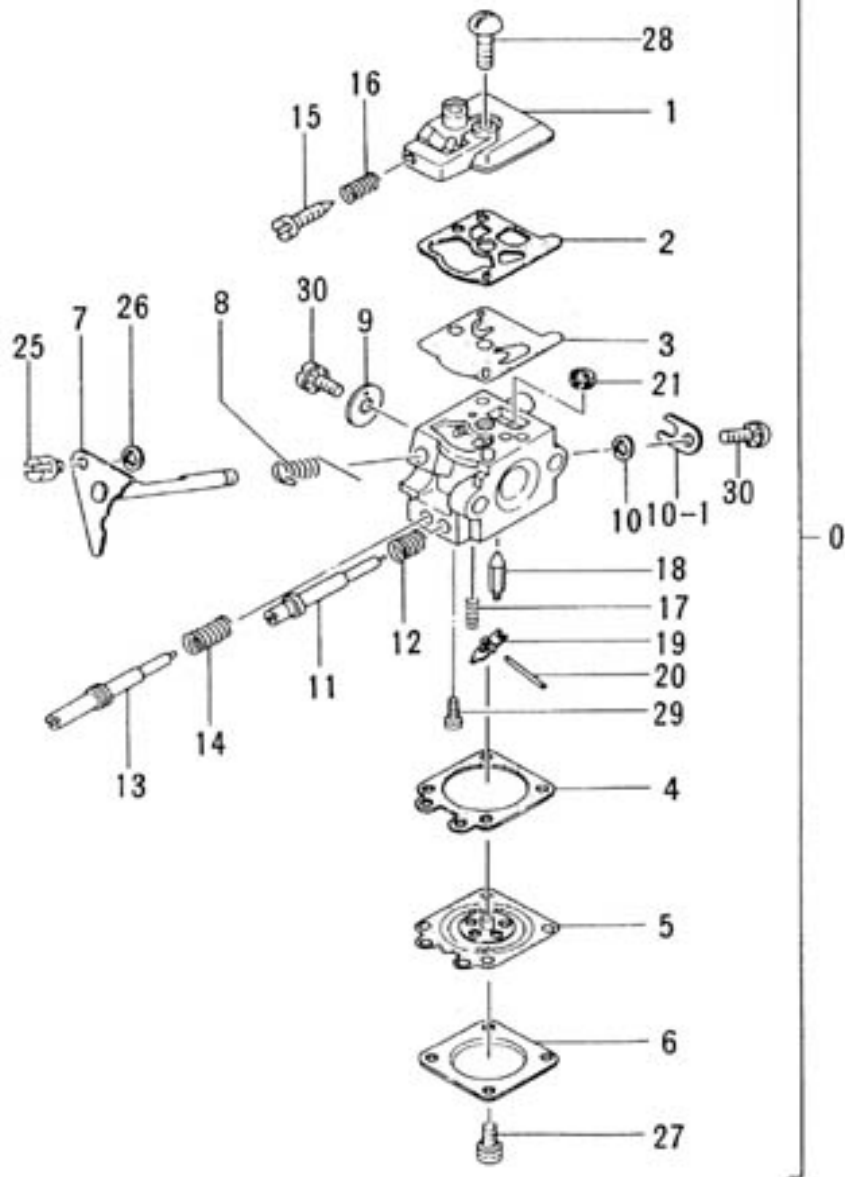


Parts List

Ref.	Part No.	Description	Q'ty	Serial No.
001,1	738-01320-80	MUFFLER PROTECTOR COMP.	1	- L002900
001	738-01350-21	MUFFLER PROTECTOR, VERMILION	1	L002901 -
004,1	737-01225-21	MUFFLER GASKET	1	- L002900
004	133-01380-21	HEAT SHIELD	1	L002901 -
005	706-0134B-80	MUFFLER COMP.	1	
006	992-01060-011	WASHER 6	2	
007	990-53060-603	HEX. HOLE BUTTON SCREW 6X60	2	
010	359-10112-20	CLUTCH WASHER B	2	
011	290-0136U-80	CLUTCH SHOE COMP.	2	- P041550
011	290-0138A-80	CLUTCH ARM COMP.	2	P041551 -
012	358-10112-20	CLUTCH WASHER A	2	
013	357-0136U-20	CLUTCH STEP BOLT	2	
014	342-0136U-20	CLUTCH SPRING	1	- P041550
014	342-0138A-20	CLUTCH SPRING	1	P041551 -
019	994-16040-161	SCREW 4X16WS	2	
020	994-16040-251	SCREW 4X25/WS	1	
048	878-01320-20	THROTTLE WIRE HOLDING METAL	1	- K040850
049	991-01060-013	NUT 6	1	- K040850
050	894-01401-20	OUTER RECEIVER	1	- K040850
051	990-11050-121	SCREW 5X12	1	- K040850
052	992-10050-012	S.WASHER 5	1	- K040850
062	994-15040-121	SCREW 4X12/PS	2	
063	992-01050-011	WASHER 5	1	- P218650
064	992-10050-012	S.WASHER 5	1	- P218650
065	990-11050-121	SCREW 5X12	1	N002901 -
065	990-11050-121	SCREW 5X12	1	- P218650
065	994-15050-251	SCREW 5X25 PS	1	P218651 -
066	992-01040-011	WASHER 4	1	- P041550
067	992-10040-012	S.WASHER 4	1	- P041550
068,1	990-11040-101	SCREW 4X10	1	- L002900
068	990-11040-121	SCREW 4X12	1	L002901 -
068	990-11040-121	SCREW 4X12	1	- P041550
077	132-0130A-20	FLASH PAN	1	P218651 -

P04
07-1

PM-32 CARBURETOR(SERIAL NO.-P218650)



Parts List

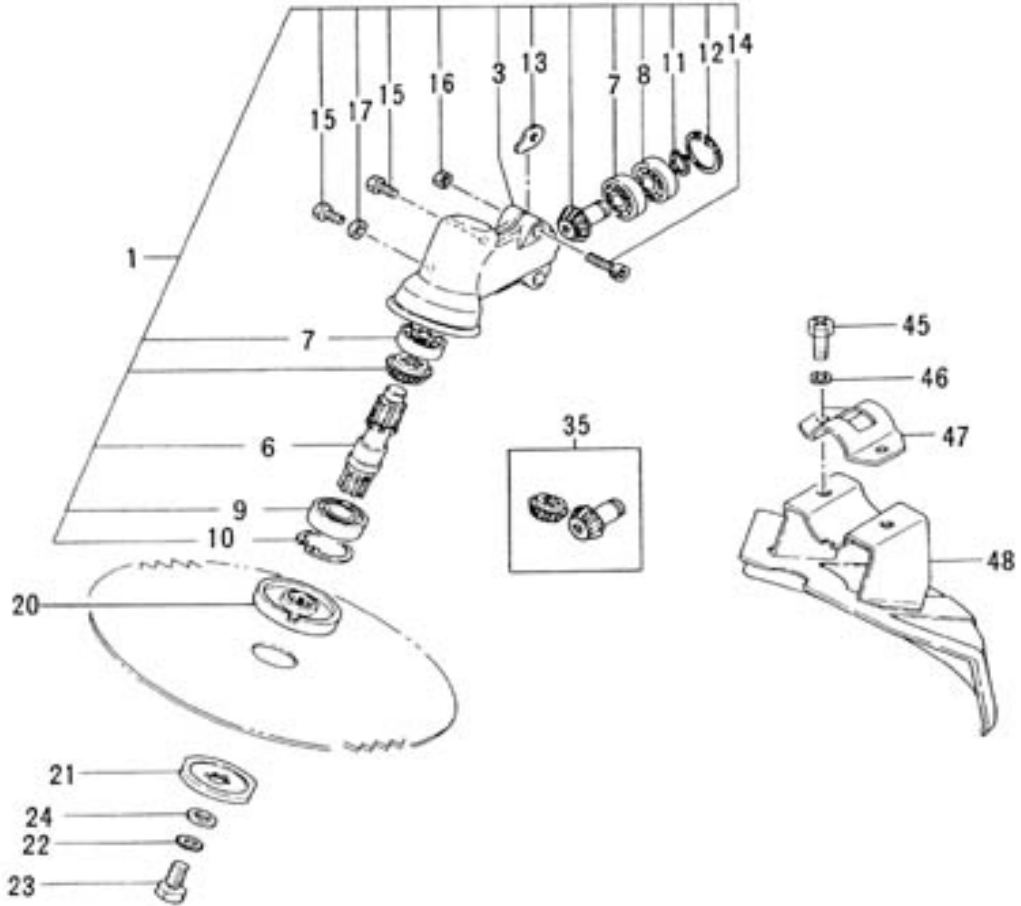
Ref.	Part No.	Description	Q'ty	Serial No.
000	455-25010-91	CARBURETOR ASS'Y, WA-127B	1	- L002900
000	455-25058-90	CARBURETOR ASS'Y WT-217	1	- P218650
001	575-25010-20	PUMP BODY	1	- L002900
001	575-25006-20	PUMP BODY	1	L002901 -
002	577-25007-20	PUMP GASKET	1	- L002900
002	577-25006-20	PUMP GASKET	1	L002901 -
003	576-25006-20	PUMP DIAPHRAGM	1	
004	475-25001-20	DIAPHRAGM GASKET	1	
005	474-25001-80	METERING DIAPHRAGM COMP.	1	
006	476-25004-20	DIAPHRAGM COVER	1	L002901 -
007	464-25010-80	THROTTLE SHAFT COMP.	1	- L002900
007	464-25041-80	THROTTLE SHAFT COMP.	1	L002901 -
008	486-25009-20	THROTTLE SPRING	1	- L002900
008	486-25008-20	THROTTLE SPRING	1	L002901 -
009	488-25027-20	THROTTLE VALVE	1	
010,1	557-25006-20	THROTTLE SHAFT CLIP	1	- L002900
010	489-25007-20	STOP RING	1	L002901 -
011	460-25010-21	HIGH ADJUST SCREW	1	- L002900
011	460-25053-20	HIGH ADJUST SCREW	1	L002901 -
012	485-25003-20	HIGH ADJUST SPRING	1	- L002900
012	485-25040-20	HIGH ADJUSTMENT SPRING	1	L002901 -
013	461-25010-20	LOW ADJUST SCREW	1	- L002900
013	461-25023-20	LOW ADJUST SCREW	1	L002901 -
014	623-25001-20	HIGH/LOW ADJUST SPRING	1	- L002900
014	623-25032-20	HIGH/LOW ADJUST SPRING	1	L002901 -
015	462-25006-20	IDLE ADJUST SCREW	1	
016	463-25006-20	IDLE ADJUST SPRING	1	- L002900
016	463-25012-20	IDLE ADJUST SPRING	1	L002901 -
017	477-25013-20	VALVE SPRING	1	- L002900
017	477-25007-20	VALVE SPRING	1	L002901 -
018	603-25001-20	NEEDLE VALVE	1	
019	473-25001-20	VALVE HINGE	1	
020	605-25001-20	HINGE PIN	1	
021	578-25007-20	INLET SCREEN	1	
		SEE NEXT PAGR		

P04
16

PM-32 GEAR CASE/GUARD (SERIAL NO.-N191000)

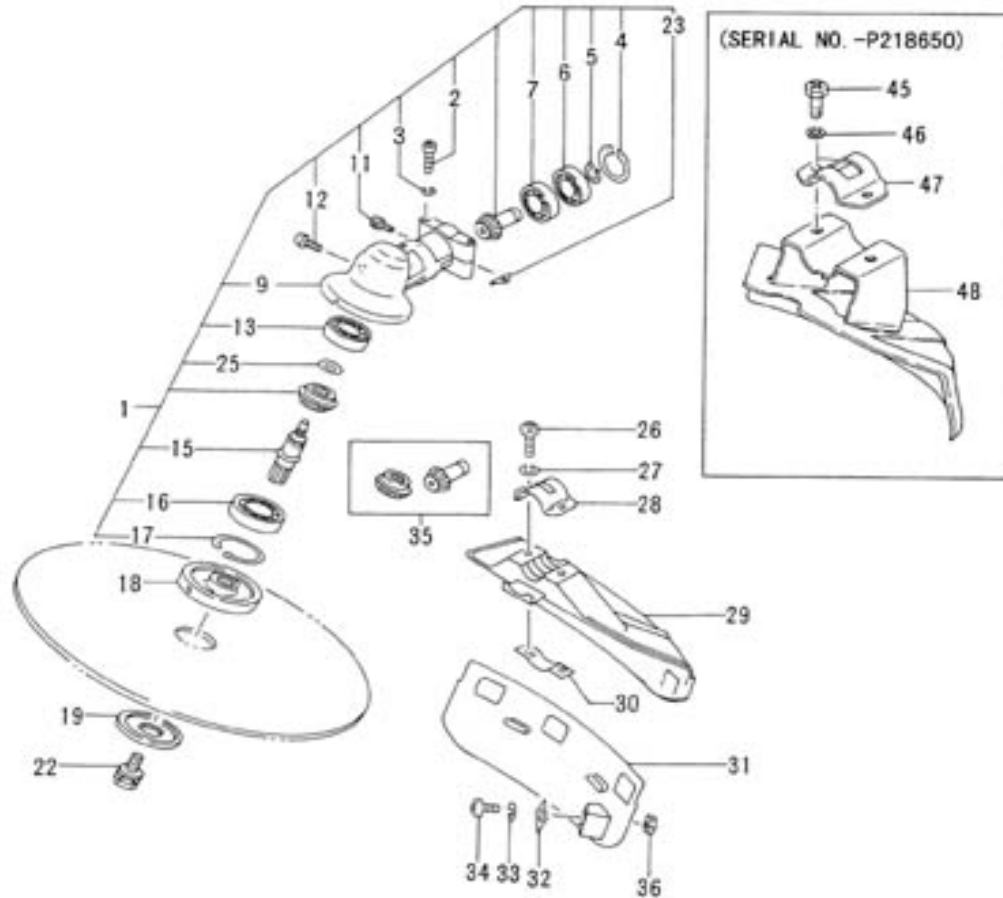
Parts List

Ref.	Part No.	Description	Q'ty	Serial No.
001	300-33383-90	GEAR CASE ASS'Y	1	
003	300-33383-20	GEAR CASE	1	
006	304-37000-20	GEAR SHAFT	1	
007	999-61600-000	BALL BEARING #6000, 26MM/OD	1	
008	999-61600-002	BALL BEARING #6000Z, 26MM/OD	1	
009	999-61600-203	BALL BEARING 6002D, 32MM/OD	1	
010	993-51032-002	STOP RING C-32, INNER	1	
011	993-50010-002	STOP RING C-10, OUTER	1	
012	993-51026-002	STOP RING C-26, INNER	1	
013	324-33410-20	GEAR CASE WASHER	2	
014	990-51050-203	HEX. HOLE BOLT 5X20	2	
015	990-23060-121	PLUS BOLT 6X12	2	
016	991-01050-011	HEX. NUT 5	2	
017	317-33411-20	OILING GASKET	1	
020	310-33524-20	CUTTER HOLDER	1	
021	311-33411-20	CUTTER HOLDER CAP	1	
022	992-29080-000	TOOTHED LOCK WASHER 8 L/H	1	
023	312-33411-20	CUTTER FIXING BOLT/L.H.T.	1	
024	992-01080-011	WASHER 8	1	
035	301-33411-00	GEAR-PINION SET, SPARE	1	
045	990-53060-153	HEX HOLE BUTTON SCREW 6X15	2	
046	992-10060-062	S.WASHER 6	2	
047	442-33671-20	COVER BRACKET, 26 DIA.	1	
048	441-37003-80	SAFETY GUARD COMP., METAL	1	



P04
17

PM-32 GEAR CASE/GUARD (SERIAL NO.N19001-)



Parts List

Ref.	Part No.	Description	Q'ty	Serial No.
001	300-37134-90	GEAR CASE ASSY, 26 DIA.	1	
002	994-61050-254	HEX. HOLE BOLT 5X25/S	2	
004	993-51024-002	STOP RING C-24, INNER	1	
005	993-50009-002	STOP RING C-9, OUTER	1	
006	999-61609-002	BALL BEARING 609Z ST	1	
007	999-61609-000	BALL BEARING 609	1	
009	300-3330B-20	GEAR CASE, SILVER	1	
011	990-51050-103	HEX. HOLE BOLT 5X10	1	
012	994-23080-100	PLUS HEAD BOLT 8X10	1	
013	999-61628-000	BALL BEARING 628 ST	1	
015	304-37380-20	GEAR SHAFT	1 - P218650	
015	304-37134-20	GEAR SHAFT	1	P218651 -
016	999-61620-103	BALL BEARING 6201D, 32MM/OD	1	
017	993-51032-002	STOP RING C-32, INNER	1	
018	310-37623-20	CUTTER HOLDER	1	
019	311-37300-20	CUTTER HOLDER CAP	1	
021	308-33410-20	PROTECTION COVER B	1	
022	312-33386-20	FIXING BOLT, L.H.	1	
023	324-37350-20	GEAR CASE WASHER	1	
025	067-37134-20	SPECIAL WASHER 1.0	1	P218651 -
026	990-53060-253	HEX HOLE BUTTON SCREW 6X25	2	P218651 -
027	992-10060-062	S.WASHER 6	2	P218651 -
028	442-33699-20	COVER BRACKET, 26 DIA.	1	P218651 -
029	441-37380-20	SAFETY COVER, CE	1	P218651 -
030	445-37380-20	SAFETY COVER HOLDER	1	P218651 -
031	447-37380-20	COVER GUARD	1	P218651 -
032	797-37380-21	KNIFE	1	P218651 -
034	994-14050-121	SCREW 5X12/S	1	P218651 -
035	301-33395-00	GEAR-PINION SET,M1.5, SPARE	1 - P218650	
035	301-37134-00	GEAR-PINION SET, SPARE	1	P218651 -
036	991-01050-011	HEX. NUT 5	1	P218651 -
045	990-53060-153	HEX HOLE BUTTON SCREW 6X15	2 - P218650	
046	992-10060-062	S.WASHER 6	2 - P218650	
047	442-33671-20	COVER BRACKET, 26 DIA.	1 - P218650	
048	441-37003-80	SAFETY GUARD COMP., METAL	1 - P218650	