

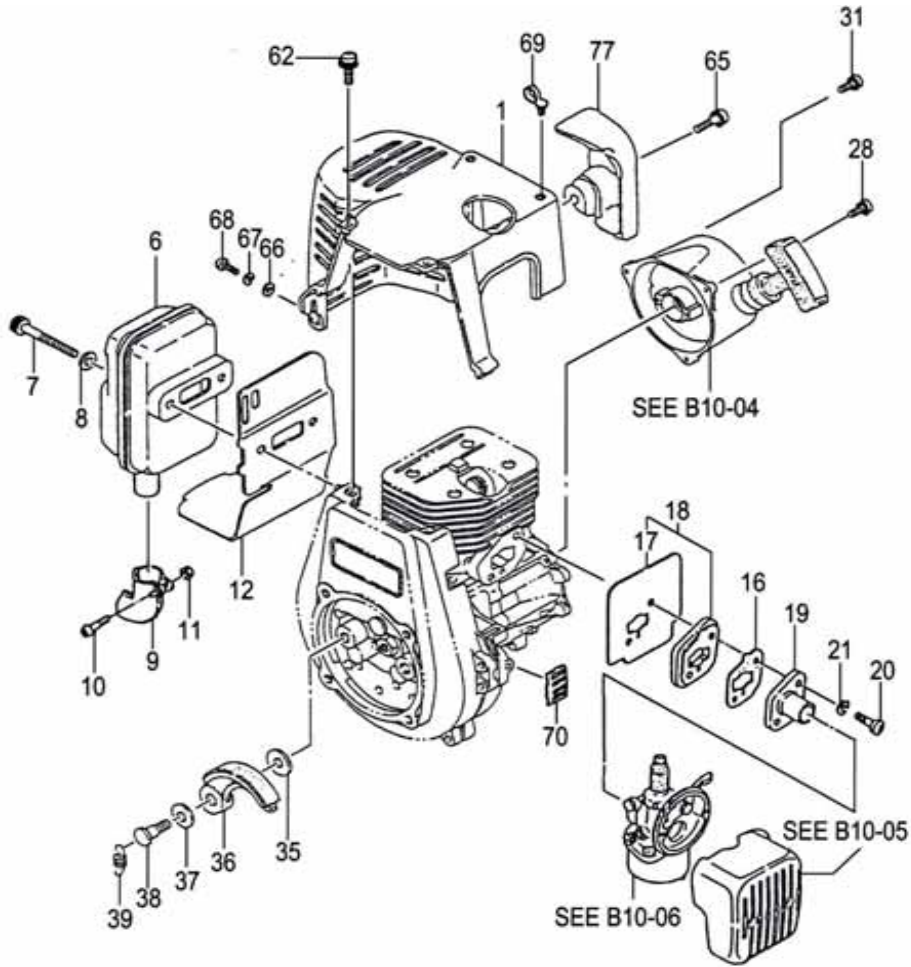
B10

Tanaka

SUM 400/N

B10
03

SUM-400,N ENGINE

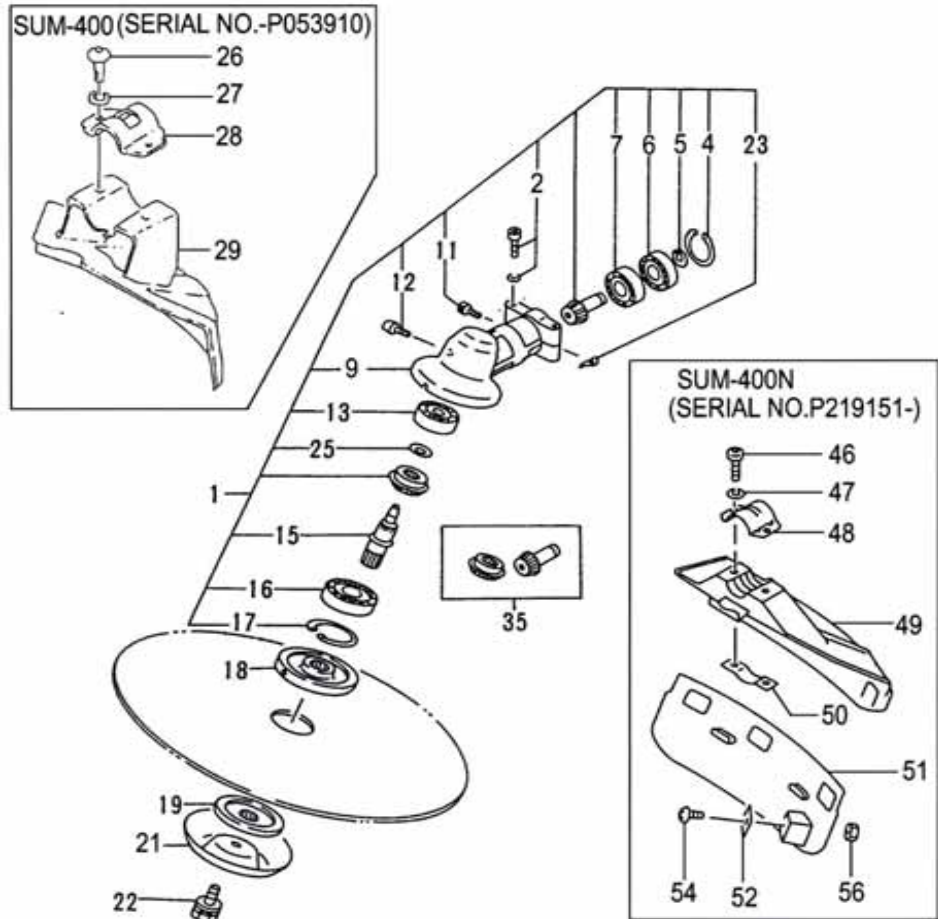


Parts List

Ref.	Part No.	Description	Q'ty	Serial No.
001	738-01380-21	MUFFLER PROTECTOR, BLACK	1	
006	706-01350-80	MUFFLER COMP.	1	
007	990-53060-603	HEX. HOLE BUTTON SCREW 6X60	2	
008	992-01060-011	WASHER 6	2	
009	708-01028-80	TAIL PIPE COMP.	1	
010	990-11040-121	SCREW 4X12	1	
011	991-01040-011	HEX. NUT 4	1	
012	133-01350-21	HEAT SHIELD	1	
016	403-0130C-20	INLET MANIFOLD GASKET	1	
017	403-01350-21	INLET MANIFOLD GASKET	1	
018	404-01305-90	INLET MANIFOLD SET	1	
019	393-01350-20	INLET MANIFOLD	1	
020	990-11050-252	SCREW 5X25	2	
021	992-10050-042	S.WASHER 5	2	
028	994-16040-161	SCREW 4X16WS	2	
031	994-16040-251	SCREW 4X25/WS	1	
035	359-10112-20	CLUTCH WASHER B	2	
036	290-0136U-80	CLUTCH SHOE COMP.	2	- P017000
036	290-0138A-80	CLUTCH ARM COMP.	2	P017001 -
037	358-10112-20	CLUTCH WASHER A	2	
038	357-0136U-20	CLUTCH STEP BOLT	2	
039	342-0136U-20	CLUTCH SPRING	1	- P017000
039	342-0138A-20	CLUTCH SPRING	1	P017001 -
062	994-15040-121	SCREW 4X12/PS	2	
065	994-15050-251	SCREW 5X25 PS	1	
066	992-01040-011	WASHER 4	1	- P053610
067	992-10040-012	S.WASHER 4	1	- P053610
068	990-11040-121	SCREW 4X12	1	- P053610
069	701-0130C-20	FUEL PIPE CLAMP	1	
070	091-01300-20	PARTITION	1	Q043061 -
077	132-0130A-20	FLASH PAN	1	P219151 -

B10
13

SUM-400,N GEAR CASE/GUARD(SERIAL NO.-W107050)



Parts List

Ref.	Part No.	Description	Q'ty	Serial No.
001	300-37134-90	GEAR CASE ASSY, 26 DIA.	1	
002	994-61050-254	HEX. HOLE BOLT 5X25/S	2	
004	993-51024-002	STOP RING C-24, INNER	1	
005	993-50009-002	STOP RING C-9, OUTER	1	
006	999-61609-002	BALL BEARING 609Z ST	1	
007	999-61609-000	BALL BEARING 609	1	
009	300-3330B-20	GEAR CASE, SILVER	1	
011	990-51050-103	HEX. HOLE BOLT 5X10	1	
012	994-23080-100	PLUS HEAD BOLT 8X10	1	
013	999-61628-000	BALL BEARING 628 ST	1	
015	304-37380-20	GEAR SHAFT	1	- P219150
015	304-37134-20	GEAR SHAFT	1	P219151 -
016	999-61620-103	BALL BEARING 6201D, 32MM/OD	1	
017	993-51032-002	STOP RING C-32, INNER	1	
018	310-38100-20	CUTTER HOLDER, 12X10X1	1	
019	311-37300-20	CUTTER HOLDER CAP	1	
021	308-33410-20	PROTECTION COVER B	1	R275201 -
022	312-33386-20	FIXING BOLT, L.H.	1	
023	324-37350-20	GEAR CASE WASHER	1	
025	067-37134-20	SPECIAL WASHER 1.0	1	P219151 -
026	990-53060-153	HEX HOLE BUTTON SCREW 6X15	2	
027	992-10060-062	S.WASHER 6	2	
028	442-33671-20	COVER BRACKET, 26 DIA.	1	
029	441-37003-80	SAFETY GUARD COMP., METAL	1	
035	301-33395-00	GEAR-PINION SET,M1.5, SPARE	1	- P219150
035	301-37134-00	GEAR-PINION SET, SPARE	1	P219151 -
046	990-53060-253	HEX HOLE BUTTON SCREW 6X25	2	- T274686
046	994-81060-254	HEX. HOLE BUTTON SCREW 6X25S	2	T274687 -
047	992-10060-062	S.WASHER 6	2	- T274686
048	442-33699-20	COVER BRACKET, 26 DIA.	1	
049	441-37380-20	SAFETY COVER, CE	1	
050	445-37380-20	SAFETY COVER HOLDER	1	
051	447-37380-20	COVER GUARD	1	
052	797-37380-21	KNIFE	1	
054	994-14050-121	SCREW 5X12/S	1	
056	991-01050-011	HEX. NUT 5	1	

