

B14

Tanaka

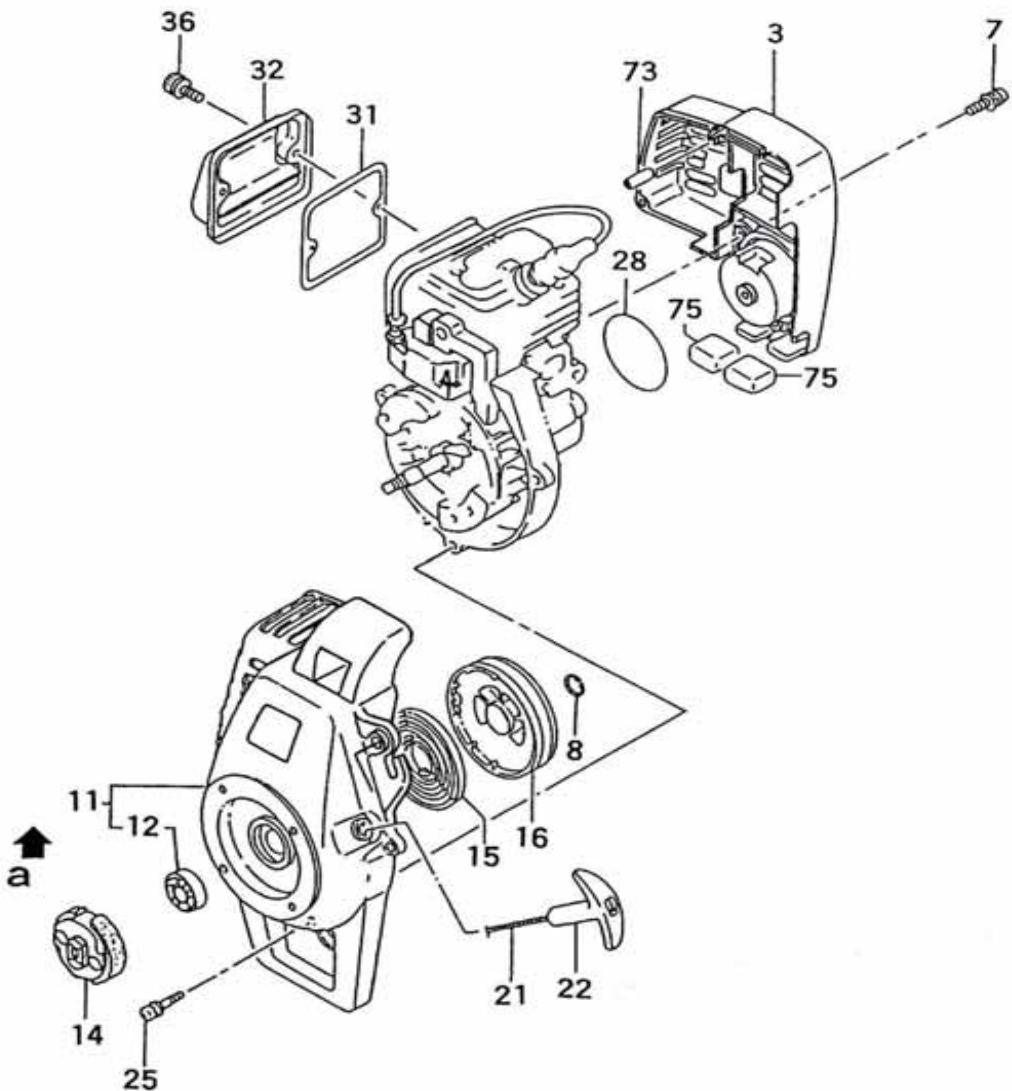
TBC 2251

B14
05

TBC-2251 ENGIN-2

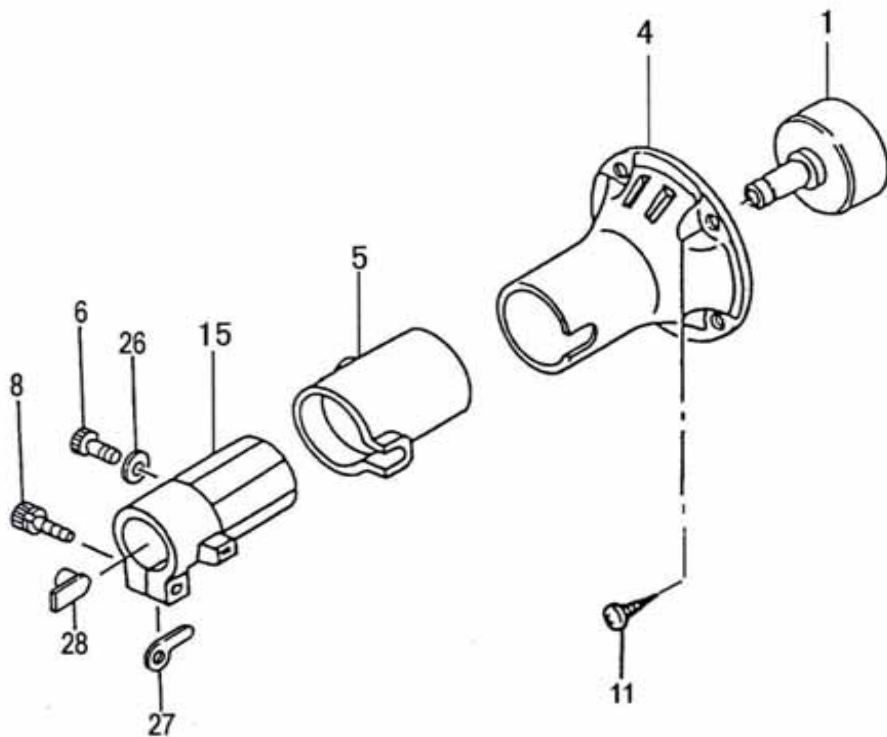
Parts List

Ref.	Part No.	Description	Q'ty	Serial No.
003	738-00070-20	MUFFLER PROTECTOR	1	
007	994-63050-204	HEX.HOLE BOLT 5X20PS	3	
008	993-52017-002	STOP RING S-17, OUTER	1	
011	112-00070-80	FAN CASE COMP.	1	
012	999-61600-001	BALL BEARING #6000ZZ, 26MM/OD	1	
014	277-0635M-80	CLUTCH COMP,48MM	1	
015	779-07000-20	RECOIL SPRING	1	
016	774-07000-21	STARTER PULLEY	1	
021	783-01740-20	STARTER ROPE 3X890	1	
022	785-07000-20	STARTER HANDLE	1	
025	994-15050-252	SCREW 5X25PS	3	
028	999-67048-012	O-RING S-48	1	
031	739-00025-20	MUFFLER GASKET	1	
032	717-00025-80	MUFFLER BODY B COMP.	1	
036	994-60050-104	HEX. HOLE BOLT 5X10W	2	
073	700-15007-01	RUBBER PIPE 5X7X18	1 - V005484	
075	655-06400-20	FUEL TANK CUSHION RUBBER	2	



B14
08

TBC-2251 CLUTCH CASE

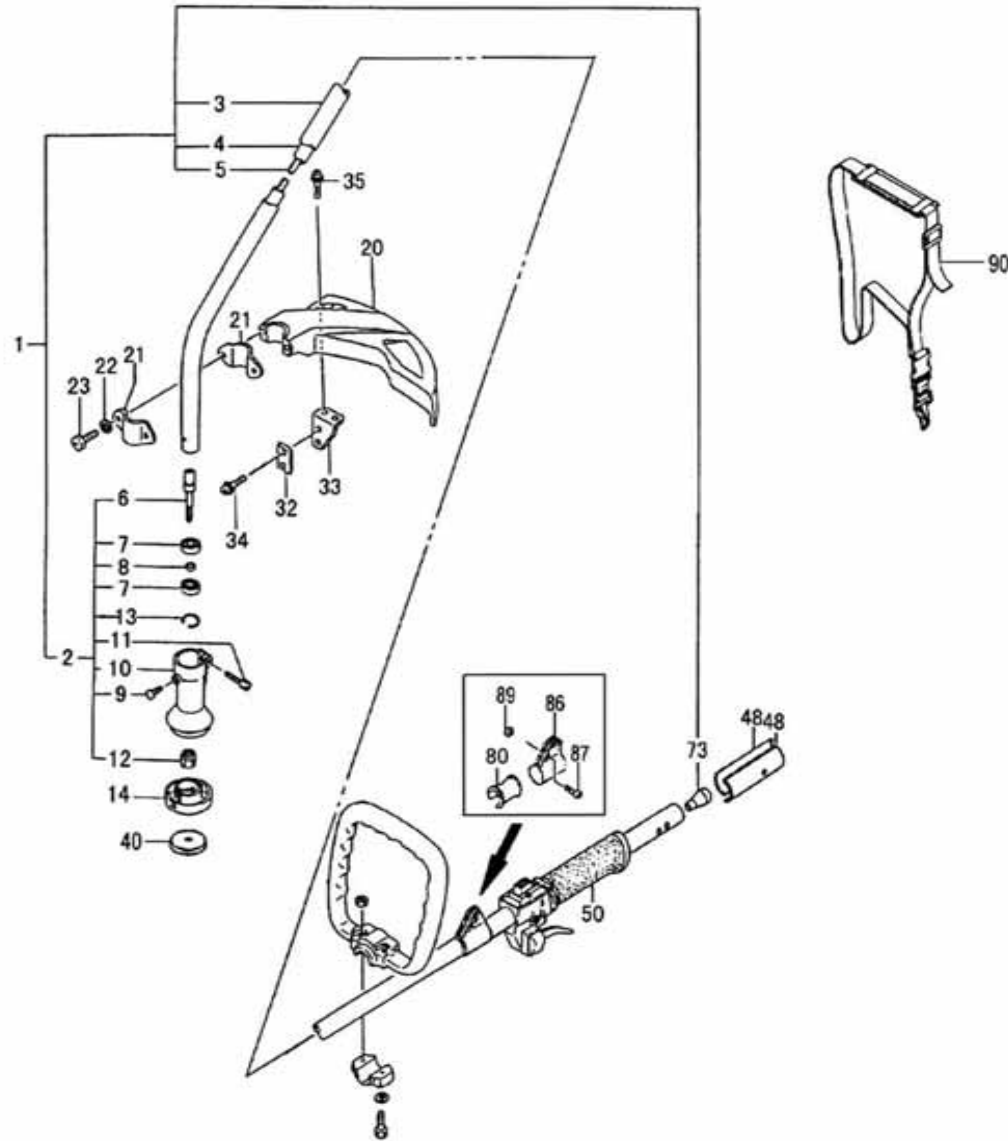


Parts List

Ref.	Part No.	Description	Q'ty	Serial No.
001	289-00025-80	CLUTCH DRUM COMP.	1	
004	331-07000-81	CLUTCH CASE COMP.	1	
005	599-00980-21	CUSHION RUBBER	1	
006	990-51050-163	HEX. HOLE BOLT 5X16	1	
008	994-61050-254	HEX. HOLE BOLT 5X25/S	1	
011	990-73050-184	TAPPING SCREW 5X18	4	
015	360-00990-20	PIPE HOLDER, 24 DIA.	1	
026	992-01050-061	WASHER 5	1	
027	324-37350-20	GEAR CASE WASHER	1	
028	361-00990-20	METAL FITTING	1	

B14
10

TBC-2251 DRIVE SHAFT/GEAR CASE/SAFTY GUARD (AU)



Parts List

Ref.	Part No.	Description	Q'ty	Serial No.
001	341-3737A-91	DRIVE SHAFT PIPE ASS'Y	1	
002	300-37710-91	CUTTER CASE ASS'Y	1	
003	341-3737A-20	MAIN PIPE	1	
004	350-37651-21	FLEXIBLE LINER	1	
005	344-37651-21	FLEXIBLE SHAFT	1	
006	304-37651-21	CUTTER SHAFT	1	
007	999-61608-004	BALL BEARING 608DD, 22MM/OD	2	
008	348-37651-20	COLLAR	1	
009	990-11050-081	SCREW 5X8	1	
010	300-37710-21	CUTTER CASE	1	
011	994-25050-301	BOLT 5X30 PS W/PLUS	1	
012	315-37710-20	SPECIAL NUT	1	
013	993-53022-002	STOP RING R-22, INNER	1	U023701 -
014	310-37710-20	CUTTER HOLDER	1	
020	441-37701-81	SAFETY GUARD COMP.	1	
021	442-37710-20	SAFETY GUARD BRACKET	2	
022	992-10060-012	S.WASHER 6	2	
023	990-23060-161	PLUS BOLT 6X16	2	
032	797-37714-20	KNIFE	1	
033	798-37714-20	KNIFE BRACKET	1	
034	994-14040-081	SCREW 4X8/S	2	
035	994-15050-161	SCREW 5X16/PS	2	
040	311-33005-20	CUTTER HOLDER CAP	1	
048	346-3737A-20	HOLDER, PIPE	2	
050	504-37400-20	SHAFT GRIP	1	
073	320-37651-20	SPACER	1	
080	326-37703-20	ANTI-VIBE RUBBER	1	- V182200
086	335-37771-20	LIFTING METAL, 23 DIA.	1	
087	994-14050-161	SCREW 5X16/S	1	
089	991-01050-011	HEX. NUT 5	1	
090	746-3738F-90	SHOULDER BELT ASS'Y, SINGLE	1	

B14
13

TBC-2251 TOOLS

Parts List

Ref.	Part No.	Description	Q'ty	Serial No.
001	813-20000-20	HEX. WRENCH 4	1	
002	829-20000-80	COMBI BOX SPANNER 13X19 ,PLUS	1	

