

**B07**

***Tanaka***

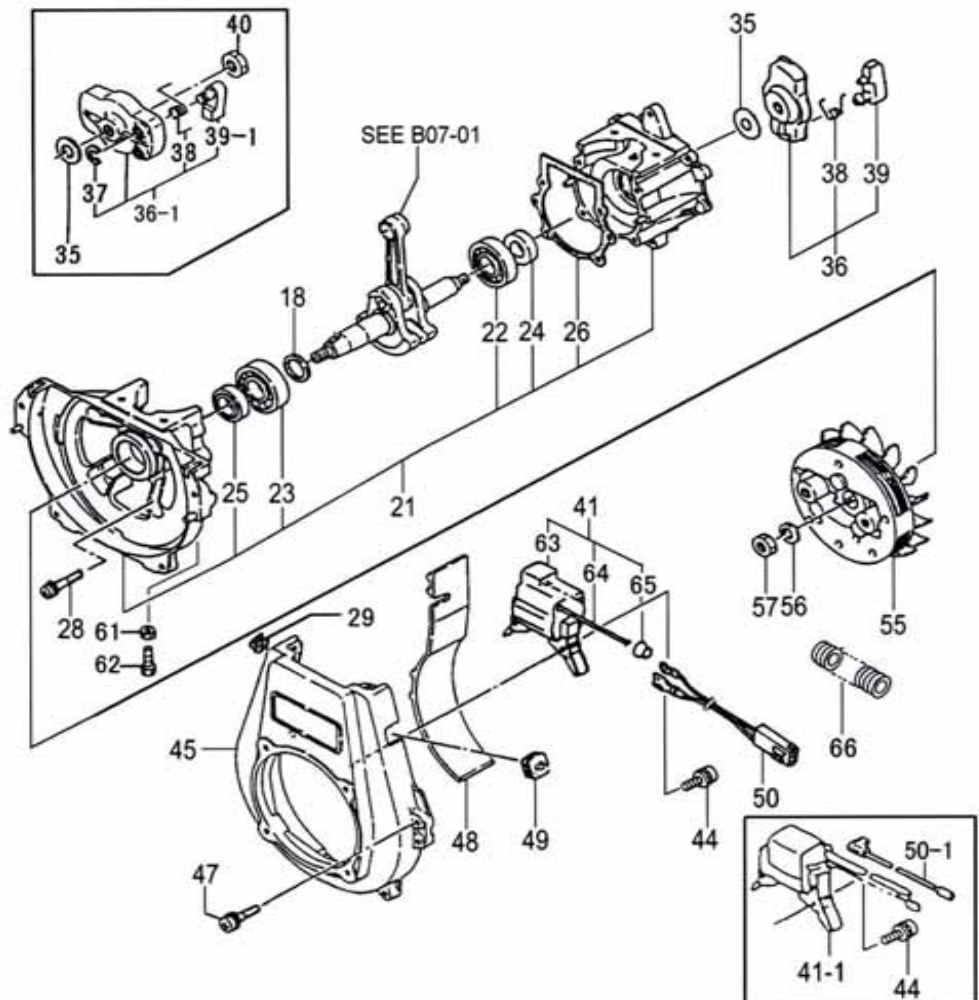
**TBC 355/SDH**



B07  
02-1

# TBC-355SDH CRANK CASE

## Parts List



Ref.	Part No.	Description	Q'ty	Serial No.
018	071-02007-20	CRANK SHAFT SHIM 0.05	V	
018	071-02007-21	CRANK SHAFT SHIM 0.10	V	
018	071-02007-22	CRANK SHAFT SHIM 0.15	V	
018	071-02007-23	CRANK SHAFT SHIM 0.20	V	
018	071-02007-24	CRANK SHAFT SHIM 0.30	V	
021	072-0138T-91	CRANK CASE ASS'Y	1	P219450
021	072-0138A-90	CRANK CASE ASS'Y	1	P219451 -
022	999-61600-200	BALL BEARING #6002, 32MM/OD	1	
023	999-61620-200	BALL BEARING #6202, 35MM/OD	1	
024	999-66122-200	OIL SEAL TB 12227	1	
025	999-66152-500	OIL SEAL 15257	1	
026	090-01380-20	CRANK CASE GASKET	1	
028	994-14050-251	SCREW 5X25/S	4	
029	203-06000-20	PRIMARY CORD GROMMET	1	L122850
035	359-10112-20	CLUTCH WASHER B	1	
036,1	798-0162V-90	STARTER PULLEY ASS'Y	1	N001000
036	798-0166R-90	STARTER PULLEY ASS'Y	1	N001001 -
037	993-55050-000	STOP RING E-5	1	N001000
038	790-0162V-20	STARTER PAWL SPRING	1	
039,1	788-0162V-20	STARTER PAWL	1	N001000
039	788-0138A-20	STARTER PAWL	1	N001001 -
040	991-01080-011	HEX. NUT 8	1	N001000
041,1	167-21960-80	IGNITION COIL COMP.,150	1	W047624
041	167-20531-90	IGNITION COIL ASS'Y	1	W047625 -
044	994-16040-226	SCREW 4X22/WS	2	
045	112-01360-22	FAN CASE	1	
047	994-14050-181	SCREW 5X18/S	4	
048	132-01300-20	FLASH PAN	1	
049	203-0604A-20	GROMMET	1	
050,1	178-0137H-81	STOP CORD COMP.	1	P219450
050	191-01434-90	LEAD WIRE ASS'Y	1	W047625 -
055	155-21733-80	MAGNETO ROTOR COMP.	1	
056	992-01080-011	WASHER 8	1	
057	991-01080-011	NUT 8	1	
		SEE NEXT PAGE		



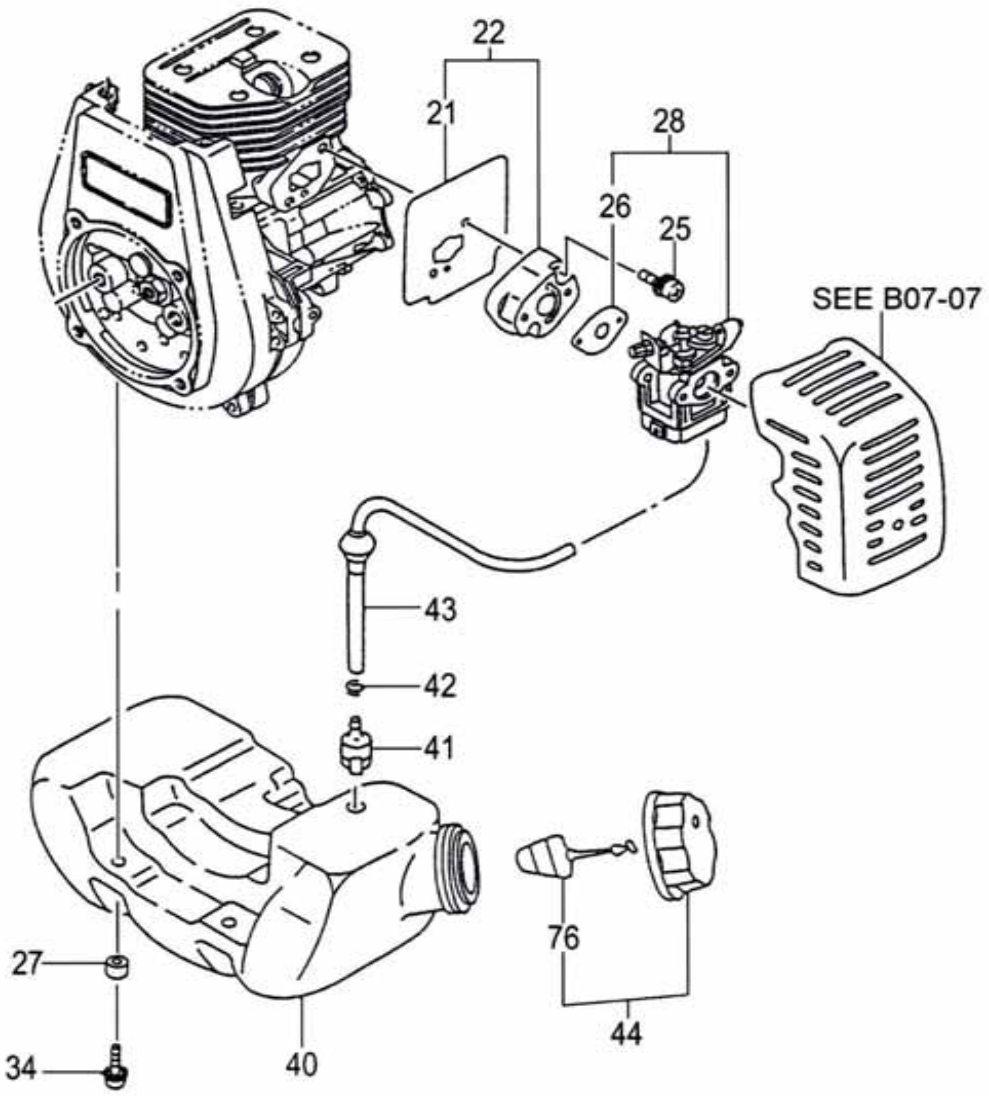


B07  
04

### TBC-355SDH ENGINE-1(SERIAL NO.P219451-)

### Parts List

Ref.	Part No.	Description	Q'ty	Serial No.
021	403-0143C-21	INLET MANIFOLD GASKET	1	
022	404-0143C-90	CARBURETOR INSULATOR SET, SPARE	1	
025	994-16050-221	SCREW 5X22/WS	2	
026	402-0602K-21	CARBURETOR GASKET	1	
027	659-00801-20	COLLAR 5.8	3	
028	455-0143C-90	CARBURETOR SET, SPARE	1	
034	994-15050-181	SCREW 5X18/PS	3	
040	591-0138A-20	FUEL TANK, VERMILION	1	
041	675-01630-90	PUMP FILTER BODY ASS'Y	1	
042	680-00731-20	CLIP, 6.3 DIA.	1	
043	223-0622U-90	FUEL PIPE ASS'Y L=195	1	
044	595-01380-90	TANK CAP D ASS'Y, ORANGE	1	
076	626-32550-20	TANK CAP CHAIN	1	





















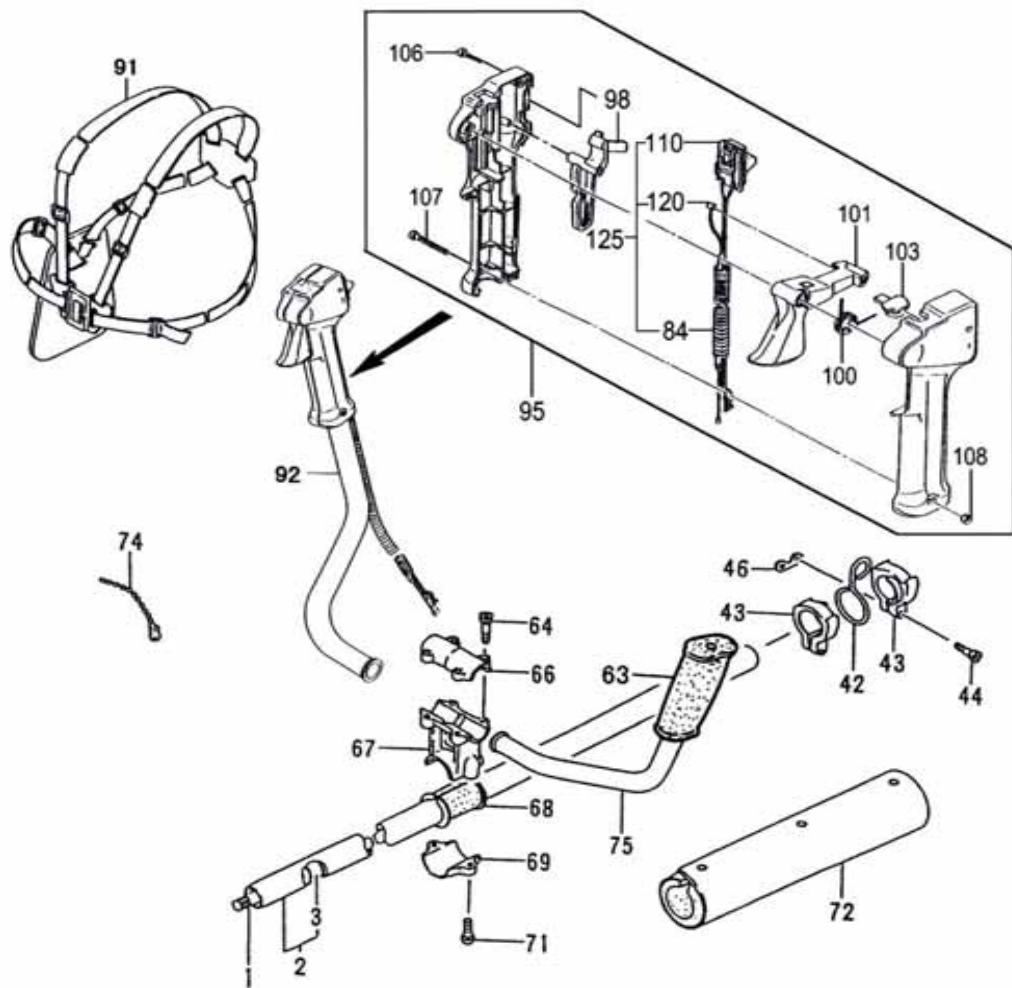






B07  
15

**TBC-355SDH OPERATION PIPE (SERIAL NO. W047625 -)**

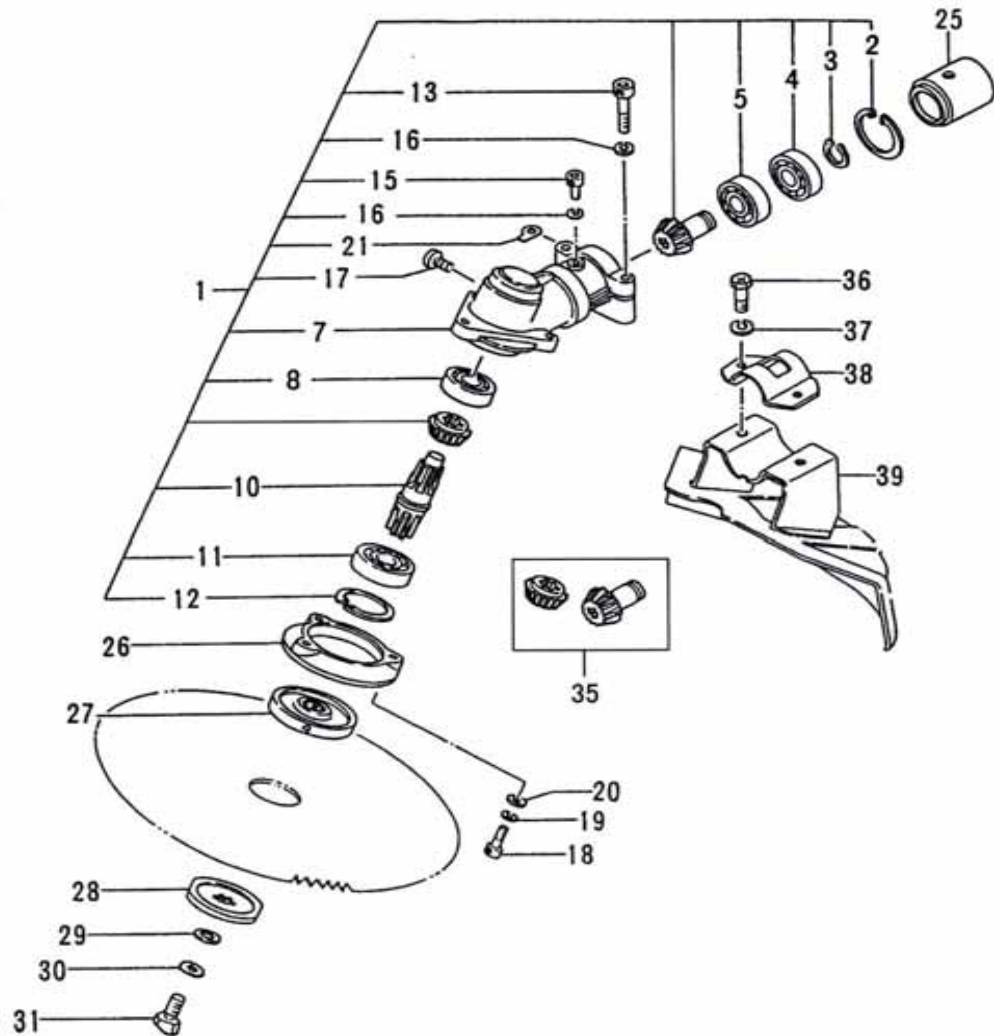


**Parts List**

Ref.	Part No.	Description	Q'ty	Serial No.
001	343-33699-20	DRIVE SHAFT 1480.5L	1	
002	341-37378-80	DRIVE SHAFT PIPE COMP.	1	
003	347-37356-90	BUSHING ASS'Y	5	
042	335-37307-20	LIFTING METAL, 90 DGR SWIVEL	1	
043	334-37352-21	LIFTING METAL COLLAR 26	2	
044	994-62050-304	HEX. HOLE BOLT 5X30.P	2	
046	315-37304-20	SPECIAL NUT	1	
063	165-37590-20	HANDLE GRIP	1	
064	994-61050-254	HEX. HOLE BOLT 5X25/S	4	
066	506-37623-20	HANDLE BRACKET A	1	
067	507-37623-20	HANDLE BRACKET B	1	
068	510-37352-20	CUSHION RUBBER	1	
069	508-37623-20	HANDLE BRACKET C	1	
071	994-81060-254	HEX. HOLE BUTTON SCREW 6X25S	2	
072	336-33411-82	CUSHION PAD COMP.	1	
074	460-33111-20	CLAMP B.	1	
075	502-37415-21	LEFT HANDLE	1	
084	164-07086-50	PROTECTION TUBE	1	
091	746-37455-91	SHOULDER BELT ASS'Y,CR/DOUBLE	1	
092	501-37822-20	RIGHT HANDLE	1	
095	870-38401-90	THROTTLE LEVER ASS'Y, 19 DIA.	1	
098	253-38400-20	SAFETY LEVER	1	
100	832-38400-20	RETURN SPRING	1	
101	880-38401-20	THROTTLE LEVER	1	
103	322-38400-20	BLIND PLUG	1	
106	993-46040-202	SCREW 4X20, BLACK	2	
107	994-31050-303	SCREW 5X30, BLACK	1	
108	991-01050-043	CONTAL NUT 5	1	
110	156-38401-80	STOP SWITCH	1	
120	887-38401-80	THROTTLE WIRE	1	
125	885-38401-80	THROTTLE WIRE COMP.	1	

B07  
16

**TBC-355SDH GEAR CASE/GUARD(SERIAL NO.-N212160)**

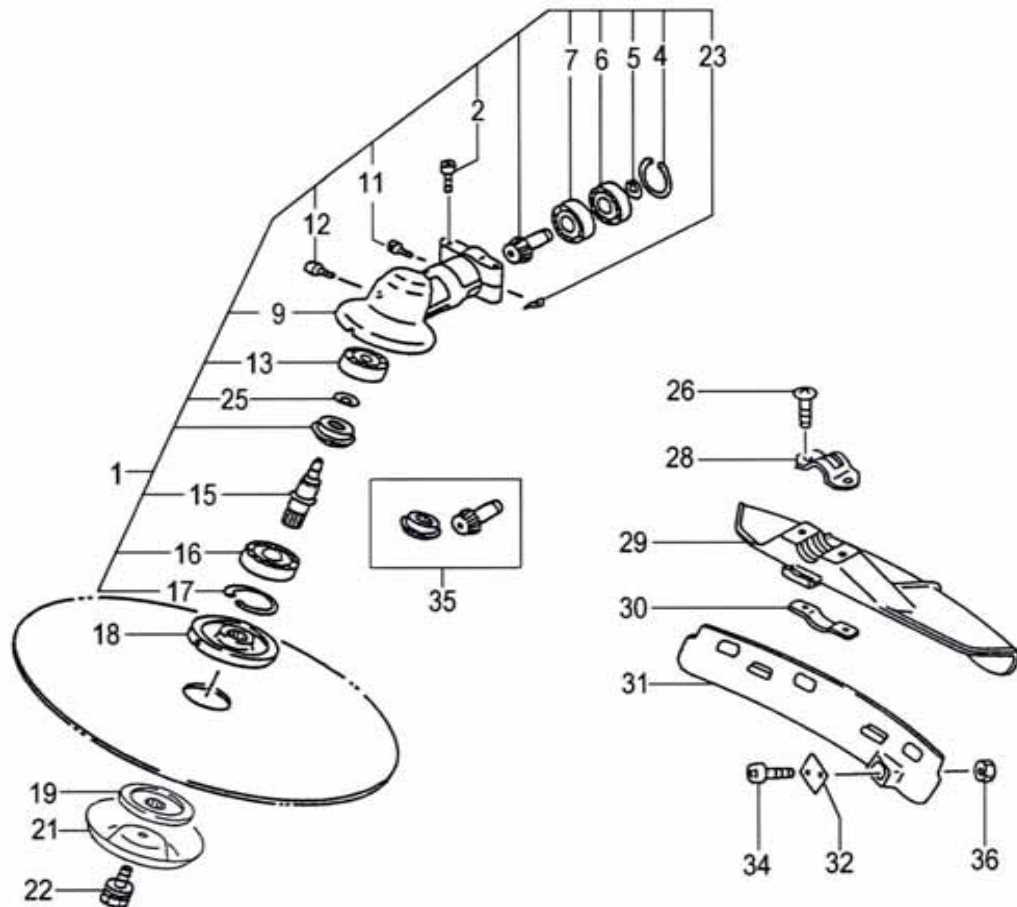


**Parts List**

Ref.	Part No.	Description	Q'ty	Serial No.
001	300-33689-91	GEAR CASE ASS'Y	1	
002	993-51028-002	STOP RING C-28, INNER	1	
003	993-50012-002	STOP RING C-12, OUTER	1	
004	999-61600-101	BALL BEARING 6001ZZ, 28MM/OD	1	
005	999-61600-100	BALL BEARING #6001, 28MM/OD	1	
007	300-37100-21	GEAR CASE, VERMILION	1	
008	999-61600-000	BALL BEARING #6000, 26MM/OD	1	
010	304-37100-20	GEAR SHAFT	1	
011	999-61620-303	BALL BEARING #6203D, 40MM/OD	1	
012	993-51040-002	STOP RING C-40, INNER	1	
013	990-51050-253	HEX. HOLE BOLT 5X25	2	
015	990-51050-123	HEX. HOLE BOLT 5X12	1	
016	992-10050-062	S.WASHER 5	3	
017	990-14080-104	TRUSS HEAD SCREW 8X10	1	
018	990-51050-153	HEX. HOLE BOLT 5X15	3	
019	992-10050-062	S.WASHER 5	3	
020	992-01050-011	WASHER 5	3	
021	324-37100-20	GEAR CASE WASHER	2	- K231730
021	324-37110-20	GEAR CASE WASHER	2	K231731 -
025	320-33689-21	SPACER	1	
026	307-37100-80	PROTECTION COVER A COMP.	1	
027	310-37100-20	CUTTER HOLDER	1	
028	311-33411-20	CUTTER HOLDER CAP	1	
029	992-01080-011	WASHER 8	1	
030	992-29080-000	TOOTHED LOCK WASHER 8 L/H	1	
031	312-33411-20	CUTTER FIXING BOLT/L.H.T.	1	
035	301-37100-00	GEAR-PINION SET, SPARE	1	
036	990-53060-153	HEX HOLE BUTTON SCREW 6X15	2	
037	992-10060-062	S.WASHER 6	2	
038	442-33671-20	COVER BRACKET, 26 DIA.	1	
039	441-37003-80	SAFETY GUARD COMP., METAL	1	

B07  
17

**TBC-355SDH GEAR CASE/GUARD (SERIAL NO.- W047624)**



**Parts List**

Ref.	Part No.	Description	Q'ty	Serial No.
001	300-37134-90	GEAR CASE ASSY, 26 DIA.	1	
002	994-61050-254	HEX. HOLE BOLT 5X25/S	2	
004	993-51024-002	STOP RING C-24, INNER	1	
005	993-50009-002	STOP RING C-9, OUTER	1	
006	999-61609-002	BALL BEARING 609Z ST	1	
007	999-61609-000	BALL BEARING 609	1	
009	300-37380-20	GEAR CASE, 26 DIA.	1	- Q233160
009	300-3330B-20	GEAR CASE, 26 DIA.	1	Q233161 -
011	990-51050-103	HEX. HOLE BOLT 5X10	1	
012	994-23080-100	PLUS HEAD BOLT 8X10	1	
013	999-61628-000	BALL BEARING 628 ST	1	
015	304-37380-20	GEAR SHAFT	1	- P219450
015	304-37134-20	GEAR SHAFT	1	P219451 -
016	999-61620-103	BALL BEARING 6201D, 32MM/OD	1	
017	993-51032-002	STOP RING C-32, INNER	1	
018	310-38100-20	CUTTER HOLDER, 12X10X1	1	
019	311-37300-20	CUTTER HOLDER CAP	1	
021	308-33410-20	PROTECTION COVER B	1	
022	312-33386-20	FIXING BOLT, L.H.	1	
023	324-37350-20	GEAR CASE WASHER	1	
025	067-37134-20	SPECIAL WASHER 1.0	1	P219451 -
026	994-81060-254	HEX. HOLE BUTTON SCREW 6X25S	2	
028	442-33699-20	COVER BRACKET, 26 DIA.	1	
029	441-37380-20	SAFETY COVER, CE	1	
030	445-37380-20	SAFETY COVER HOLDER	1	
031	447-37380-20	COVER GUARD	1	
032	797-37380-21	KNIFE	1	
034	994-14050-121	SCREW 5X12/S	1	
035	301-33395-00	GEAR-PINION SET, M1.5, SPARE	1	- P219450
035	301-37134-00	GEAR-PINION SET, SPARE	1	P219451 -
036	991-01050-011	HEX. NUT 5	1	



B07  
19

# TBC-355SDH TOOLS

## Parts List

Ref.	Part No.	Description	Q'ty	Serial No.
002	801-20000-20	SPANNER 8X10	1	
005	826-20000-80	COMBI, BOX WRENCH 17X19	1	
030	813-20000-20	HEX. WRENCH 4	1	
046	615-37224-20	CUTTER COVER	2	

