

**S05**

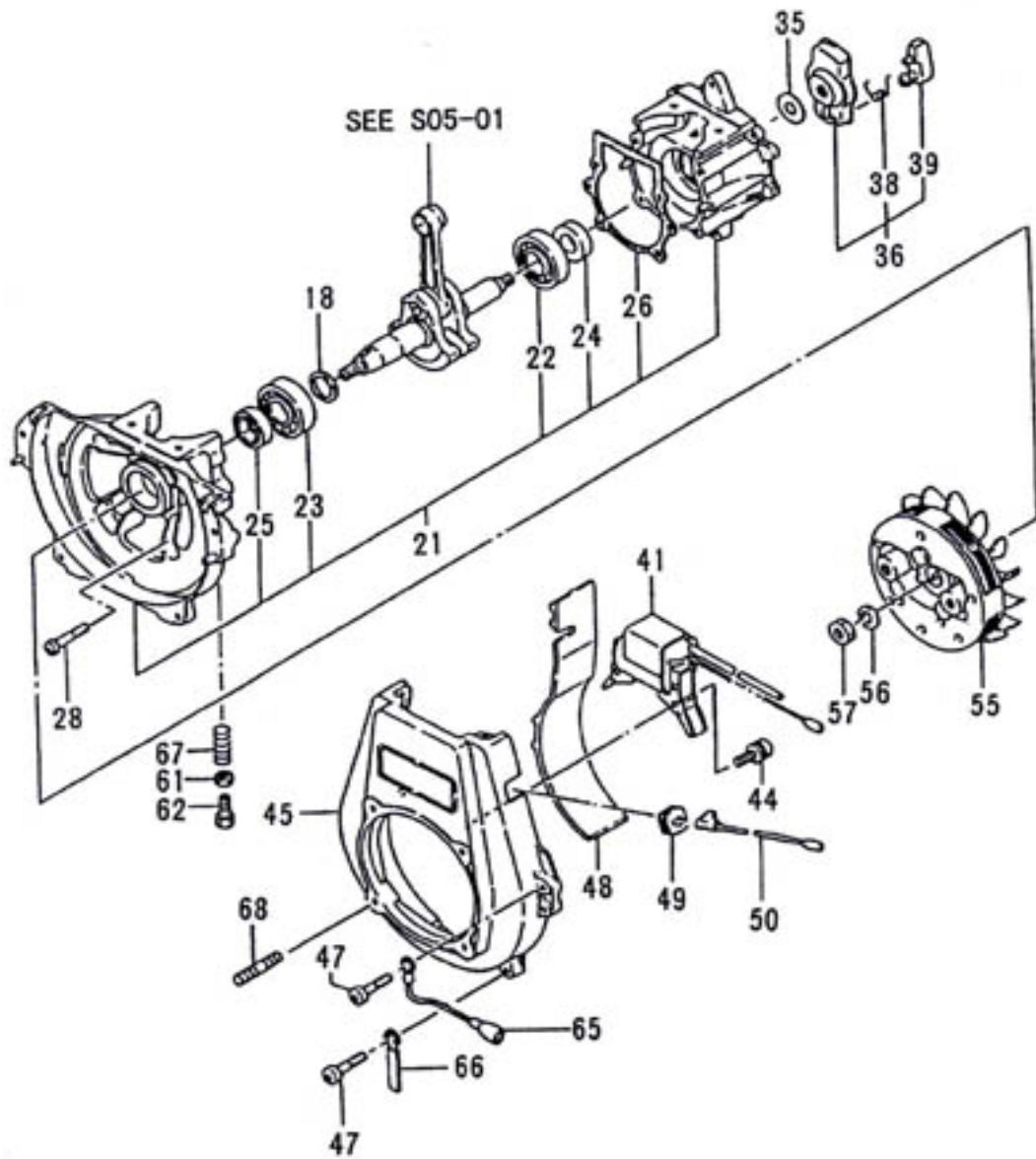
***Tanaka***

**TIA 340**



S05  
02

## TIA-340 CRANK CASE



### Parts List

Ref.	Part No.	Description	Q'ty	Serial No.
018	071-02007-20	CRANK SHAFT SHIM 0.05	V	
018	071-02007-21	CRANK SHAFT SHIM 0.10	V	
018	071-02007-22	CRANK SHAFT SHIM 0.15	V	
018	071-02007-23	CRANK SHAFT SHIM 0.20	V	
018	071-02007-24	CRANK SHAFT SHIM 0.30	V	
021	072-0130A-91	CRANK CASE ASS'Y	1	
022	999-61600-200	BALL BEARING #6002, 32MM/OD	1	
023	999-61620-200	BALL BEARING #6202, 35MM/OD	1	
024	999-66122-200	OIL SEAL TB 12227	1	
025	999-66152-500	OIL SEAL 15257	1	
026	090-01300-20	CRANK CASE GASKET	1	
028	994-14050-251	SCREW 5X25/S	4	
035	359-10112-20	CLUTCH WASHER B	1	
036	798-0166R-90	STARTER PULLEY ASS'Y	1	
038	790-0162V-20	STARTER PAWL SPRING	1	
039	788-0138A-20	STARTER PAWL	1	
041	167-21960-80	IGNITION COIL COMP.,150	1	
044	994-16040-226	SCREW 4X22/WS	2	
045	112-01440-20	FAN CASE	1	
047	994-14050-181	SCREW 5X18/S	4	
048	132-01300-20	FLASH PAN	1	
049	203-0604A-20	GROMMET	1	
050	178-0137R-80	STOP CORD COMP.	1	- P048470
050	178-0130A-80	STOP CORD, B220M	1	P048471 -
050	178-0130A-80	STOP CORD, B220M	1	- P108400
055	155-21733-80	MAGNETO ROTOR COMP.	1	
056	992-01080-011	WASHER 8	1	
057	981-01080-01	NUT 8	1	
061	991-01060-013	NUT 6	1	
062	894-01401-20	OUTER RECEIVER	1	
065	179-0162R-80	STOP CORD COMP. B , 79L	1	P048471 -
066	198-10246-80	CORD CLAMP COMP.	1	
067	688-0130A-20	RETURN SPRING	1	
068	100-04001-20	STUD BOLT 6X36	4	





















