

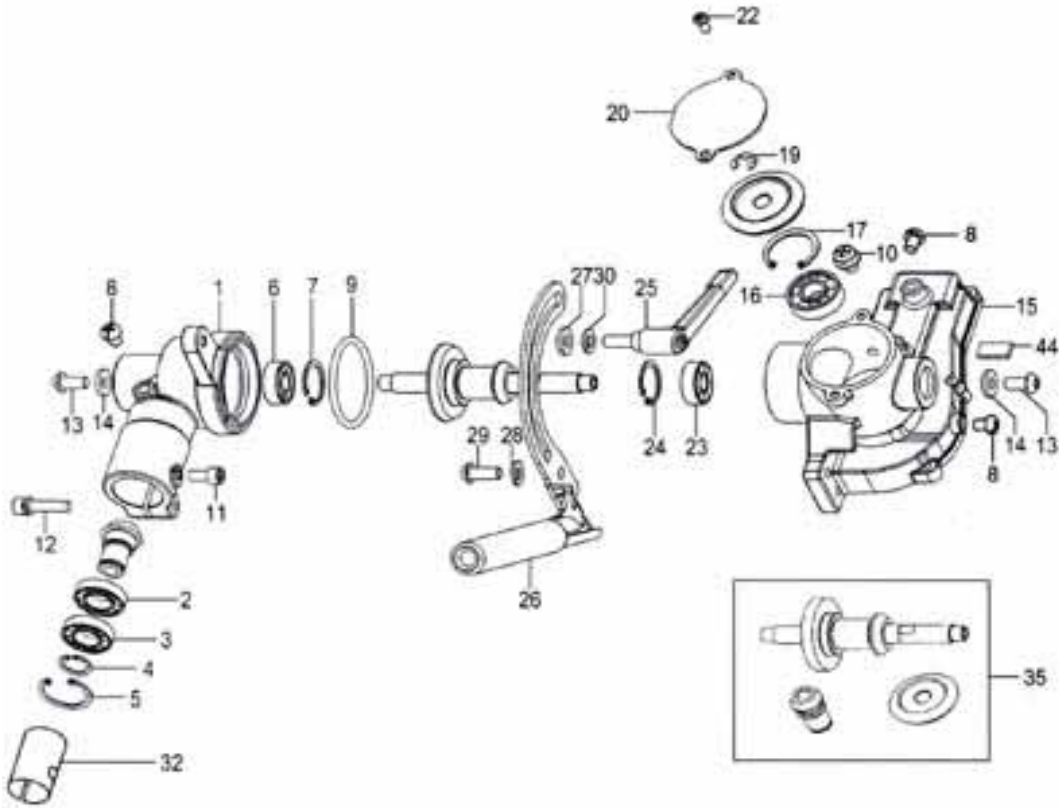
**H14**

***Tanaka***

**TPH 200/H**

H14  
01

**TPH-200,200H GEAR CASE(SERIAL NO.-V257836)**

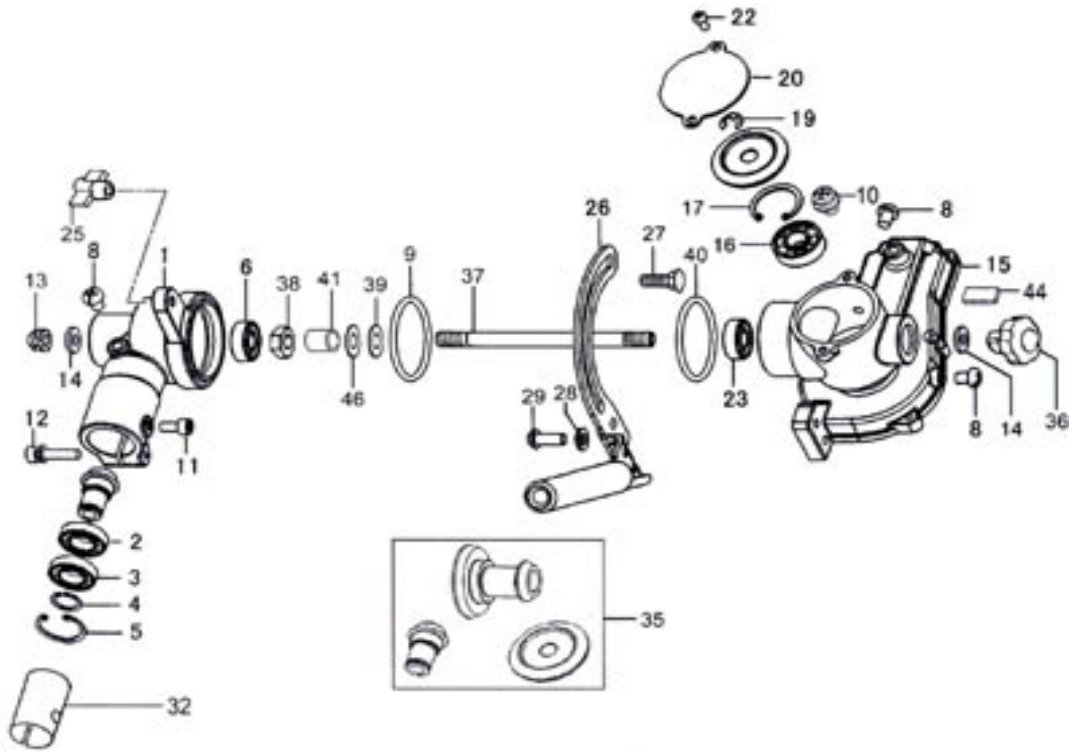


**Parts List**

Ref.	Part No.	Description	Q'ty	Serial No.
001	300-32285-20	GEAR CASE A	1	
002	999-61690-100	BALL BEARING 6901, 24MM/OD	1	
003	999-61690-101	BALL BEARING 6901ZZ, 24MM/OD	1	
004	993-52012-002	STOP RING S-12, INNER	1	
005	993-51024-002	STOP RING C-24, INNER	1	
006	999-61608-002	BALL BEARING #608Z, 22MM/OD	1	
007	993-51022-002	STOP RING C-22, INNER	1	
008	994-31060-081	SCREW 6X8	3	
009	999-67041-000	O RING P-41	1	
010	994-13060-101	SCREW 6X10P	1	U228059 -
011	990-51050-103	HEX. HOLE BOLT 5X10	1	
012	994-61050-224	HEX. HOLE BOLT 5X22/S	1	
013	990-53060-125	HEX. HOLE BOLT 6X12	2	
014	871-32600-20	SPECIAL WASHER B	2	
015	301-32280-22	GEAR CASE B	1	- U228058
015	301-32280-23	GEAR CASE B	1	U228059 -
016	999-61600-004	BALL BEARING #6000DD, 26MM/OD	1	
017	993-51026-002	STOP RING C-26, INNER	1	
019	993-55060-000	STOP RING E-6	1	
020	327-32280-20	GEAR CASE COVER A	1	
022	990-11040-081	SCREW 4X8	2	
023	999-61608-002	BALL BEARING #608Z, 22MM/OD	1	
024	993-51022-002	STOP RING C-22, INNER	1	
025	049-32280-80	HANDLE COMP.	1	
026	033-32280-81	SLIDE GUIDE COMP.,W/GRIP	1	
027	871-32600-20	SPECIAL WASHER B	1	
028	992-10060-062	S.WASHER 6	2	
029	990-53060-153	HEX HOLE BUTTON SCREW 6X15	2	
030	992-10060-062	S.WASHER 6	1	
032	348-33130-20	COLLAR B	1	
035	302-32280-91	GEAR SET	1	
044	086-32286-20	GREASE SEAL B	1	U288322 -

**H14**  
**02-1** **TPH-200,200H GEAR CASE(SERIAL NO.V257837 - W040350)**

Parts List				
Ref.	Part No.	Description	Q'ty	Serial No.
001	300-32284-20	GEAR CASE A, 26 DIA.	1	
002	999-61690-100	BALL BEARING 6901, 24MM/OD	1	
003	999-61690-101	BALL BEARING 6901ZZ, 24MM/OD	1	
004	993-52012-002	STOP RING S-12,INNER	1	
005	993-51024-002	STOP RING C-24, INNER	1	
006	999-61608-002	BALL BEARING #608Z, 22MM/OD	1	
008	994-31060-081	SCREW 6X8	3	
009	999-67041-000	O RING P-41	1	
010	994-13060-101	SCREW 6X10P	1	
011	990-51050-103	HEX. HOLE BOLT 5X10	1	
012	994-61050-224	HEX. HOLE BOLT 5X22/S	1	
013	991-44080-022	FLANGE BLIND NUT 8	1	
014	027-31800-20	SPAECIAL WASHER	2	
015	301-32280-24	GEAR CASE B	1	
016	999-61600-004	BALL BEARING #6000DD, 26MM/OD	1	
017	993-51026-002	STOP RING C-26, INNER	1	
019	993-55060-000	STOP RING E-6	1	
020	327-32280-20	GEAR CASE COVER A	1	
022	990-11040-081	SCREW 4X8	2	
023	999-61608-002	BALL BEARING #608Z, 22MM/OD	1	
025	512-32285-80	HANDLE KNOB A COMP.	1	
026	033-32280-81	SLIDE GUIDE COMP.,W/GRIP	1	
027	196-32285-20	SPECIAL BOLT	1	
028	992-10060-062	S.WASHER 6	2	
029	990-53060-153	HEX HOLE BUTTON SCREW 6X15	2	
032	348-33130-20	COLLAR B	1	
035	302-32282-00	GEAR SET	1	
036	513-32282-90	HANDLE KNOB B ASS'Y	1	
037	305-32282-20	GEAR SHAFT	1	
038	991-01080-011	HEX. NUT 8	1	
039	063-35100-20	DRIVE SHAFT SHIM 0.5	V	
039	064-35100-20	DRIVE SHAFT SHIM 0.1	V	
039	065-35100-20	DRIVE SHAFT SHIM 1.5	1	
039	066-35100-20	DRIVE SHAFT SHIM 0.2	V	
		SEE NEXT PAGE		





**H14**  
**03-1** **TPH-200,200H GEAR CASE(SERIAL NO.W040351 - Z071000)**

Parts List				
Ref.	Part No.	Description	Q'ty	Serial No.
001	300-32284-20	GEAR CASE A,26 DIA.	1	
002	999-61690-100	BALL BEARING 6901, 24MM/OD	1	- Y301200
003	999-61690-101	BALL BEARING 6901ZZ, 24MM/OD	1	- Y301200
003	999-61690-101	BALL BEARING 6901ZZ, 24MM/OD	2	Y301201 -
004	993-52012-002	STOP RING S-12,INNER	1	
005	993-51024-002	STOP RING C-24, INNER	1	
006	999-61608-002	BALL BEARING #608Z, 22MM/OD	1	
008	994-31060-081	SCREW 6X8	3	
009	999-67041-000	O RING P-41	1	
010	994-13060-101	SCREW 6X10P	1	
011	990-51050-103	HEX. HOLE BOLT 5X10	1	
012	994-61050-224	HEX. HOLE BOLT 5X22/S	1	
013	991-44080-022	FLANGE BLIND NUT 8	2	
014	027-31800-20	SPAECIAL WASHER	2	
015	301-32286-20	GEAR CASE B	1	
016	999-61600-014	BALL BEARING #6000 2RS C3	1	
017	993-51026-002	STOP RING C-26, INNER	1	
019	993-55060-000	STOP RING E-6	1	
020	327-32280-20	GEAR CASE COVER A	1	
022	990-11040-081	SCREW 4X8	2	
023	999-61608-013	BALL BEARING 608 ZZ C3	1	
025	512-32285-80	HANDLE KNOB A COMP.	1	
026	033-32280-81	SLIDE GUIDE COMP.,W/GRIP	1	
027	196-32285-20	SPECIAL BOLT	1	
028	992-10060-062	S.WASHER 6	2	
029	990-53060-153	HEX HOLE BUTTON SCREW 6X15	2	
032	348-33130-20	COLLAR B	1	
035	302-32282-00	GEAR SET	1	
036	512-32298-20	HANDLE KNOB	1	
037	305-32282-22	GEAR SHAFT	1	
038	381-32289-20	SPECIAL NUT	1	
040	071-32282-21	SHIM	V	
040	071-32282-22	SHIM	V	
040	071-32282-23	SHIM	V	
		SEE NEXT PAGE		

