

H36

Tanaka

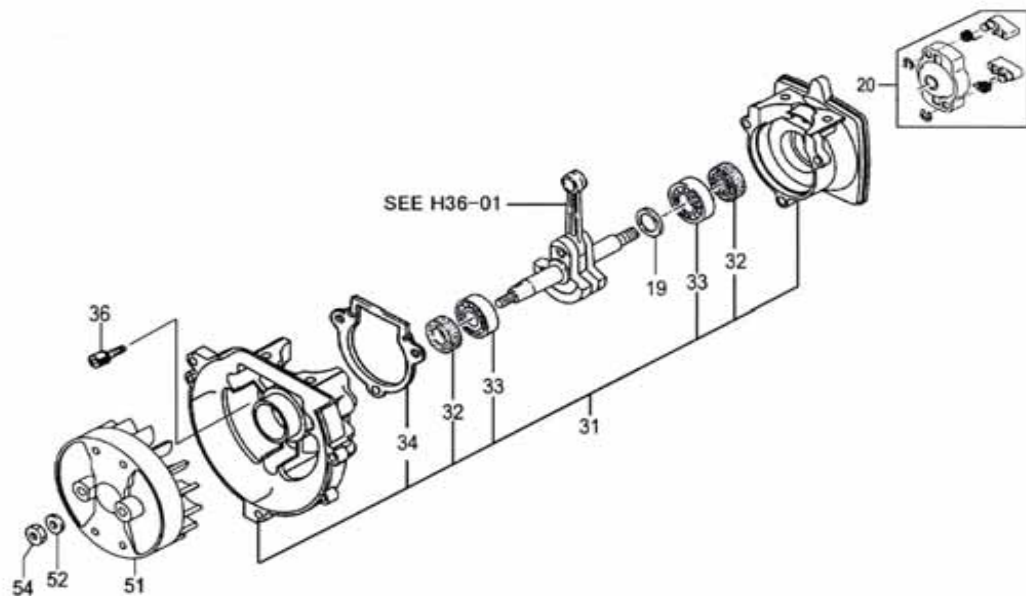
TPH 230S

H36
02

TPH-230S CRANK CASE

Parts List

Ref.	Part No.	Description	Q'ty	Serial No.
019	330-00200-21	GEAR SHAFT SHIM 0.10	V	
019	330-00200-22	GEAR SHAFT SHIM 0.15	V	
019	330-00200-23	GEAR SHAFT SHIM 0.20	V	
019	330-00200-24	GEAR SHAFT SHIM 0.30	V	
020	798-07085-90	STARTER PULLEY ASS'Y	1	
031	072-07120-90	CRANK CASE ASS'Y	1	
032	999-66122-200	OIL SEAL TB 12227	2	
033	999-61600-100	BALL BEARING #6001, 28MM/OD	2	
034	090-06410-20	CRANK CASE GASKET	1	
036	994-61050-184	HEX. HOLE BOLT 5X18/S	3	
051	155-20550-80	MAGNETO ROTOR	1	
052	992-01080-011	WASHER 8	1	
054	991-01080-011	HEX. NUT 8	1	

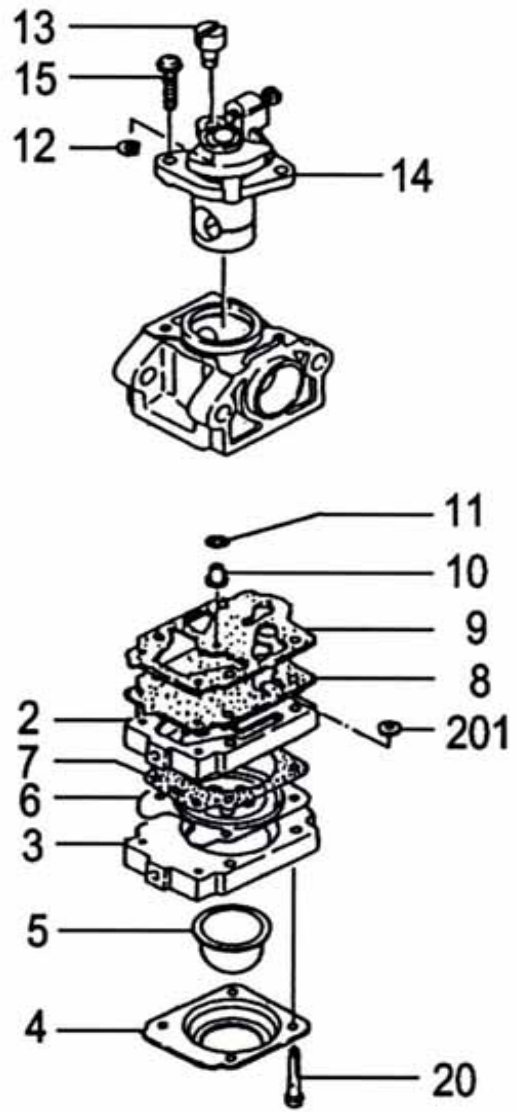


H36
07

TPH-230S CARBURETOR

Parts List

Ref.	Part No.	Description	Q'ty	Serial No.
002	575-25153-80	PUMP BODY COMP	1	
003	442-25151-80	PRIMING PUMP COMP.	1	
004	476-25151-20	DIAPHRAGM COVER	1	
005	447-25108-20	PRIMING BODY	1	
006	474-25241-80	METERING DIAPHRAGM COMP.	1	
007	475-25153-20	DIAPHRAGM GASKET	1	
008	576-25100-20	PUMP DIAPHRAGM	1	
009	577-25100-20	PUMP GASKET	1	
010	599-2000W-40	MAIN JET #40	1	
011	550-25100-20	O-RING	1	
012	489-25100-20	STOP RING	1	
013	539-25120-20	SWIVEL	1	
014	488-25145-80	THROTTLE VALVE COMP.	1	
015	548-25140-20	THROTTLE SET SCREW	2	
020	548-25151-20	SET SCREW	4	
201	578-25007-20	INLET SCREEN	1	

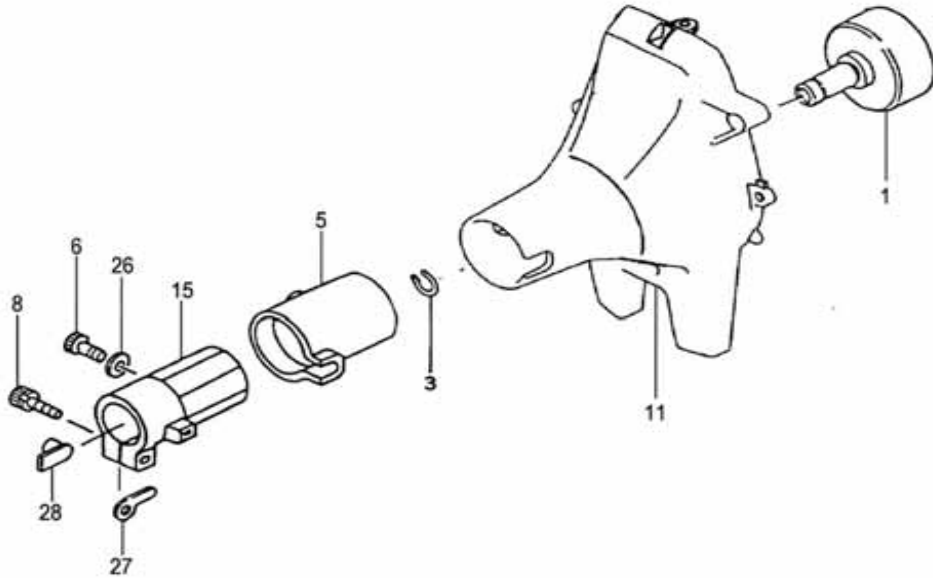


H36
08

TPH-230S FAN CASE

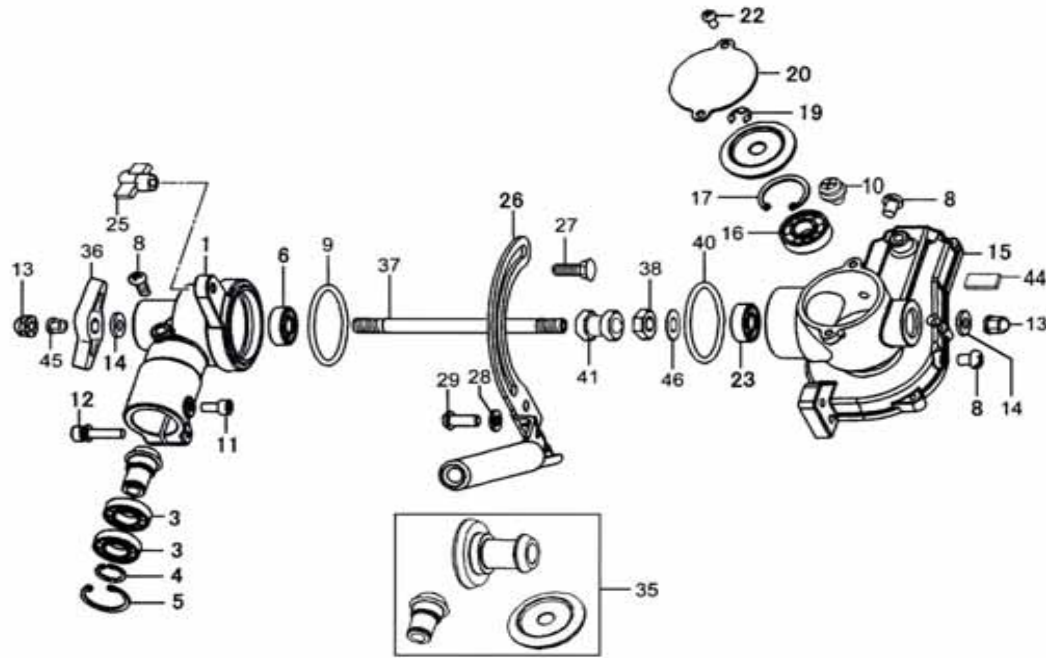
Parts List

Ref.	Part No.	Description	Q'ty	Serial No.
001	289-07060-80	CLUTCH SHAFT COMP.	1	
003	993-50012-002	STOP RING C-12, OUTER	1	
005	599-07120-21	ANTI-VIBE RUBBER	1	
006	990-51050-163	HEX. HOLE BOLT 5X16	1	
008	994-61050-254	HEX. HOLE BOLT 5X25/S	1	
011	112-07124-80	FAN CASE, OR	1	
015	360-00996-20	PIPE HOLDER, TPE	1	
026	992-01050-061	WASHER 5	1	
027	324-37350-20	GEAR CASE WASHER	1	
028	361-00990-20	METAL FITTING	1	



H36
10

TPH-230S GEAR CASE (SERIAL NO.-Z063200)



Parts List

Ref.	Part No.	Description	Q'ty	Serial No.
001	300-32291-20	GEAR CASE A, 24 DIA.	1	
003	999-61690-101	BALL BEARING 6901ZZ, 24MM/OD	2	
004	993-52012-002	STOP RING S-12,INNER	1	
005	993-51024-002	STOP RING C-24, INNER	1	
006	999-61608-013	BALL BEARING 608 ZZ C3	1	
008	994-31060-081	SCREW 6X8	3	
009	999-67041-000	O RING P-41	1	
010	994-13060-101	SCREW 6X10P	1	
011	990-51050-103	HEX. HOLE BOLT 5X10	1	
012	994-61050-224	HEX. HOLE BOLT 5X22/S	1	
013	991-44080-022	FLANGE BLIND NUT 8	2	
014	027-31800-20	SPAECIAL WASHER	2	
015	301-32286-20	GEAR CASE B	1	
916	999-61600-014	BALL BEARING #6000 2RS C3	1	
017	993-51026-002	STOP RING C-26, INNER	1	
019	993-55060-000	STOP RING E-6	1	
020	327-32280-20	GEAR CASE COVER A	1	
022	990-11040-081	SCREW 4X8	2	
023	999-61608-013	BALL BEARING 608 ZZ C3	1	
025	512-32285-80	HANDLE KNOB A COMP.	1	
026	033-32280-81	SLIDE GUIDE COMP.,W/GRIP	1	
027	196-32285-20	SPECIAL BOLT	1	
028	992-10060-062	S.WASHER 6	2	
029	990-53060-153	HEX HOLE BUTTON SCREW 6X15	2	
035	302-32282-00	GEAR SET	1	
036	512-32298-20	HANDLE KNOB	1	
037	305-32282-22	GEAR SHAFT	1	
038	381-32289-20	SPECIAL NUT	1	
040	071-32282-21	SHIM	V	
040	071-32282-22	SHIM	V	
040	071-32282-23	SHIM	V	
041	096-32289-20	COLLOR 26.8	1	
044	086-32286-20	GREASE SEAL B	1	
045	121-32530-20	CHAIN BAR CLAMP NUT	1	
046	760-32282-20	WASHER 1.6 W	1	

