

**H31**

***Tanaka***

**TPH 2501**









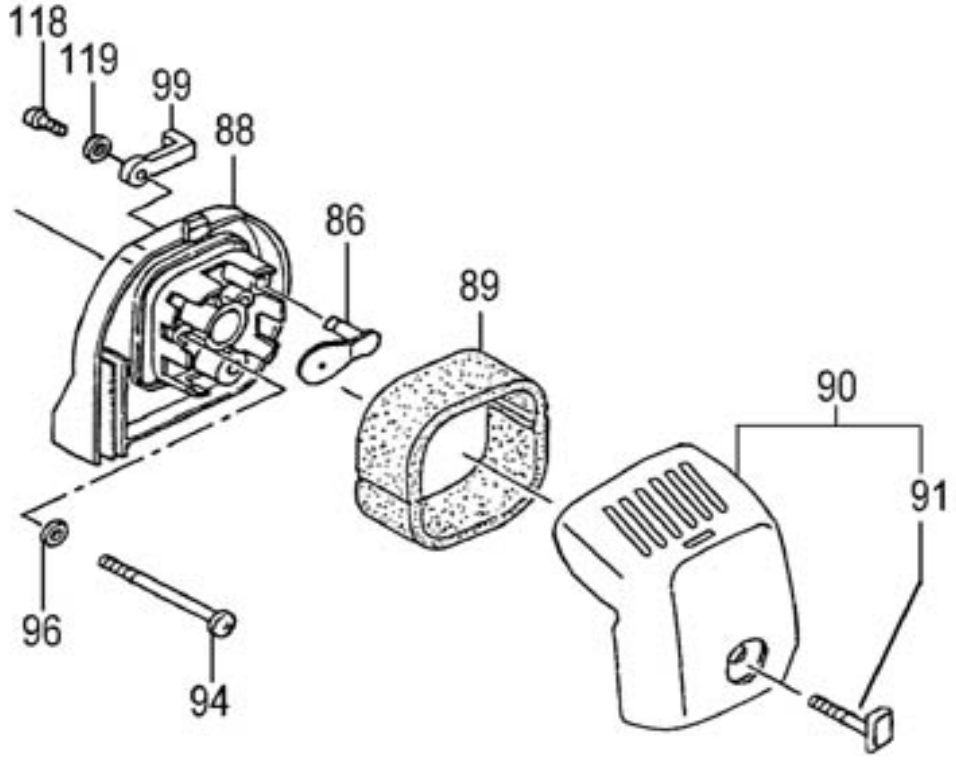


H31  
06

### TPH-2501 AIR CLEANER

### Parts List

Ref.	Part No.	Description	Q'ty	Serial No.
086	528-0652N-22	CHOKE VALVE 2.0	1	
088	423-0652N-80	CLEANER BODY COMP.	1	
089	446-0652N-20	CLEANER SPONGE	1	
090	452-07060-90	CLEANER COVER ASS'Y	1	
091	450-07024-80	COVER FIXING BOLT	1	
094	994-14050-571	SCREW 5X57/S	2	
096	992-00050-011	SMALL WASHER 5	2	
099	523-0652N-20	CHOKE CONTROL LEVER	1	
118	990-75040-154	TAPPING SCREW 4X15	1	
119	992-01040-011	WASHER 4	1	



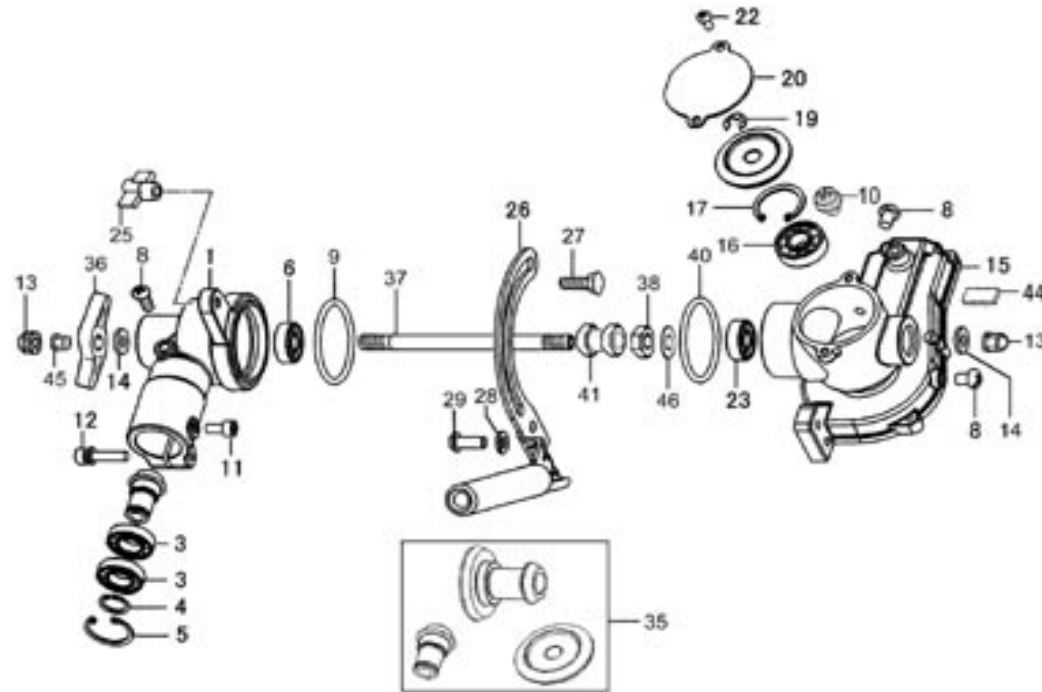






H31  
09

# TPH-2501 GEAR CASE (SERIAL NO.-Z063800)



## Parts List

Ref.	Part No.	Description	Q'ty	Serial No.
001	300-32291-20	GEAR CASE A ,24 DIA.	1	
003	999-61690-101	BALL BEARING 6901ZZ, 24MM/OD	2	
004	993-52012-002	STOP RING S-12,INNER	1	
005	993-51024-002	STOP RING C-24, INNER	1	
006	999-61608-013	BALL BEARING 608 ZZ C3	1	
008	994-31060-081	SCREW 6X8	3	
009	999-67041-000	O RING P-41	1	
010	994-13060-101	SCREW 6X10P	1	
011	990-51050-103	HEX. HOLE BOLT 5X10	1	
012	994-61050-224	HEX. HOLE BOLT 5X22/S	1	
013	991-44080-022	FLANGE BLIND NUT 8	2	
014	027-31800-20	SPAECIAL WASHER	2	
015	301-32286-20	GEAR CASE B	1	
016	999-61600-014	BALL BEARING #6000 2RS C3	1	
017	993-51026-002	STOP RING C-26, INNER	1	
019	993-55060-000	STOP RING E-6	1	
020	327-32280-20	GEAR CASE COVER A	1	
022	990-11040-081	SCREW 4X8	2	
023	999-61608-013	BALL BEARING 608 ZZ C3	1	
025	512-32285-80	HANDLE KNOB A COMP.	1	
026	033-32280-81	SLIDE GUIDE COMP.,W/GRIP	1	
027	196-32285-20	SPECIAL BOLT	1	
028	992-10060-062	S.WASHER 6	2	
029	990-53060-153	HEX HOLE BUTTON SCREW 6X15	2	
035	302-32282-00	GEAR SET	1	
036	512-32298-20	HANDLE KNOB	1	
037	305-32282-22	GEAR SHAFT	1	
038	381-32289-20	SPECIAL NUT	1	
040	071-32282-21	SHIM	V	
040	071-32282-22	SHIM	V	
040	071-32282-23	SHIM	V	
041	096-32289-20	COLLOR 26.8	1	
044	086-32286-20	GREASE SEAL B	1	
045	121-32530-20	CHAIN BAR CLAMP NUT	1	
046	760-32282-20	WASHER 1.6 W	1	





