

H22

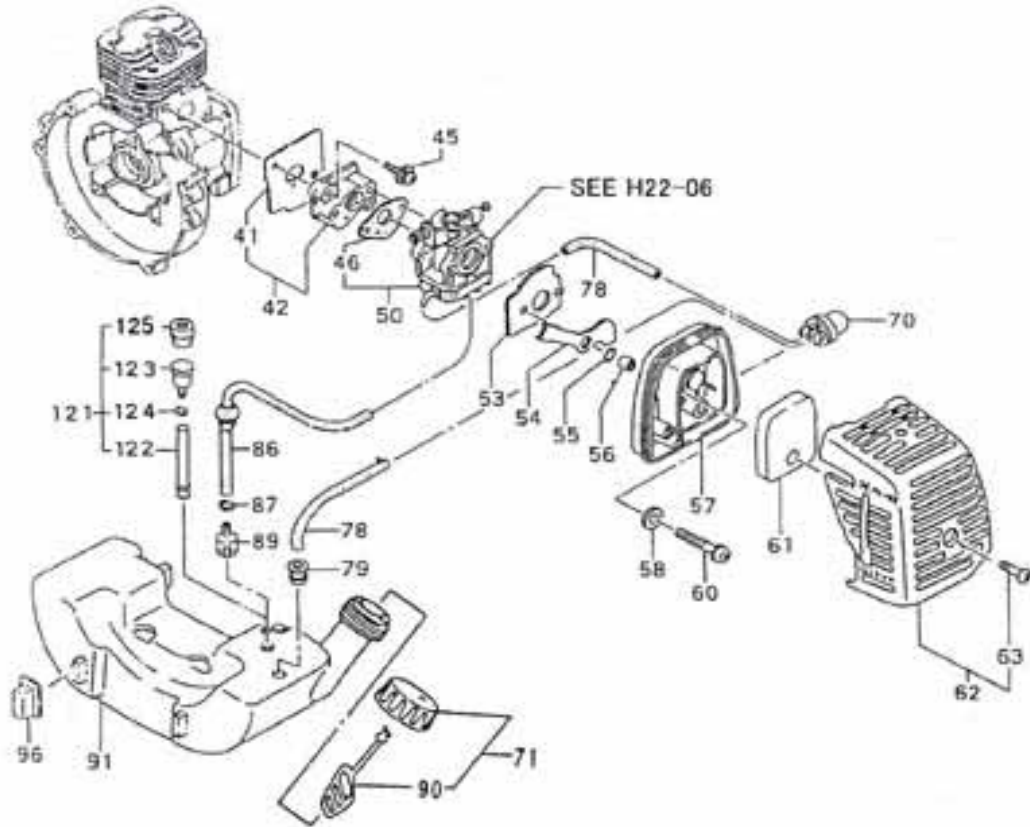
Tanaka

TPH 2510

H22
03

TPH-2510 ENGINE-1

Parts List



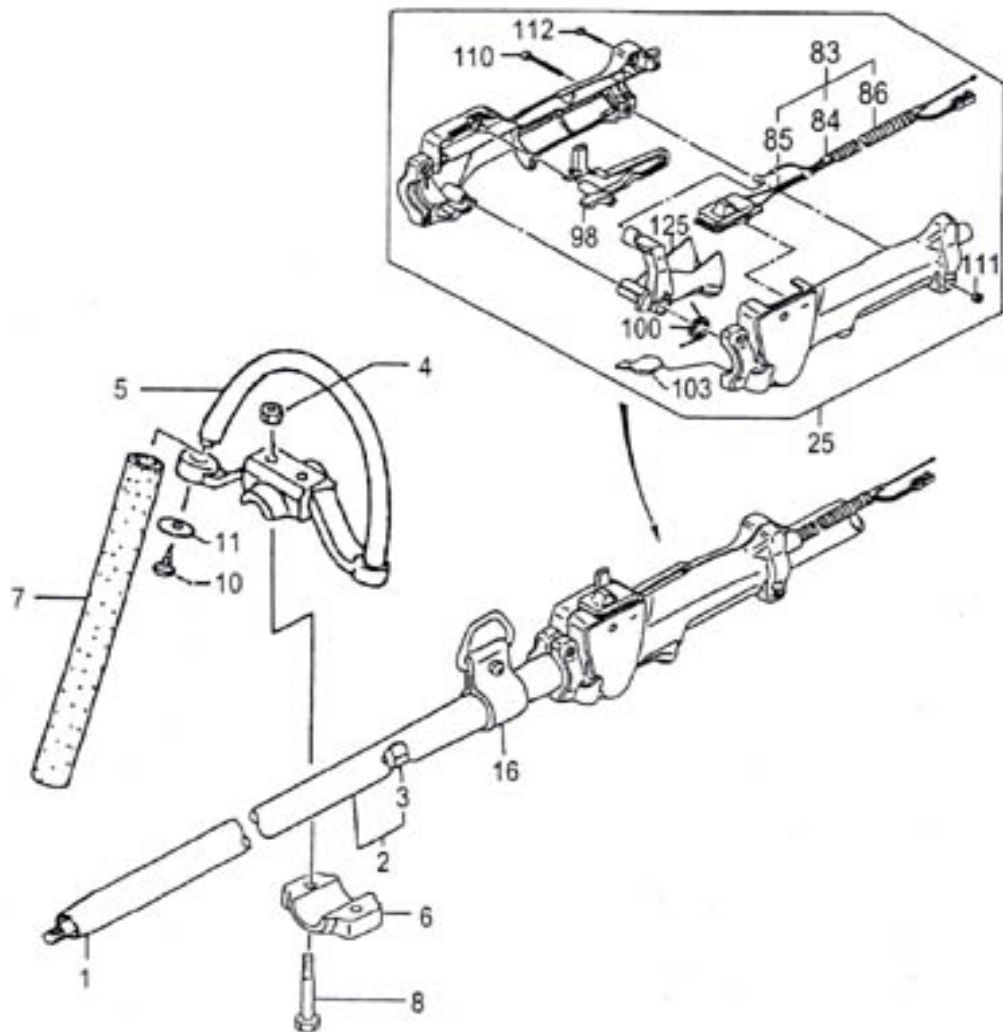
Ref.	Part No.	Description	Q'ty	Serial No.
041	403-0631A-20	INLET MANIFOLD GASKET	1	
042	404-0099F-90	CARB INSULATOR SET	1	
045	994-16050-221	SCREW 5X22/WS	2	
046	402-0602K-21	CARBURETOR GASKET	1	
050	455-0099M-90	CARBURETOR SET, SPARE	1	
053	436-0162V-20	CLEANER BASE	1	
054	528-00980-20	CHOKE PLATE	1	
055	999-67008-012	O-RING S-8	1	
056	470-0602N-20	CLEANER COLLAR	1	
057	423-0637C-80	CLEANER BODY COMP.	1	
058	992-00050-011	SMALL WASHER 5	2	
060	994-14050-571	SCREW 5X57/S	2	
061	446-0637C-20	CLEANER SPONGE	1	
062	051-0099F-90	CLEANER COVER SET	1	
063	380-0637C-20	SPECIAL SCREW	1	
070	442-25143-80	PRIMING PUMP COMP.	1	
071	595-00093-90	TANK CAP D ASS'Y. ORANGE	1	
078	700-02504-08	FUEL PIPE 2.5X4X80	2	
079	534-32710-20	RETURN GROMMET	1	
086	223-0162V-90	FUEL PIPE ASS'Y	1	
087	680-00731-20	CLIP, 6.3 DIA.	1	
089	675-04042-80	PUMP FILTER BODY COMP.	1	
090	626-32550-20	TANK CAP CHAIN	1	
091	591-00995-20	TANK VARMILION	1	- U271811
091	591-0645D-20	FUEL TANK, VERMILION	1	U271812 -
096	655-00940-20	FUEL TANK CUSHION RUBBER	4	
121	564-00070-90	AIR VENT ASS'Y	1	- U271811
122	405-36152-21	AIR VENT PIPE	1	- U271811
123	646-3252L-90	AIR VENT VALVE ASS'Y	1	- U271811
124	680-00731-20	CLIP, 6.3 DIA.	1	- U271811
125	561-00070-20	AIR VENT RUBBER CAP	1	- U271811

H22
08

TPH-2510 OPERATION PIPE

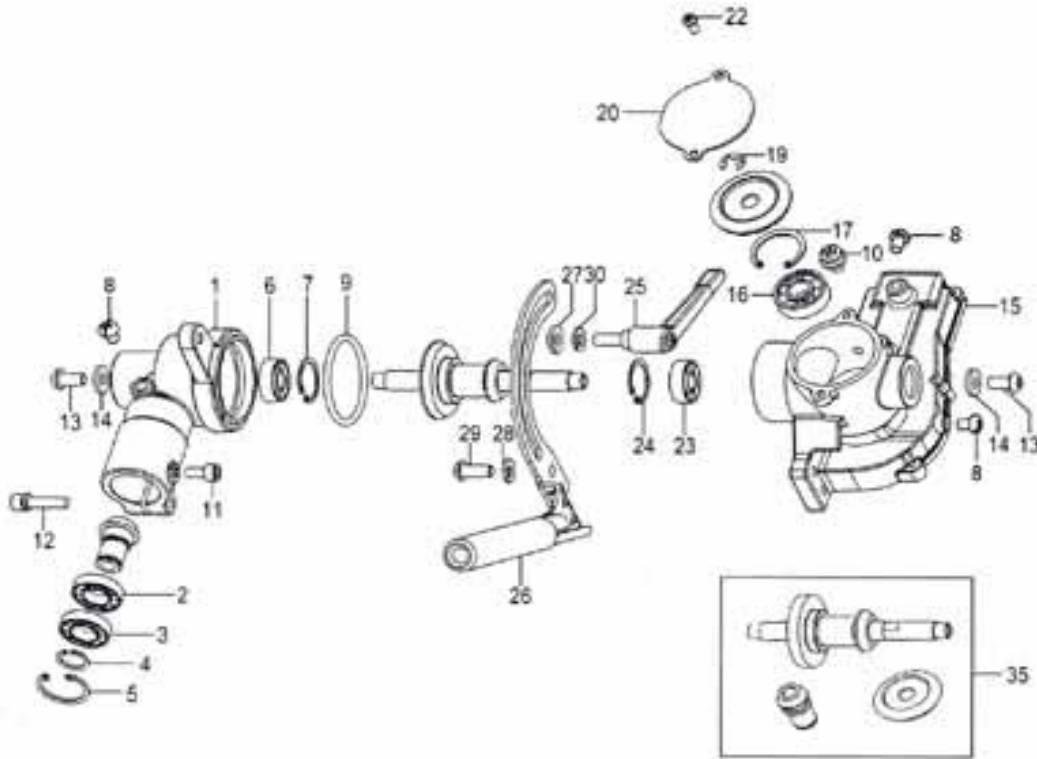
Parts List

Ref.	Part No.	Description	Q'ty	Serial No.
001	343-37300-20	DRIVE SHAFT, 7X1504L SOLID	1	
002	341-37623-81	DRIVE SHAFT PIPE COMP.,1450L	1	
003	347-37601-90	BUSHING ASS'Y	5	
004	991-01060-041	HEX. NUT 6	2	
005	500-37286-20	LOOP HANDLE, 24 DIA.,BLACK	1	
006	506-37300-20	HANDLE BRACKET A	1	
007	503-3738E-20	HANDLE GRIP	1	
008	994-23060-432	BOLT 6X43/P	2	
010	993-11052-012	TAPPING SCREW 5X20	1	
011	368-32350-20	BRAKE SHAFT WASHER	1	
016	335-37526-90	LIFTING METAL ASS'Y	1	
025	870-38400-90	THROTTLE LEVER ASS'Y, 24 DIA.	1	
083	885-37821-80	THROTTLE WIRE COMP.	1	
084	887-38400-80	THROTTLE WIRE	1	
085	156-38400-80	STOP SWITCH COMP.	1	
086	164-07017-50	PROTECTION TUBE 7X175	1	
098	253-38400-20	SAFETY LEVER	1	
100	832-38400-20	RETURN SPRING	1	
103	322-38400-20	BLIND PLUG	1	
110	994-31050-203	SCREW 5X20	2	
111	991-01050-043	CONTAL NUT 5	2	
112	993-46040-202	SCREW 4X20, BLACK	4	
125	880-38400-20	THROTTLE LEVER	1	



H22
09

TPH-2510 GEAR CASE (SERIAL NO. -W044600)

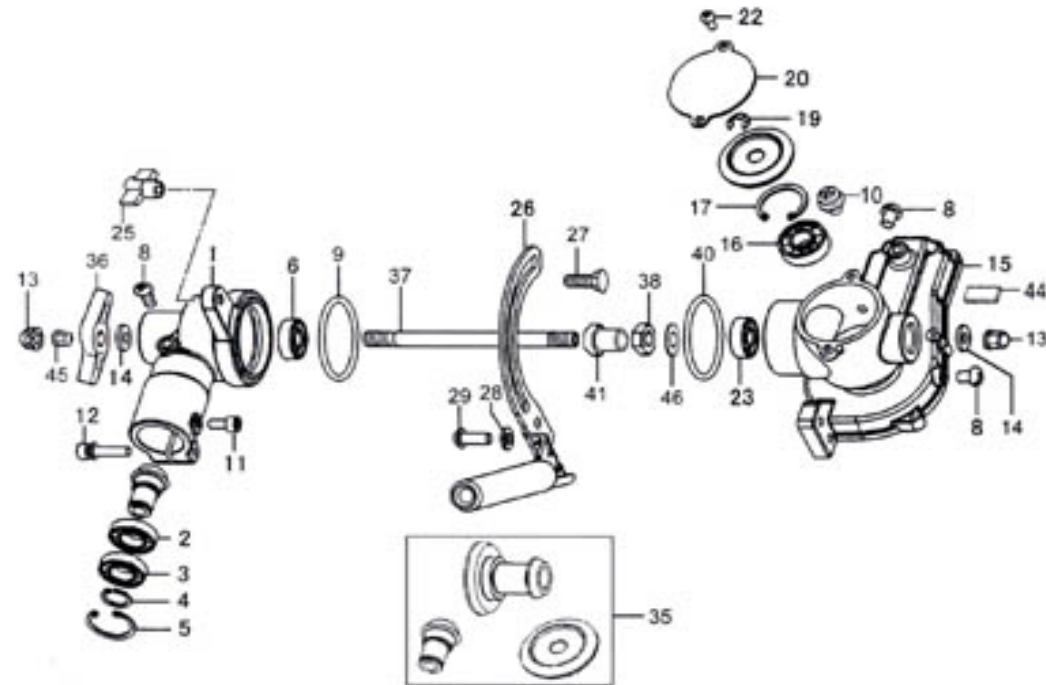


Parts List

Ref.	Part No.	Description	Q'ty	Serial No.
001	300-32280-20	GEAR CASE A,25 DIA	1	
002	999-61690-100	BALL BEARING 6901, 24MM/OD	1	
003	999-61690-101	BALL BEARING 6901ZZ, 24MM/OD	1	
004	993-52012-002	STOP RING S-12,INNER	1	
005	993-51024-002	STOP RING C-24, INNER	1	
006	999-61608-002	BALL BEARING #608Z, 22MM/OD	1	
007	993-51022-002	STOP RING C-22, INNER	1	
008	994-31060-081	SCREW 6X8	3	
009	999-67041-000	O RING P-41	1	
010	994-13060-101	SCREW 6X10P	1	U255553 -
011	990-51050-103	HEX. HOLE BOLT 5X10	1	
012	994-61050-224	HEX. HOLE BOLT 5X22/S	1	
013	990-53060-125	HEX. HOLE BOLT 6X12	2	
014	871-32600-20	SPECIAL WASHER B	2	
015	301-32280-22	GEAR CASE B	1	- U255552
015	301-32280-23	GEAR CASE B	1	U255553 -
016	999-61600-004	BALL BEARING #6000DD, 26MM/OD	1	
017	993-51026-002	STOP RING C-26, INNER	1	
019	993-55060-000	STOP RING E-6	1	
020	327-32280-20	GEAR CASE COVER A	1	
022	990-11040-081	SCREW 4X8	2	
023	999-61608-002	BALL BEARING #608Z, 22MM/OD	1	
024	993-51022-002	STOP RING C-22, INNER	1	
025	049-32280-80	HANDLE COMP.	1	
026	033-32280-80	SLIDE GUIDE COMP., W/GRIP	1	
027	871-32600-20	SPECIAL WASHER B	1	
028	992-10060-062	S.WASHER 6	2	
029	990-53060-153	HEX HOLE BUTTON SCREW 6X15	2	
030	992-10060-062	S.WASHER 6	1	
035	302-32280-90	GEAR SET	1	

H22
10-1

TPH-2510 GEAR CASE (SERIAL NO. W044601-)



Parts List

Ref.	Part No.	Description	Q'ty	Serial No.
001	300-32291-20	GEAR CASE A, 24 DIA.	1	
002	999-61690-100	BALL BEARING 6901, 24MM/OD	1	
003	999-61690-101	BALL BEARING 6901ZZ, 24MM/OD	1	
004	993-52012-002	STOP RING S-12,INNER	1	
005	993-51024-002	STOP RING C-24, INNER	1	
006	999-61608-013	BALL BEARING 608 ZZ C3	1	
008	994-31060-081	SCREW 6X8	3	
009	999-67041-000	O RING P-41	1	
010	994-13060-101	SCREW 6X10P	1	
011	990-51050-103	HEX. HOLE BOLT 5X10	1	
012	994-61050-224	HEX. HOLE BOLT 5X22/S	1	
013	991-44080-022	FLANGE BLIND NUT 8	2	
014	027-31800-20	SPAECIAL WASHER	2	
015	301-32286-20	GEAR CASE B	1	
016	999-61600-014	BALL BEARING #6000 2RS C3	1	
017	993-51026-002	STOP RING C-26, INNER	1	
019	993-55060-000	STOP RING E-6	1	
020	327-32280-20	GEAR CASE COVER A	1	
022	990-11040-081	SCREW 4X8	2	
023	999-61608-013	BALL BEARING 608 ZZ C3	1	
025	512-32285-80	HANDLE KNOB A COMP.	1	
026	033-32280-81	SLIDE GUIDE COMP.,W/GRIP	1	
027	196-32285-20	SPECIAL BOLT	1	
028	992-10060-062	S.WASHER 6	2	
029	990-53060-153	HEX HOLE BUTTON SCREW 6X15	2	
035	302-32282-00	GEAR SET	1	
036	512-32298-20	HANDLE KNOB	1	
037	305-32282-22	GEAR SHAFT	1	
038	991-01080-011	HEX. NUT 8	1	
040	071-32282-21	SHIM	V	
040	071-32282-22	SHIM	V	
040	071-32282-23	SHIM	V	
041	096-32289-20	COLLOR 26.8	1	
044	086-32286-20	GREASE SEAL B	1	
		SEE NEXT PAGE		

H22
11

TPH-2510 BLADE

Parts List

Ref.	Part No.	Description	Q'ty	Serial No.
001	100-32280-21	CAM SHAFT	1	
002	101-33160-22	CAM ROD	2	
003	075-32280-20	CAM-ROD GUIDE PLATE	2	
004	122-33160-21	CUTTER GUIDE, 625MM	1	
005	120-33160-20	CUTTER A	2 - U232076	
005	120-32287-21	CUTTER A	2 U232077 -	
006	124-33202-21	CUTTER FIXING BOLT A	4	
007	129-33202-20	WASHER 7 BLACK	4	
008	123-33202-20	CUTTER FIXING NUT	4	
009	990-52060-165	HEX HOLE FLUSH SCREW 6X16	2	
010	085-33160-20	GREASE SEAL A	2	
011	105-32280-20	CAM-ROD HOLDING PLATE	1	
012	328-32280-22	GEAR CASE COVER B	1	
013	999-61608-014	BALL BEARING 6000D	1 - W260968	
013	999-61608-013	BALL BEARING 608 ZZ C3	1 W260969 -	
014	994-61040-104	HEX. HOLE BOLT 4X10S	2	
015	994-61040-124	HEX. HOLE BOLT 4X12S	6	
016	138-33160-20	CUTTER COVER	1	
021	036-29331-50	COMBI. BOX SPANNER 10X19 ,PLUS	1	
030	813-20000-20	HEX. WRENCH 4	1	

