

# LM2153CMD

**Spare parts**

**Ersatzteile**

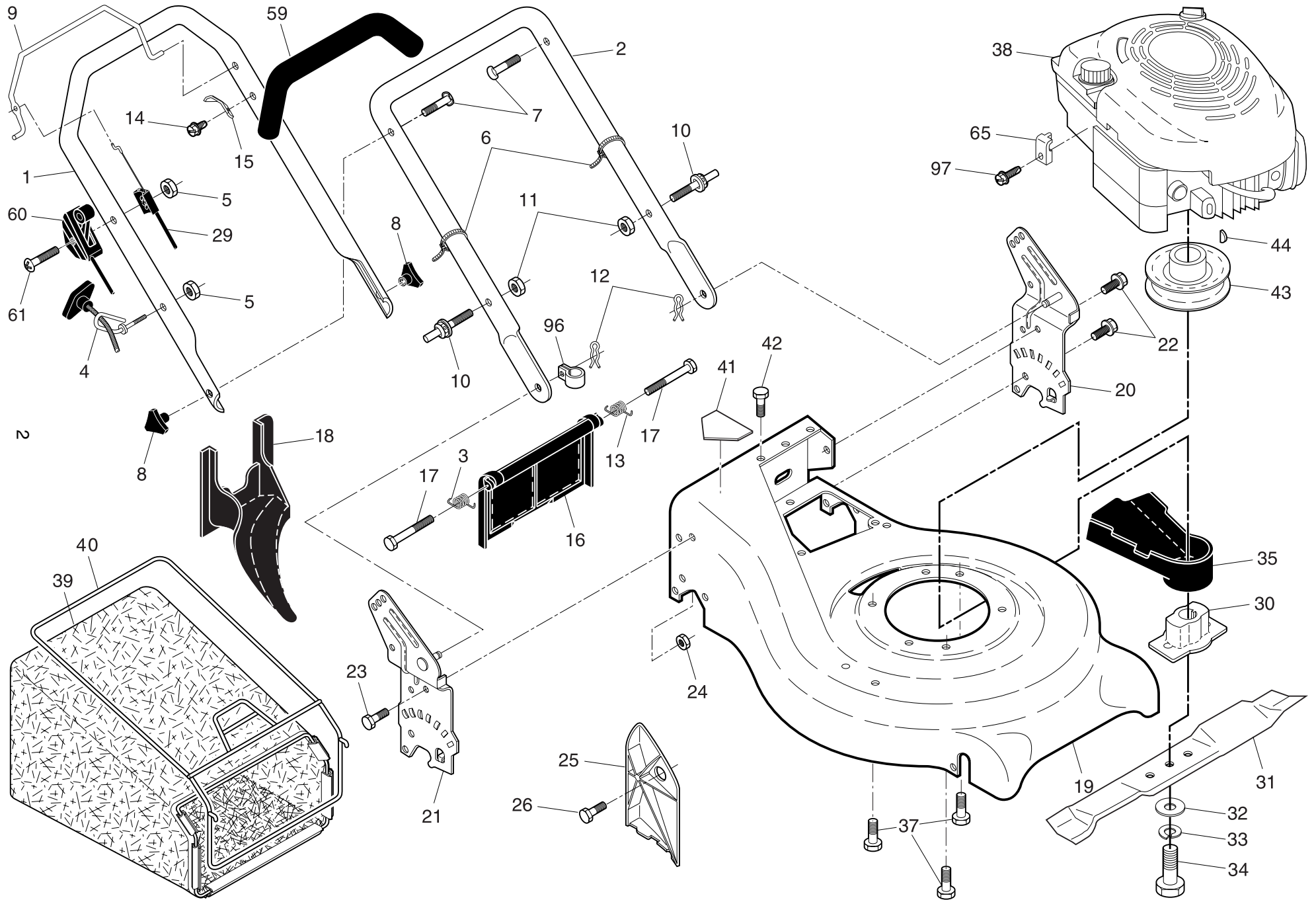
**Pièces détachées**

**Reserve onderdelen**

**Repuestos**

**Reservdelar**

**ROTARY LAWN MOWER - - CUSTOMER MODEL NO. LM2153CMD (9541300990) PRODUCT NO. 954 13 00-99**



# ROTARY LAWN MOWER - - CUSTOMER MODEL NO. LM2153CMD (95413009900) PRODUCT NO. 954 13 00-99

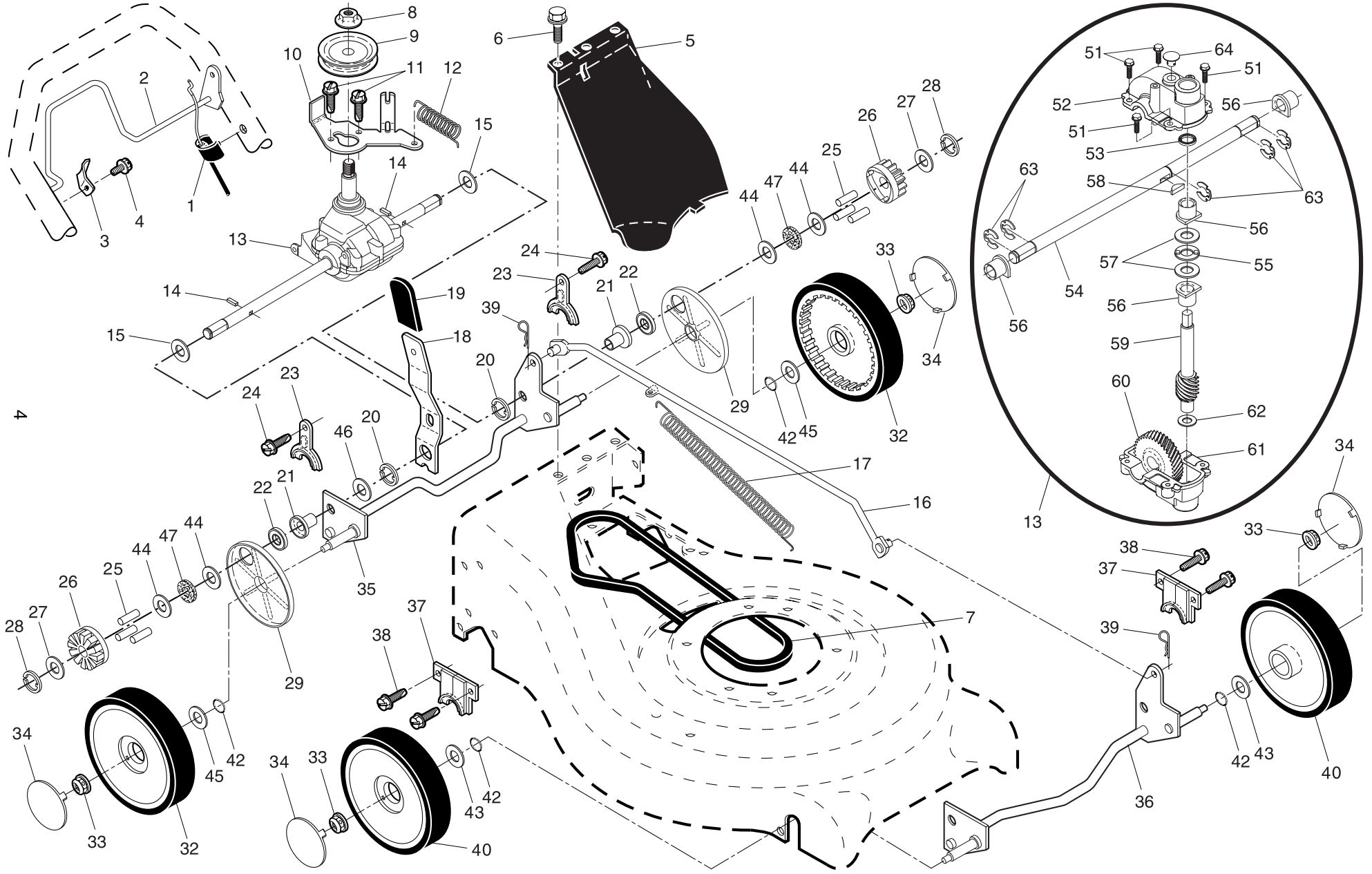
KEY NO.	PART NO.	DESCRIPTION
1	532 16 71-63	Handle, Upper, Deluxe Comfort
2	532 19 60-05	Handle, Lower
3	532 18 60-53	Spring, Rear Door, RH
4	532 17 95-85	Guide, Rope, Side
5	532 13 20-04	Nut, Hex, with Lockwasher Insert 1/4-20
6	532 06 64-26	Wire, Tie
7	532 19 15-74	Bolt, Handle 5/16-18 x 1.75
8	532 08 76-92	Knob, Handle
9	532 19 18-19	Bar, Control, Wire, Deluxe Comfort
10	532 18 88-21	Bolt, Carriage
11	873 99 05-00	Nut, Hex, with Lockwasher Insert 5/16-18 UNC
12	532 05 17-93	Cotter, Hairpin
13	532 18 60-52	Spring, Rear Door, LH
14	532 75 06-34	Screw, Tapping, Hex Washer Head #10-24
15	532 12 51-62	Bracket, Upstop
16	532 19 05-74	Rear Door Assembly
17	532 18 41-93	Bolt, Rear Door
18	532 18 75-35	Plug, Mulcher
19	532 16 34-24	Kit, Lawn Mower Housing Assembly
20	532 19 40-29	Handle Bracket Assembly, LH
21	532 19 40-31	Handle Bracket Assembly, RH
22	532 15 00-78	Screw, Hex Washer Head
23	532 16 31-83	Bolt, Hex Head 5/16-18 x 5/8
24	873 80 05-00	Nut, Hex, with Lockwasher Insert 5/16-18
25	532 16 13-33	Baffle, Side
26	532 16 34-09	Screw #12 x 5/8
29	532 13 31-07	Cable, MZR

KEY NO.	PART NO.	DESCRIPTION
30	532 18 45-90	Adapter, Blade
31	532 17 50-52	Blade, 21"
32	532 85 10-74	Washer, Hardened
33	532 85 02-63	Lockwasher, Helical Spring 3/8
34	532 85 10-84	Screw, Hex Head 3/8-24 x 1.38
35	532 18 91-85	Shield, Debris
37	532 15 04-06	Bolt, Engine
38	- - -	Engine, Briggs & Stratton, Model Number 128802 (Order parts from engine manufacturer)
39	532 19 51-72	Grassbag
40	532 18 88-17	Frame, Grassbag
41	532 18 21-66	Decal, Danger
42	532 05 45-83	Self-Tapping Screw
43	532 18 49-41	Pulley, Engine
44	532 18 77-23	Key, Hi-Pro
59	532 16 42-65	Grip, Handle, Foam, Smooth
60	532 18 21-54	Throttle Control
61	532 18 33-65	Screw
65	532 11 11-90	Cable Clamp
96	532 19 22-70	Clip, Cable
97	532 08 38-16	Screw
--	532 18 21-34	Warning Decal
--	532 19 40-90	Operator's Manual, European
--	532 19 40-91	Operator's Manual, Scandinavian

**NOTE:** All component dimensions given in U.S. inches.  
1 inch = 25.4 mm

**IMPORTANT:** Use only Original Equipment Manufacturer (O.E.M.) replacement parts. Failure to do so could be hazardous, damage your lawn mower and void your warranty.

# ROTARY LAWN MOWER - - CUSTOMER MODEL NO. LM2153CMD (9541300990) PRODUCT NO. 954 13 00-99



# ROTARY LAWN MOWER - - CUSTOMER MODEL NO. **LM2153CMD** (95413009900) PRODUCT NO. 954 13 00-99

KEY NO.	PART NO.	DESCRIPTION
1	532 18 76-26	Cable, Drive
2	532 16 14-73	Bail, Control, Drive
3	532 16 45-57	Bracket, Downstop
4	532 75 06-34	Screw, Tapping, Hex Washer Head #10-24
5	532 19 55-46	Cover, Drive
6	532 75 06-34	Screw, Threaded, Rolled #10-25 x .50
7	532 16 08-16	V-Belt
8	532 13 20-10	Nut, Hex, Flangelock, Zinc Plated 3/8-16
9	532 16 39-39	Pulley, Driven
10	532 16 45-53	Belt Keeper
11	532 16 34-09	Screw, Hex Washer Head #10-24 x .668
12	532 18 76-27	Spring
13	532 18 82-95	Gearcase Assembly, Complete
14	532 14 53-54	Pin, Spring, Thrust
15	532 05 70-79	Washer, Hardened
16	532 16 15-84	Rod, Connecting
17	532 16 16-02	Spring, Extension
18	532 19 07-94	Spring, Selector
19	532 19 00-69	Knob, Selector Spring
20	812 00 00-22	E-Ring 7/8
21	532 16 33-65	Bearing, Support
22	532 16 99-11	Bearing, Ball
23	532 16 45-55	Retainer, Drive Assembly, Stamped
24	532 05 78-08	Screw, Tapping, Hex Head 1/4-20 x .75
25	532 17 00-11	Drive Pawl
26	532 16 64-50	Pinion, Drive
27	532 05 21-60	Washer, Shim (as required)
28	812 00 00-58	E-Ring 7/16
29	532 18 94-03	Cover, Dust, Wheel
32	532 18 80-42	Wheel & Tire Assembly, Rear, Driven 9 x 2

KEY NO.	PART NO.	DESCRIPTION
33	532 08 39-23	Nut, Hex, Flangelock
34	532 18 06-26	Hubcap
35	532 19 60-16	Shaft Assembly, Rear
36	532 16 60-15	Shaft Assembly, Front
37	532 16 14-63	Retainer, Front Shaft
38	532 16 34-09	Screw #12 x 5/8
39	532 70 02-79	Clip, Retainer
40	532 15 03-48	Wheel & Tire Assembly, Front 8 x 2
42	532 18 81-52	O-Ring
43	532 08 83-48	Washer, Flat 3/8
44	532 06 23-35	Belleville Washer 1/2
45	532 06 77-25	Washer 1/2 x 1-1/2 x .134
46	819 57 22-16	Washer
47	532 08 81-18	Felt Washer
51	817 54 10-11	Screw, Tapping #10-24 x .668
52	532 16 06-72	Gear Case, Upper
53	532 05 70-72	Seal
54	532 16 96-11	Drive Shaft
55	532 16 08-18	Bearing, Needle, Thrust
56	532 07 78-81	Bearing
57	532 16 08-17	Washer, Thrust
58	532 85 08-48	Key, Hi-pro
59	532 16 06-78	Shaft, Worm
60	532 16 06-79	Gear, Helical
61	532 16 06-73	Gear Case, Lower
62	532 05 70-79	Washer, Hardened
63	812 00 00-39	E-Ring
64	532 08 64-47	Plug

**NOTE:** All component dimensions given in U.S. inches.  
1 inch = 25.4 mm

**IMPORTANT:** Use only Original Equipment Manufacturer (O.E.M.) replacement parts. Failure to do so could be hazardous, damage your lawn mower and void your warranty.