

LM2153CMDA

Spare parts

Ersatzteile

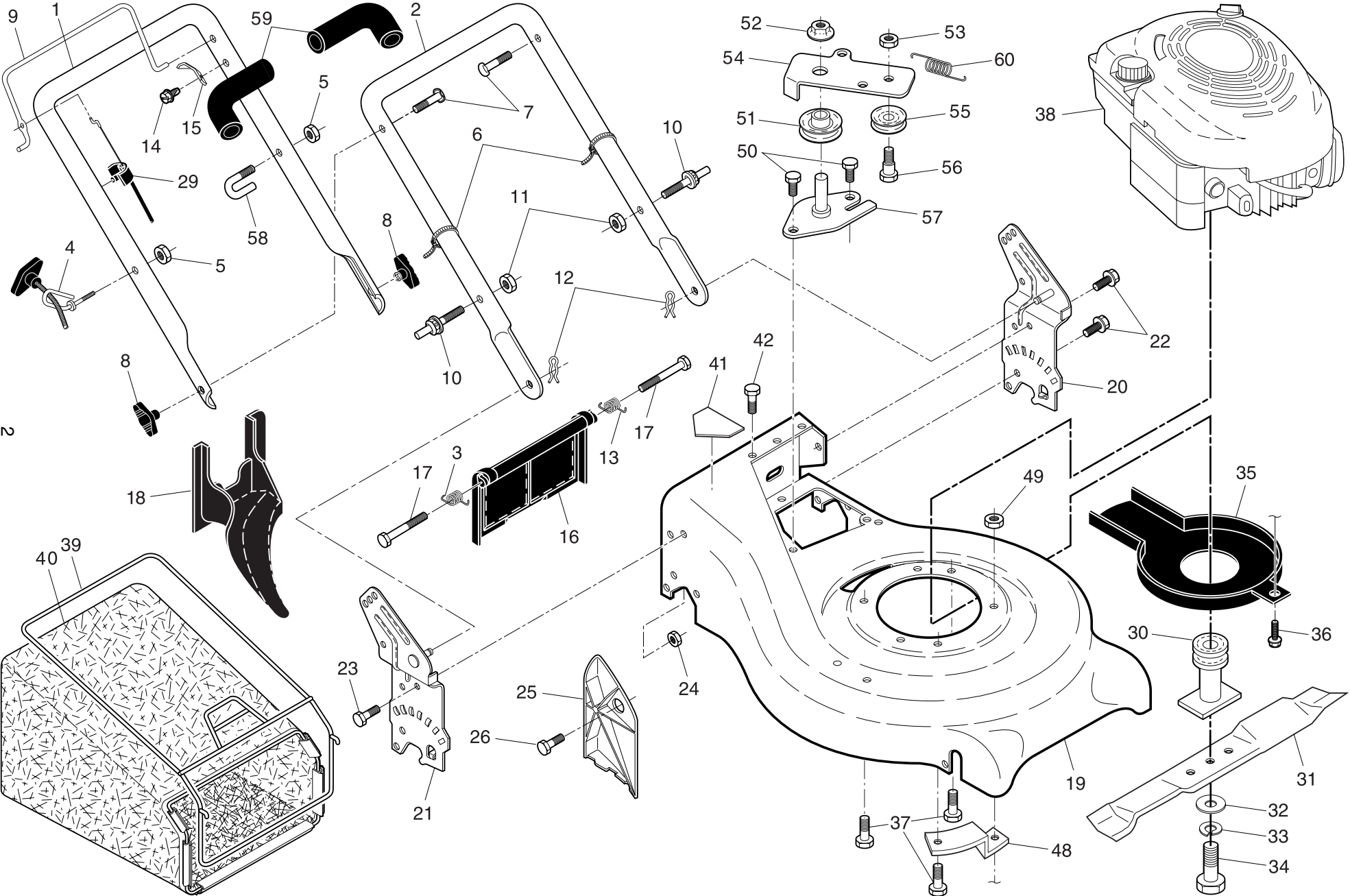
Pièces détachées

Reserve onderdelen

Repuestos

Reservdelar

ROTARY LAWN MOWER - - CUSTOMER MODEL NO. LM2153CMDA (95413022500) PRODUCT NO. 954 13 02-25



ROTARY LAWN MOWER - - CUSTOMER MODEL NO. **LM2153CMDA** (95413022500) PRODUCT NO. 954 13 02-25

KEY NO.	PART NO.	DESCRIPTION
1	532 18 97-46	Handle, Upper
2	532 19 60-05	Handle, Lower
3	532 18 60-53	Spring, Rear Door, RH
4	532 17 95-85	Guide, Rope, Side
5	532 13 20-04	Nut, Hex, with Lockwasher Insert 1/4-20
6	532 06 64-26	Wire, Tie
7	532 19 15-74	Bolt, Handle 5/16-18 x 2-5/8
8	532 19 19-38	Knob, Handle
9	532 19 61-82	Control Bar
10	532 18 88-21	Bolt, Carriage
11	873 93 05-00	Nut, Hex, with Lockwasher Insert 5/16-18 UNC
12	532 05 17-93	Cotter, Hairpin
13	532 18 60-52	Spring, Rear Door, LH
14	532 75 06-34	Screw
15	532 12 51-62	Bracket, Upstop
16	532 19 05-74	Rear Door Assembly
17	532 18 41-93	Bolt, Rear Door
18	532 18 75-35	Plug, Mulcher
19	532 19 58-30	Kit, Housing
20	532 19 40-29	Handle Bracket Assembly, LH
21	532 19 40-31	Handle Bracket Assembly, RH
22	532 15 00-78	Screw, Hex Washer Head
23	532 16 31-83	Bolt, Hex Head 5/16-18 x 5/8
24	873 80 05-00	Nut, Hex, with Lockwasher Insert 5/16-18
25	532 16 13-33	Baffle, Side
26	532 16 34-09	Screw #12 x 5/8
29	532 19 12-21	Cable, Engine Zone Control
30	532 18 91-79	Blade Adapter / Pulley
31	532 17 50-52	Blade, 21"

KEY NO.	PART NO.	DESCRIPTION
32	532 85 10-74	Washer
33	532 85 02-63	Washer, Lock
34	532 85 10-84	Bolt, Hex Head
35	532 18 87-86	Debris Shield
36	532 19 23-25	Bolt
37	532 15 04-06	Bolt, Engine
38	- - -	Engine, Briggs & Stratton, Model Number 12H802 (Order parts from Engine manufacturer)
39	532 19 40-89	Grassbag
40	532 18 88-17	Frame, Grassbag
41	532 18 21-66	Danger Decal
42	532 05 45-83	Screw
48	532 19 09-39	Mounting Bracket, Debris Shield
50	532 05 78-08	Screw
51	532 18 45-43	Pulley
52	532 14 52-12	Nut, Hex, Flanged
53	532 15 55-52	Locknut
54	532 18 58-98	Idler Arm
55	532 16 60-43	Idler Pulley
56	532 16 08-29	Shoulder Bolt
57	532 18 58-99	Bracket Assembly
58	532 18 20-03	Clip, Packaging
59	532 18 27-48	Grip, Foam
60	532 16 16-02	Spring, Extension
--	532 18 21-34	Warning Decal (not shown)
--	532 19 58-27	Operator's Manual, European
--	532 19 58-28	Operator's Manual, Scandinavian

NOTE: All component dimensions given in U.S. inches.
1 inch = 25.4 mm

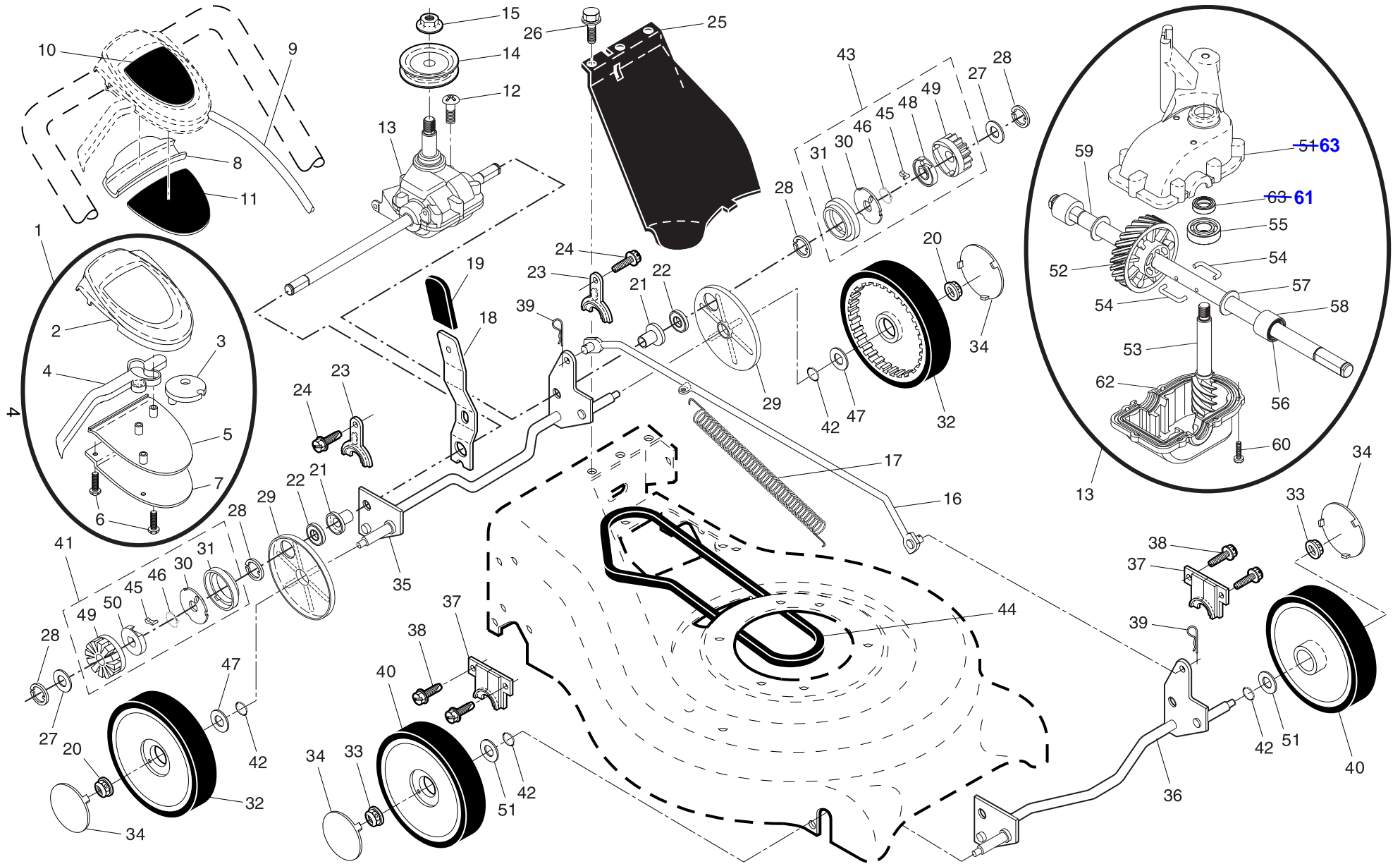
Correction:

Key No.

52 532 08 39-23 Nut, Hex, Flanged

IMPORTANT: Use only Original Equipment Manufacturer (O.E.M.) replacement parts. Failure to do so could be hazardous, damage your lawn mower and void your warranty.

ROTARY LAWN MOWER - - CUSTOMER MODEL NO. **LM2153CMDA** (95413022500) PRODUCT NO. 954 13 02-25



ROTARY LAWN MOWER - - CUSTOMER MODEL NO. **LM2153CMDA** (95413022500) PRODUCT NO. 954 13 02-25

Correction:

Key NO.

36 532 19 60-15 Shaft Assembly, Front

49 532 17 51-03 Pinion, Gear

KEY NO.	PART NO.	DESCRIPTION
1	532 18 78-03	Drive Control Assembly
2	532 18 82-77	Cover, Upper
3	532 18 73-53	Pulley
4	532 18 82-81	Lever, Drive Control
5	532 18 82-76	Cover, Lower
6	532 18 16-98	Screw
7	532 18 70-97	Mounting Bracket, Drive Control
8	532 18 49-87	Cap, Bottom
9	532 19 02-84	Cable, Drive Control
10	532 19 34-66	Decal, Drive Control Operation
11	532 18 93-79	Decal, Drive Control Adjustment (back)
12	532 18 76-53	Screw
13	532 18 86-45	Gearcase Assembly, Complete
14	532 18 94-08	Pulley Assembly
15	532 13 20-10	Nut, Flangelock, Zinc Plated 3/8-16
16	532 16 15-84	Rod, Connecting
17	532 16 16-02	Spring, Extension
18	532 19 61-62	Spring, Selector
19	532 19 00-69	Knob, Selector Spring
20	532 14 52-12	Nut, Flangelock
21	532 16 33-65	Bearing, Support
22	532 16 99-11	Bearing, Ball
23	532 16 45-55	Retainer, Drive Assembly
24	532 05 78-08	Screw, Tapping, Hex Head 1/4-20 x .75
25	532 19 55-46	Cover Drive
26	532 75 06-34	Screw, Threaded, Rolled #10-25 x .50
27	532 05 21-60	Washer, Shim (as required)
28	812 00 00-58	E-Ring 7/16
29	532 18 94-03	Cover, Dust, Wheel
30	532 17 51-04	Disc, Drive
31	532 18 41-72	Seal, Friction
32	532 18 80-42	Wheel & Tire Assembly, Rear, Driven 9 x 2
33	532 08 39-23	Nut, Hex, Flangelock 3/8-16

KEY NO.	PART NO.	DESCRIPTION
34	532 18 06-26	Hubcap, Mag, Platinum
35	532 19 60-16	Shaft Assembly, Rear
36	532 19 10-15	Shaft Assembly, Front
37	532 16 14-63	Retainer, Front Shaft
38	532 16 34-09	Screw #12 x 5/8
39	532 70 02-79	Clip, Retainer
40	532 15 03-48	Wheel & Tire Assembly, Front 8 x 2
41	532 18 83-30	Pinion Assembly, RH
42	532 18 81-52	O-Ring
43	532 18 83-31	Pinion Assembly, LH
44	532 18 22-12	V-Belt
45	532 17 50-98	Pawl
46	532 18 82-91	Spring, Torsion
47	532 06 77-25	Washer
48	532 17 51-05	Retainer, Drive, LH
49	532 17 31-03	Pinion, Gear
50	532 17 51-02	Retainer, Drive, RH
51	532 08 83-48	Washer, Flat
52	532 18 75-32	Gear, 24 Teeth
53	532 18 75-33	Shaft, Input
54	532 18 35-05	Wire, Formed
55	532 18 35-06	Bearing, Ball
56	532 18 35-08	Seal, Output Shaft
57	532 18 35-09	Washer
58	532 18 35-11	Bushing
59	532 19 12-49	Shaft, Output
60	532 18 35-13	Screw
61	532 18 35-14	Seal, Input Shaft
62	532 18 75-30	Case, Lower
63	532 18 75-31	Case, Upper

NOTE: All component dimensions given in U.S. inches.
1 inch = 25.4 mm

IMPORTANT: Use only Original Equipment Manufacturer (O.E.M.) replacement parts. Failure to do so could be hazardous, damage your lawn mower and void your warranty.