

# LM2155MD

**Spare parts**

**Ersatzteile**

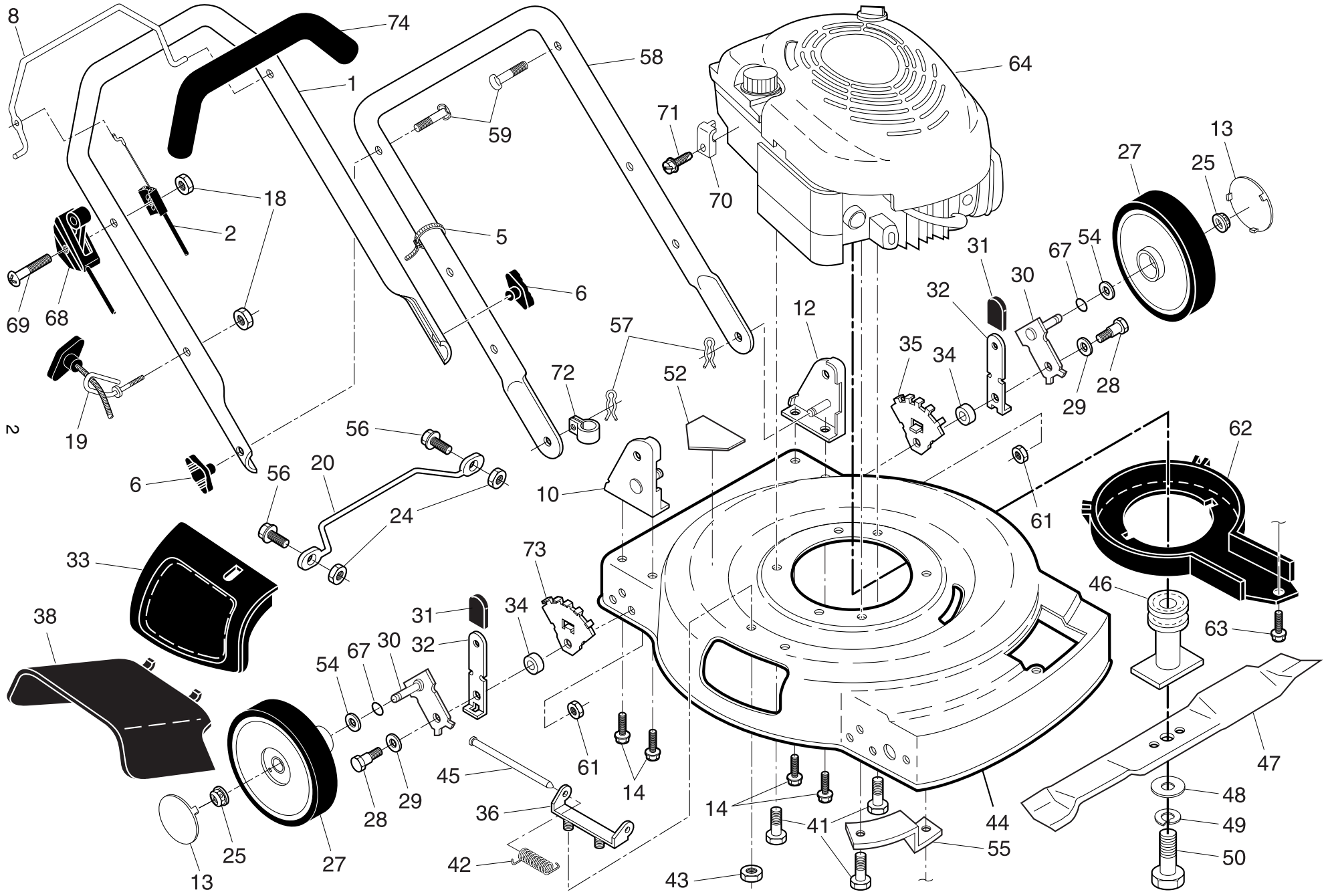
**Pièces détachées**

**Reserve onderdelen**

**Repuestos**

**Reservdelar**

# ROTARY LAWN MOWER - - CUSTOMER MODEL NO. LM2155MD (95413021900) PRODUCT NO. 954 13 02-19



# ROTARY LAWN MOWER - - CUSTOMER MODEL NO. **LM2155MD** (95413021900) PRODUCT NO. 954 13 02-19

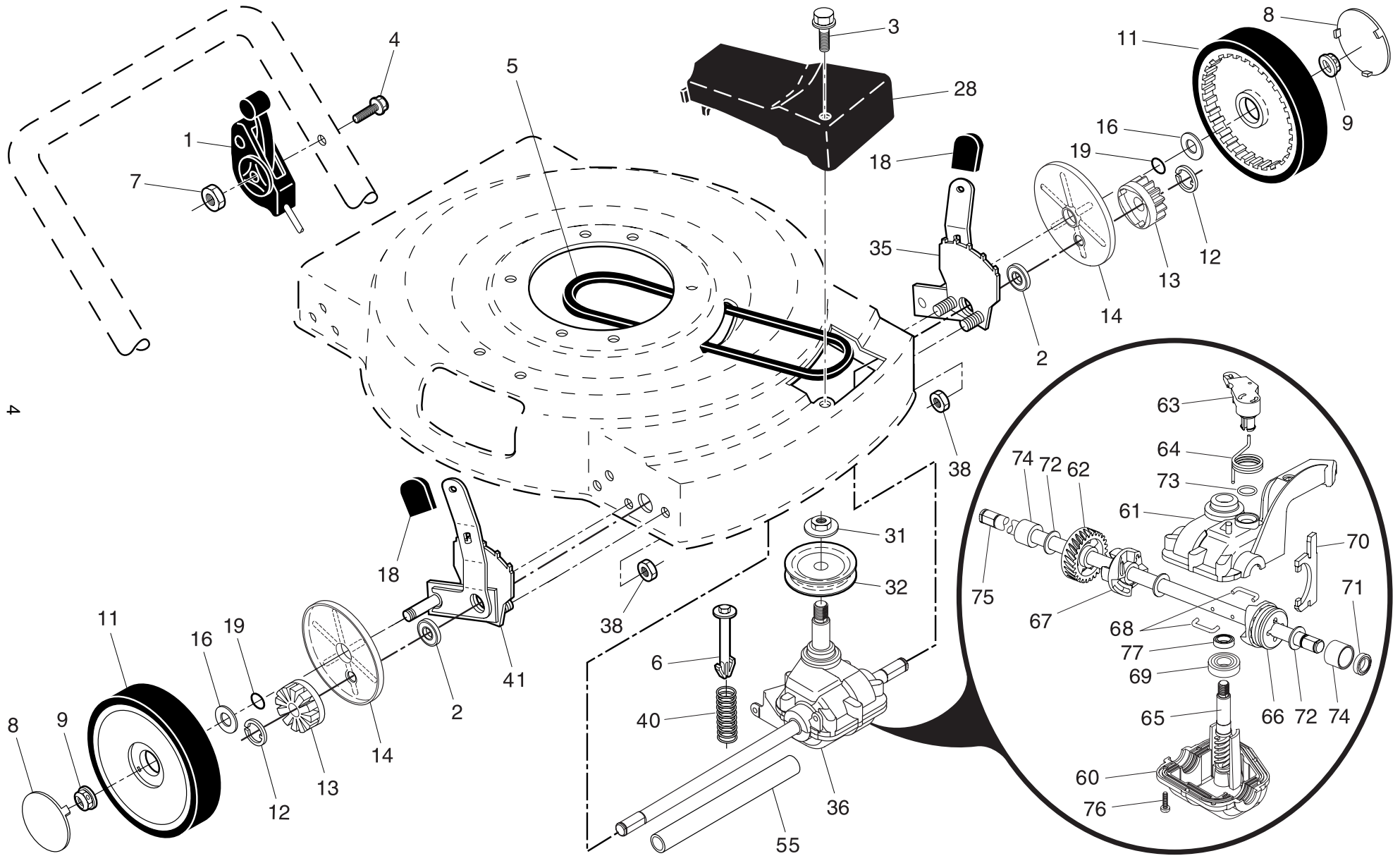
KEY NO.	PART NO.	DESCRIPTION
1	532 16 71-63	Upper Handle, with Grip
2	532 14 92-93	Cable, Engine Zone Control
5	532 06 64-26	Wire Tie
6	532 19 19-38	Handle Knob
8	532 19 05-17	Control Bar
10	532 17 09-75	Handle Bracket Assembly, RH
12	532 17 09-77	Handle Bracket Assembly, LH
13	532 18 63-06	Hubcap
14	532 14 97-41	Self-Tapping Screw 5/16-18 x 3/4
18	532 13 20-04	Nut, Hex
19	532 17 95-85	Rope Guide
20	532 15 41-47	Footguard
24	532 06 91-80	Nut, Hex
25	532 08 39-23	Locknut 3/8-16
27	532 14 35-93	Wheel & Tire Assembly, Rear 8 x 2
28	532 14 27-48	Shoulder Bolt 3/8-16
29	532 06 23-35	Belleville Washer 1/2
30	532 15 12-54	Axle Arm Assembly
31	532 13 28-00	Selector Knob
32	532 12 52-59	Selector Spring
33	532 15 18-89	Mulcher Door
34	532 14 66-30	Spacer
35	532 13 43-40	Wheel Adjusting Bracket, LH
36	532 15 41-32	Housing Bracket Assembly
38	532 19 60-11	Discharge Guard
41	532 15 04-06	Hex Head Thread Rolling Screw 3/8-16 x 1
42	532 15 21-24	Torsion Spring
43	873 80 04-00	Locknut, Hex 1/4-20
44	532 19 41-67	Kit, Lawn Mower Housing
45	532 14 72-86	Hinge Rod

KEY NO.	PART NO.	DESCRIPTION
46	532 18 91-79	Blade Adapter / Pulley
47	532 19 26-82	22" Blade
48	532 85 10-74	Hardened Washer
49	532 85 02-63	Washer, Lock Helical 3/8
50	532 85 10-84	Hex Head Screw 3/8-24 x 1-3/8 Grade 8
52	532 18 21-66	Danger Decal
54	532 08 83-48	Washer, Flat 3/8
55	532 19 09-39	Mounting Bracket, Debris Shield
56	532 08 58-25	Screw
57	532 05 17-93	Hairpin Cotter
58	532 15 50-44	Lower Handle
59	532 19 15-74	Handle Bolt 5/16-18 x 1-3/4
61	532 75 15-92	Locknut, Hex 3/8-16
62	532 18 87-84	Debris Shield
63	532 19 23-25	Screw, Hex Washer Head
64	- - -	Engine - Briggs & Stratton Model No. 128802 (Order parts from engine manufacturer)
67	532 18 81-52	O-Ring
68	532 18 21-57	Throttle Control
69	532 18 33-65	Screw
70	532 11 11-90	Cable Clamp
71	532 08 38-16	Thread Rolling Screw #10-32 x 5/8
72	532 19 27-70	Clip, Cable
73	532 13 43-41	Wheel Adjusting Bracket, RH
74	532 16 42-65	Handle Grip
--	532 18 21-34	Warning Decal (not shown)
--	532 19 41-64	Operator's Manual, European
--	532 19 41-65	Operator's Manual, Scandinavian

**NOTE:** All component dimensions given in U.S. inches.  
1 inch = 25.4 mm

**IMPORTANT:** Use only Original Equipment Manufacturer (O.E.M.) replacement parts. Failure to do so could be hazardous, damage your lawn mower and void your warranty.

**ROTARY LAWN MOWER - - CUSTOMER MODEL NO. LM2155MD (95413021900) PRODUCT NO. 954 13 02-19**



# ROTARY LAWN MOWER - - CUSTOMER MODEL NO. LM2155MD (95413021900) PRODUCT NO. 954 13 02-19

KEY NO.	PART NO.	DESCRIPTION
1	532 18 45-88	Drive Control
2	532 16 73-87	Bearing, Wheel Adjuster
3	532 14 36-03	Pan Head Tapping Screw #10-24 x 2-3/4
4	532 15 87-55	Hex Washer Head Screw 1/4-20 x 2-1/8
5	532 14 65-27	V-Belt
6	532 15 04-95	Spring Retainer
7	532 19 17-30	Locknut
8	532 18 63-06	Hubcap
9	532 08 39-23	Locknut
11	532 18 07-56	Wheel & Tire Assembly 8.00 x 2.00
12	812 00 00-58	E-Ring
13	532 13 70-54	Pinion
14	532 18 94-03	Dust Cover
16	532 06 77-25	Washer
18	532 13 28-00	Selector Knob
19	532 18 81-52	O-Ring
28	532 19 58-11	Drive Cover
31	532 13 20-10	Flanged Locknut
32	532 18 94-07	Drive Pulley
35	532 15 24-58	Wheel Adjuster Assembly, LH (Includes Knob and Bearing)
36	532 18 72-11	Gear Case Assembly, Complete
38	873 80 04-00	Locknut, Hex
40	532 13 70-90	Spring
41	532 15 24-57	Wheel Adjuster Assembly, RH (Includes Knob and Bearing)
55	532 08 60-12	Drive Shaft Cover

KEY NO.	PART NO.	DESCRIPTION
60	532 18 34-97	* Case, Lower
61	532 18 34-98	* Case, Upper
62	532 18 34-99	Gear, 27 Teeth
63	532 18 35-00	Lever, Clutch
64	532 18 35-01	Spring, Return
65	532 18 35-02	Shaft, Input
66	532 18 35-03	Dog, Movable
67	532 18 35-04	Dog, Fixed
68	532 18 35-05	Wire, Formed
69	532 18 35-06	Bearing, Ball
70	532 18 35-07	Fork, Shift
71	532 18 35-08	Seal, Output Shaft
72	532 18 35-09	Washer
73	532 18 35-10	Seal, Case
74	532 18 35-11	Bushing
75	532 18 75-21	Shaft, Output
76	532 18 35-13	Screw
77	532 18 35-14	Seal, Input Shaft

\* Use Dow Corning #709 to reseal Gear Case halves.

Available accessories not included with lawn mower:

-- GCK5000 Grass Catcher

**NOTE:** All component dimensions given in U.S. inches.  
1 inch = 25.4 mm