

CS 2156

CS 2159

CS 2156 EPA

CS 2159 EPA

Spare parts

Ersatzteile

Pièces détachées

Reserve onderdelen

Repuestos

Reservdelar

Replaces

Ersetzt

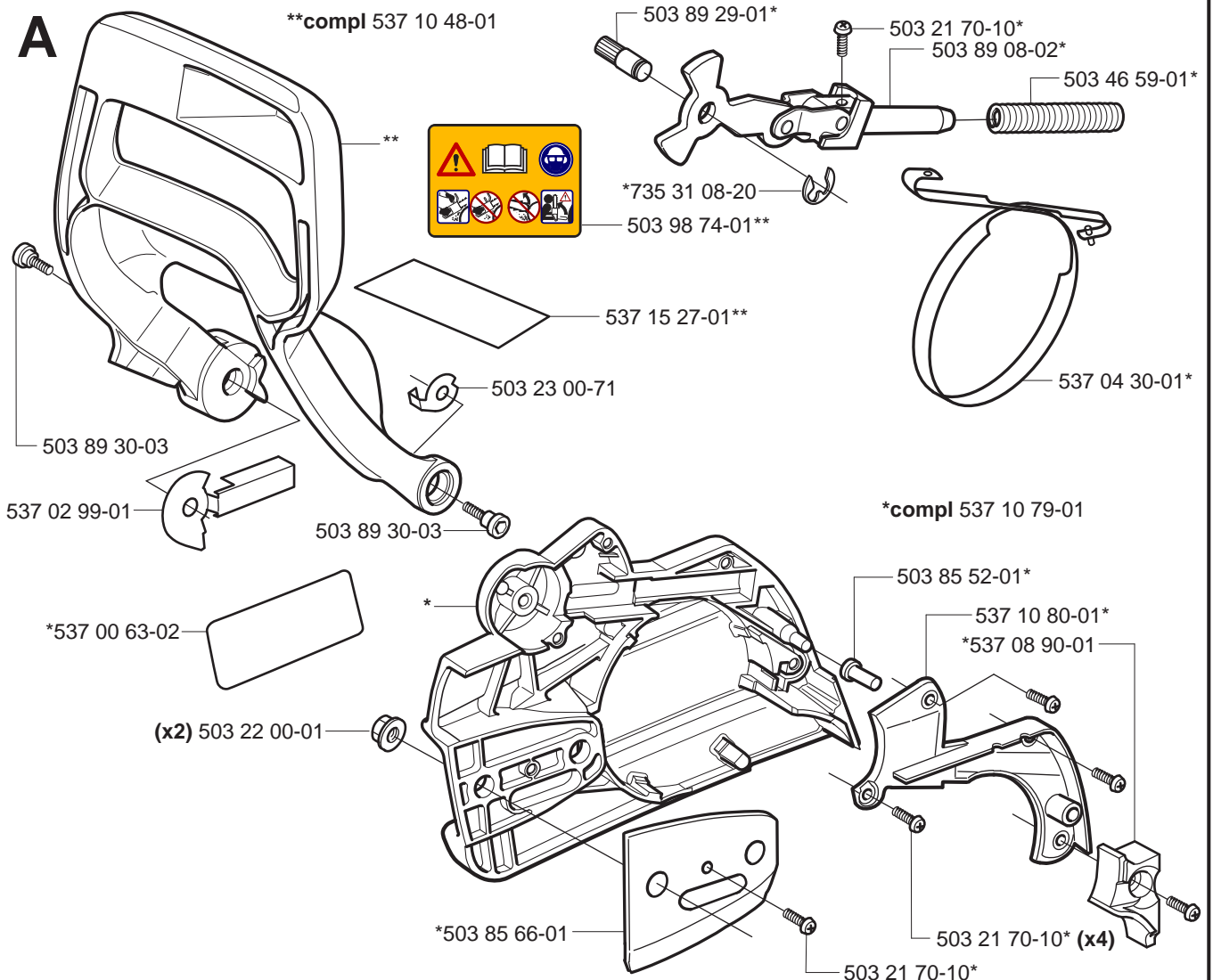
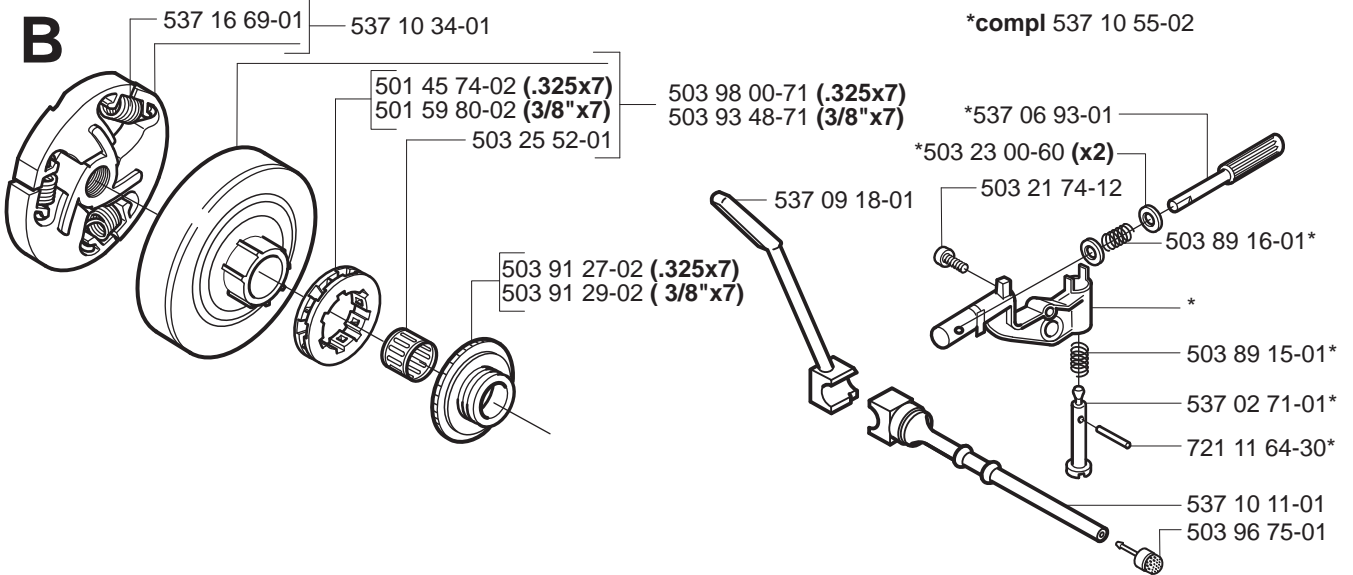
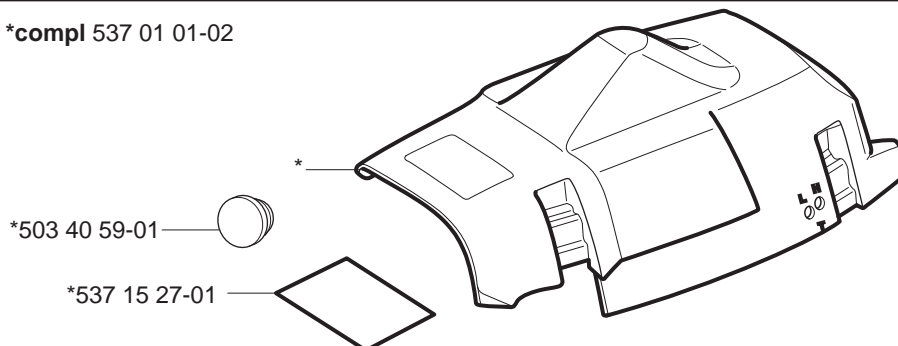
Remplace

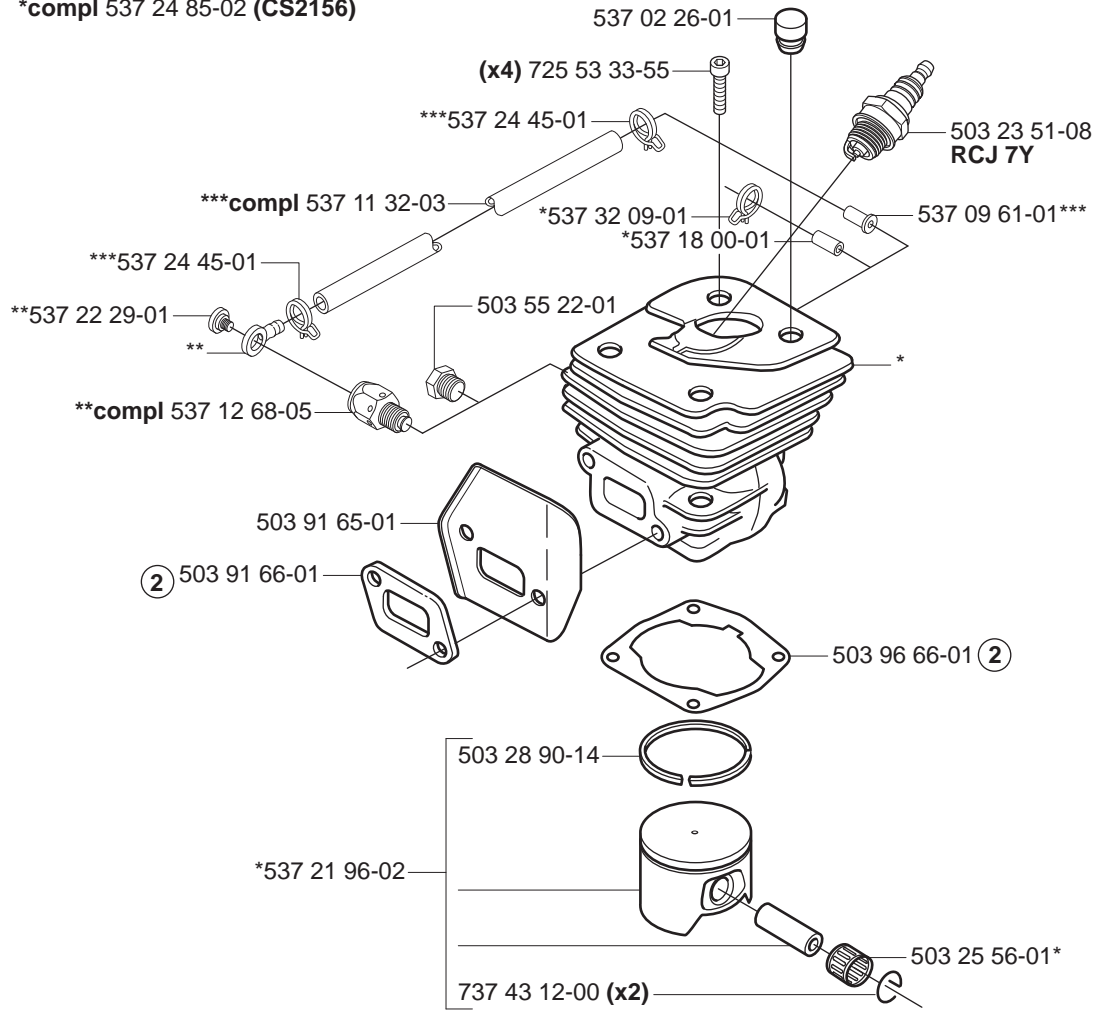
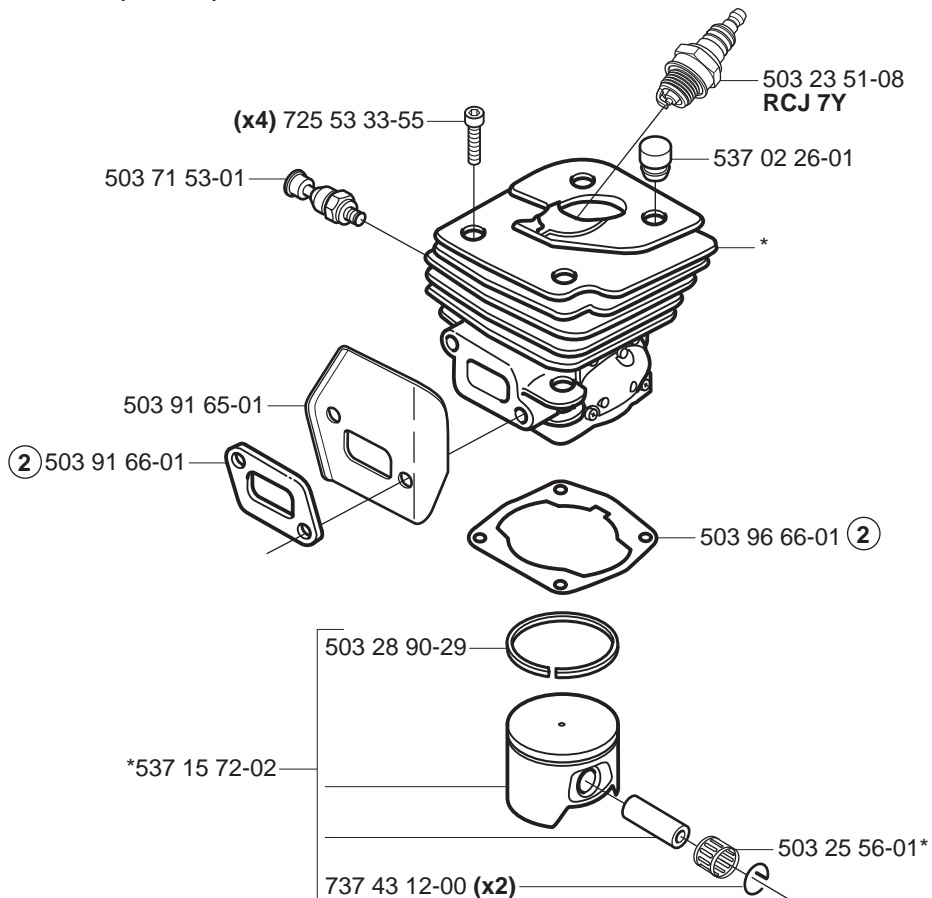
Vervangt

Reemplaza

Ersätter

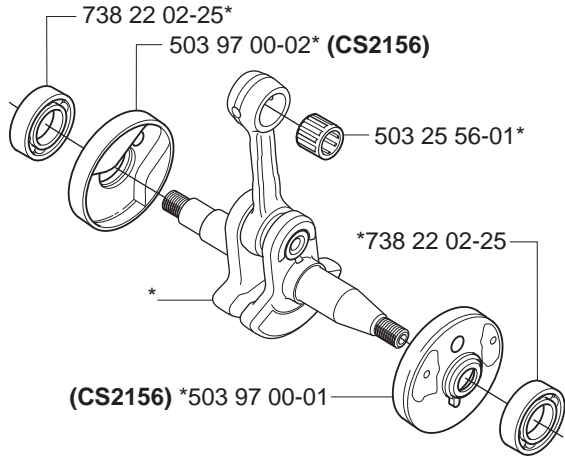
106 30 99-62

A****compl 537 10 48-01*****compl 537 10 79-01****B*****compl 537 10 55-02****C*****compl 537 01 01-02**

D***compl 537 24 85-02 (CS2156)****D*****compl 537 15 73-02 (CS2159)**

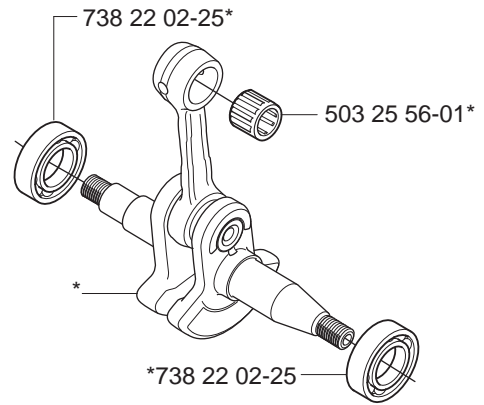
E

*compl 537 21 92-01 (CS2156)



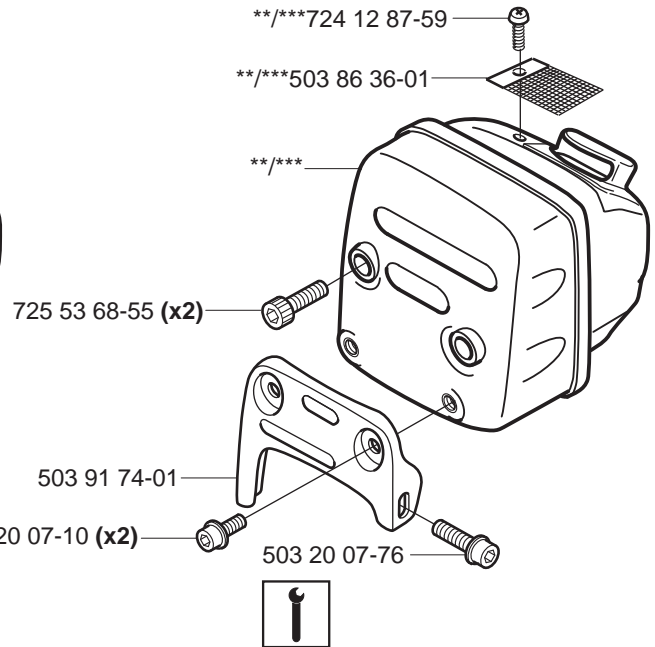
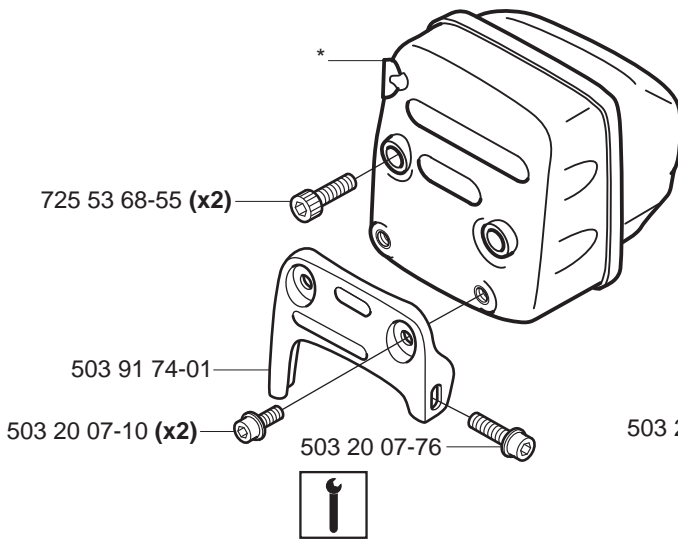
E

*compl 537 15 68-01 (CS2159)



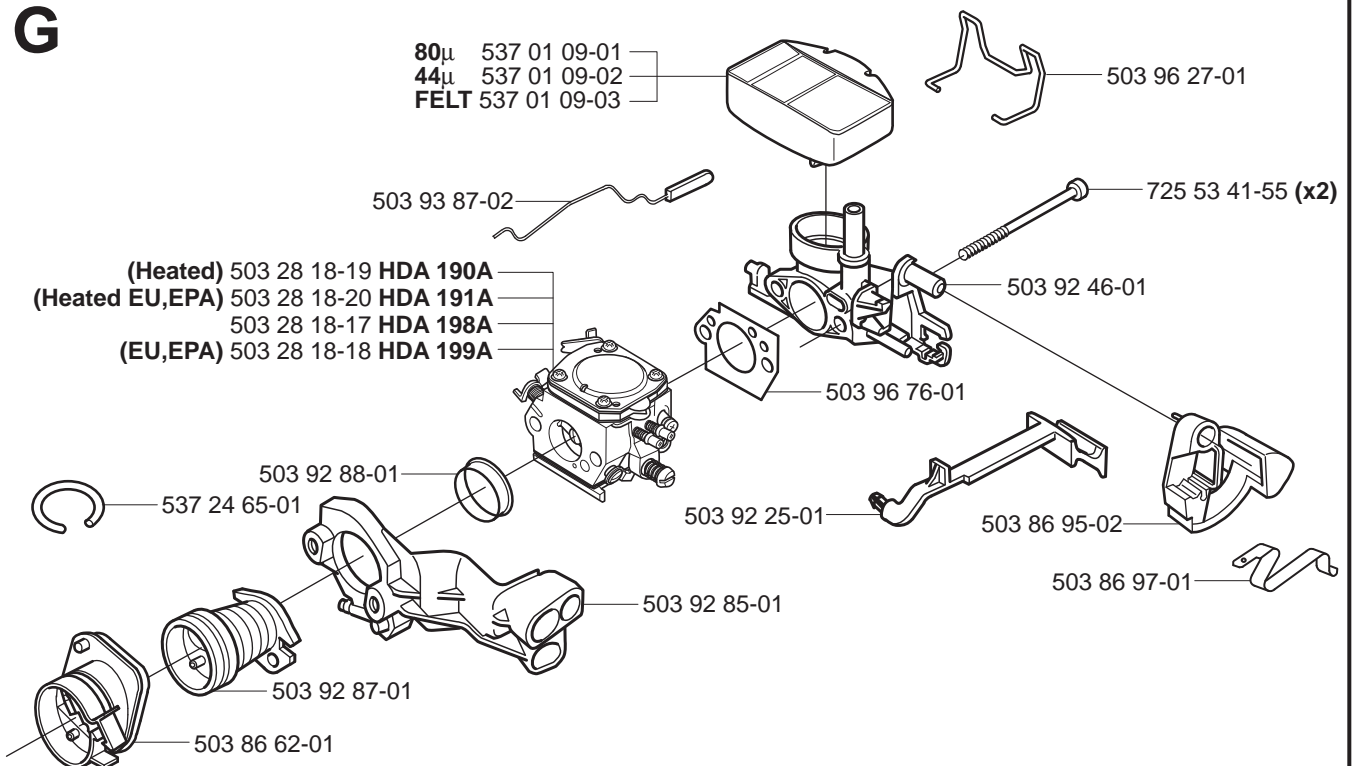
F

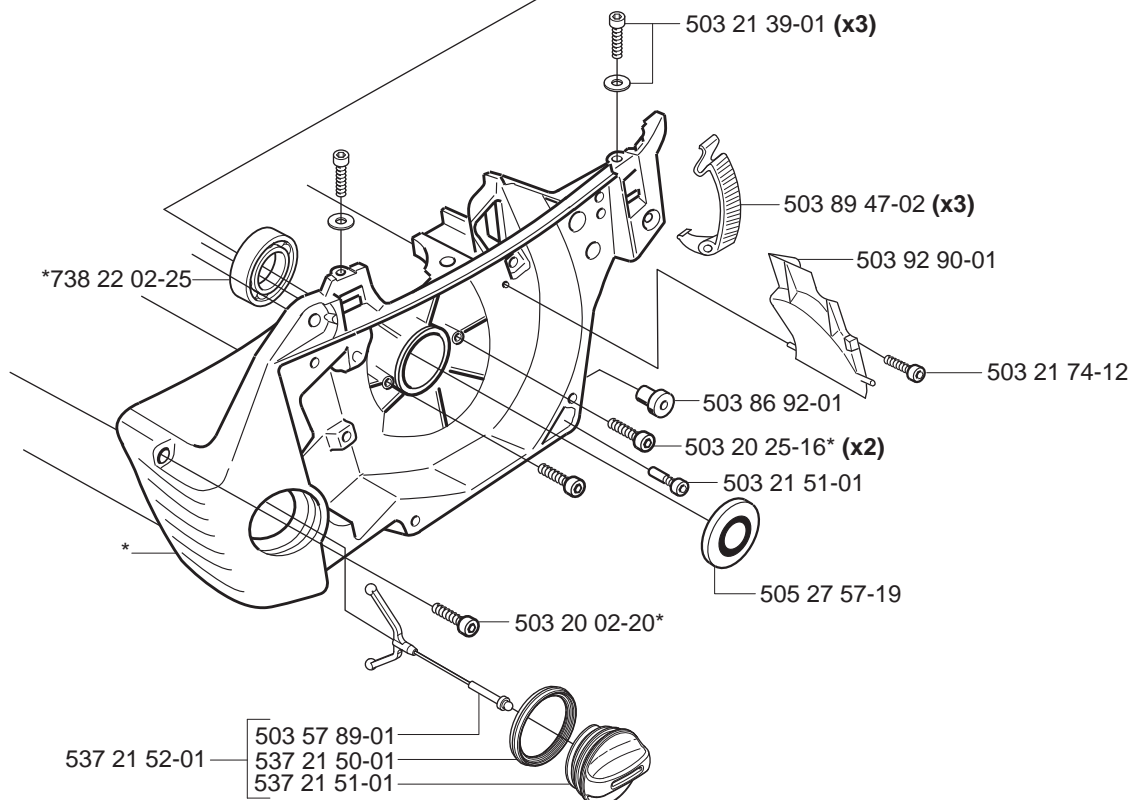
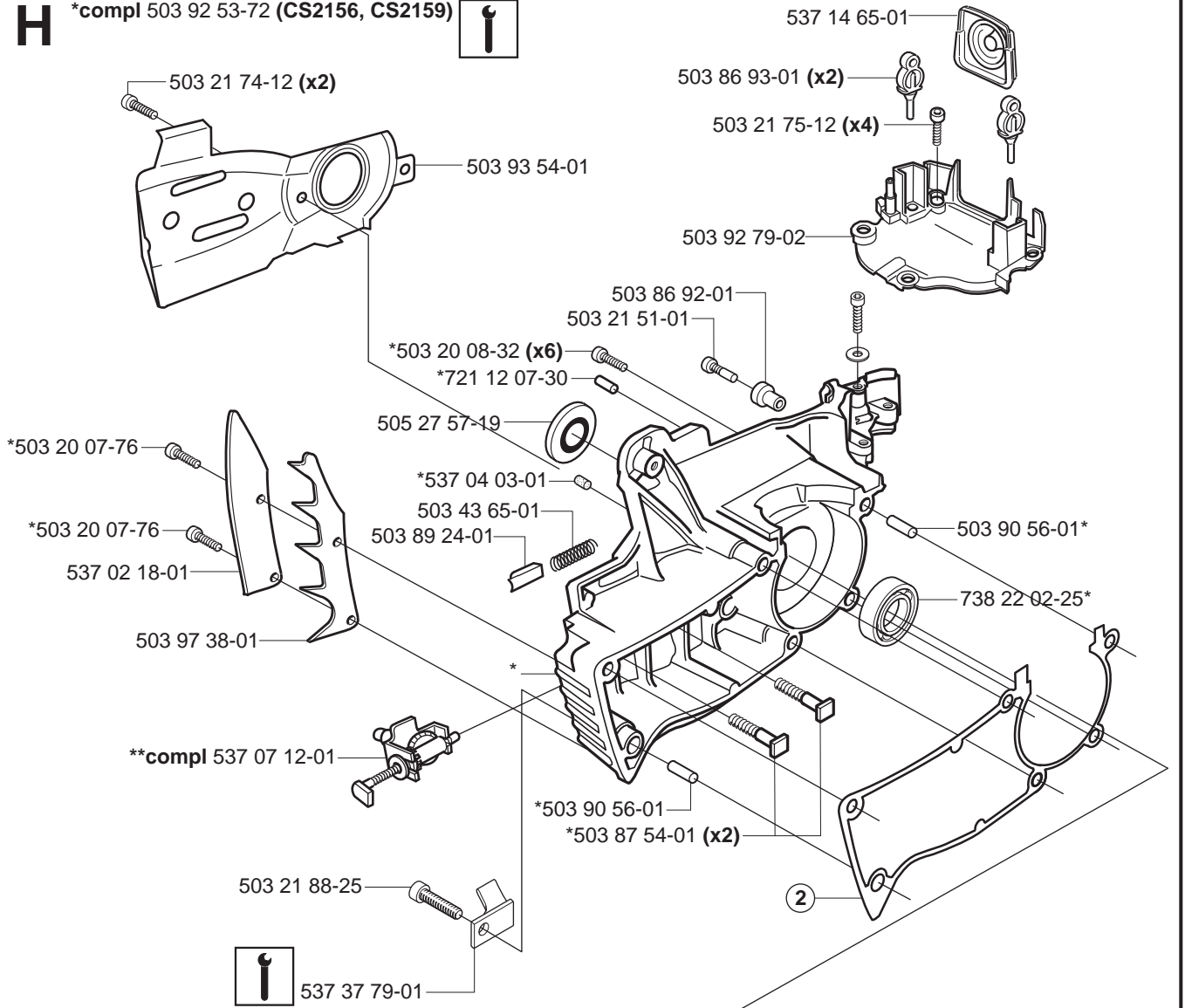
*compl 503 91 76-01 (EU CS2156, CS2159)
 **compl 503 91 75-01 (FF CS2159)
 ***compl 537 10 22-01 (CAT CS2156, CS2159)



G

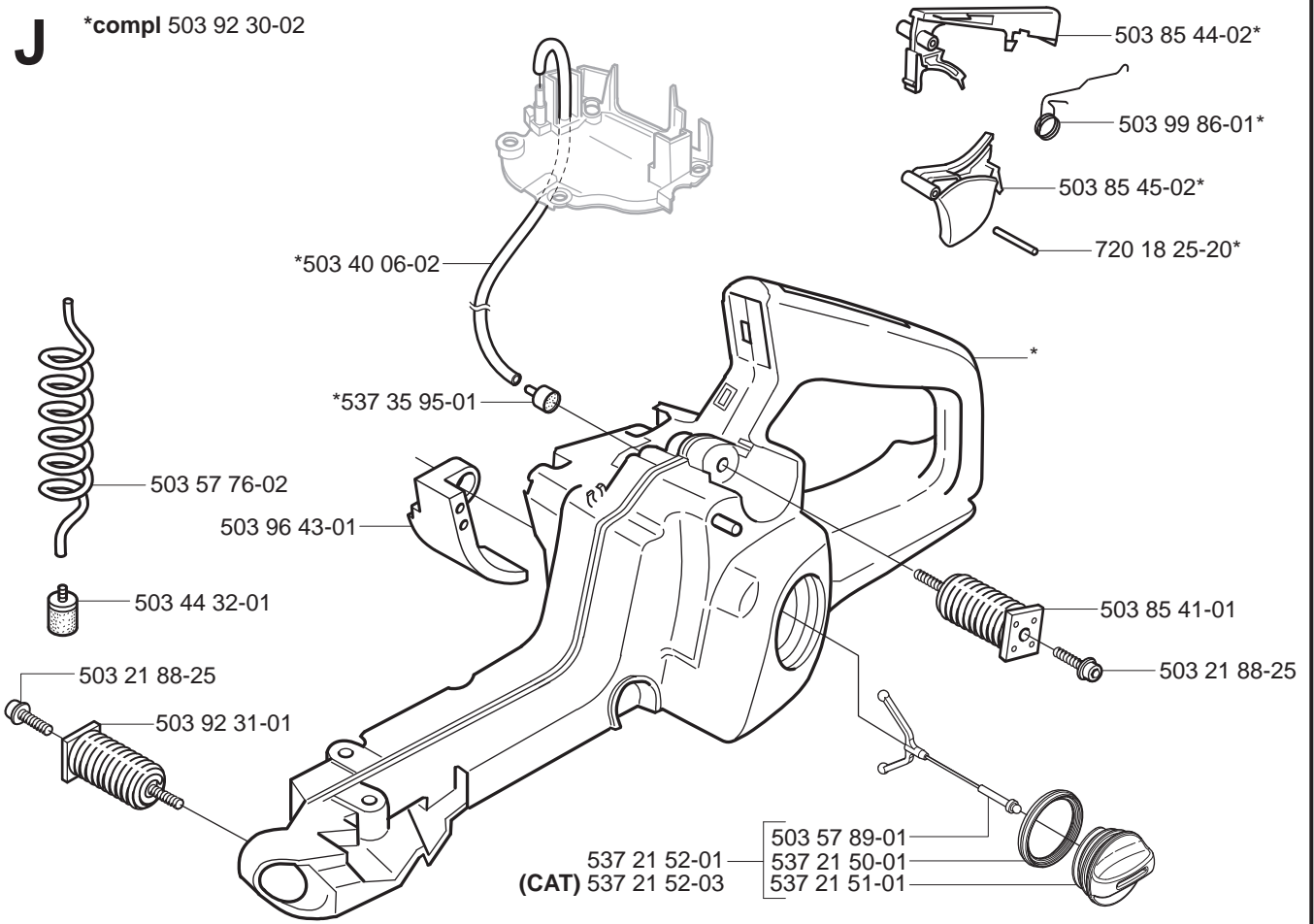
80µ 537 01 09-01
 44µ 537 01 09-02
 FELT 537 01 09-03



H***compl 503 92 53-72 (CS2156, CS2159)**

J

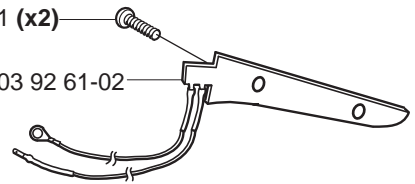
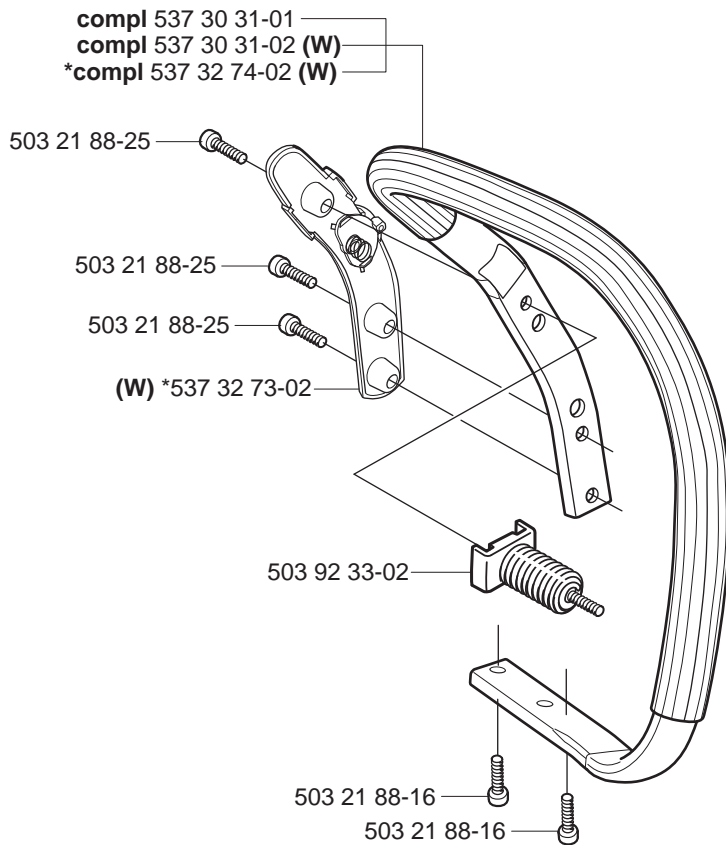
*compl 503 92 30-02



K 

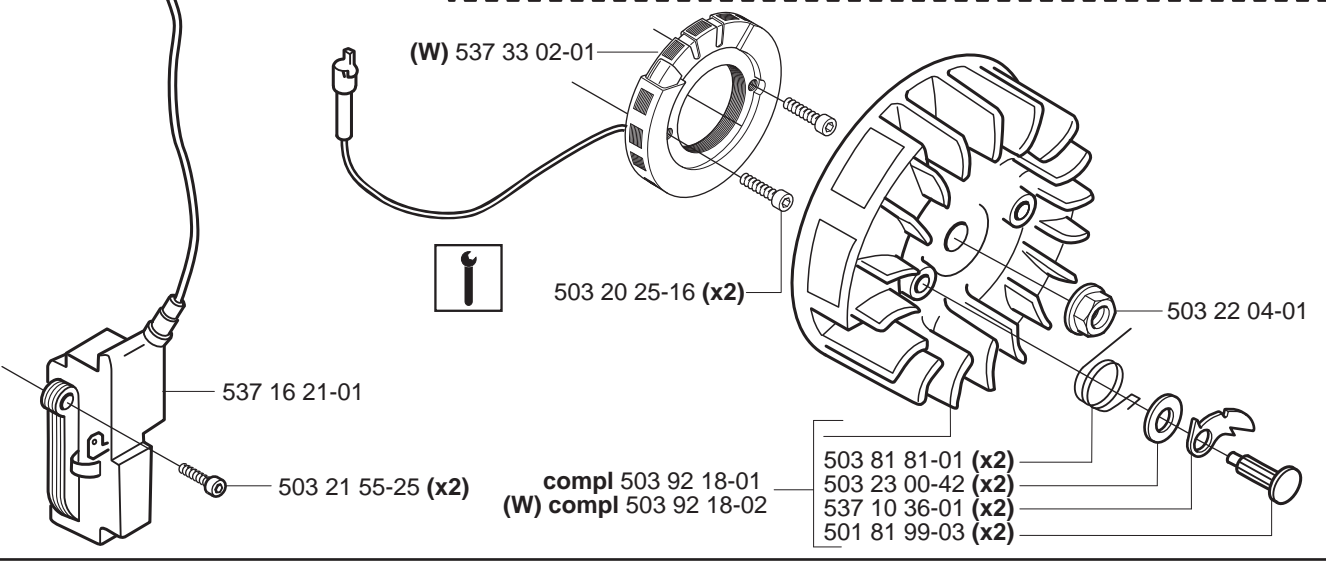
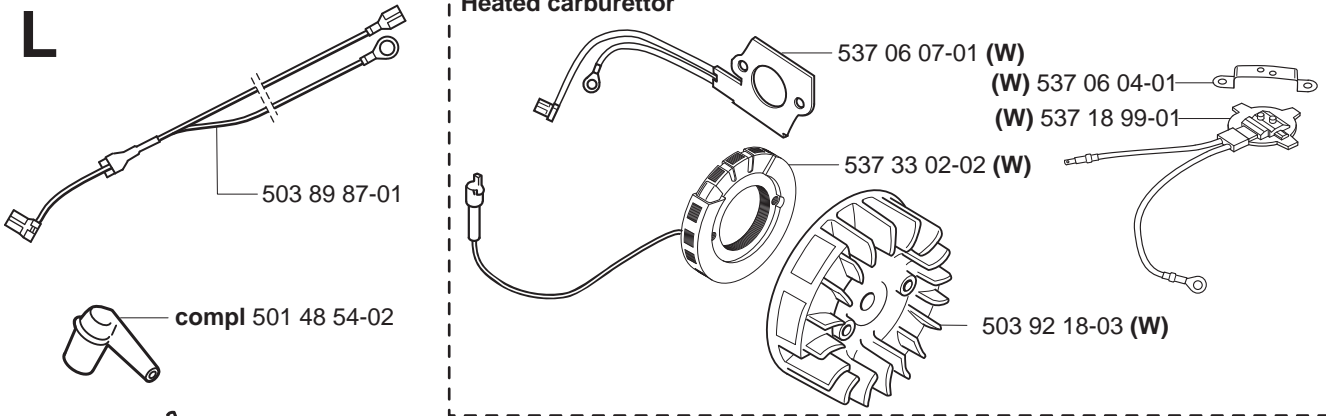
(W) *503 21 38-01 (x2)

(W) *503 92 61-02



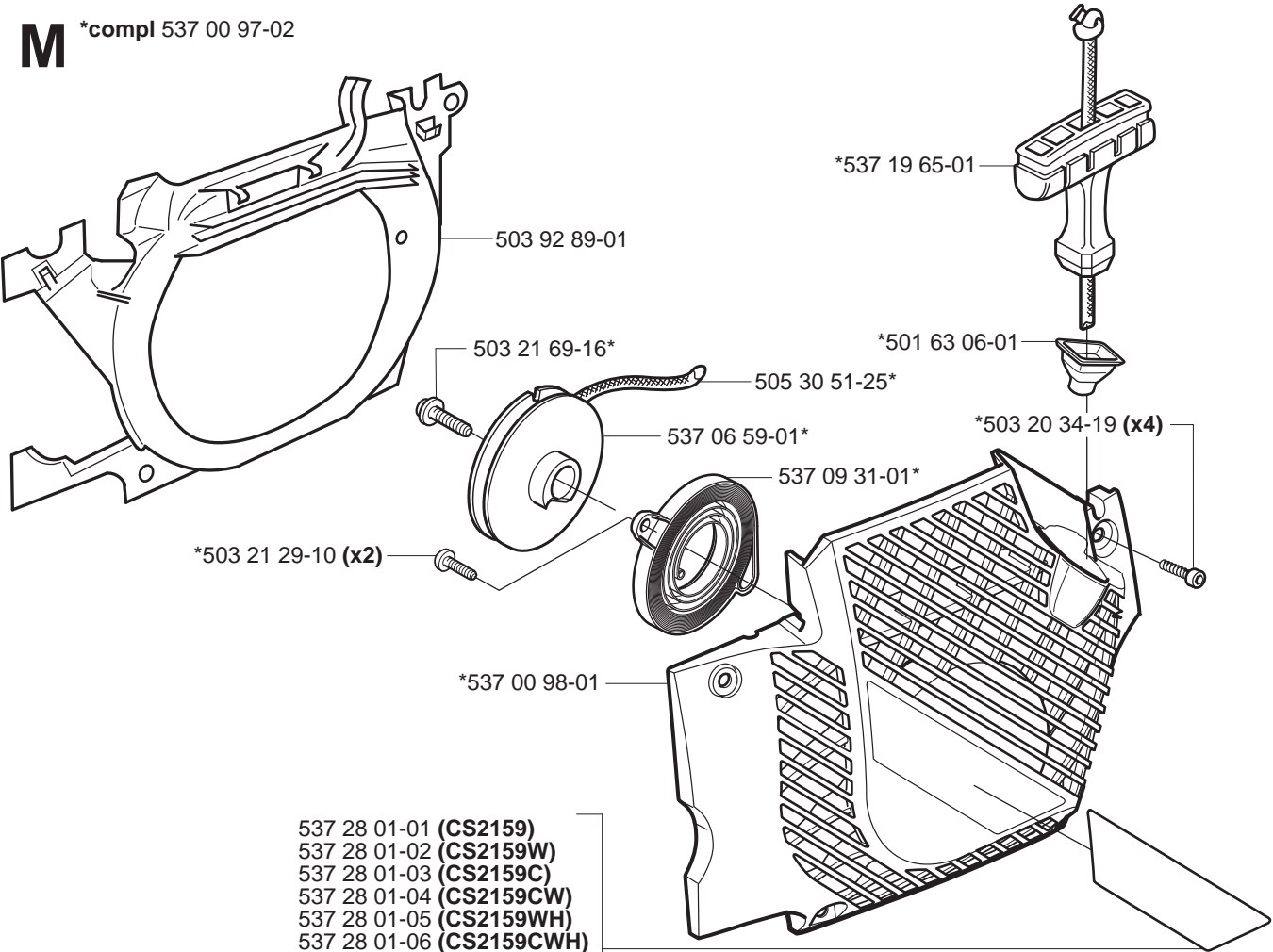
L

Heated carburettor



M

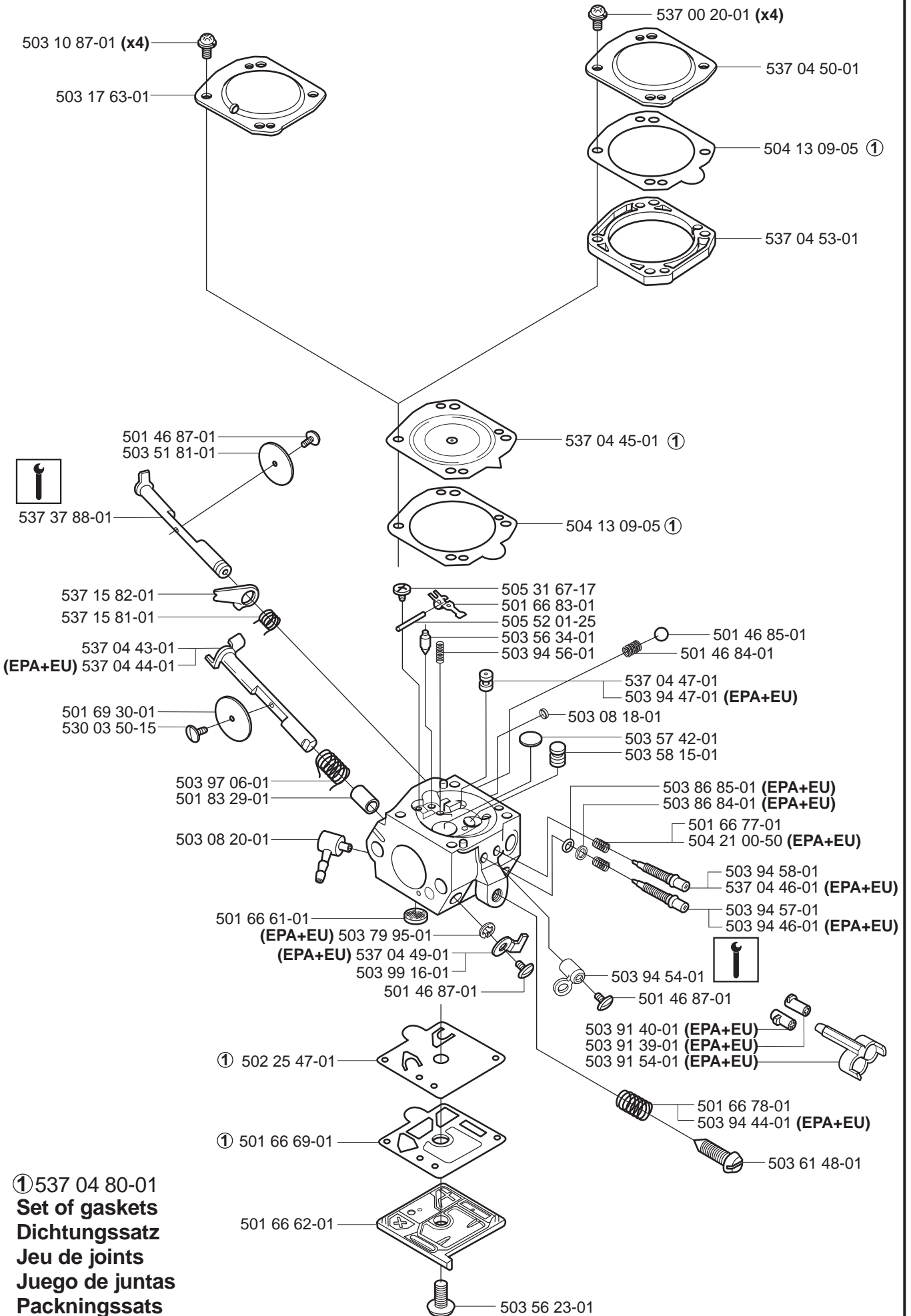
*compl 537 00 97-02



- 537 28 01-01 (CS2159)
- 537 28 01-02 (CS2159W)
- 537 28 01-03 (CS2159C)
- 537 28 01-04 (CS2159CW)
- 537 28 01-05 (CS2159WH)
- 537 28 01-06 (CS2159CWH)
- 537 28 01-07 (CS2156)
- 537 28 01-08 (CS2156CWH)
- 537 28 01-10 (CS2156C)

N compl 503 28 18-19 Walbro HDA 190A Heated
 compl 503 28 18-20 Walbro HDA 191A Heated (EPA+EU)

compl 503 28 18-17 Walbro HDA 198A
 compl 503 28 18-18 Walbro HDA 199A (EPA+EU)

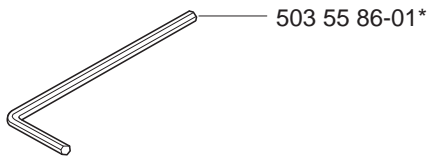
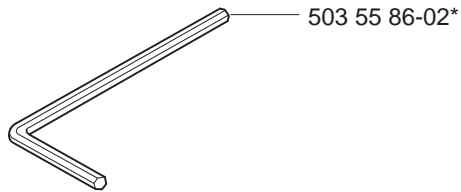
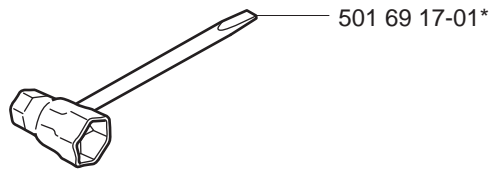


① 537 04 80-01
Set of gaskets
Dichtungssatz
Jeu de joints
Juego de juntas
Packningssatz

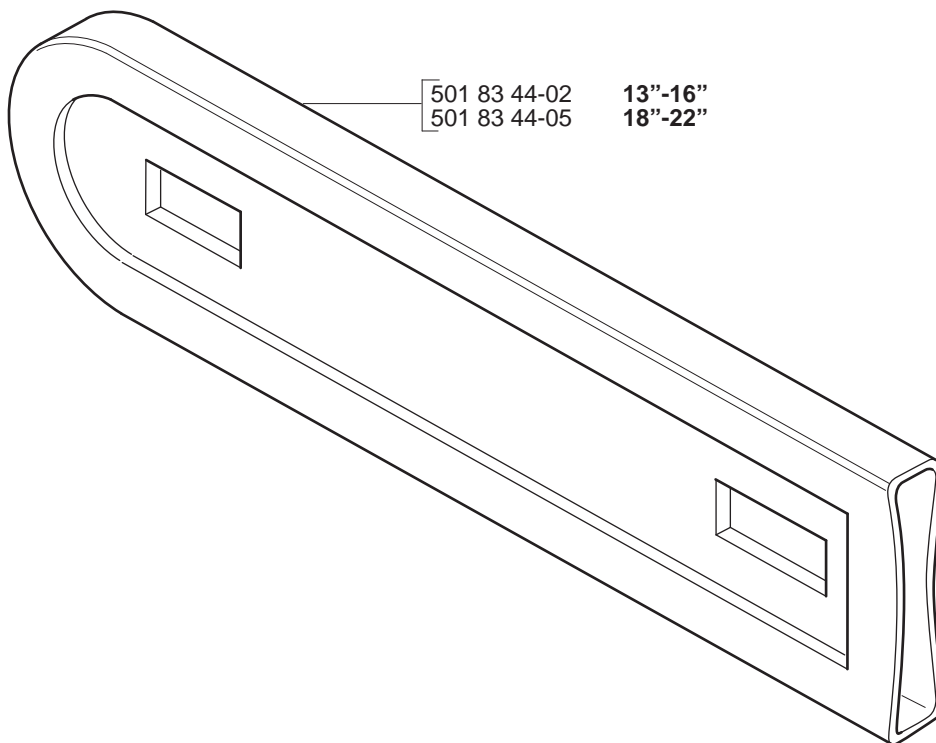
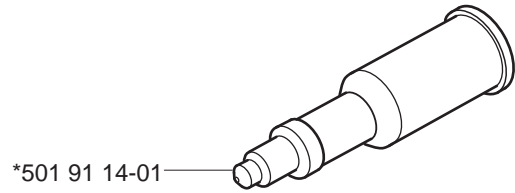
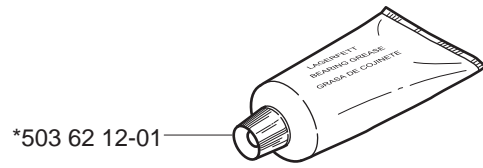
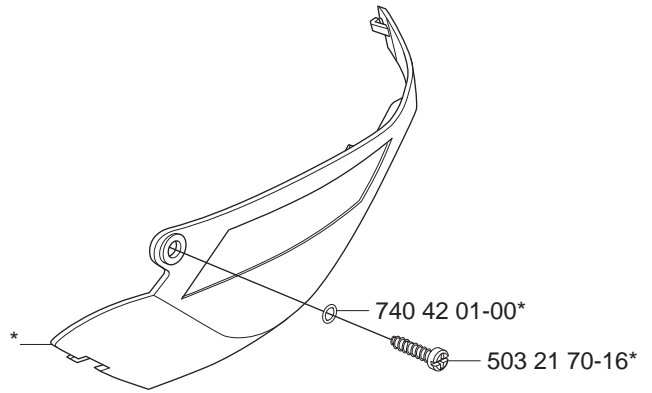
P

Accessories
Zubehöre
Accessories
Accesorios
Tillbehör

*compl 503 55 85-01



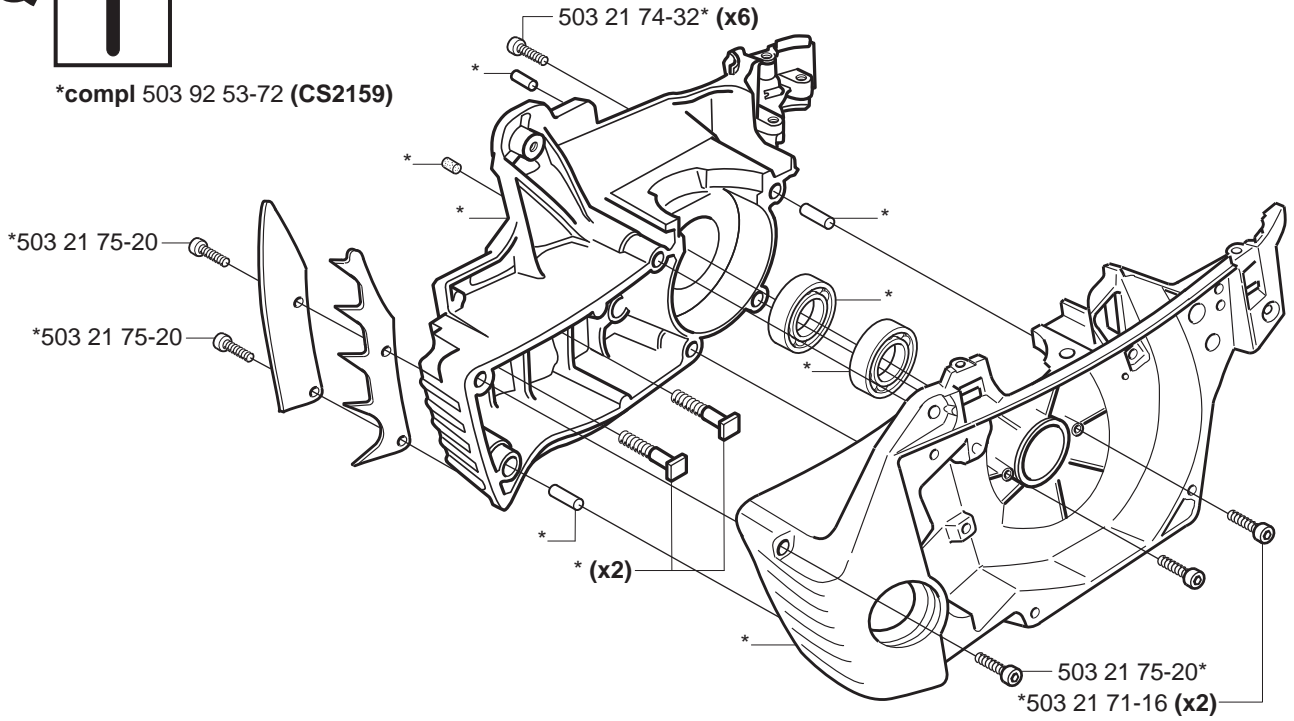
*compl 537 17 16-01 WINTER KIT



Q



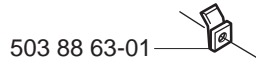
Up to 030600511 (CS2159)



Q



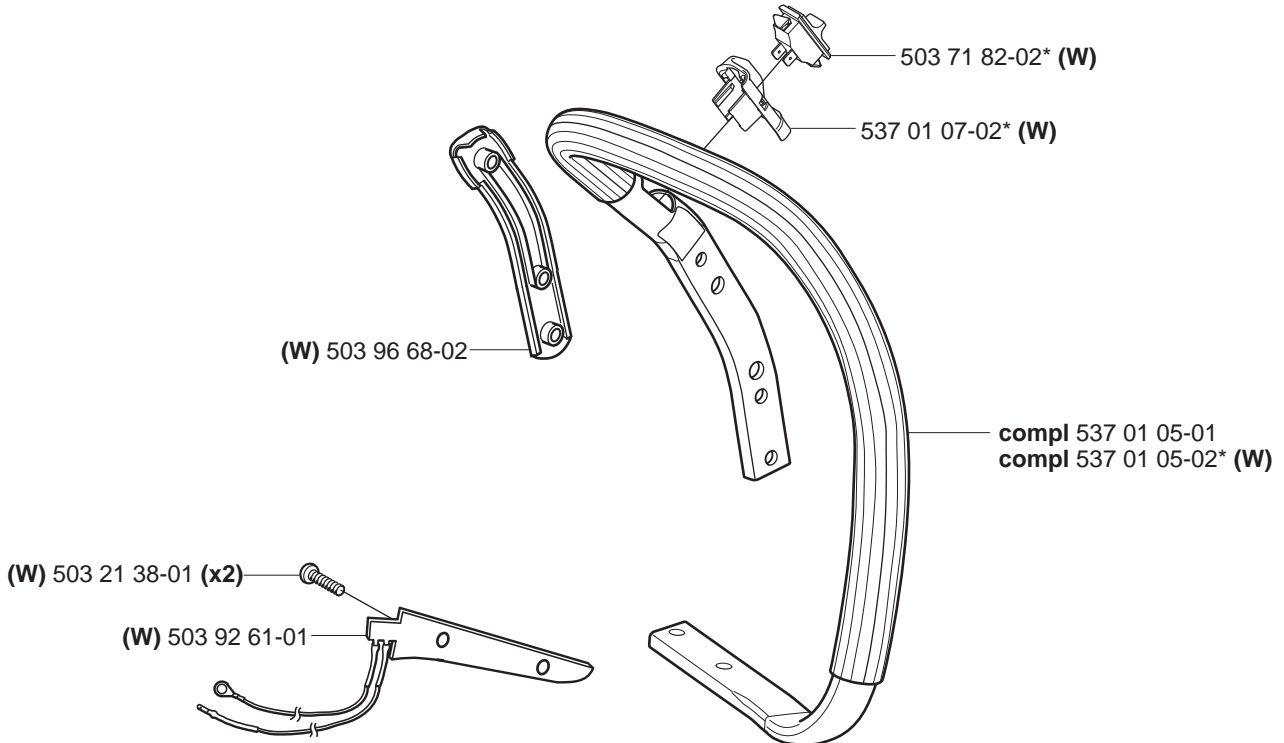
Up to 043900001 (CS2156, CS2159)



Q



Up to 043800001 (CS2156, CS2159) Up to 044800001 (W, WH, CWH)



Q



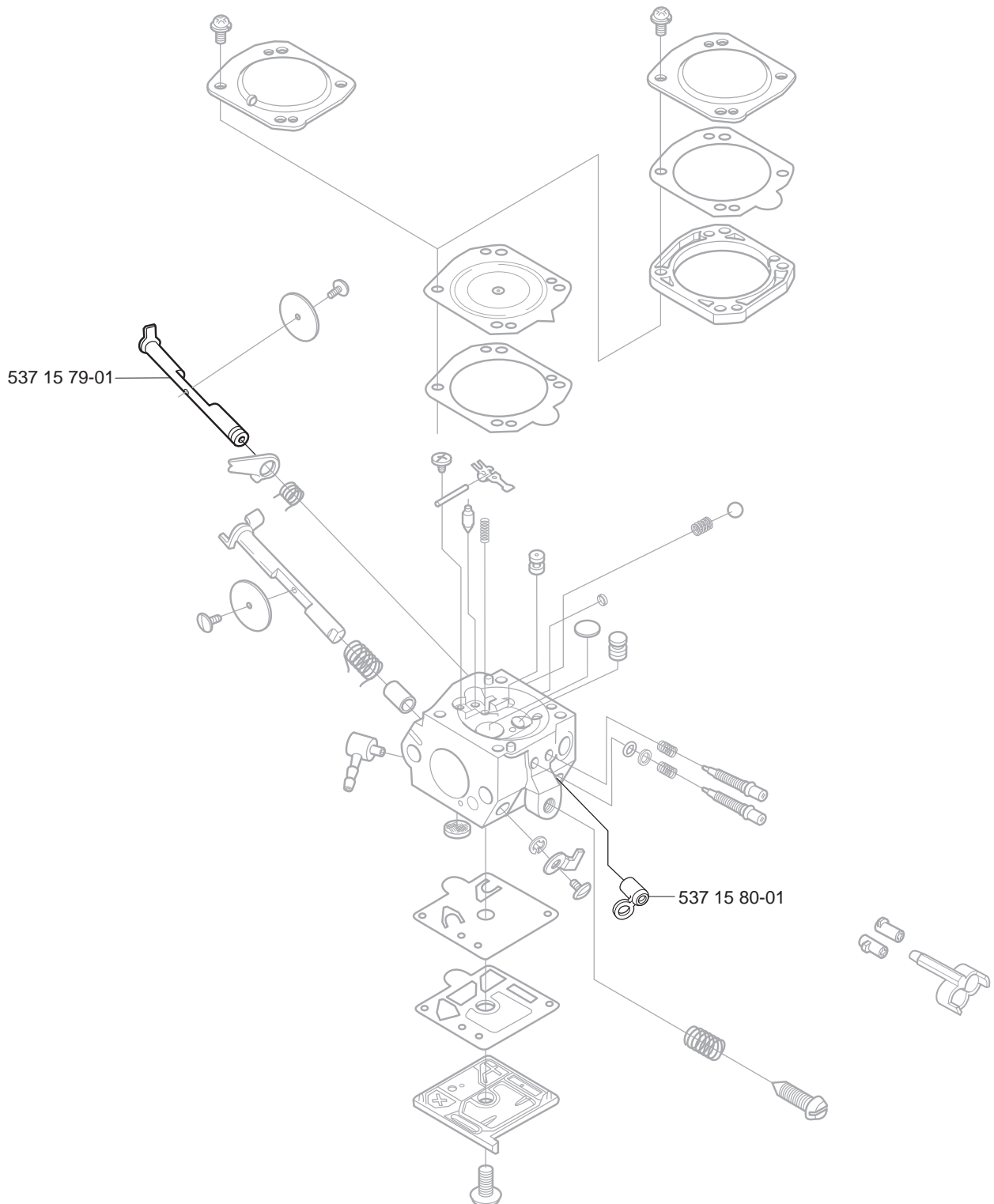
HDA 191 EPA, HDA 199 EPA:
Up to 041000001 (CS2156)
Up to 041000001 (CS2159)

HDA 198:
Up to 041800001 (CS2156)
Up to 041800001 (CS2159)

HDA 190:
Up to 043500001 (CS2156)
Up to 043500001 (CS2159)

compl 503 28 18-09 Walbro HDA 190 Heated
compl 503 28 18-10 Walbro HDA 191 Heated (EPA)

compl 503 28 18-15 Walbro HDA 198
compl 503 28 18-16 Walbro HDA 199 (EPA)



PART NUMBER	SQUARE NOTE	PART NUMBER	SQUARE NOTE	PART NUMBER	SQUARE NOTE	PART NUMBER	SQUARE NOTE
501 45 74-02	B	503 55 22-01	D	503 94 44-01	N	537 11 32-03	D
501 46 84-01	N	503 55 85-01	P	503 94 46-01	N	537 12 68-05	D N
501 46 85-01	N	503 55 86-01	P	503 94 47-01	N	537 14 65-01	H
501 46 87-01	N	503 55 86-02	P	503 94 54-01	N	537 15 27-01	A, C
501 48 54-02	L	503 56 23-01	N	503 94 56-01	N	537 15 68-01	E
501 59 80-02	B	503 56 34-01	N	503 94 57-01	N	537 15 72-02	D
501 63 06-01	M	503 57 42-01	N	503 94 58-01	N	537 15 73-02	D
501 66 61-01	N	503 57 76-02	J	503 96 27-01	G	537 15 79-01	Q EPA, CE
501 66 62-01	N	503 57 89-01	H, J	503 96 43-01	J	537 15 80-01	Q EPA, CE
501 66 69-01	N	503 58 15-01	N	503 96 66-01	D	537 15 81-01	N EPA, CE
501 66 77-01	N	503 61 48-01	N	503 96 68-02	Q	537 15 82-01	N
501 66 78-01	N	503 62 12-01	P	503 96 75-01	B	537 16 21-01	L
501 66 83-01	N	503 71 53-01	D	503 96 76-01	G	537 16 69-01	B EPA, CE
501 69 17-01	P	503 71 82-02	Q	503 97 00-01	E	537 17 16-01	P
501 69 30-01	N	503 79 95-01	N	503 97 00-02	E	537 18 00-01	D
501 81 99-03	L	503 81 81-01	L	503 97 06-01	N	537 18 99-01	L EPA, CE
501 83 29-01	N	503 85 41-01	J	503 97 38-01	H	537 19 65-01	M EPA, CE
501 83 44-02	P	503 85 44-02	J EPA, CE	503 98 00-71	B	537 21 50-01	H, J N
501 83 44-05	P	503 85 45-02	J EPA, CE	503 98 74-01	A	537 21 52-01	H, J N
501 91 14-01	P	503 85 52-01	A	503 99 16-01	N	537 21 52-03	J
502 25 47-01	N	503 85 66-01	A	503 99 86-01	J	537 21 92-01	E
503 08 18-01	N	503 86 36-01	F	504 13 09-05	N	537 21 96-02	D
503 08 20-01	N	503 86 62-01	G	504 21 00-50	N	537 22 29-01	D EPA, CE
503 10 87-01	N	503 86 84-01	N	505 27 57-19	H	537 24 45-01	D EPA, CE
503 17 63-01	N	503 86 85-01	N	505 30 51-25	M	537 24 65-01	G
503 20 02-20	H	503 86 92-01	H	505 31 67-17	N	537 24 85-02	D EPA, CE
503 20 07-10	F	503 86 93-01	H	505 52 01-25	N	537 28 01-01	M
503 20 07-76	F, H N	503 86 95-02	G	530 03 50-15	N	537 28 01-02	M
503 20 08-32	H	503 86 97-01	G	537 00 20-01	N	537 28 01-03	M
503 20 25-16	H, L	503 87 54-01	H	537 00 63-02	A	537 28 01-04	M
503 20 34-19	M	503 88 63-01	Q	537 00 97-02	M	537 28 01-05	M
503 21 29-10	M	503 89 08-02	A	537 00 98-01	M	537 28 01-06	M
503 21 38-01	K, Q	503 89 15-01	B	537 01 01-02	C	537 28 01-07	M
503 21 39-01	H	503 89 16-01	B	537 01 05-01	Q	537 28 01-08	M
503 21 51-01	H	503 89 24-01	H	537 01 05-02	Q	537 28 01-10	M
503 21 55-25	L	503 89 29-01	A	537 01 07-02	Q	537 30 31-01	K N
503 21 69-16	M	503 89 30-03	A N	537 01 09-01	G	537 30 31-02	K N
503 21 70-10	A	503 89 47-02	H	537 01 09-02	G	537 32 09-01	D
503 21 70-16	P	503 89 87-01	L	537 01 09-03	G	537 32 73-02	K N
503 21 71-16	Q	503 90 56-01	H	537 02 18-01	H	537 32 74-02	K N
503 21 74-12	B, H	503 91 27-02	B	537 02 26-01	D	537 33 02-01	L N
503 21 74-32	Q	503 91 29-02	B	537 02 71-01	B	537 33 02-02	L N
503 21 75-12	H	503 91 39-01	N	537 02 99-01	A	537 35 95-01	J N
503 21 75-20	Q	503 91 40-01	N	537 04 03-01	H	537 37 79-01	H N
503 21 88-16	K	503 91 54-01	N	537 04 30-01	A	537 37 88-01	N
503 21 88-25	H, J, K	503 91 65-01	D	537 04 43-01	N	720 18 25-20	J
503 22 00-01	A	503 91 66-01	D	537 04 44-01	N	721 11 64-30	B
503 22 04-01	L	503 91 74-01	F	537 04 45-01	N	721 12 07-30	H
503 23 00-42	L	503 91 75-01	F	537 04 46-01	N	724 12 87-59	F
503 23 00-60	B	503 91 76-01	F	537 04 47-01	N EPA, CE	725 53 33-55	D
503 23 00-71	A	503 92 18-01	L	537 04 49-01	N EPA, CE	725 53 41-55	G
503 23 51-08	D	503 92 18-02	L	537 04 50-01	N	725 53 68-55	F
503 25 52-01	B	503 92 18-03	L	537 04 80-01	N	735 31 08-20	A
503 25 56-01	D, E	503 92 25-01	G	537 06 04-01	L	737 43 12-00	D
503 28 18-09	Q	503 92 30-02	J N	537 06 07-01	L	738 22 02-25	E, H, Q EPA
503 28 18-10	Q	503 92 31-01	J	537 06 59-01	M	740 42 01-00	P
503 28 18-15	Q	503 92 33-02	K	537 06 93-01	B		
503 28 18-16	Q	503 92 46-01	G	537 07 12-01	H		
503 28 18-17	G, N	503 92 53-72	H, Q	537 08 90-01	A		
503 28 18-18	G, N	503 92 61-01	Q	537 09 18-01	B		
503 28 18-19	G, N	503 92 61-02	K N	537 09 31-01	M		
503 28 18-20	G, N	503 92 79-02	H	537 09 61-01	D		
503 28 90-14	D	503 92 85-01	G	537 10 11-01	B		
503 28 90-29	D	503 92 87-01	G	537 10 22-01	F		
503 40 06-02	J N	503 92 88-01	G	537 10 34-01	B		
503 40 59-01	C	503 92 89-01	M	537 10 36-01	L		
503 43 65-01	H	503 92 90-01	H	537 10 48-01	A EPA, CE		
503 44 32-01	J	503 93 48-71	B	537 10 55-02	B EPA, CE		
503 46 59-01	A	503 93 54-01	H	537 10 79-01	A		
503 51 81-01	N	503 93 87-02	G	537 10 80-01	A		

Set of gaskets
Dichtungssatz
Jeu de joints
Juego de juntas
Packinnssatz

N = New part
Neues teil
Nouvelle piece
Nueva pieza
Nu detalii