

CS 2171 CS 2163 CS 2171 EPA CS 2163 EPA

Spare parts	Replaces	
Ersatzteile	Ersetzt	
Pièces détachées	Remplace	
Reserve onderdelen	Vervangt	
Repuestos	Reemplaza	
Reservdelar	Ersätter	106 24 45-66

A

*compl 503 71 93-04

503 20 07-12 (x4)



503 98 74-01*

503 75 11-03

503 20 25-12

503 21 28-10

501 87 53-03



503 70 99-01



503 79 27-01

503 77 52-01

503 75 22-02

503 43 65-01

503 83 81-02

537 00 87-02

**537 07 20-71

503 70 12-03

503 21 28-10

503 89 70-01

503 76 29-02

Jonsered
TURBO

**compl 537 07 20-01 2171

503 22 00-01 (x2)

503 21 28-10

503 92 27-01
2171 WRAP

**501 51 72-01

740 48 07-02

503 23 00-63

537 07 94-01

503 21 28-10** (x2)

**537 04 41-02

537 01 74-01

503 99 83-01

537 07 95-01

503 23 00-66

537 01 68-01

503 71 97-01 2171

B

*compl 503 73 51-01 2163

*503 70 12-03

Jonsered
TURBO

*

503 89 70-01*

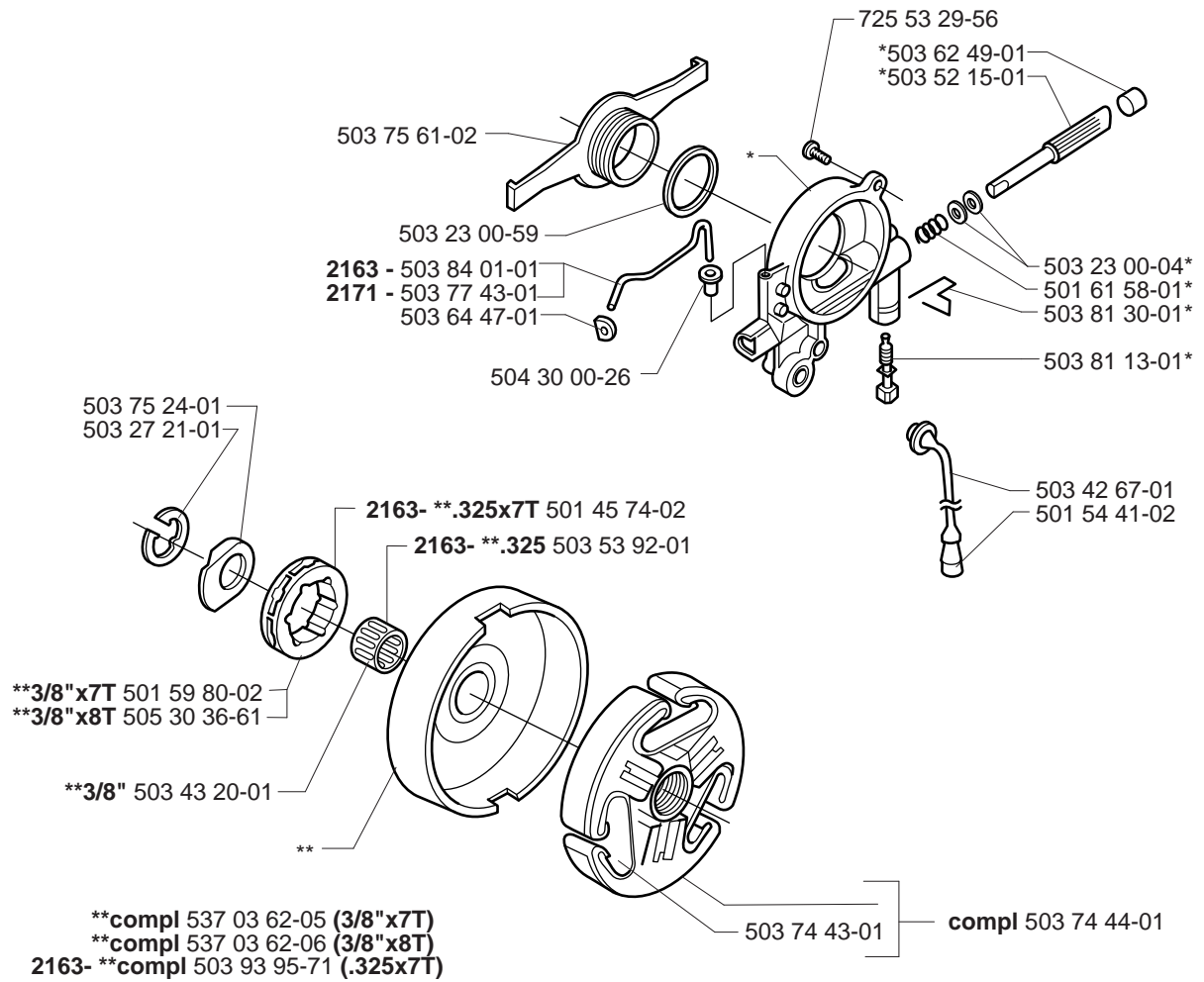
503 21 28-10*

503 76 29-02*

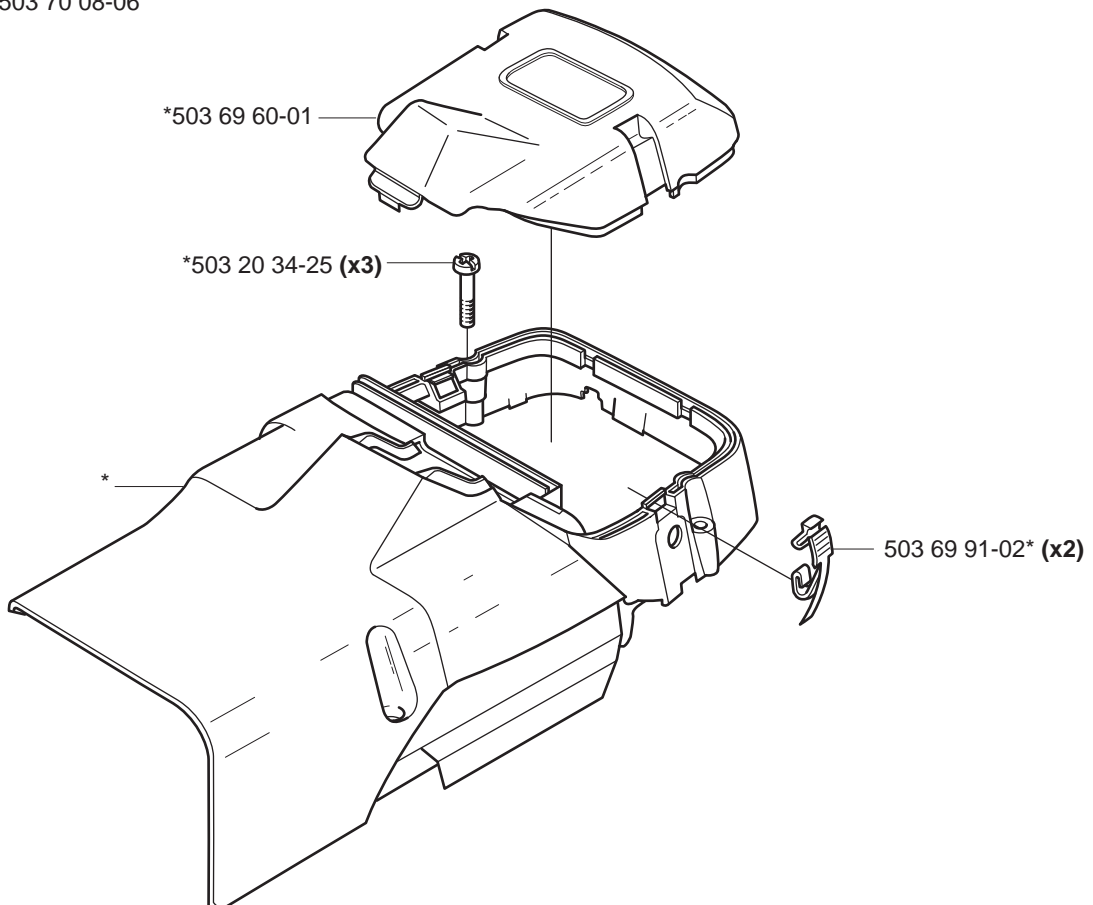
*501 51 72-01

C

*compl 503 52 13-03

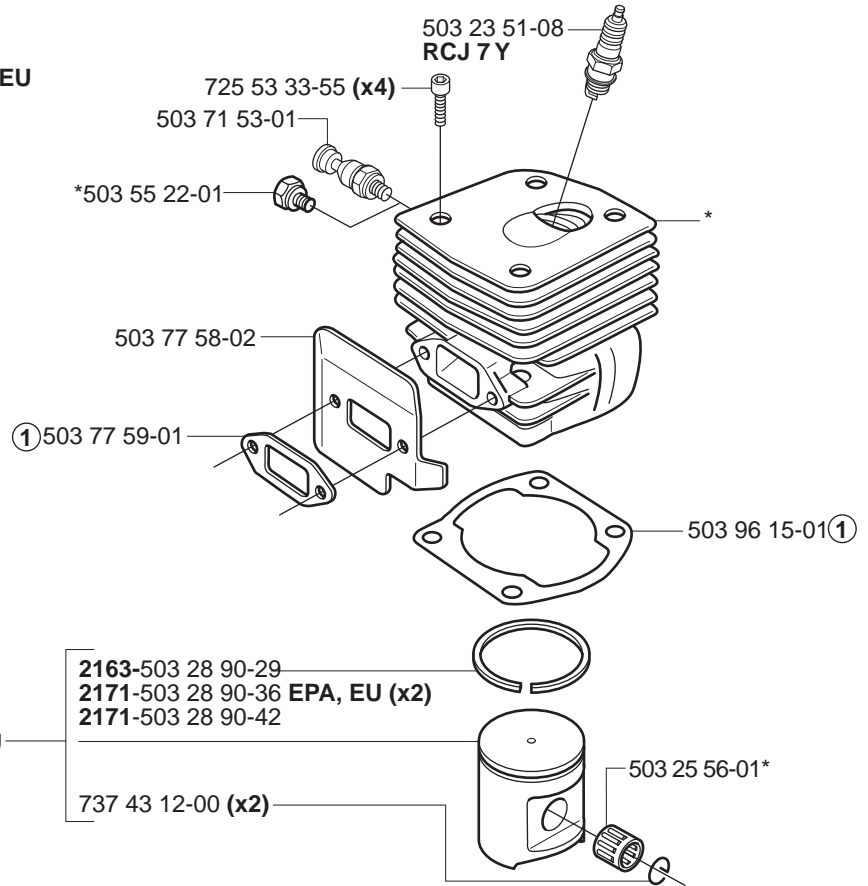
**D**

*compl 503 70 08-06



E

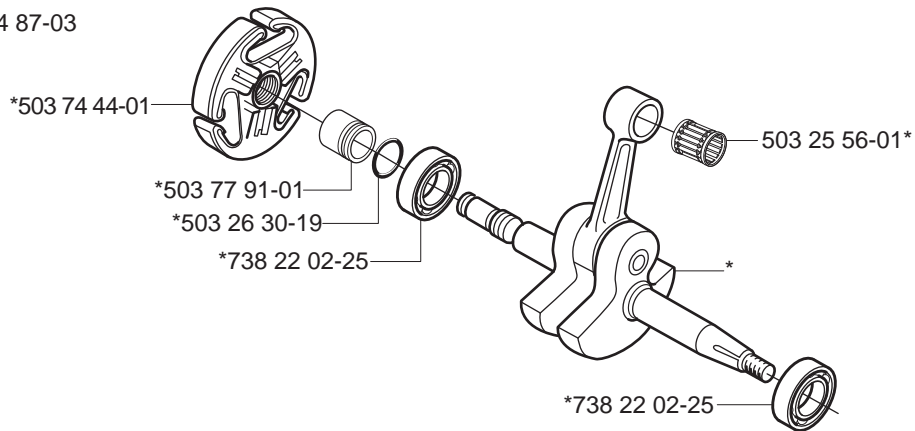
*compl 503 62 64-73 2171
 *compl 503 96 52-71 2163
 *compl 503 93 93-72 2171 EPA, EU



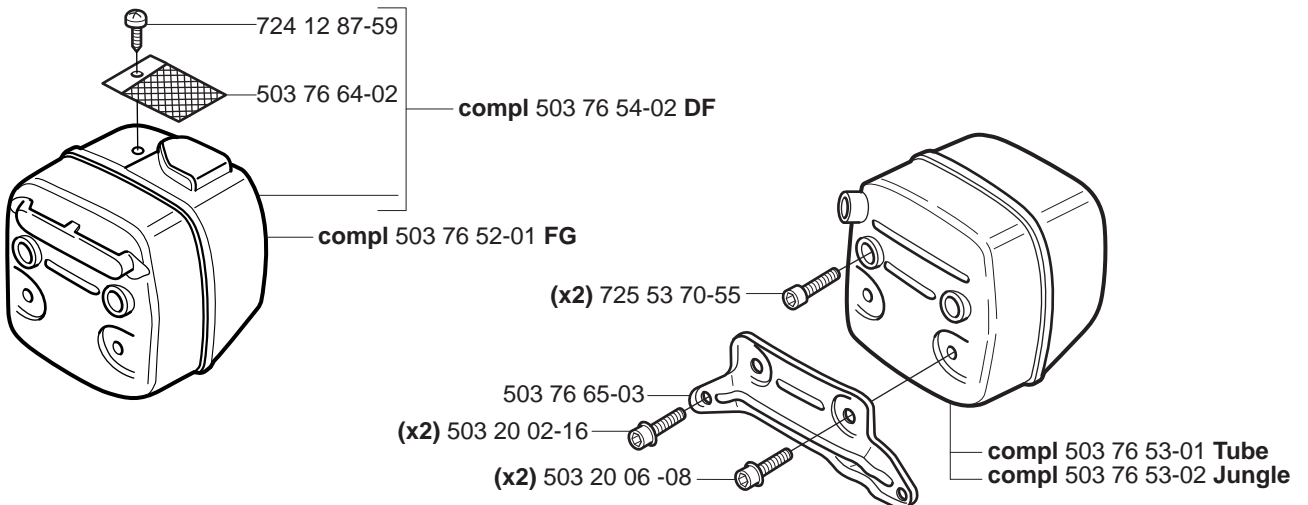
*compl 503 69 12-71 - 2171
 *compl 503 69 14-71 - 2163
 *compl 503 93 92-71 - 2171 EPA, EU

F

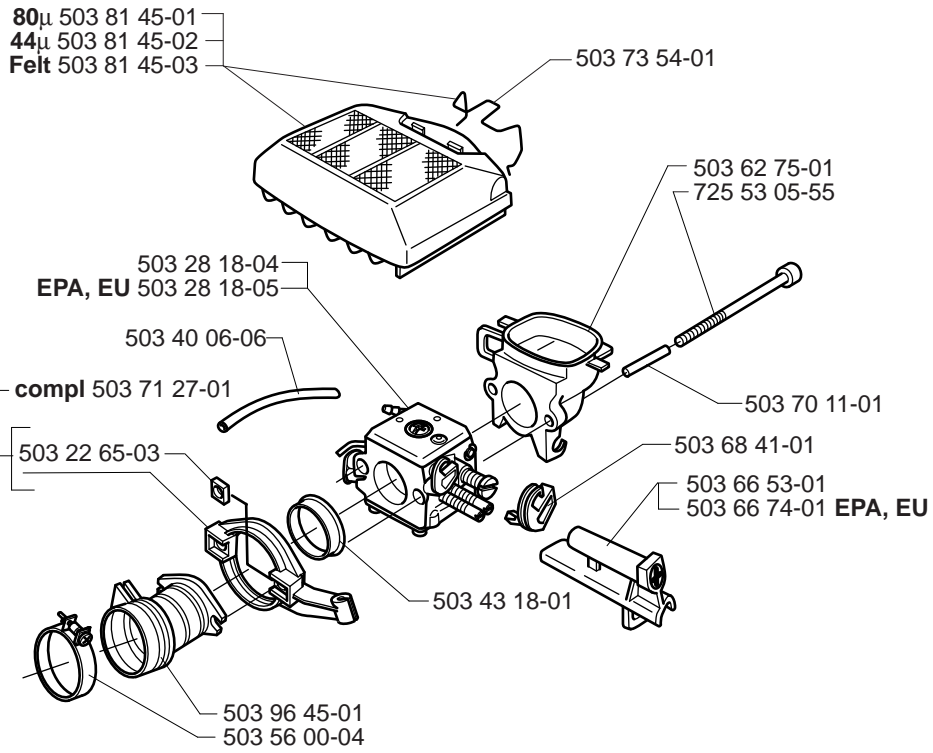
*compl 503 74 87-03



G

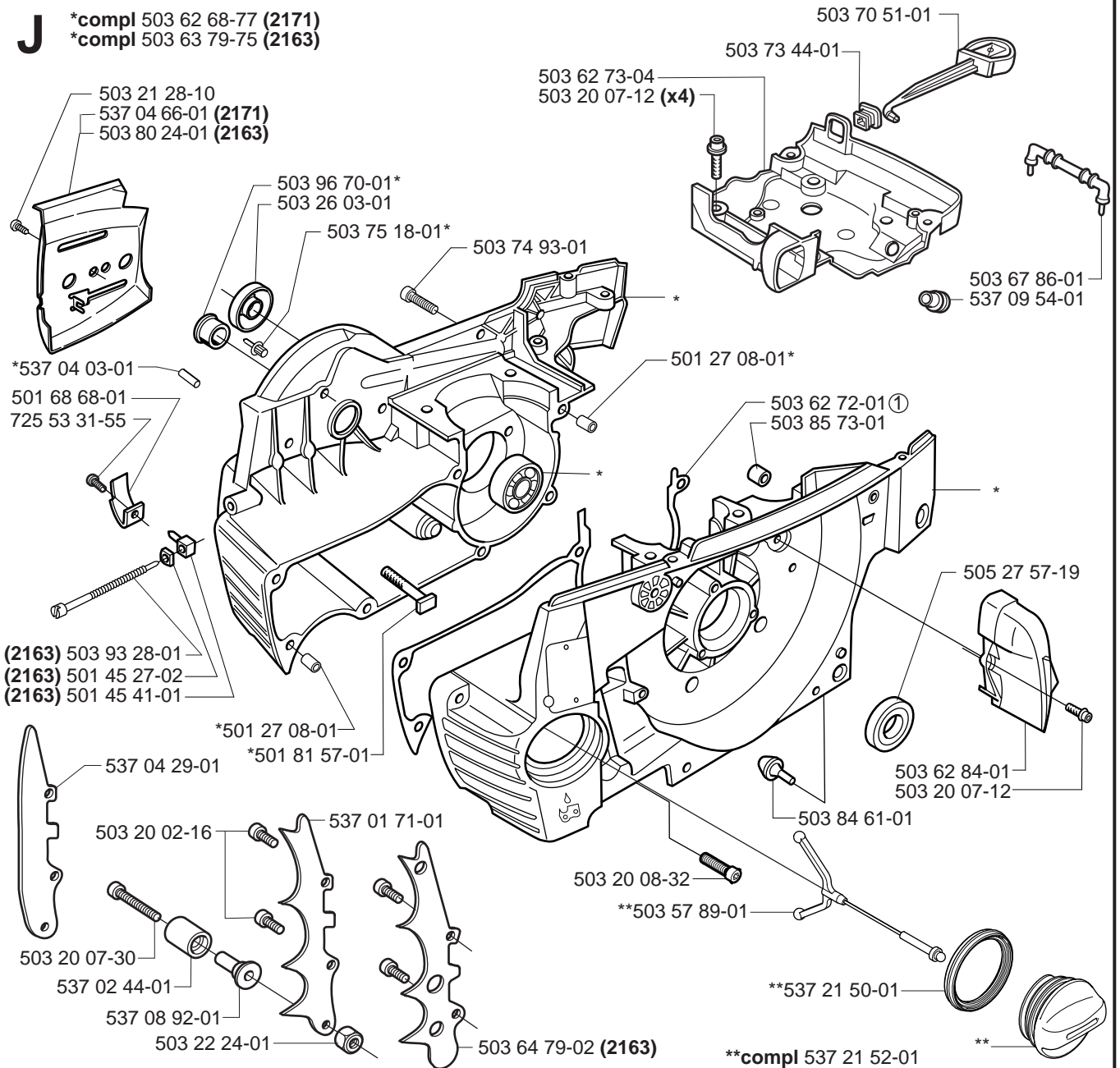


H

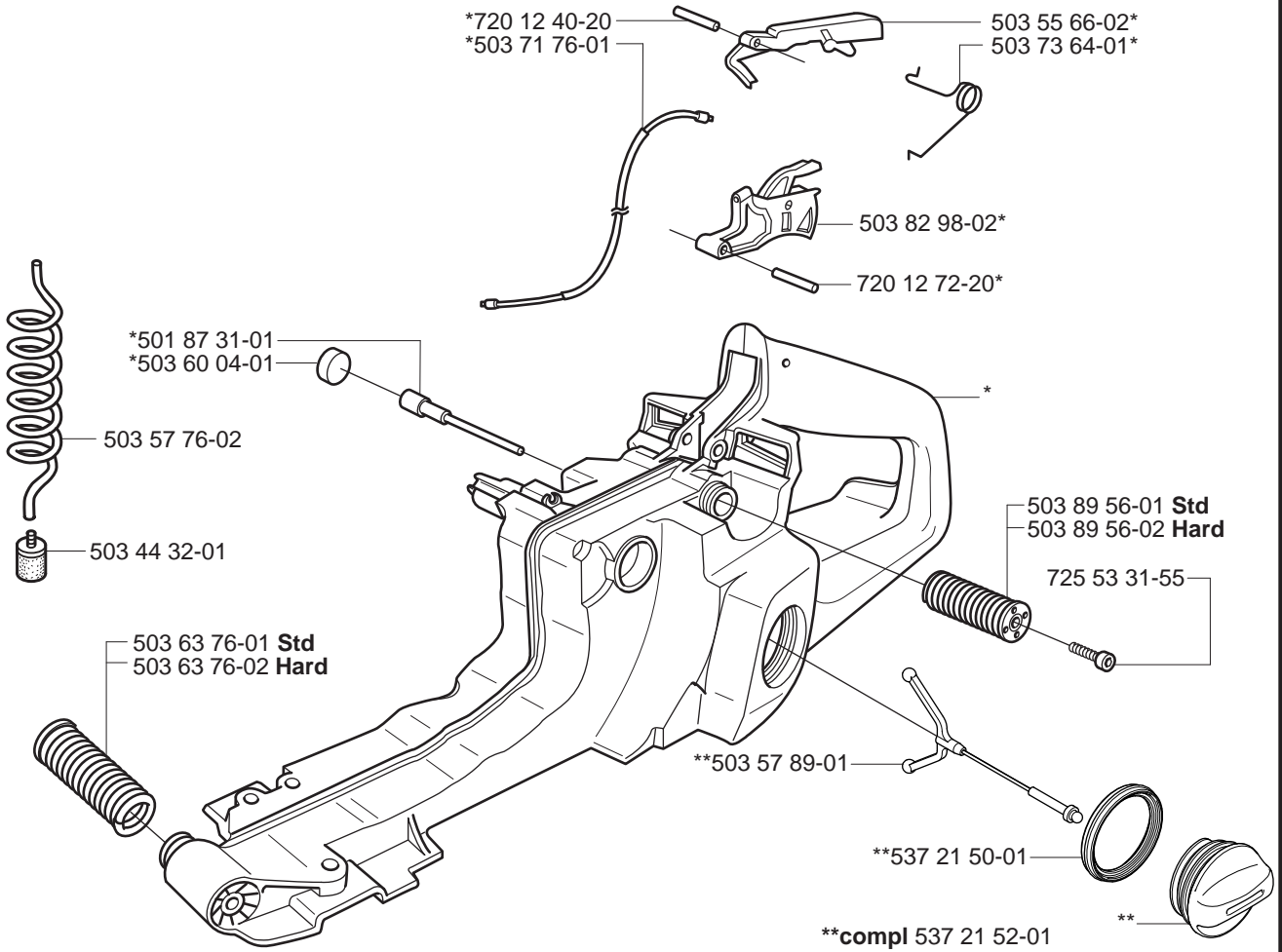


J

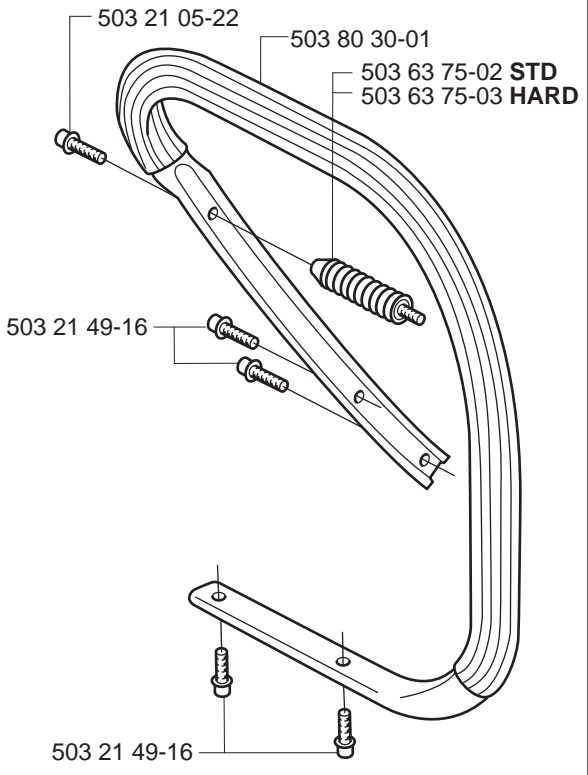
*compl 503 62 68-77 (2171)
*compl 503 63 79-75 (2163)



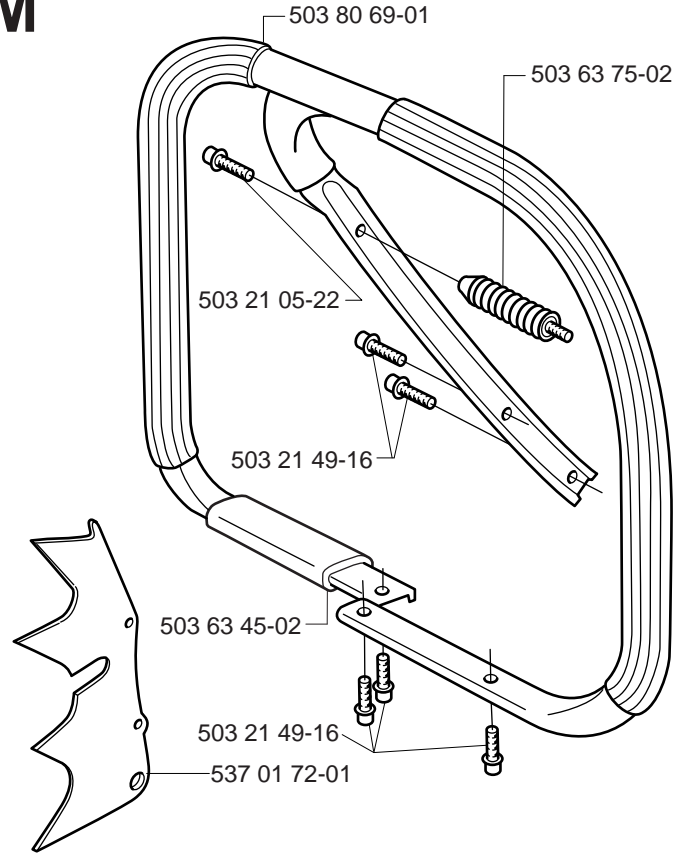
K *compl 503 71 91-71



L



M



N

*compl 537 08 72-01 (W)

(W) *537 07 13-01

(W) *537 06 04-01

537 07 18-02 (W)

503 20 26-16 (W)

503 23 01-01

503 22 10-11

503 55 49-01* (W)

537 07 14-01* (W)

501 67 35-01

503 23 00-42

537 01 55-01

501 81 99-01

compl 537 05 16-06 (W)

*compl 537 01 59-01 (W)

(W) *503 64 02-01

501 80 24-03 (W)

503 20 26-16 (W)

503 23 01-01

503 22 10-11

501 43 00-01* (W)

* (W)

501 67 35-01

503 23 00-42

537 01 55-01

501 81 99-01

compl 537 05 16-04 (W)

(W) 503 21 38-01

501 48 54-02

503 71 82-01

503 70 59-01 (W)

503 62 61-01

503 89 76-01

503 21 28-10

*compl 503 80 30-02 (W)

*503 21 05-22

503 23 01-01

503 22 10-11

* 503 68 45-02* (W)

537 16 22-04

537 27 74-01 COT

503 20 07-20 (x2)

501 67 35-01

503 23 00-42

537 01 55-01

501 81 99-01

compl 537 05 16-05

503 21 49-16*

P

*compl 503 69 28-71

503 62 83-01

503 21 49-16*

503 23 43-02*

501 20 15-02*

*504 65 42-03

***501 63 06-01

537 08 67-01* **

*503 85 96-01

*503 78 72-01

***compl 503 69 29-02

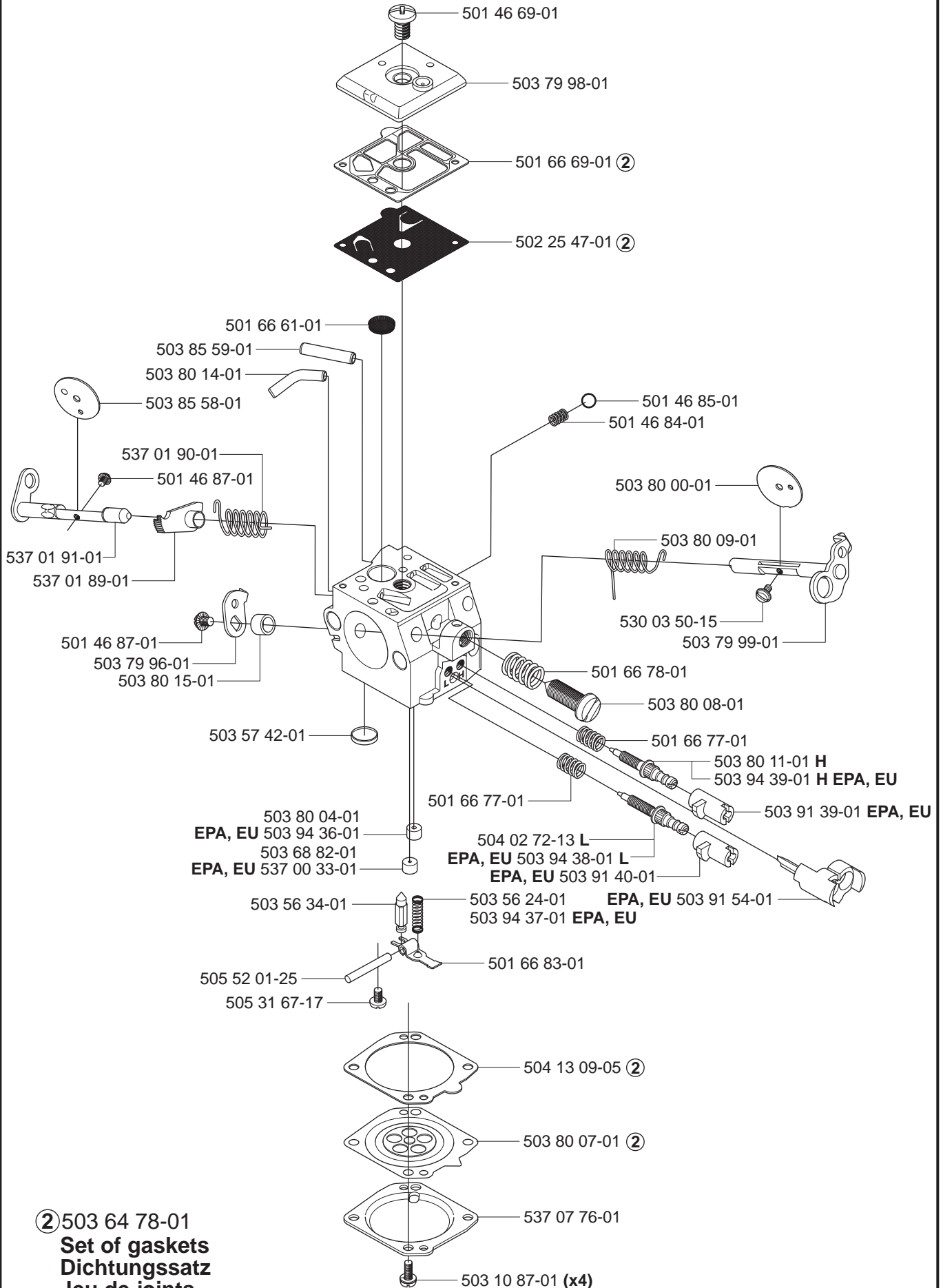
**

503 20 34-19* (x4)



compl 503 28 18-04
 compl 503 28 18-05 EPA, EU

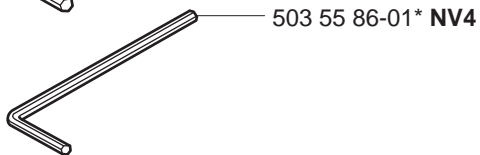
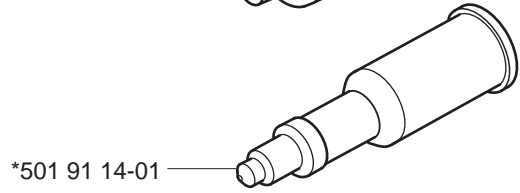
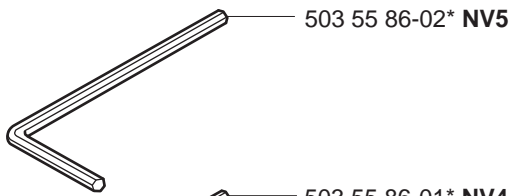
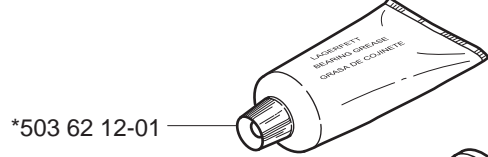
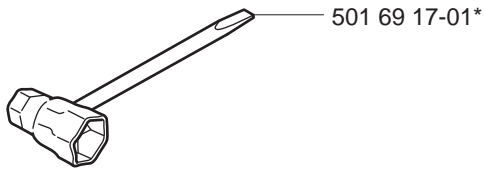
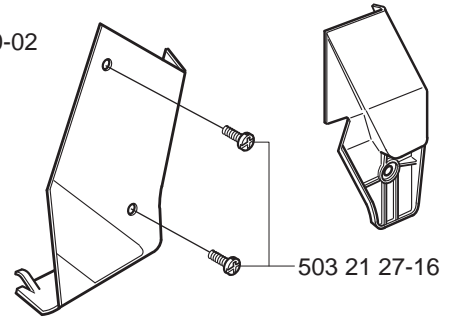
Walbro HD-6B Walbro HD-12B EPA, EU



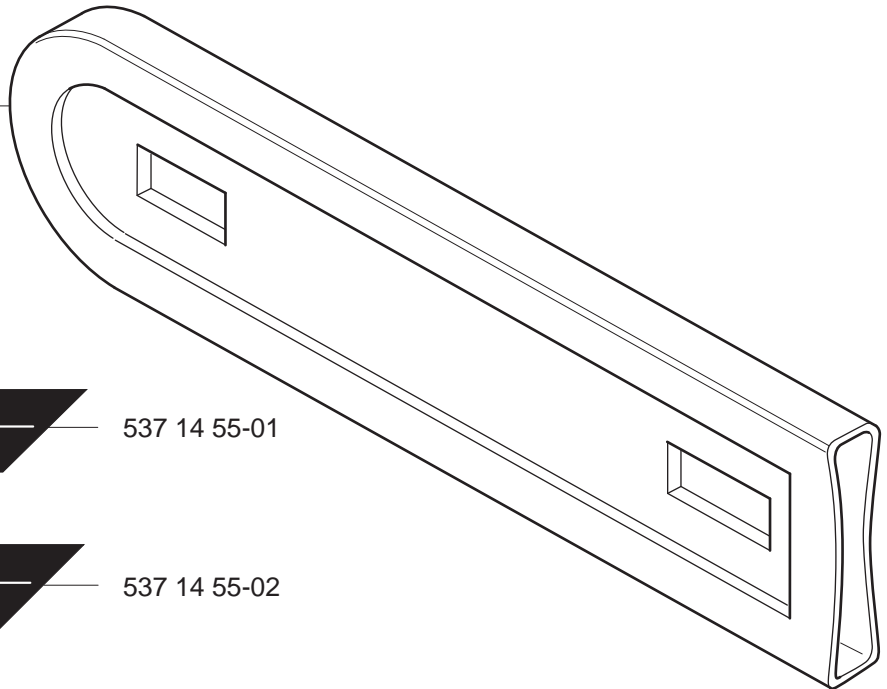
② 503 64 78-01
Set of gaskets
Dichtungssatz
Jeu de joints
Juego de juntas
Packningssats

R Accessories
 Zubehöre
 Accessories
 Accesorios
 Tillbehör
 *compl 503 55 85-01

WINTER
 compl 503 96 90-02



501 83 44-02 13"-16"
 501 83 44-05 18"-22"
 501 83 45-02 24"-28"



PART NUMBER	SQUARE	NOTE	PART NUMBER	SQUARE	NOTE	PART NUMBER	SQUARE	NOTE	PART NUMBER	SQUARE	NOTE
501 20 15-02	P		503 28 18-05	H,Q	EPA, EU	503 71 93-04	A		503 94 37-01	Q	EPA, EU
501 27 08-01	J		503 28 90-29	E		503 71 97-01	A		503 94 38-01	Q	EPA, EU
501 43 00-01	N		503 28 90-36	E	EPA, EU	503 73 44-01	J		503 94 39-01	Q	EPA, EU
501 45 27-02	J		503 28 90-42	E		503 73 51-01	B		503 96 15-01	E	1
501 45 41-01	J		503 40 06-06	H		503 73 54-01	H		503 96 45-01	H	
501 45 74-02	C		503 42 67-01	C		503 73 64-01	K		503 96 52-71	E	
501 46 69-01	Q		503 43 18-01	H		503 74 43-01	C		503 96 70-01	J	
501 46 84-01	Q		503 43 20-01	C		503 74 44-01	C,F		503 96 90-02	R	
501 46 85-01	Q		503 43 65-01	A		503 74 44-01	F		503 98 74-01	A	
501 46 87-01	Q		503 44 32-01	K		503 74 87-03	F		503 99 83-01	A	
501 48 54-02	N		503 52 13-03	C		503 74 93-01	J		504 02 72-13	Q	
501 51 72-01	A,B		503 52 15-01	C		503 75 11-03	A		504 13 09-05	Q	2
501 54 41-02	C		503 53 92-01	C		503 75 18-01	J		504 30 00-26	C	
501 59 80-02	C		503 55 22-01	E		503 75 22-02	A		504 65 42-03	P	
501 61 58-01	C		503 55 49-01	N		503 75 24-01	C		505 27 57-19	J	
501 63 06-01	P		503 55 66-02	K		503 75 61-02	C		505 30 36-61	C	
501 66 61-01	Q		503 55 85-01	R		503 76 29-02	A,B		505 31 67-17	Q	
501 66 69-01	Q	2	503 55 86-02	R		503 76 52-01	G		505 52 01-25	Q	
501 66 77-01	Q		503 56 00-04	H		503 76 53-02	G		530 03 50-15	Q	
501 66 78-01	Q		503 56 24-01	Q		503 76 54-02	H		537 00 33-01	Q	EPA, EU
501 66 83-01	Q		503 56 34-01	Q		503 76 64-02	G		537 00 87-02	A	
501 67 35-01	N		503 57 42-01	Q		503 76 65-03	G		537 01 55-01	N	
501 68 68-01	J		503 57 76-02	K		503 77 43-01	C		537 01 59-01	N	
501 69 17-01	R		503 57 89-01	J,K		503 77 52-01	A		537 01 68-01	A	
501 80 24-03	N		503 60 04-01	K		503 77 58-02	E		537 01 71-01	J	
501 81 57-01	J		503 62 12-01	R		503 77 59-01	E	1	537 01 72-01	M	
501 81 99-01	N		503 62 49-01	C		503 77 91-01	F		537 01 74-01	A	
501 83 44-02	R		503 62 61-01	N		503 78 72-01	P		537 01 89-01	Q	
501 83 44-05	R		503 62 64-73	E		503 79 27-01	A		537 01 90-01	Q	
501 83 45-02	R		503 62 68-77	J		503 79 96-01	Q		537 01 91-01	Q	
501 87 31-01	K		503 62 72-01	J	1	503 79 98-01	Q		537 02 44-01	J	
501 87 53-03	A		503 62 73-04	J		503 79 99-01	Q		537 03 62-05	C	
501 91 14-01	R		503 62 75-01	H		503 80 00-01	Q		537 03 62-06	C	
502 25 47-01	Q	2	503 62 83-01	P		503 80 04-01	Q		537 04 03-01	J	
503 20 02-16	G,J		503 62 84-01	J		503 80 07-01	Q	2	537 04 29-01	J	
503 20 02-16	J		503 63 45-02	M		503 80 08-01	Q		537 04 41-02	A	
503 20 06-08	G		503 63 75-02	L,M		503 80 09-01	Q		537 04 66-01	J	
503 20 07-12	A,J		503 63 75-03	L		503 80 11-01	Q		537 05 16-04	N	
503 20 07-12	J		503 63 76-01	K		503 80 14-01	Q		537 05 16-05	N	
503 20 07-20	N		503 63 76-02	K		503 80 15-01	Q		537 05 16-06	N	
503 20 07-30	J		503 63 79-75	J		503 80 24-01	J		537 06 04-01	N	
503 20 08-32	J		503 64 02-01	N		503 80 30-01	L		537 07 13-01	N	
503 20 25-12	A		503 64 47-01	C		503 80 30-02	N		537 07 14-01	N	
503 20 26-16	N		503 64 72-01		1 compl	503 80 69-01	M		537 07 18-02	N	
503 20 34-19	P		503 64 78-01	Q	2 compl	503 81 13-01	C		537 07 20-01	A	
503 20 34-25	D		503 64 79-02	J		503 81 30-01	C		537 07 20-71	A	
503 21 05-22	L,M,N		503 66 53-01	H		503 81 45-01	H		537 07 76-01	Q	
503 21 27-16	R		503 66 74-01	H	EPA, EU	503 81 45-02	H		537 07 94-01	A	
503 21 28-10	A,B,J,N		503 67 86-01	J		503 81 45-03	H		537 07 95-01	A	
503 21 38-01	N		503 68 41-01	H		503 82 98-02	K		537 08 67-01	P	
503 21 49-16	L,M,N,P		503 68 45-02	N		503 83 81-02	A		537 08 72-01	N	
503 22 00-01	A		503 68 82-01	Q		503 84 01-01	C		537 08 92-01	J	
503 22 10-11	N		503 69 12-71	E		503 84 61-01	J		537 09 54-01	J	
503 22 24-01	J		503 69 14-71	E		503 85 58-01	Q		537 14 55-01	R	
503 22 65-03	H		503 69 28-71	P		503 85 59-01	Q		537 14 55-02	R	
503 23 00-04	C		503 69 29-02	P		503 85 73-01	J		537 14 55-04	R	
503 23 00-42	N		503 69 60-01	D		503 85 96-01	P		537 14 55-05	R	
503 23 00-59	C		503 69 91-02	D		503 89 56-01	K		537 16 22-04	N	
503 23 00-63	A		503 70 08-06	D		503 89 56-02	K		537 21 50-01	J,K	
503 23 00-66	A		503 70 11-01	H		503 89 70-01	A,B		537 24 43-01	R	
503 23 01-01	N		503 70 12-03	A,B		503 89 76-01	N		537 27 74-01	N	
503 23 43-02	P		503 70 12-03	B		503 91 39-01	Q	EPA, EU	720 12 40-20	K	
503 23 51-08	E		503 70 51-01	J		503 91 40-01	Q	EPA, EU	720 12 72-20	K	
503 23 85-65	N		503 70 59-01	N		503 91 54-01	Q	EPA, EU	724 12 87-59	G	
503 25 56-01	E,F		503 70 99-01	A		503 92 27-01	A		725 53 05-55	H	
503 25 56-01	F		503 71 27-01	H		503 93 28-01	J		725 53 29-56	C	
503 26 03-01	J		503 71 53-01	E		503 93 92-71	E	EPA, EU	725 53 31-55	J	
503 26 30-19	F		503 71 76-01	K		503 93 93-72	E	EPA, EU	725 53 31-55	K	
503 27 21-01	C		503 71 82-01	N		503 93 95-71	C		725 53 33-55	E	
503 28 18-04	H,Q		503 71 91-71	K		503 94 36-01	Q	EPA, EU	725 53 70-55	G	

1 = 503 64 72-01
2 = 503 64 78-01

Set of gaskets, Dichtungssats,
Jeu de joints, Juego de juntas,
Packningssats

EPA = Environmental Protection Agency (for USA only)
EU = European Union

PART NUMBER	SQUARE	NOTE	PART NUMBER	SQUARE	NOTE	PART NUMBER	SQUARE	NOTE	PART NUMBER	SQUARE	NOTE
737 43 12-00	E										
738 22 02-25	F										
740 48 07-02	A										

1 = 503 64 72-01
2 = 503 64 78-01

Set of gaskets, Dichtungssatz,
Jeu de joints, Juego de juntas,
Packningssatz

EPA = Environmental Protection Agency (for USA only)
EU = European Union