

LM2153CMDA

Spare parts

Ersatzteile

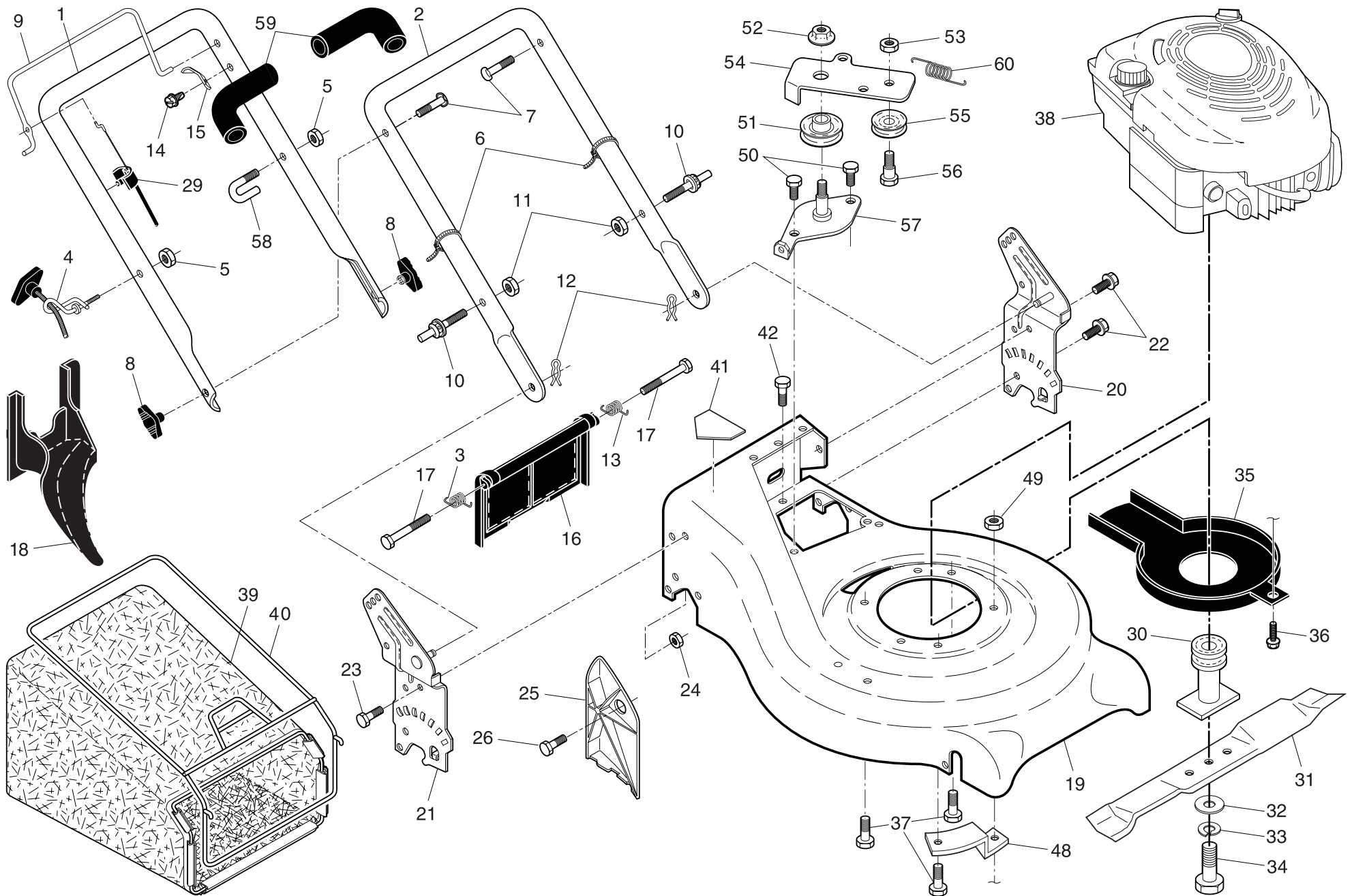
Pièces détachées

Reserve onderdelen

Repuestos

Reservdelar

ROTARY LAWN MOWER - MODEL NUMBER LM2153CMDA (95413022502) PRODUCT NUMBER 954 13 02-25

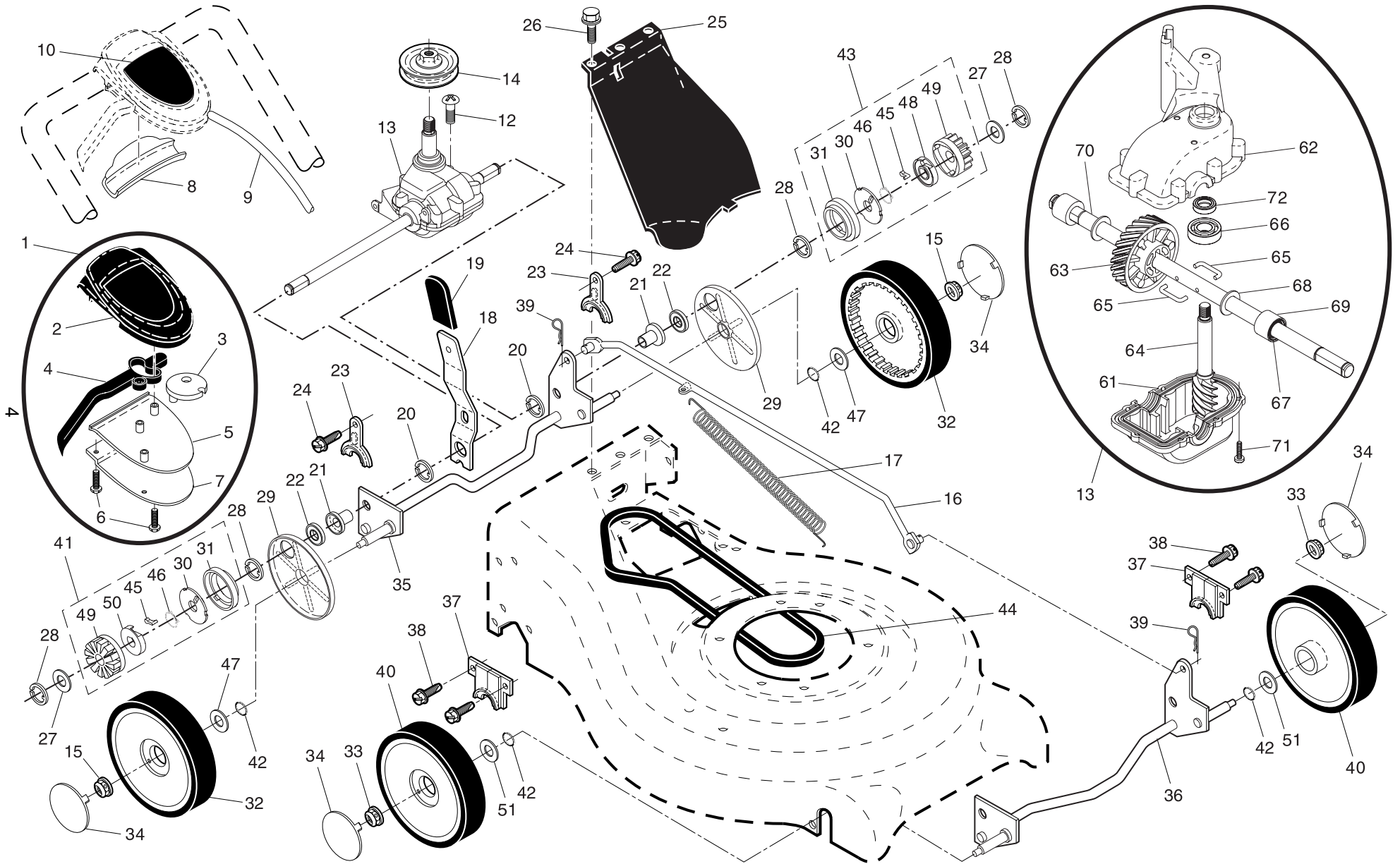


ROTARY LAWN MOWER - MODEL NUMBER **LM2153CMDA** (95413022502) PRODUCT NUMBER 954 13 02-25

| KEY NO. | PART NO. | DESCRIPTION | KEY NO. | PART NO. | DESCRIPTION |
|---------|--------------|--|---------|---------------------|--|
| 1 | 532 18 97-46 | Handle, Upper | 32 | 532 85 10-74 | Washer |
| 2 | 532 19 60-05 | Handle, Lower | 33 | 532 85 02-63 | Washer, Lock |
| 3 | 532 18 60-53 | Spring, Rear Door, RH | 34 | 532 85 10-84 | Bolt, Hex Head |
| 4 | 532 19 47-88 | Guide, Rope, Side | 35 | 532 18 87-86 | Debris Shield |
| 5 | 532 13 20-04 | Nut, Hex, with Lockwasher Insert 1/4-20 | 36 | 532 19 23-25 | Bolt |
| 6 | 532 06 64-26 | Wire, Tie | 37 | 532 15 04-06 | Bolt, Engine |
| 7 | 532 19 15-74 | Bolt, Handle 5/16-18 x 2-5/8 | 38 | - - - | Engine, Briggs & Stratton, Model Number 12H802 (Order parts from Engine manufacturer) |
| 8 | 532 19 19-38 | Knob, Handle | 39 | 532 19 51-72 | Grassbag |
| 9 | 532 19 61-82 | Control Bar | 40 | 532 19 46-44 | Frame, Grassbag |
| 10 | 532 18 88-21 | Bolt, Carriage | 41 | 532 18 21-66 | Danger Decal |
| 11 | 873 93 05-00 | Nut, Hex, with Lockwasher Insert 5/16-18 UNC | 42 | 532 05 45-83 | Screw |
| 12 | 532 05 17-93 | Cotter, Hairpin | 48 | 532 19 09-39 | Mounting Bracket, Debris Shield |
| 13 | 532 18 60-52 | Spring, Rear Door, LH | 50 | 532 05 78-08 | Screw |
| 14 | 532 75 06-34 | Screw | 51 | 532 19 37-91 | Pulley |
| 15 | 532 12 51-62 | Bracket, Upstop | 52 | 532 14 52-12 | Nut, Hex, Flanged |
| 16 | 532 19 05-74 | Rear Door Assembly | 53 | 532 15 55-52 | Locknut |
| 17 | 532 18 41-93 | Bolt, Rear Door | 54 | 532 19 68-12 | Idler Arm |
| 18 | 532 19 81-70 | Plug, Mulcher | 55 | 532 16 60-43 | Idler Pulley |
| 19 | 532 19 58-30 | Kit, Housing | 56 | 532 16 08-29 | Shoulder Bolt |
| 20 | 532 19 40-29 | Handle Bracket Assembly, LH | 57 | 532 19 98-32 | Bracket Assembly |
| 21 | 532 19 40-31 | Handle Bracket Assembly, RH | 58 | 532 18 20-03 | Clip, Packaging |
| 22 | 532 15 00-78 | Screw, Hex Washer Head | 59 | 532 18 27-48 | Grip, Foam |
| 23 | 532 16 31-83 | Bolt, Hex Head 5/16-18 x 5/8 | 60 | 532 18 22-26 | Spring, Return |
| 24 | 873 80 05-00 | Nut, Hex, with Lockwasher Insert 5/16-18 | -- | 532 18 21-34 | Warning Decal (not shown) |
| 25 | 532 16 13-33 | Baffle, Side | -- | 532 19 98-40 | Operator's Manual, European |
| 26 | 532 16 34-09 | Screw #12 x 5/8 | -- | 532 19 98-41 | Operator's Manual, Scandinavian |
| 29 | 532 19 12-21 | Cable, Engine Zone Control | -- | 532 19 98-42 | Operator's Manual, East Bloc |
| 30 | 532 18 91-79 | Blade Adapter / Pulley | -- | 532 19 98-43 | Operator's Manual, Baltic |
| 31 | 532 17 50-52 | Blade, 21" | | | |

NOTE: All component dimensions given in U.S. inches. 1 inch = 25.4 mm. **IMPORTANT:** Use only Original Equipment Manufacturer (O.E.M.) replacement parts. Failure to do so could be hazardous, damage your lawn mower and void your warranty.

ROTARY LAWN MOWER - MODEL NUMBER LM2153CMDA (95413022502) PRODUCT NUMBER 954 13 02-25



ROTARY LAWN MOWER - MODEL NUMBER **LM2153CMDA** (95413022502) PRODUCT NUMBER 954 13 02-25

| KEY NO. | PART NO. | DESCRIPTION | KEY NO. | PART NO. | DESCRIPTION |
|---------|--------------|---|---------|--------------|------------------------------------|
| 1 | 532 19 67-82 | Drive Control Assembly | 33 | 532 08 39-23 | Nut, Hex, Flangelock 3/8-16 |
| 2 | 532 19 57-45 | Cover, Upper | 34 | 532 18 06-26 | Hubcap, Mag, Platinum |
| 3 | 532 18 73-53 | Pulley | 35 | 532 19 60-16 | Shaft Assembly, Rear |
| 4 | 532 18 82-81 | Lever, Drive Control | 36 | 532 19 60-15 | Shaft Assembly, Front |
| 5 | 532 19 57-44 | Cover, Lower | 37 | 532 16 14-63 | Retainer, Front Shaft |
| 6 | 532 18 16-98 | Screw | 38 | 532 16 34-09 | Screw #12 x 5/8 |
| 7 | 532 18 70-97 | Mounting Bracket, Drive Control | 39 | 532 70 02-79 | Clip, Retainer |
| 8 | 532 18 49-87 | Cap, Bottom | 40 | 532 14 35-93 | Wheel & Tire Assembly, Front 8 x 2 |
| 9 | 532 19 67-84 | Cable, Drive Control | 41 | 532 18 83-30 | Pinion Assembly, RH |
| 10 | 532 19 34-66 | Decal, Drive Control Operation | 42 | 532 18 81-52 | O-Ring |
| 12 | 532 18 76-53 | Screw | 43 | 532 18 83-31 | Pinion Assembly, LH |
| 13 | 532 18 86-45 | Gearcase Assembly, Complete | 44 | 532 18 22-12 | V-Belt |
| 14 | 532 19 41-28 | Pulley Assembly | 45 | 532 17 50-98 | Pawl |
| 15 | 532 08 39-23 | Nut, Flangelock | 46 | 532 18 82-91 | Spring, Torsion |
| 16 | 532 16 15-84 | Rod, Connecting | 47 | 532 06 77-25 | Washer |
| 17 | 532 16 16-02 | Spring, Extension | 48 | 532 17 51-05 | Retainer, Drive, LH |
| 18 | 532 19 61-62 | Spring, Selector | 49 | 532 17 51-03 | Pinion, Gear |
| 19 | 532 19 00-69 | Knob, Selector Spring | 50 | 532 17 51-02 | Retainer, Drive, RH |
| 20 | 812 00 00-22 | E-Ring | 51 | 532 08 83-48 | Washer, Flat |
| 21 | 532 16 33-65 | Bearing, Support | 61 | 532 18 75-30 | Case, Lower |
| 22 | 532 16 99-11 | Bearing, Ball | 62 | 532 18 75-31 | Case, Upper |
| 23 | 532 16 45-55 | Retainer, Drive Assembly | 63 | 532 18 75-32 | Gear, 24 Teeth |
| 24 | 532 05 78-08 | Screw, Tapping, Hex Head 1/4-20 x .75 | 64 | 532 18 75-33 | Shaft, Input |
| 25 | 532 19 55-46 | Cover Drive | 65 | 532 18 35-05 | Wire, Formed |
| 26 | 532 75 06-34 | Screw, Threaded, Rolled #10-25 x .50 | 66 | 532 18 35-06 | Bearing, Ball |
| 27 | 532 05 21-60 | Washer, Shim (as required) | 67 | 532 18 35-08 | Seal, Output Shaft |
| 28 | 812 00 00-58 | E-Ring 7/16 | 68 | 532 18 35-09 | Washer |
| 29 | 532 18 94-03 | Cover, Dust, Wheel | 69 | 532 18 35-11 | Bushing |
| 30 | 532 17 51-04 | Disc, Drive | 70 | 532 19 12-49 | Shaft, Output |
| 31 | 532 18 41-72 | Seal, Friction | 71 | 532 18 35-13 | Screw |
| 32 | 532 18 07-53 | Wheel & Tire Assembly, Rear, Driven 9 x 2 | 72 | 532 18 35-14 | Seal, Input Shaft |

NOTE: All component dimensions given in U.S. inches. 1 inch = 25.4 mm. **IMPORTANT:** Use only Original Equipment Manufacturer (O.E.M.) replacement parts. Failure to do so could be hazardous, damage your lawn mower and void your warranty.