

LM2153CMDA

Spare parts

Ersatzteile

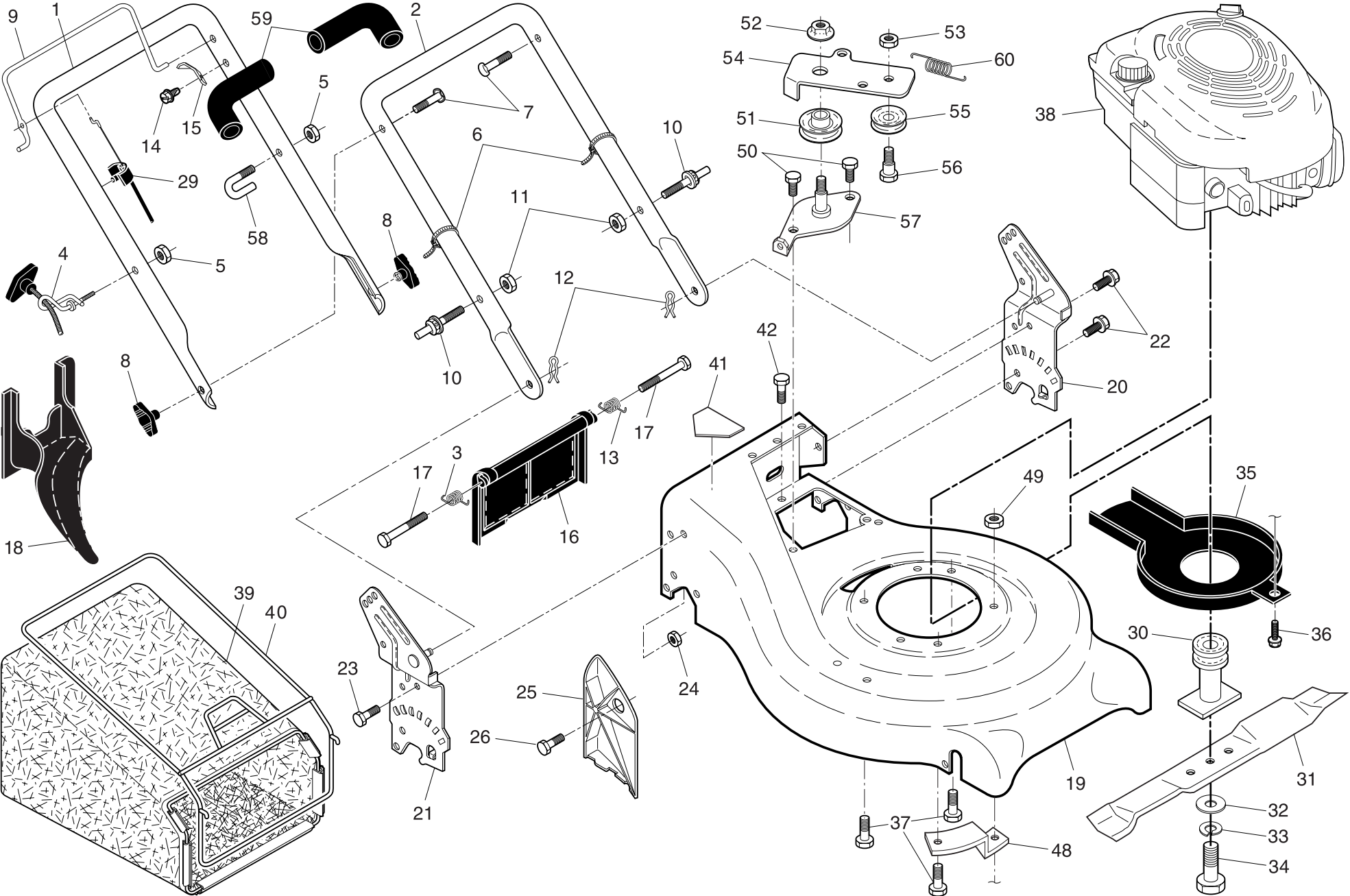
Pièces détachées

Reserve onderdelen

Repuestos

Reservdelar

ROTARY LAWN MOWER - - CUSTOMER MODEL NO. LM2153CMDA (95413022502) PRODUCT NO. 954 13 02-25

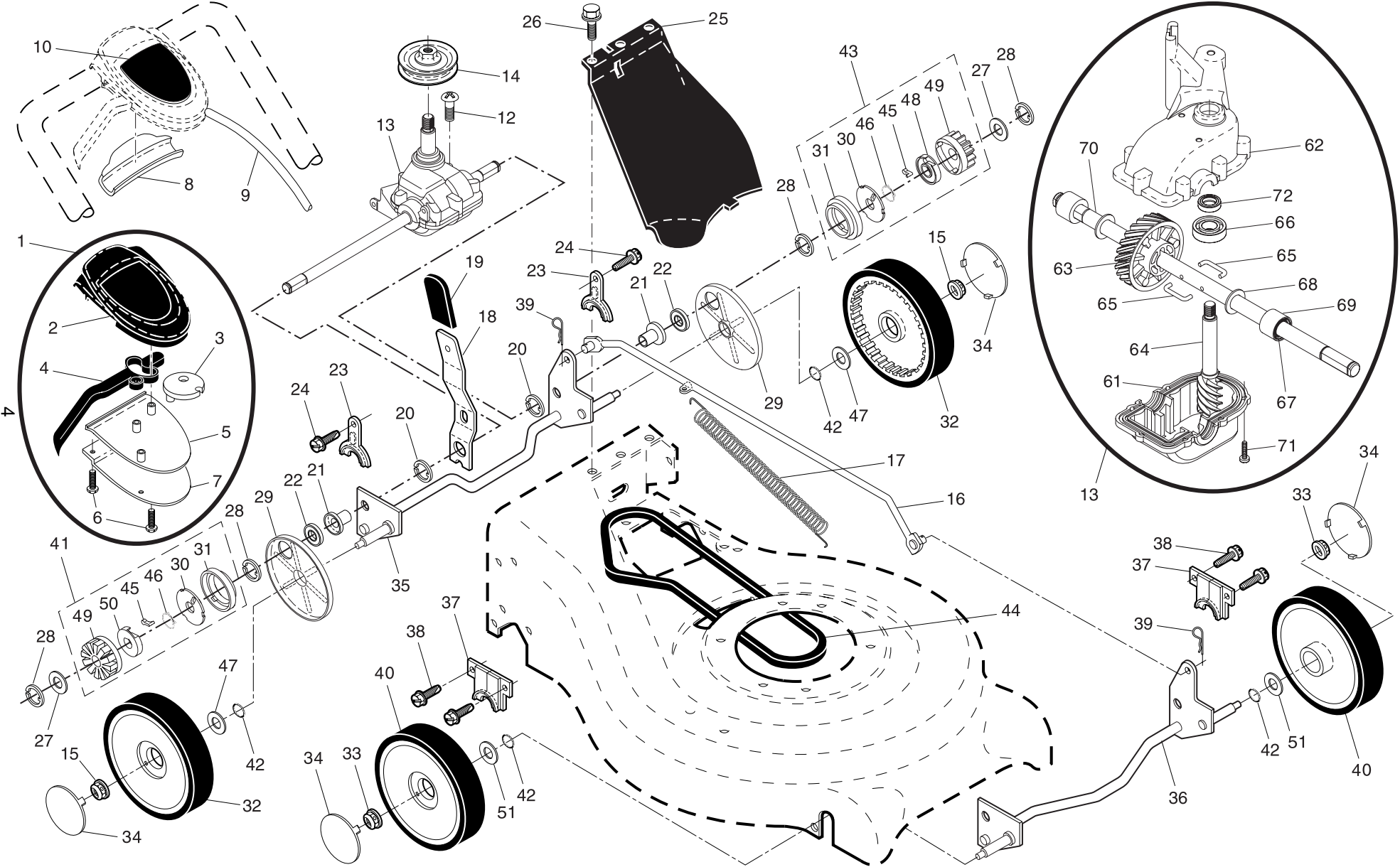


ROTARY LAWN MOWER - - CUSTOMER MODEL NO. **LM2153CMDA** (95413022502) PRODUCT NO. 954 13 02-25

KEY NO.	PART NO.	DESCRIPTION	KEY NO.	PART NO.	DESCRIPTION
1	532 18 97-46	Handle, Upper	32	532 85 10-74	Washer
2	532 19 60-05	Handle, Lower	33	532 85 02-63	Washer, Lock
3	532 18 60-53	Spring, Rear Door, RH	34	532 85 10-84	Bolt, Hex Head
4	532 19 47-88	Guide, Rope, Side	35	532 18 87-86	Debris Shield
5	532 13 20-04	Nut, Hex, with Lockwasher Insert 1/4-20	36	532 19 23-25	Bolt
6	532 06 64-26	Wire, Tie	37	532 15 04-06	Bolt, Engine
7	532 19 15-74	Bolt, Handle 5/16-18 x 2-5/8	38	- - -	Engine, Briggs & Stratton, Model Number 12H802 (Order parts from Engine manufacturer)
8	532 19 19-38	Knob, Handle	39	532 18 51-72	Grassbag
9	532 19 61-82	Control Bar	40	532 19 46-44	Frame, Grassbag
10	532 18 88-21	Bolt, Carriage	41	532 18 21-66	Danger Decal
11	873 93 05-00	Nut, Hex, with Lockwasher Insert 5/16-18 UNC	42	532 05 45-83	Screw
12	532 05 17-93	Cotter, Hairpin	48	532 19 09-39	Mounting Bracket, Debris Shield
13	532 18 60-52	Spring, Rear Door, LH	50	532 05 78-08	Screw
14	532 75 06-34	Screw	51	532 19 37-91	Pulley
15	532 12 51-62	Bracket, Upstop	52	532 14 52-12	Nut, Hex, Flanged
16	532 19 05-74	Rear Door Assembly	53	532 15 55-52	Locknut
17	532 18 41-93	Bolt, Rear Door	54	532 19 68-12	Idler Arm
18	532 19 81-70	Plug, Mulcher	55	532 16 60-43	Idler Pulley
19	532 19 58-30	Kit, Housing	56	532 16 08-29	Shoulder Bolt
20	532 19 40-29	Handle Bracket Assembly, LH	57	532 19 98-32	Bracket Assembly
21	532 19 40-31	Handle Bracket Assembly, RH	58	532 18 20-03	Clip, Packaging
22	532 15 00-78	Screw, Hex Washer Head	59	532 18 27-48	Grip, Foam
23	532 16 31-83	Bolt, Hex Head 5/16-18 x 5/8	60	532 18 22-26	Spring, Return
24	873 80 05-00	Nut, Hex, with Lockwasher Insert 5/16-18	--	532 18 21-34	Warning Decal (not shown)
25	532 16 13-33	Baffle, Side	--	532 19 98-40	Operator's Manual, European
26	532 16 34-09	Screw #12 x 5/8	--	532 19 98-41	Operator's Manual, Scandinavian
29	532 19 12-21	Cable, Engine Zone Control	--	532 19 98-42	Operator's Manual, East Bloc
30	532 18 91-79	Blade Adapter / Pulley	--	532 19 98-43	Operator's Manual, Baltic
31	532 17 50-52	Blade, 21"			

NOTE: All component dimensions given in U.S. inches. 1 inch = 25.4 mm. **IMPORTANT:** Use only Original Equipment Manufacturer (O.E.M.) replacement parts. Failure to do so could be hazardous, damage your lawn mower and void your warranty.

ROTARY LAWN MOWER - - CUSTOMER MODEL NO. LM2153CMDA (95413022502) PRODUCT NO. 954 13 02-25



ROTARY LAWN MOWER - - CUSTOMER MODEL NO. **LM2153CMDA** (95413022502) PRODUCT NO. 954 13 02-25

KEY NO.	PART NO.	DESCRIPTION	KEY NO.	PART NO.	DESCRIPTION
1	532 19 67-82	Drive Control Assembly	33	532 08 39-23	Nut, Hex, Flangelock 3/8-16
2	532 19 57-45	Cover, Upper	34	532 18 06-26	Hubcap, Mag, Platinum
3	532 18 73-53	Pulley	35	532 19 60-16	Shaft Assembly, Rear
4	532 18 82-81	Lever, Drive Control	36	532 19 60-15	Shaft Assembly, Front
5	532 19 57-44	Cover, Lower	37	532 16 14-63	Retainer, Front Shaft
6	532 18 16-98	Screw	38	532 16 34-09	Screw #12 x 5/8
7	532 18 70-97	Mounting Bracket, Drive Control	39	532 70 02-79	Clip, Retainer
8	532 18 49-87	Cap, Bottom	40	532 14 35-93	Wheel & Tire Assembly, Front 8 x 2
9	532 19 67-84	Cable, Drive Control	41	532 18 83-30	Pinion Assembly, RH
10	532 19 34-66	Decal, Drive Control Operation	42	532 18 81-52	O-Ring
12	532 18 76-53	Screw	43	532 18 83-31	Pinion Assembly, LH
13	532 18 86-45	Gearcase Assembly, Complete	44	532 18 22-12	V-Belt
14	532 19 41-28	Pulley Assembly	45	532 17 50-98	Pawl
15	532 08 39-23	Nut, Flangelock	46	532 18 82-91	Spring, Torsion
16	532 16 15-84	Rod, Connecting	47	532 06 77-25	Washer
17	532 16 16-02	Spring, Extension	48	532 17 51-05	Retainer, Drive, LH
18	532 19 61-62	Spring, Selector	49	532 17 51-03	Pinion, Gear
19	532 19 00-69	Knob, Selector Spring	50	532 17 51-02	Retainer, Drive, RH
20	812 00 00-22	E-Ring	51	532 08 83-48	Washer, Flat
21	532 16 33-65	Bearing, Support	61	532 18 75-30	Case, Lower
22	532 16 99-11	Bearing, Ball	62	532 18 75-31	Case, Upper
23	532 16 45-55	Retainer, Drive Assembly	63	532 18 75-32	Gear, 24 Teeth
24	532 05 78-08	Screw, Tapping, Hex Head 1/4-20 x .75	64	532 18 75-33	Shaft, Input
25	532 19 55-46	Cover Drive	65	532 18 35-05	Wire, Formed
26	532 75 06-34	Screw, Threaded, Rolled #10-25 x .50	66	532 18 35-06	Bearing, Ball
27	532 05 21-60	Washer, Shim (as required)	67	532 18 35-08	Seal, Output Shaft
28	812 00 00-58	E-Ring 7/16	68	532 18 35-09	Washer
29	532 18 94-03	Cover, Dust, Wheel	69	532 18 35-11	Bushing
30	532 17 51-04	Disc, Drive	70	532 19 12-49	Shaft, Output
31	532 18 41-72	Seal, Friction	71	532 18 35-13	Screw
32	532 18 07-53	Wheel & Tire Assembly, Rear, Driven 9 x 2	72	532 18 35-14	Seal, Input Shaft

NOTE: All component dimensions given in U.S. inches. 1 inch = 25.4 mm. **IMPORTANT:** Use only Original Equipment Manufacturer (O.E.M.) replacement parts. Failure to do so could be hazardous, damage your lawn mower and void your warranty.