

**B36**

***Tanaka***

**TBC 290/S/D**

A partir du numéro de série : **B038900**

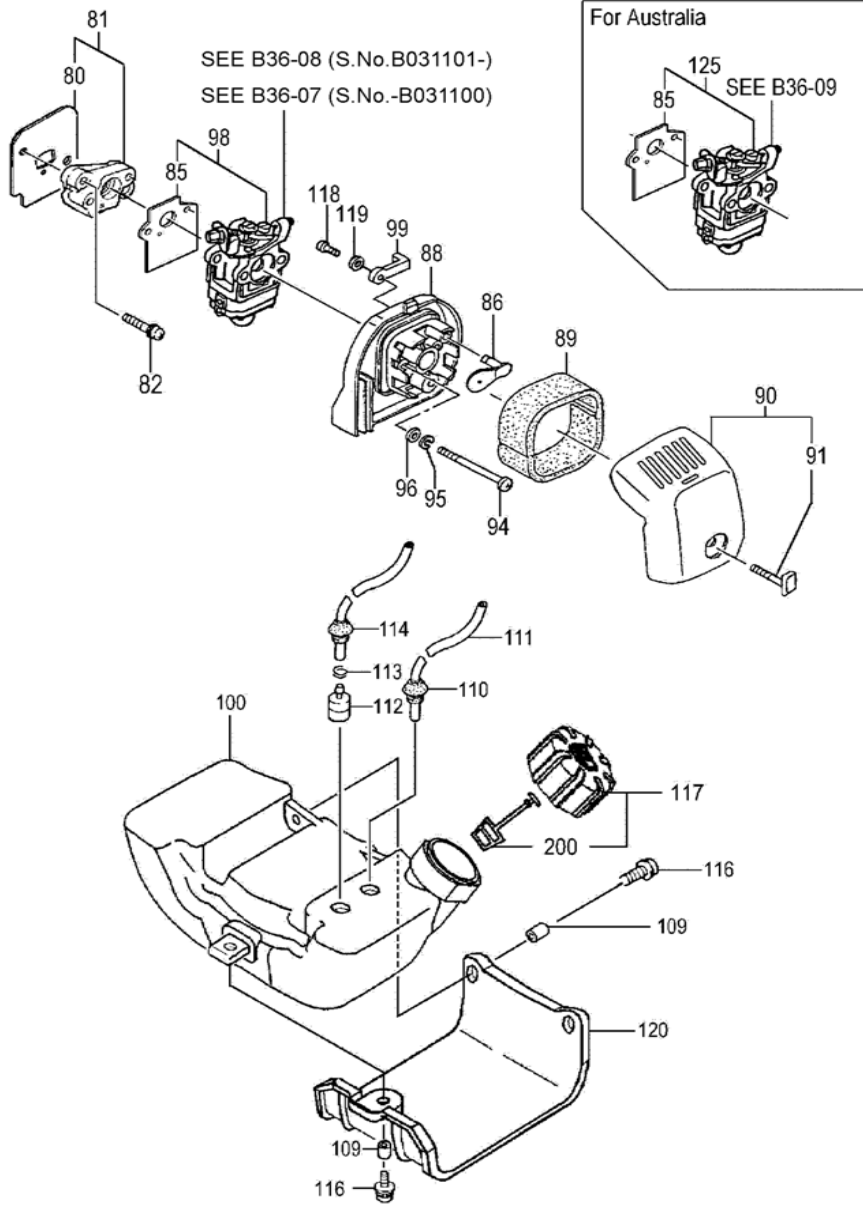
*16 février 2005*





B36  
03

# TBC-290,S,D ENGINE-1



## Parts List

Ref.	Part No.	Description	Q'ty	Serial No.
080	403-07020-21	INLET MANIFORD GASKET	1	
081	404-07020-91	INSULATOR SET, SPARE	1	
082	994-16050-241	SCREW 5X24WS	2	
085	402-0656A-20	CARBURETOR GASKET	1	
086	528-07020-22	CHOKE PLATE 1.0	1	
088	423-0652N-80	CLEANER BODY COMP.	1	
089	446-0652N-20	CLEANER SPONGE	1	
090	452-07035-90	CLEANER COVER A'SSY	1	
091	450-07024-80	COVER FIXING BOLT	1	
094	990-11050-552	SCREW 5X55	2	
095	992-10050-012	S.WASHER 5	2	
096	992-00050-011	SMALL WASHER 5	2	
098	455-07021-90	CARBURETOR SET	1	- B031100
098	455-07025-90	CARBURETOR SET	1	B031101 -
099	523-0652N-20	CHOKE CONTROL LEVER	1	
100	591-07034-80	TANK COMP. OR	1	
109	659-00801-20	COLLAR 5.8	3	- W251700
109	659-04300-20	COLLAR C	3	W251701 -
110	222-06300-20	FUEL PIPE GROMMET	1	
111	700-03005-08	FUEL PIPE 3X5X80	1	
112	675-04042-80	PUMP FILTER BODY COMP.	1	
113	680-00731-20	CLIP, 6.3 DIA.	1	
114	223-0162V-90	FUEL PIPE ASS'Y	1	
116	994-15050-162	SCREW 5X16/PS	3	- W251700
116	994-63050-205	HEX HOLE BOLT 5X20PS	3	W251701 -
117	595-01690-90	TANK CAP ASS'Y (BLACK)	1	
118	990-75040-154	TAPPING SCREW 4X15	1	
119	992-01040-011	WASHER 4	1	
120	941-07035-20	STAND	1	W251701 -
125	455-07021-90	CARBURETOR SET	1	
200	626-32550-20	TANK CAP CHAIN	1	











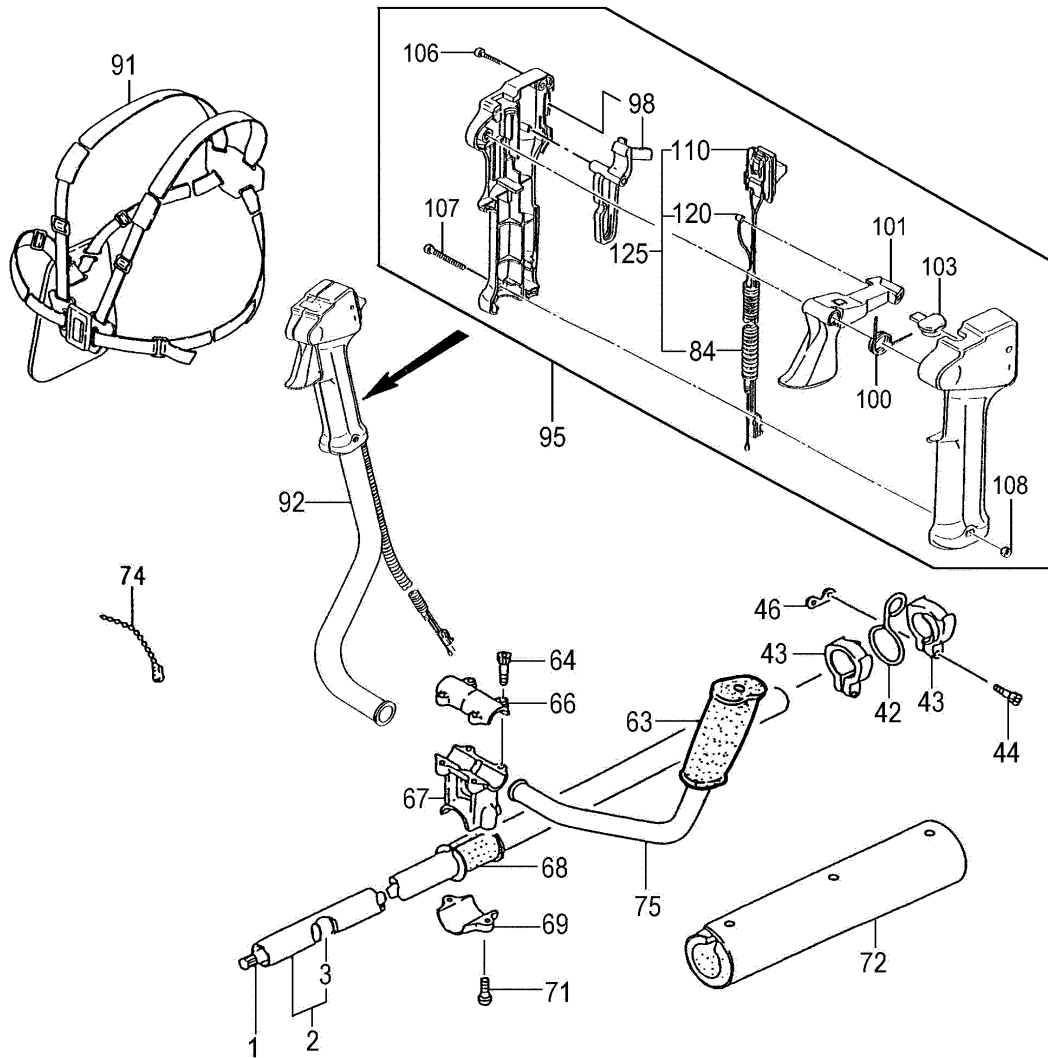






B36  
11

# TBC-290,S,D OPERATION PIPE(TBC-290D)



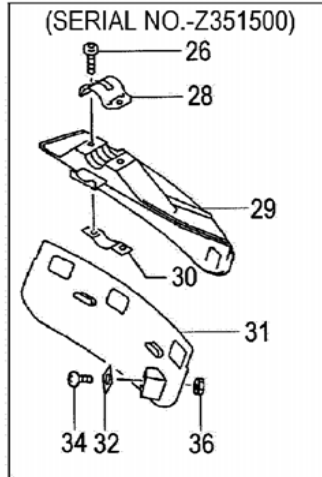
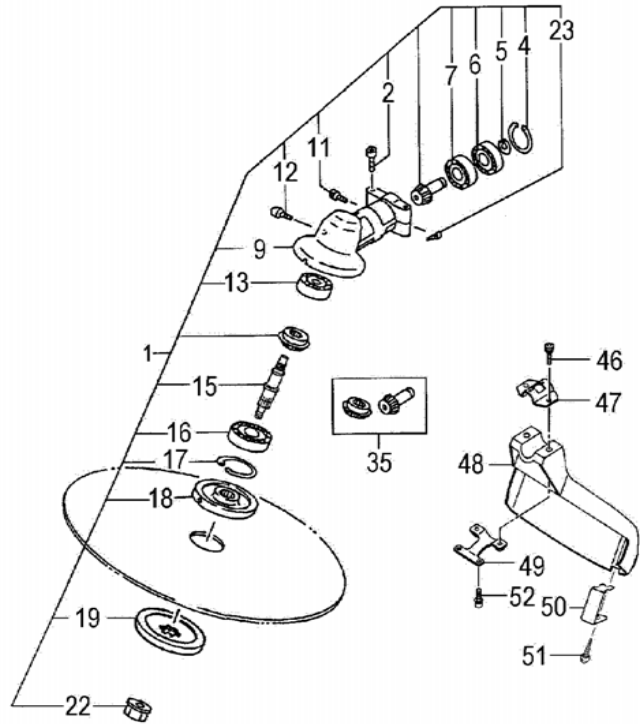
## Parts List

Ref.	Part No.	Description	Q'ty	Serial No.
001	343-38302-20	DRIVE SHAFT 1533L	1	
002	341-38300-81	DRIVE SHAFT PIPE COMP 1500L	1	
003	347-37356-90	BUSHING ASS'Y	5	
042	335-37307-20	LIFTING METAL, 90 DGR SWIVEL	1	
043	334-37352-21	LIFTING METAL COLLAR 26	2	
044	994-62050-304	HEX. HOLE BOLT 5X30.P	2	
046	315-37304-20	SPECIAL NUT	1	
063	165-37590-20	HANDLE GRIP	1	
064	994-61050-254	HEX. HOLE BOLT 5X25/S	4	
066	506-37623-20	HANDLE BRACKET A	1	
067	507-37623-20	HANDLE BRACKET B	1	
068	510-37352-20	CUSHION RUBBER	1	
069	508-37623-20	HANDLE BRACKET C	1	
071	994-81060-254	HEX. HOLE BUTTON SCREW 6X25S	2	
072	336-33411-82	CUSHION PAD COMP.	1	
074	460-33111-20	CLAMP B.	1	
075	502-37415-21	LEFT HANDLE	1	
084	164-07086-50	PROTECTION TUBE	1	
091	746-37455-91	SHOULDER BELT ASS'Y,CR/DOUBLE	1	
092	501-37169-20	RIGHT HANDLE SK	1	
095	870-38401-90	THROTTLE LEVER ASS'Y, 19 DIA.	1	
098	253-38400-20	SAFETY LEVER	1	
100	832-38400-20	RETURN SPRING	1	
101	880-38401-20	THROTTLE LEVER	1	
103	322-38400-20	BLIND PLUG	1	
106	993-46040-202	SCREW 4X20, BLACK	2	
107	994-31050-303	SCREW 5X30, BLACK	1	
108	991-01050-043	CONTAL NUT 5	1	
110	156-38401-80	STOP SWITCH	1	
120	887-38401-80	THROTTLE WIRE	1	
125	885-38401-80	THROTTLE WIRE COMP.	1	



B36  
13

# TBC290,S,D GEAR CASE/GUARD (AU)



## Parts List

Ref.	Part No.	Description	Q'ty	Serial No.
001	300-3338R-90	GEAR CASE ASS'Y,26 DIA.	1	
002	994-61050-254	HEX. HOLE BOLT 5X25/S	2	
004	993-51026-002	STOP RING C-26, INNER	1	
005	993-57010-002	STOP RING OUTER 10	1	
006	999-61600-002	BALL BEARING #6000Z, 26MM/OD	1	
007	999-61600-000	BALL BEARING #6000, 26MM/OD	1	
009	300-37480-20	GEAR CASE 26 DIA	1	
011	994-61050-124	HEX. HOLE BOLT 5X12S	1	
012	316-38150-20	OILING BOLT	1	
013	999-61609-000	BALL BEARING 609	1	
015	304-3338R-20	GEAR SHAFT	1	
016	999-61620-103	BALL BEARING 6201D, 32MM/OD	1	
017	993-51032-002	STOP RING C-32, INNER	1	
018	310-38150-20	CUTTER HOLDER	1	
019	311-38150-20	CUTTER HOLDER CAP	1	
022	313-38150-20	FIXING NUT M10X1.25	1	
023	324-38150-20	GEAR CASE WASHER	1	
026	994-81060-254	HEX. HOLE BUTTON SCREW 6X25S	2	- Z351500
028	442-33699-20	COVER BRACKET, 26 DIA.	1	- Z351500
029	441-37380-20	SAFETY COVER, CE	1	- Z351500
030	445-37380-20	SAFETY COVER HOLDER	1	- Z351500
031	447-37380-20	COVER GUARD	1	- Z351500
032	797-37380-21	KNIFE	1	- Z351500
034	994-14050-121	SCREW 5X12/S	1	- Z351500
035	301-37480-00	GEAR/PINION SET, SPARE	1	
036	991-01050-011	HEX. NUT 5	1	- Z351500
046	994-81060-254	HEX. HOLE BUTTON SCREW 6X25S	2	Z351501 -
047	442-37325-20	COVER BRACKET, 26 DIA.	1	Z351501 -
048	441-37587-20	SAFETY COVER, 26 DIA.	1	Z351501 -
049	445-38150-20	SAFETY COVER HOLDER	1	Z351501 -
050	797-38150-20	KNIFE	1	Z351501 -
051	993-17052-002	TAPPING SCREW	1	Z351501 -
052	994-61050-124	HEX. HOLE BOLT 5X12S	2	Z351501 -

