

B37

Tanaka

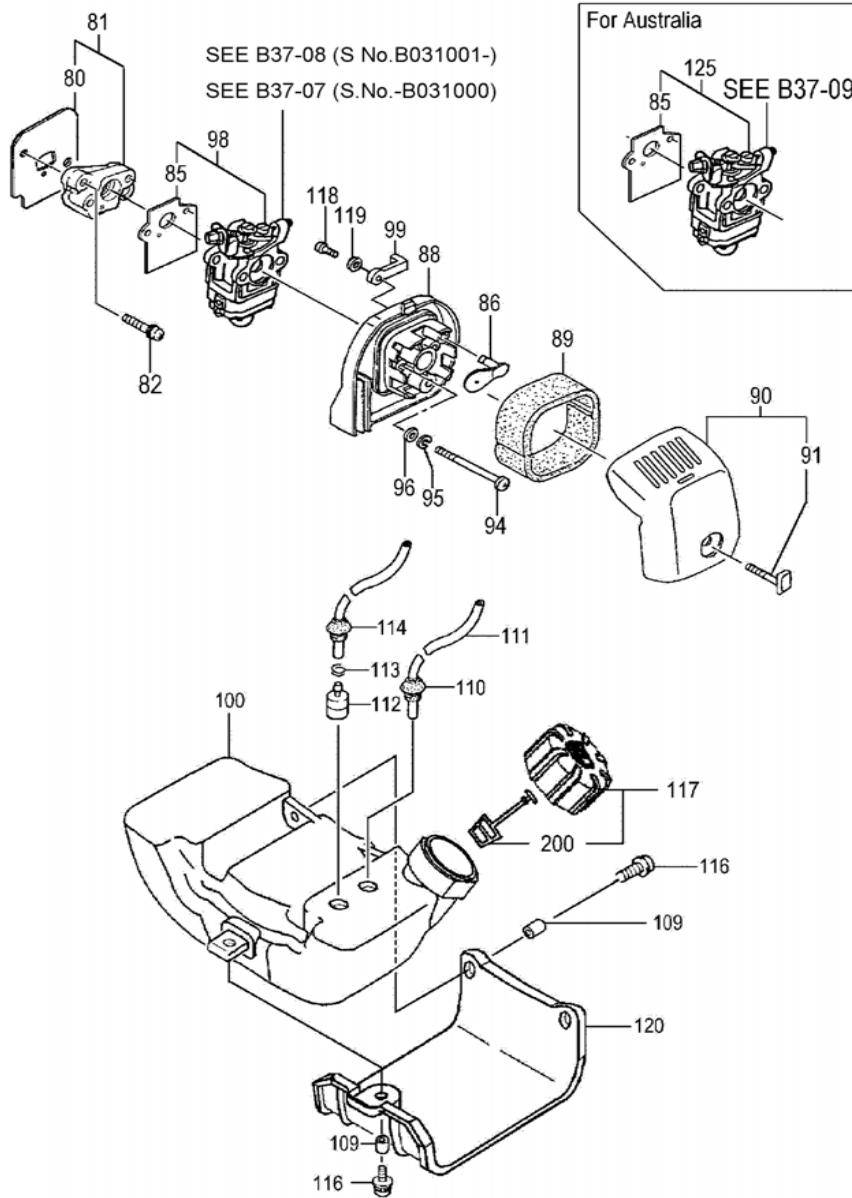
TBC 340/D/DS

A partir du numéro de série : **B037400**

19 février 2005

**B37
03**

TBC-340,D,DS ENGINE-1

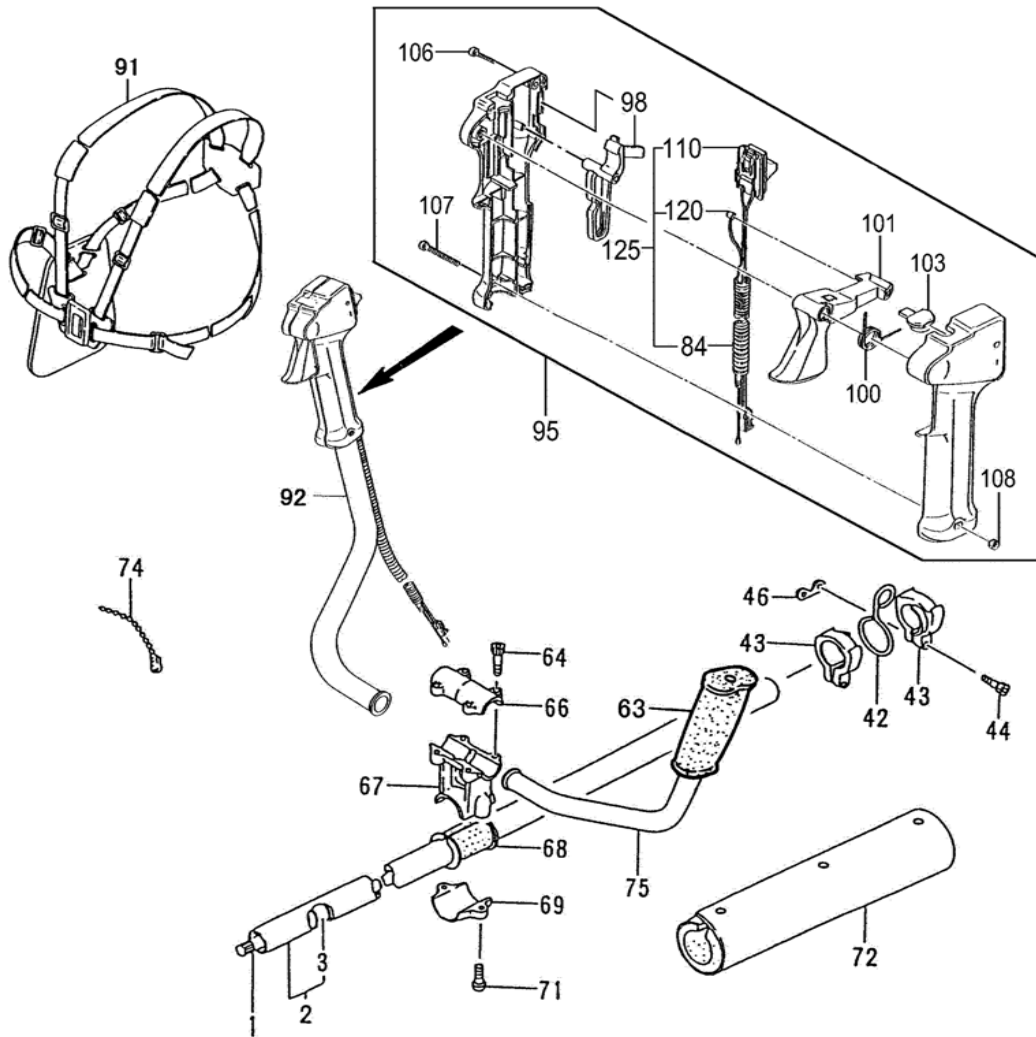


Parts List

Ref.	Part No.	Description	Q'ty	Serial No.
080	403-0143C-21	INLET MANIFOLD GASKET	1	
081	404-0143C-90	CARBURETOR INSULATOR SET, SPARE	1	
082	994-16050-221	SCREW 5X22/WS	2	
085	402-0656A-20	CARBURETOR GASKET	1	
086	528-07020-22	CHOKE PLATE 1.0	1	
088	423-0652N-80	CLEANER BODY COMP.	1	
089	446-0652N-20	CLEANER SPONGE	1	
090	452-07035-90	CLEANER COVER A'SSY	1	
091	450-07024-80	COVER FIXING BOLT	1	
094	994-14050-571	SCREW 5X57/S	2	
096	992-00050-011	SMALL WASHER 5	2	
098	455-07030-90	CARBURETOR SET, SPARE	1	- B031000
098	455-07037-90	CARBURETOR SET WYJ296	1	B031001 -
099	523-0652N-20	CHOKE CONTROL LEVER	1	
100	591-07034-80	TANK COMP. OR	1	
109	659-00801-20	COLLAR 5.8	3	- W200670
109	659-04300-20	COLLAR C	3	W200671 -
110	222-06300-20	FUEL PIPE GROMMET	1	
111	700-03005-08	FUEL PIPE 3X5X80	1	
112	675-04042-80	PUMP FILTER BODY COMP.	1	
113	680-00731-20	CLIP, 6.3 DIA.	1	
114	223-0162V-90	FUEL PIPE ASS'Y	1	
116	994-15050-162	SCREW 5X16/PS	3	- W200670
116	994-63050-205	HEX HOLE BOLT 5X20PS	3	W200671 -
117	595-01690-90	TANK CAP ASS'Y (BLACK)	1	
118	990-75040-154	TAPPING SCREW 4X15	1	
119	992-01040-011	WASHER 4	1	
120	941-07035-20	STAND	1	W200671 -
125	455-07030-90	CARBURETOR SET, SPARE	1	
200	626-32550-20	TANK CAP CHAIN	1	

B37
11

TBC-340,D,DS OPERATION PIPE(TBC-340D,DS)



Parts List

Ref.	Part No.	Description	Q'ty	Serial No.
001	343-38302-20	DRIVE SHAFT 1533L	1	
002	341-38300-81	DRIVE SHAFT PIPE COMP 1500L	1	
003	347-37356-90	BUSHING ASS'Y	5	
042	335-37307-20	LIFTING METAL, 90 DGR SWIVEL	1	
043	334-37352-21	LIFTING METAL COLLAR 26	2	
044	994-62050-304	HEX. HOLE BOLT 5X30.P	2	
046	315-37304-20	SPECIAL NUT	1	
063	165-37590-20	HANDLE GRIP	1	
064	994-61050-254	HEX. HOLE BOLT 5X25/S	4	
066	506-37623-20	HANDLE BRACKET A	1	
067	507-37623-20	HANDLE BRACKET B	1	
068	510-37352-20	CUSHION RUBBER	1	
069	508-37623-20	HANDLE BRACKET C	1	
071	994-81060-254	HEX. HOLE BUTTON SCREW 6X25S	2	
072	336-33411-82	CUSHION PAD COMP.	1	
074	460-33111-20	CLAMP B.	1	
075	502-37415-21	LEFT HANDLE	1	
084	164-07086-50	PROTECTION TUBE	1	
091	746-37455-91	SHOULDER BELT ASS'Y,CR/DOUBLE	1	
092	501-37169-20	RIGHT HANDLE SK	1	
095	870-38401-90	THROTTLE LEVER ASS'Y, 19 DIA.	1	
098	253-38400-20	SAFETY LEVER	1	
100	832-38400-20	RETURN SPRING	1	
101	880-38401-20	THROTTLE LEVER	1	
103	322-38400-20	BLIND PLUG	1	
106	993-46040-202	SCREW 4X20, BLACK	2	
107	994-31050-303	SCREW 5X30, BLACK	1	
108	991-01050-043	CONICAL NUT 5	1	
110	156-38401-80	STOP SWITCH	1	
120	887-38401-80	THROTTLE WIRE	1	
125	885-38401-80	THROTTLE WIRE COMP.	1	

