

**C06**

***Tanaka***

**ECV 3801**

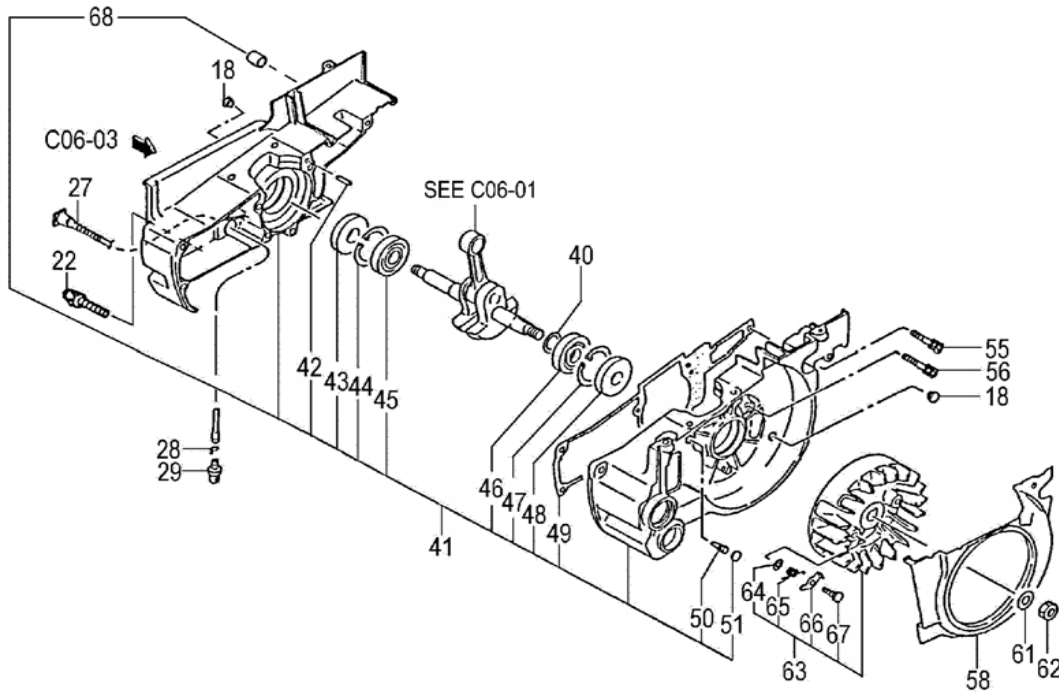
A partir du numéro de série : **B038900**

*18 février 2005*



C06  
02

# ECV-3801 CRANK CASE



## Parts List

Ref.	Part No.	Description	Q'ty	Serial No.
018	222-3252K-21	SIDE DUMPER	2	
022	990-53050-353	HEX HOLE SCREW 5X35	1	V235001 -
027	515-3252K-20	OIL PIPE A	1	
028	680-04019-21	CLIP 7	1	
029	486-32530-80	OIL FILTER BODY COMP.	1	
040	071-04063-21	SHIM 0.1	V	
040	071-04063-23	SHIM 0.2	V	
040	071-04063-24	SHIM 0.3	V	
040	071-04063-25	SHIM 0.4	V	S291871 -
041	072-0406E-90	CRANK CASE ASS'Y	1	
042	999-05041-201	KNOCK PIN 4X12	2	
043	999-66123-219	OIL SEAL ISMX12325.5	1	
044	993-51032-002	STOP RING C-32, INNER	1	
045	999-61620-106	BALL BEARING 6201 A2C3,32MM/OD	1	
046	999-61620-106	BALL BEARING 6201 A2C3,32MM/OD	1	
047	993-51032-002	STOP RING C-32, INNER	1	
048	999-66123-219	OIL SEAL ISMX12325.5	1	
049	090-04063-22	CRANKCASE GASKET	1	
050	562-04060-20	AIR VENT VALVE B	1	
051	566-04063-20	AIR VENT COVER	1	
055	994-61050-184	HEX. HOLE BOLT 5X18/S	3	
056	994-61050-304	HEX. HOLE BOLT 5X30S	3	
058	132-04063-20	AIR DEFLECTOR	1	
061	992-01080-011	WASHER 8	1	
062	991-01080-011	HEX. NUT 8	1	
063	155-21541-90	MAGNETO ROTOR ASS'Y	1	
064	182-01700-20	SPECIAL WASHER	2	
065	790-04063-20	PAWL SPRING	2	
066	788-01700-20	STARTER PAWL	2	
067	793-10200-20	STEP BOLT	2	
068	217-3252K-20	HANDLE DAMPER	1	V181301 -





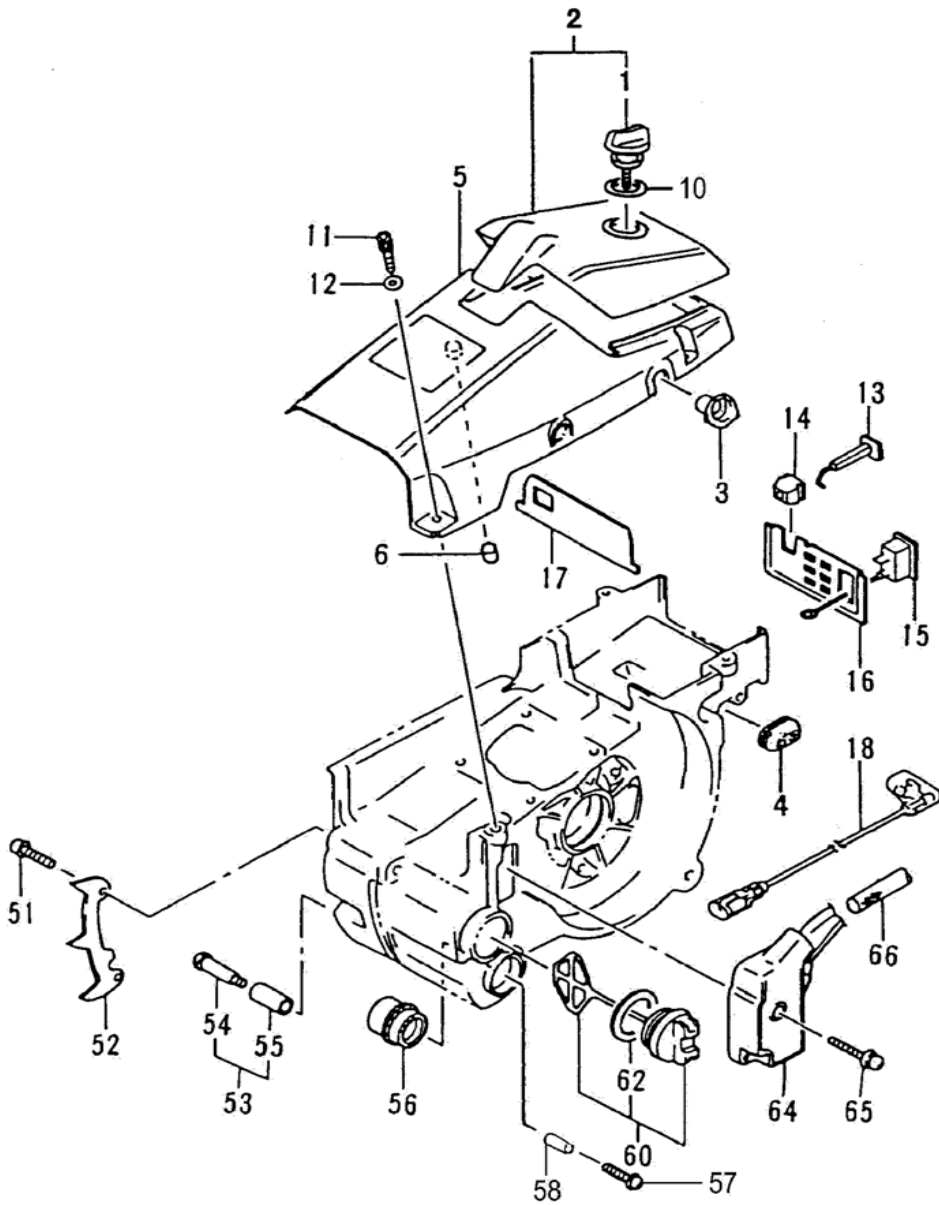




C06  
07

# ECV-3801 IGNITION COIL/COVER

## Parts List



Ref.	Part No.	Description	Q'ty	Serial No.
001	175-3252K-80	AIRCLENER KNOB COMP.	1	
002	452-04065-90	CLEANER COVER SET, SPARE	1	
003	191-3252K-20	IDLE GROMMET	1	
004	190-3252K-20	ADJUSTER CAP	1	
005	016-04065-20	CYLINDER COVER	1	
006	599-04063-20	CYLINDR SUPPORT RUBBER	1	
010	418-04063-20	CLEANER PACKING	1	T223471 -
011	994-61050-164	HEX. HOLE BOLT 5X16S	3 -	Z114300
011	994-64050-154	HEX. HOLE BOLT 5X15WS	3	Z114301 -
012	992-00050-011	SMALL WASHER 5	3 -	Z114300
013	704-3252K-80	CHOKE BUTTON COMP.	1	
014	707-32550-20	CHOKE ROD HOLDING RUBBER	1	
015	162-04063-81	STOP SWITCH COMP.	1	
016	511-04063-20	CONTROL PLATE	1	
017	188-3252K-20	SHUTTER PLATE	1	
018	179-04063-81	STOP CORD, B225M	1	
051	994-61050-124	HEX. HOLE BOLT 5X12S	2	
052	460-3252K-20	BUMPER SPIKE	1	
053	125-3252K-90	CHAIN CATCHER	1	
054	380-04063-20	SPECIAL BOLT	1	
055	700-07105-02	VINYL PIPE 7X10.5X20	1	
056	219-32600-82	DAMPER COMP.	2	
057	990-73050-184	TAPPING SCREW 5X18	2 -	V181300
057	990-73050-354	TAPPING SCREW 5X35	2	V181301 -
058	659-37922-20	COLLAR 15	2	V181301 -
060	642-3252K-90	OIL TANK CAP ASS'Y	1	
062	523-3252K-20	OIL TANK CAP GASKET	1	
064	167-21527-81	IGNITION COIL COMP.	1	
065	994-64040-184	HEX. HOLE BOLT 4X18WS	2	
066	250-04063-21	CORD INSULATOR TUBE	1	







