

C07

Tanaka

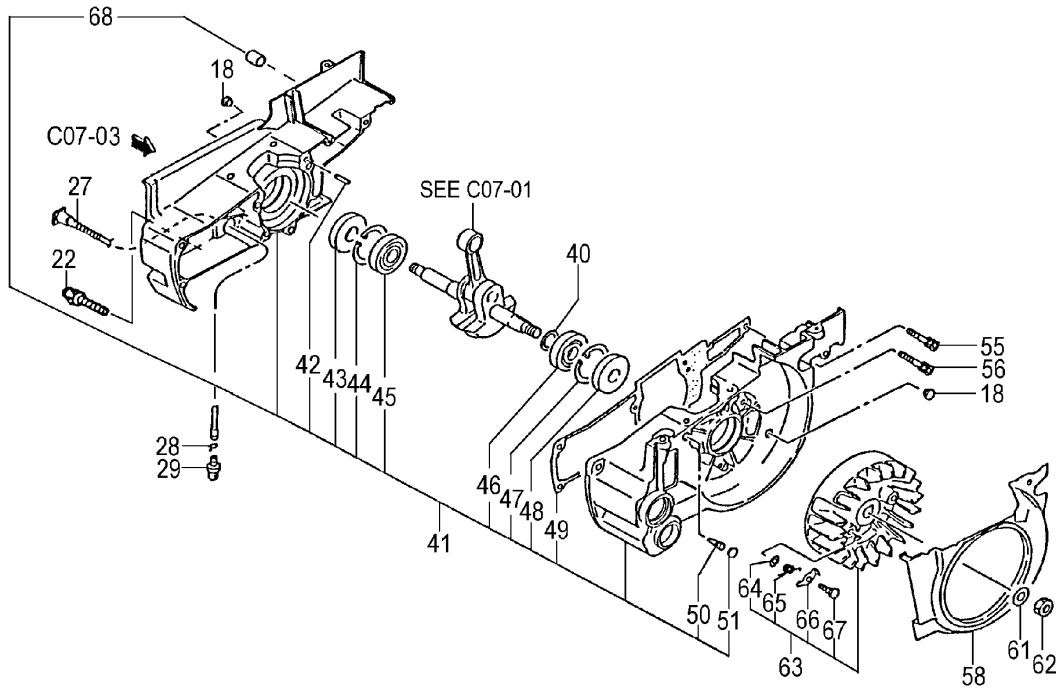
ECV 4501

A partir du numéro de série : **B011900**

01 février 2005

C07
02

ECV-4501 CRANK CASE



Parts List

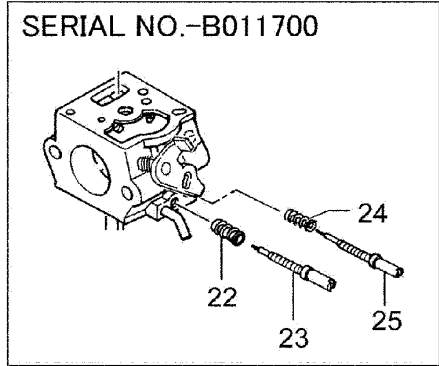
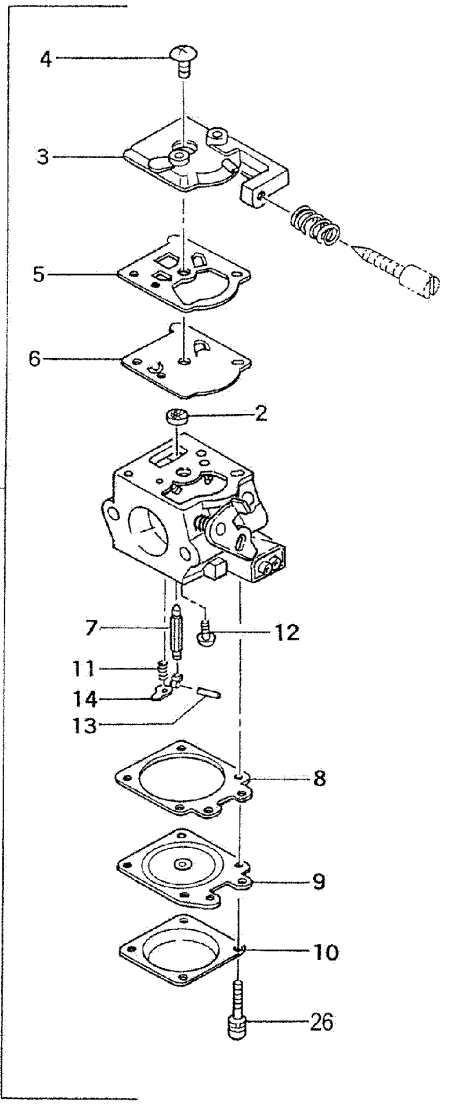
Ref.	Part No.	Description	Q'ty	Serial No.
018	222-3252K-21	SIDE DUMPER	2	
022	990-53050-353	HEX HOLE SCREW 5X35	1	V235151 -
027	515-3252K-20	OIL PIPE A	1	
028	680-04019-21	CLIP 7	1	
029	486-32530-80	OIL FILTER BODY COMP.	1	
040	071-04063-21	SHIM 0.1	V	
040	071-04063-23	SHIM 0.2	V	
040	071-04063-24	SHIM 0.3	V	
040	071-04063-25	SHIM 0.4	V	T022564 -
041	072-0406F-90	CRANK CASE ASS'Y	1	
042	999-05041-201	KNOCK PIN 4X12	2	
043	999-66123-219	OIL SEAL ISMX12325.5	1	
044	993-51032-002	STOP RING C-32, INNER	1	
045	999-61620-106	BALL BEARING 6201 A2C3,32MM/OD	1	
046	999-61620-106	BALL BEARING 6201 A2C3,32MM/OD	1	
047	993-51032-002	STOP RING C-32, INNER	1	
048	999-66123-219	OIL SEAL ISMX12325.5	1	
049	090-04063-22	CRANKCASE GASKET	1	
050	562-04060-20	AIR VENT VALVE B	1	
051	566-04063-20	AIR VENT COVER	1	
055	994-61050-184	HEX. HOLE BOLT 5X18/S	3	
056	994-61050-304	HEX. HOLE BOLT 5X30S	3	
058	132-04063-20	AIR DEFLECTOR	1	
061	992-01080-011	WASHER 8	1	
062	991-01080-011	HEX. NUT 8	1	
063	155-21541-90	MAGNETO ROTOR ASS'Y	1	
064	182-01700-20	SPECIAL WASHER	2	
065	790-04063-20	PAWL SPRING	2	
066	788-01700-20	STARTER PAWL	2	
067	793-10200-20	STEP BOLT	2	
068	217-3252K-20	HANDLE DAMPER	1	V181601 -

C07
06

ECV-4501 CARBURETOR

Parts List

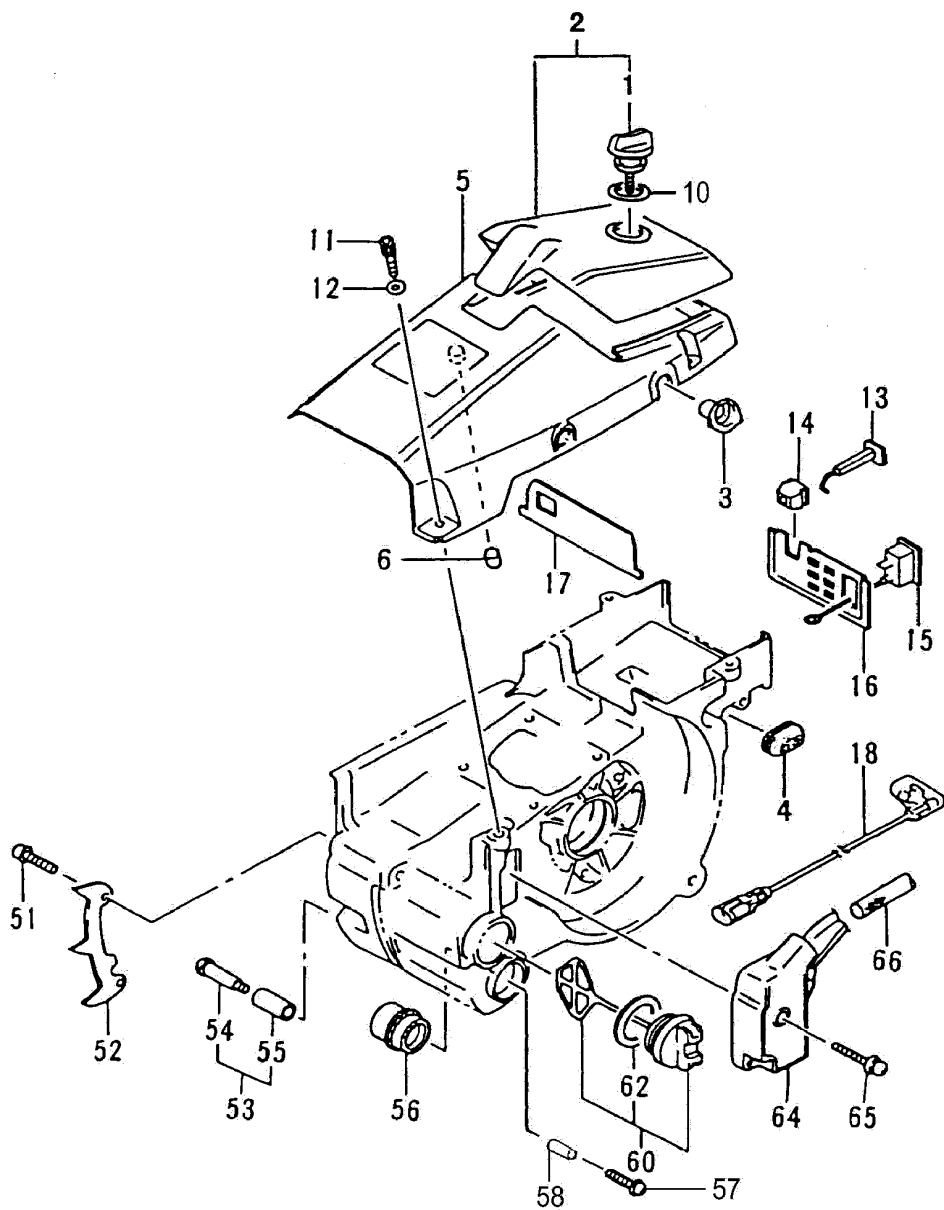
Ref.	Part No.	Description	Q'ty	Serial No.
000	455-25092-90	CARBURETOR ASS'Y WT484	1	- B011700
000	455-25095-90	CARBURETOR ASS'Y WT-497A	1	B011701 -
002	578-25007-20	INLET SCREEN	1	
003	575-25006-20	PUMP BODY	1	
004	514-25001-20	SET SCREW	1	
005	577-25007-20	PUMP GASKET	1	
006	576-25006-20	PUMP DIAPHRAGM	1	
007	603-25012-20	NEEDLE VALVE	1	
008	475-25038-20	DIAPHRAGM GASKET	1	
009	474-25001-80	METERING DIAPHRAGM COMP.	1	
010	476-25004-20	DIAPHRAGM COVER	1	
011	477-25080-20	VALVE SPRING	1	
012	546-25001-20	HINGE PIN SET SCREW	1	
013	605-25001-20	HINGE PIN	1	
014	473-25001-20	VALVE HINGE	1	
022	623-25032-20	HIGH/LOW ADJUST SPRING	1	- B011700
023	461-25086-20	LOW ADJUSTMENT SCREW	1	- B011700
024	485-25040-20	HIGH ADJUSTMENT SPRING	1	- B011700
025	460-25080-20	HIGH ADJUST SCREW	1	- B011700
026	548-25012-20	SET SCREW	4	



SERIAL NO.-B011700

C07
07

ECV-4501 IGNITION COIL/COVER



Parts List

Ref.	Part No.	Description	Q'ty	Serial No.
001	175-3252K-80	AIRCLENER KNOB COMP.	1	
002	452-04065-90	CLEANER COVER SET, SPARE	1	
003	191-3252K-20	IDLE GROMMET	1	
004	190-3252K-20	ADJUSTER CAP	1	
005	016-04065-20	CYLINDER COVER	1	
006	599-04063-20	CYLINDR SUPPORT RUBBER	1	
010	418-04063-20	CLEANER PACKING	1	T105535 -
011	994-61050-164	HEX. HOLE BOLT 5X16S	3 -	Z114700
011	994-64050-154	HEX. HOLE BOLT 5X15WS	3	Z114701 -
012	992-00050-011	SMALL WASHER 5	3 -	Z114700
013	704-3252K-80	CHOKE BUTTON COMP.	1	
014	707-32550-20	CHOKE ROD HOLDING RUBBER	1	
015	162-04063-81	STOP SWITCH COMP.	1	
016	511-04063-20	CONTROL PLATE	1	
017	188-3252K-20	SHUTTER PLATE	1	
018	179-04063-81	STOP CORD, B225M	1	
051	994-61050-124	HEX. HOLE BOLT 5X12S	2	
052	460-3252K-20	BUMPER SPIKE	1	
053	125-3252K-90	CHAIN CATCHER	1	
054	380-04063-20	SPECIAL BOLT	1	
055	700-07105-02	VINYL PIPE 7X10.5X20	1	
056	219-32600-82	DAMPER COMP.	2	
057	990-73050-184	TAPPING SCREW 5X18	2 -	V235150
057	990-73050-354	TAPPING SCREW 5X35	2	V235151 -
058	659-37922-20	COLLAR 15	2	V235151 -
060	642-3252K-90	OIL TANK CAP ASS'Y	1	
062	523-3252K-20	OIL TANK CAP GASKET	1	
064	167-21527-81	IGNITION COIL COMP.	1	
065	994-64040-184	HEX. HOLE BOLT 4X18WS	2	
066	250-04063-21	CORD INSULATOR TUBE	1	

