

H01

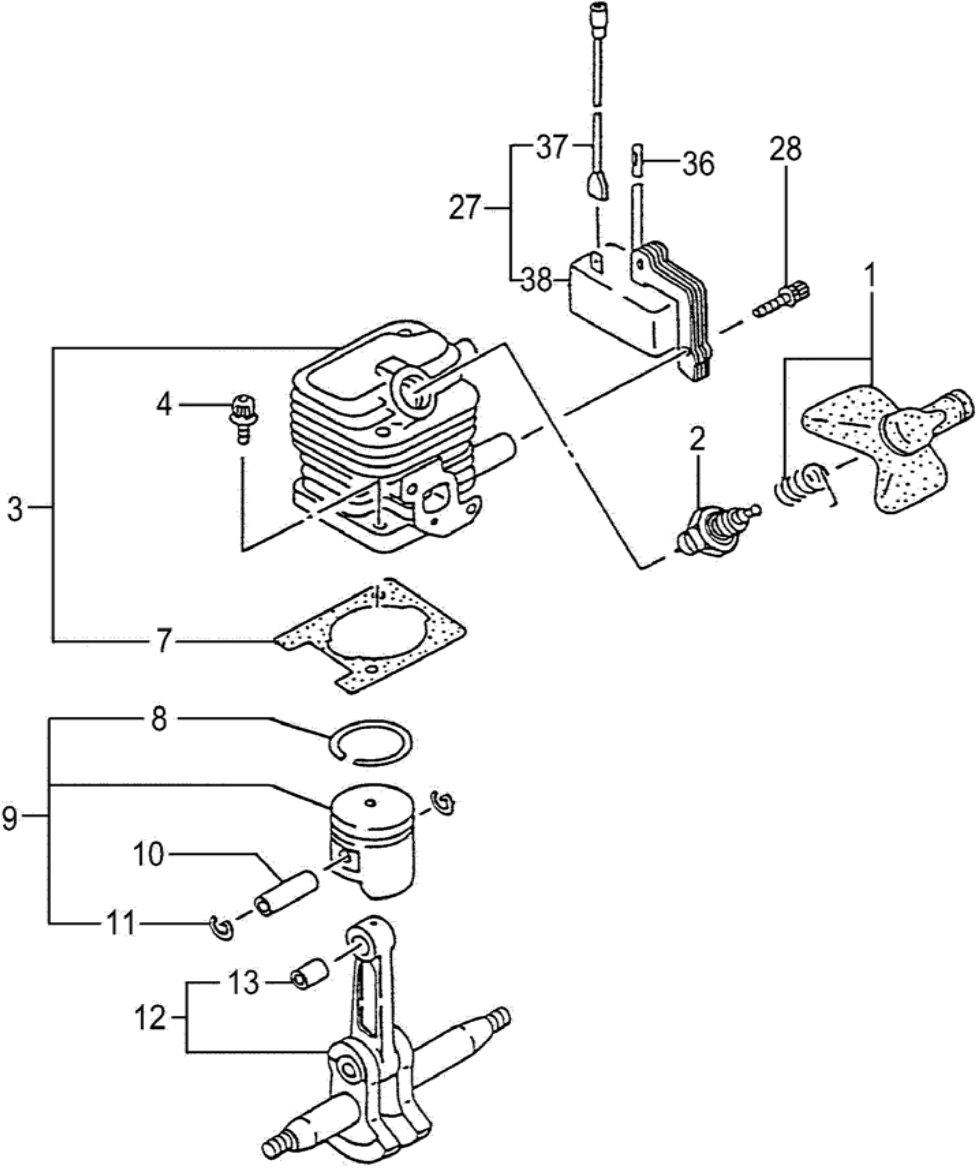
Tanaka

THT 2100/S

A partir du numéro de série : **B089390**

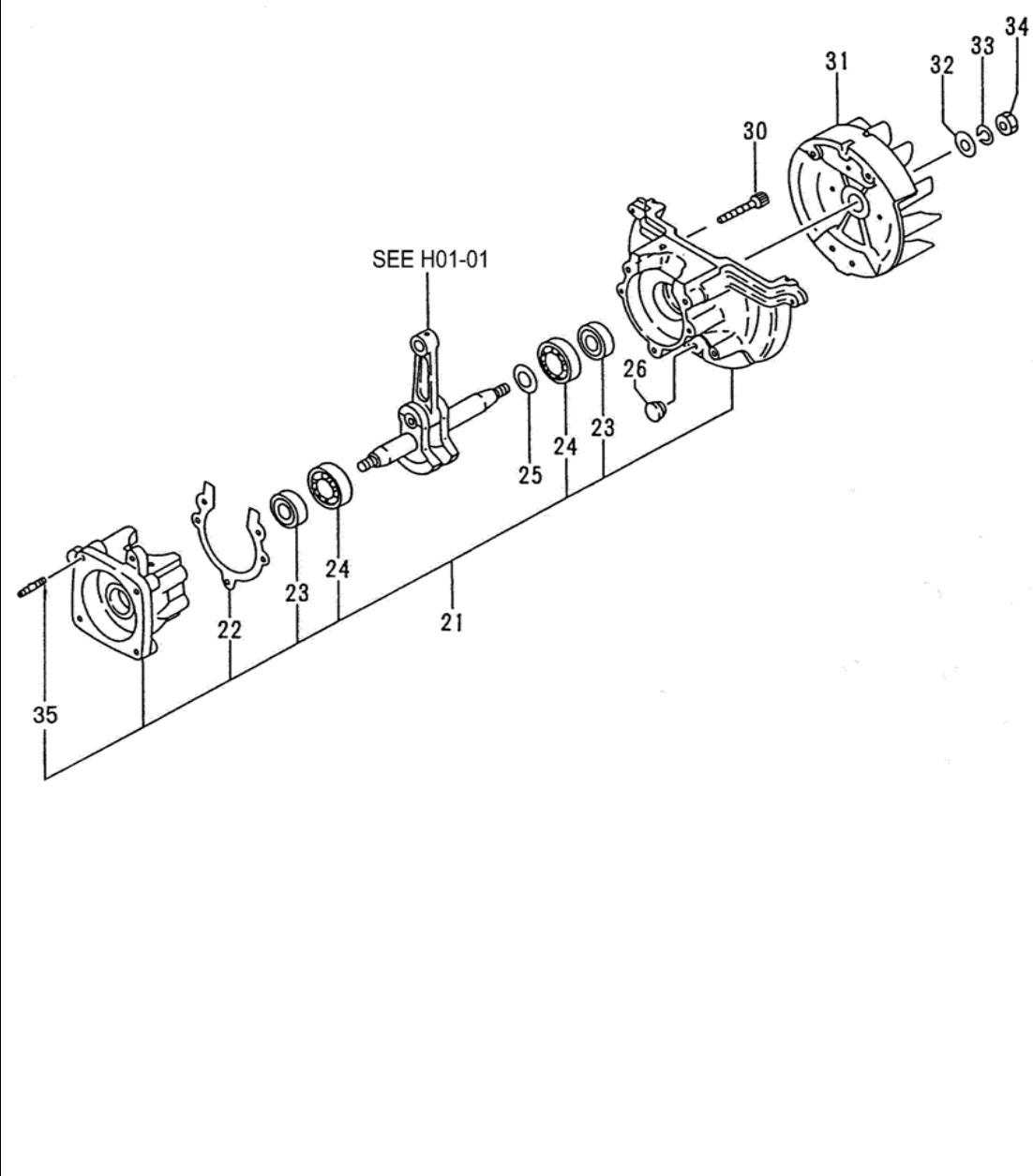
01 mars 2005

H01 01	THT-2100,S CYLINDER/PISTON/CRANK SHAFT	Parts List			
Ref.	Part No.	Description	Q'ty	Serial No.	
001	157-06500-91	SPARK PLUG CAP ASS'Y	1		
002	018-00555-20	SPARK PLUG, RCJ8Y	1		
003	001-0650A-90	CYLINDER SET	1		
004	994-61050-184	HEX. HOLE BOLT 5X18/S	2		
007	017-06500-20	CYLINDER GASKET	1		
008	041-00601-21	PISTON RING	1		
009	030-06500-90	PISTON SET, SPARE	1	- Y322900	
009	030-0650A-90	PISTON SET	1	Y322901 -	
010	037-06500-20	PISTON PIN	1		
011	039-01620-20	PISTON PIN CIRCLIP	2		
012	046-06500-80	CRANK SHAFT COMP.	1		
013	999-62081-225	NEEDLE BRG F-810 1.4X8.5	1		
027	153-21532-90	IGNITION COIL ASS'Y	1		
028	994-64040-184	HEX. HOLE BOLT 4X18WS	2		
036	250-06500-20	INSULATOR TUBE, 50L	1		
037	178-06500-80	CORD	1		
038	167-21532-80	IGNITION COIL COMP.	1		



**H01
02** **THT-2100,S CRANK CASE**

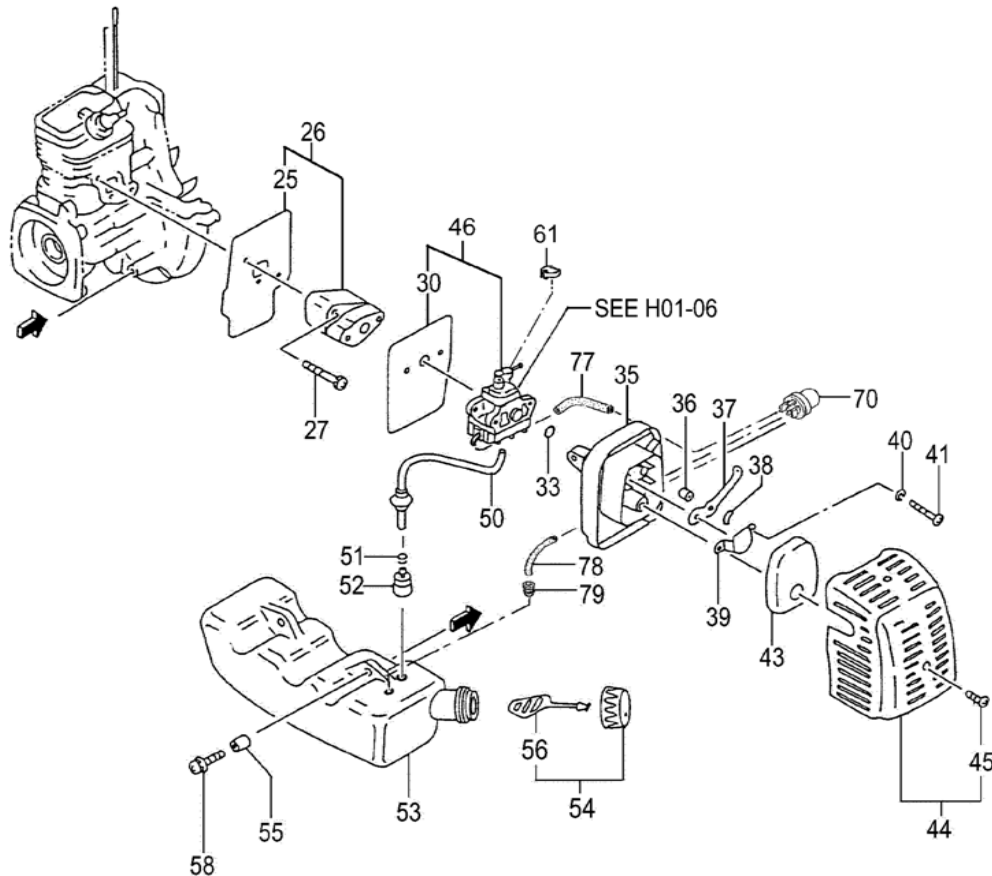
Parts List				
Ref.	Part No.	Description	Q'ty	Serial No.
021	072-06500-90	CRANK CASE ASS'Y	1	
022	090-06500-20	CRANKCASE GASKET	1	
023	999-66122-200	OIL SEAL TB 12227	2	
024	999-61600-115	BALL BEARING 6001 C3	2	
025	330-00200-21	GEAR SHAFT SHIM 0.10	V	
025	330-00200-22	GEAR SHAFT SHIM 0.15	V	
025	330-00200-23	GEAR SHAFT SHIM 0.20	V	
025	330-00200-24	GEAR SHAFT SHIM 0.30	V	
026	599-00601-20	GROMMET	1	
030	994-61050-304	HEX. HOLE BOLT 5X30S	3	
031	155-21523-80	MAGNETO ROTOR COMP.	1	
032	992-01080-011	WASHER 8	1	
033	992-10080-012	S.WASHER 8	1	
034	991-01080-011	HEX. NUT 8	1	
035	100-02100-20	STUD BOLT 6X22	2	



H01
03

THT-2100,S ENGINE-1

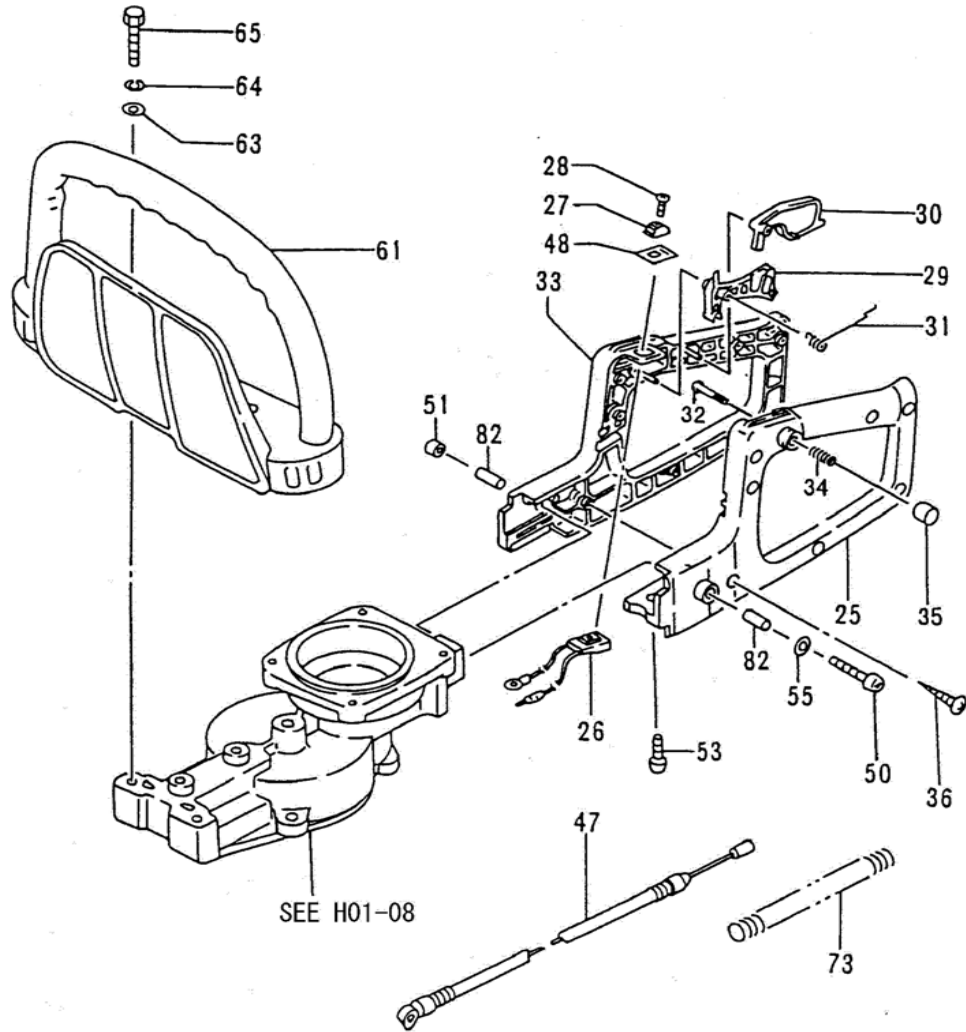
Parts List



Ref.	Part No.	Description	Q'ty	Serial No.
025	403-06500-20	INTAKE PIPE GASKET	1	
026	404-06500-90	CARB. INSULATOR SET, SPARE	1	
027	994-64050-254	HEX. HOLE BOLT 5X25WS	2	
030	402-06500-20	CARBURETOR GASKET	1	
033	999-67015-000	O-RING P-15	1	
035	423-06500-81	CLEANER BODY COMP.	1	
036	470-06500-20	COLLAR 7.5	2	
037	528-06500-20	CHOKE VALVE	1	- B027100
037	528-0650T-20	CHOKE VALVE	1	B027101 -
038	992-04080-031	WAVE WASHER 8	1	
039	476-01700-20	BLOW OVER CHECK BOARD	1	
040	992-10050-012	S.WASHER 5	2	
041	990-11050-602	SCREW 5X60	2	
043	446-06500-21	CLEANER SPONGE	1	
044	452-06500-91	CLEANER COVER ASS'Y	1	
045	380-0637C-20	SPECIAL SCREW	1	
046	455-0651E-90	CARBURETOR SET, SPARRE	1	- Z295500
046	455-06504-90	CARBURETOR SET WYL112	1	- B027100
046	455-0651A-90	CARBURETOR SET, WYL120	1	B027101 -
050	223-06500-90	FUEL PIPE ASS'Y L=130	1	
051	680-00731-20	CLIP, 6.3 DIA.	1	
052	675-04042-80	PUMP FILTER BODY COMP.	1	
053	591-06500-21	FUEL TANK	1	- Z295500
053	591-06504-22	FUEL TANK	1	Z295501 -
054	595-00093-90	TANK CAP D ASS'Y ORANGE	1	
055	659-00801-20	COLLAR 5.8	2	
056	626-32550-20	TANK CAP CHAIN	1	
058	994-63050-185	HEX. HOLE BOLT 5X18PS	2	
061	560-07120-20	SWIVEL CAP	1	A088801 -
070	442-25143-80	PRIMING PUMP COMP.	1	Z295501 -
077	700-02504-08	FUEL PIPE 2.5X4X80	1	Z295501 -
078	700-02504-07	FUEL PIPE 2.5X4X70	1	Z295501 -
079	534-32710-20	RETURN GROMMET	1	Z295501 -

H01
07

THT-2100,S HANDLE

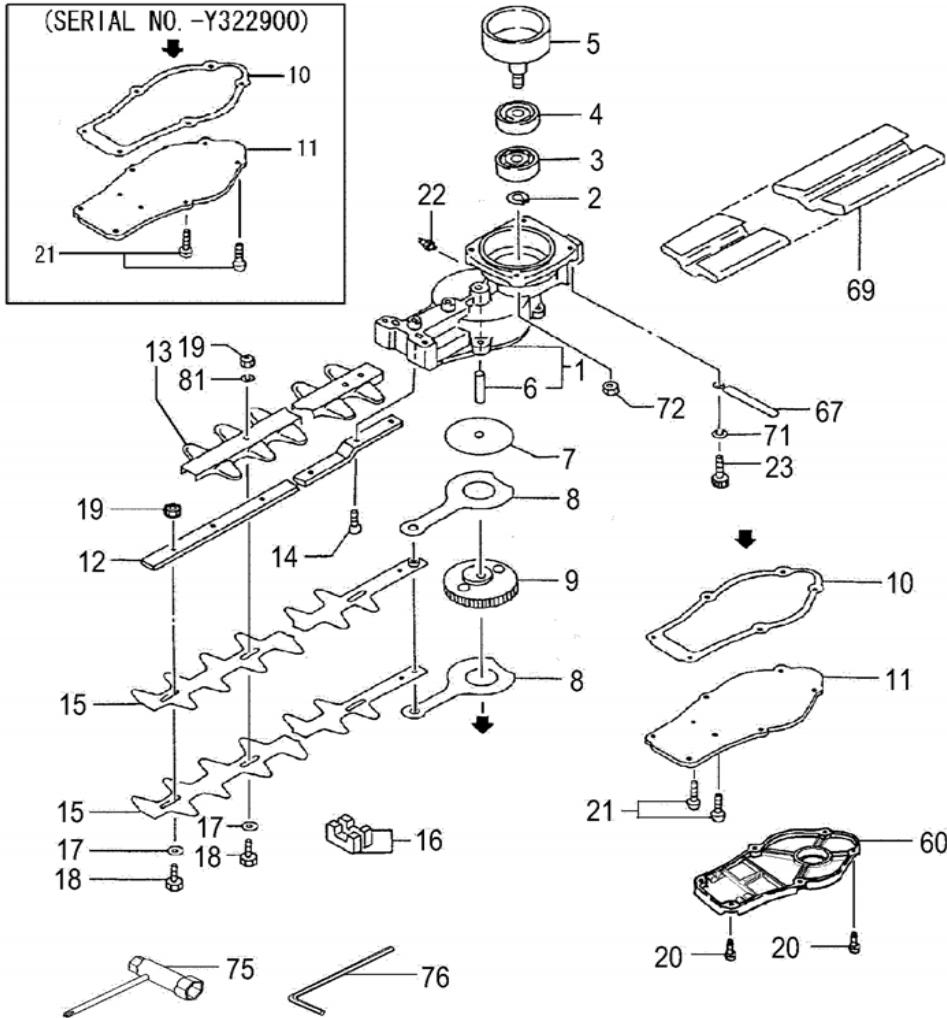


Parts List

Ref.	Part No.	Description	Q'ty	Serial No.
025	050-33150-21	HANDLE A	1	- S001000
025	050-33150-22	HANDLE A	1	S001001 -
026	170-3317A-80	STOP SWITCH COMP.	1	
027	258-11650-20	BUTTON STOP	1	
028	994-31030-101	SCREW 3X10	1	
029	230-33150-20	THROTTLE LEVER	1	
030	231-33150-20	SAFETY LEVER	1	
031	232-33150-20	THROTTLE LEVER SPRING	1	
032	064-32530-20	PUSH PIN	1	T079118 -
032	064-32530-20	PUSH PIN	1	- Z295500
033	051-33150-22	HANDLE B	1	- S001000
033	051-33150-23	HANDLE B	1	S001001 -
034	066-32300-20	STOPPER SPRING	1	T079118 -
034	066-32300-20	STOPPER SPRING	1	- Z295500
035	765-32120-20	CAP	1	- T079117
035	725-32600-20	PUSH PIN CAP	1	- Z295500
035	765-32120-20	CAP	1	Z295501 -
036	993-11041-812	TAPPING SCREW 4X18	7	
047	885-0651C-80	THROTTLE WIRE COMP., 4T	1	
048	925-32530-20	STOP BUTTOM MARK	1	
050	994-14050-451	SCREW 5X45S	1	
051	991-78050-010	NYLON LOCK NUT 5	1	
053	994-15060-181	SCREW 6X18PS	1	
055	992-00050-011	SMALL WASHER 5	1	
061	210-33160-22	FRONT HANDLE	1	
063	992-01050-061	WASHER 5	2	- W042166
063	368-32057-20	BRAKE SHAFT WASHER	2	W042167 -
064	992-10050-062	S.WASHER 5	2	
065	990-51050-403	HEX. HOLE BOLT 5X40	2	
073	164-07014-00	PROTECTION TUBE, 140L	1	
082	659-00801-20	COLLAR 5.8	2	S001001 -

H01
08

THT-2100,S GEAR CASE / BLADE (- Z295500)

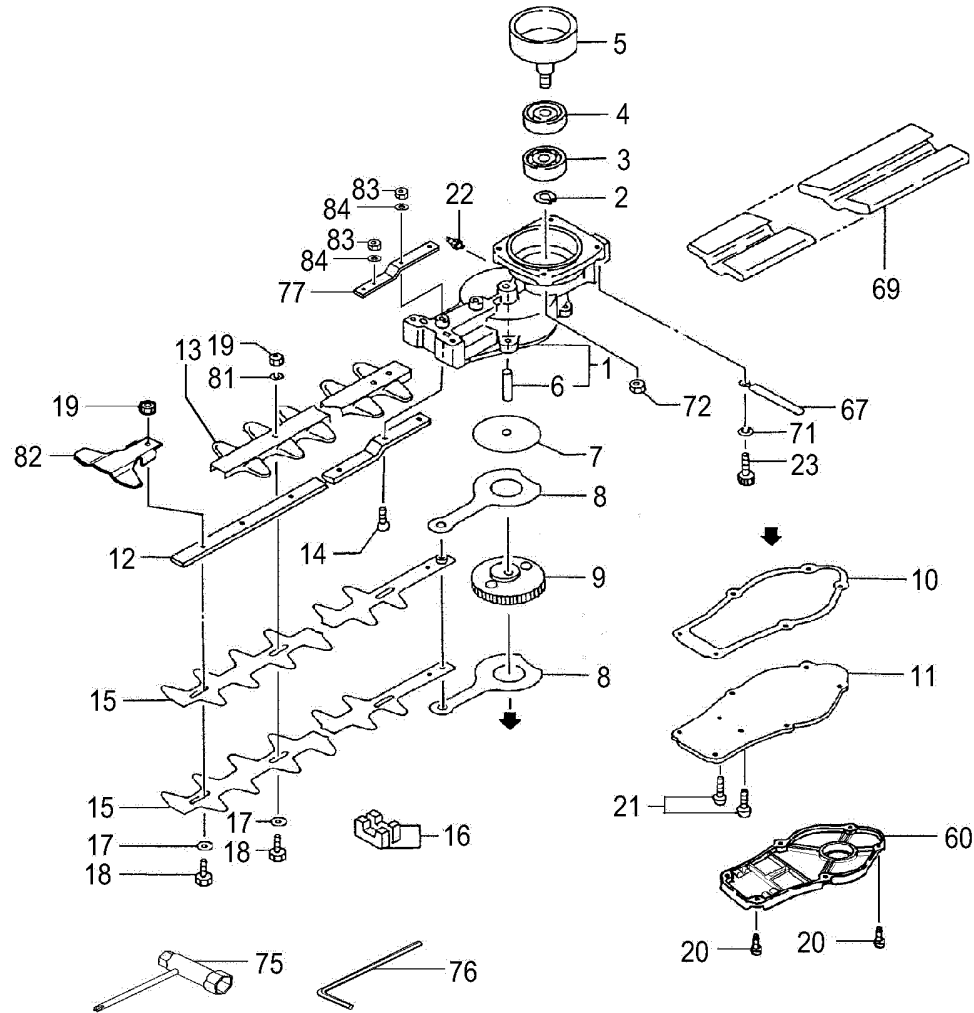


Parts List

Ref.	Part No.	Description	Q'ty	Serial No.
001	300-3317A-80	GEAR CASE COMP.	1	
002	993-50015-002	STOP RING C-15, OUTER	1	
003	999-61600-200	BALL BEARING #6002, 32MM/OD	1	
004	999-61600-202	BALL BEARING #6002Z, 32MM/OD	1	
005	288-33180-80	CLUTCH DRUM COMP.	1	
006	305-33160-20	GEAR SHAFT	1	
007	075-33160-20	GUIDE PLATE	1	
008	101-33190-20	CAM ROD	2	
009	307-33180-20	GEAR 2	1	
010	303-33160-20	GEAR CASE GASKET	1	
011	630-33160-20	GEAR CASE COVER	1	
012	122-33160-21	CUTTER GUIDE, 625MM	1	
013	136-33160-20	PROTECTION PLATE	1	
014	990-52060-165	HEX HOLE FLUSH SCREW 6X16	2	
015	120-33160-22	CUTTER A (591.5L)	2	
016	085-33160-20	GREASE SEAL A	2	
017	129-33202-20	WASHER 7 BLACK	4	
018	124-33202-21	CUTTER FIXING BOLT A	4	
019	123-33202-20	CUTTER FIXING NUT	4	
020	994-61040-124	HEX. HOLE BOLT 4X12S	6	Y322901 -
021	994-61040-104	HEX. HOLE BOLT 4X10S	8	- Y322900
021	994-61040-104	HEX. HOLE BOLT 4X10S	2	Y322901 -
022	300-32250-80	GREASE NIPPLE COMP.	1	
023	990-51060-143	HEX. HOLE BOLT 6X14	2	
060	301-33160-21	GEAR CASE B	1	Y322901 -
067	198-05015-80	CORD CLAMP COMP.	1	
069	138-33168-20	CUTTER COVER	1	
071	992-10060-012	S.WASHER 6	2	
072	994-40060-011	SPRING NUT 6	2	
075	036-29331-50	COMBI. BOX SPANNER 10X19 ,PLUS	1	
076	813-20000-20	HEX. WRENCH 4	1	
081	992-01060-011	WASHER 6	3	

H01
09-1

THT-2100,S GEAR CASE / BLADE (Z295501 -)



Parts List

Ref.	Part No.	Description	Q'ty	Serial No.
001	300-3317A-81	GEAR CASE COMP.	1	
002	993-50015-002	STOP RING C-15, OUTER	1	
003	999-61600-200	BALL BEARING #6002, 32MM/OD	1	
004	999-61600-202	BALL BEARING #6002Z, 32MM/OD	1	
005	288-33180-80	CLUTCH DRUM COMP.	1	
006	305-33160-20	GEAR SHAFT	1	
007	075-33160-20	GUIDE PLATE	1	
008	101-33190-20	CAM ROD	2	
009	307-33180-20	GEAR 2	1	
010	303-33160-20	GEAR CASE GASKET	1	
011	630-33160-20	GEAR CASE COVER	1	
012	122-33178-20	CUTTER GUIDE 625.5L M6	1	
013	136-33160-20	PROTECTION PLATE	1	
014	990-52060-165	HEX HOLE FLUSH SCREW 6X16	2	- A247700
014	990-52060-255	HEX. HOLE FLUSH BOLT 6X25	2	A247701 -
015	120-33160-22	CUTTER A (591.5L)	2	
016	085-33160-20	GREASE SEAL A	2	
017	129-33202-20	WASHER 7 BLACK	4	
018	124-32287-20	FIXING BOLT A M6	4	
019	991-82060-001	FLANGE NUT 6	4	- A247700
019	991-82060-001	FLANGE NUT 6	3	A247701 -
020	994-61040-124	HEX. HOLE BOLT 4X12S	6	
021	994-61040-104	HEX. HOLE BOLT 4X10S	2	
022	300-32250-80	GREASE NIPPLE COMP.	1	
023	990-51060-143	HEX. HOLE BOLT 6X14	2	- A088800
023	994-61060-184	HEX. HOLE BOLT 6X18/S	2	A088801 -
060	301-33160-21	GEAR CASE B	1	
067	198-05015-80	CORD CLAMP COMP.	1	
069	138-33168-20	CUTTER COVER	1	
071	992-10060-012	S.WASHER 6	2	- A088800
072	994-40060-011	SPRING NUT 6	2	
075	036-29331-50	COMBI. BOX SPANNER 10X19 ,PLUS	1	
076	813-20000-20	HEX. WRENCH 4	1	
077	462-33295-20	SUPPORT PLATE	1	A247701 -
SEE NEXT PAGE				

