

H05

Tanaka

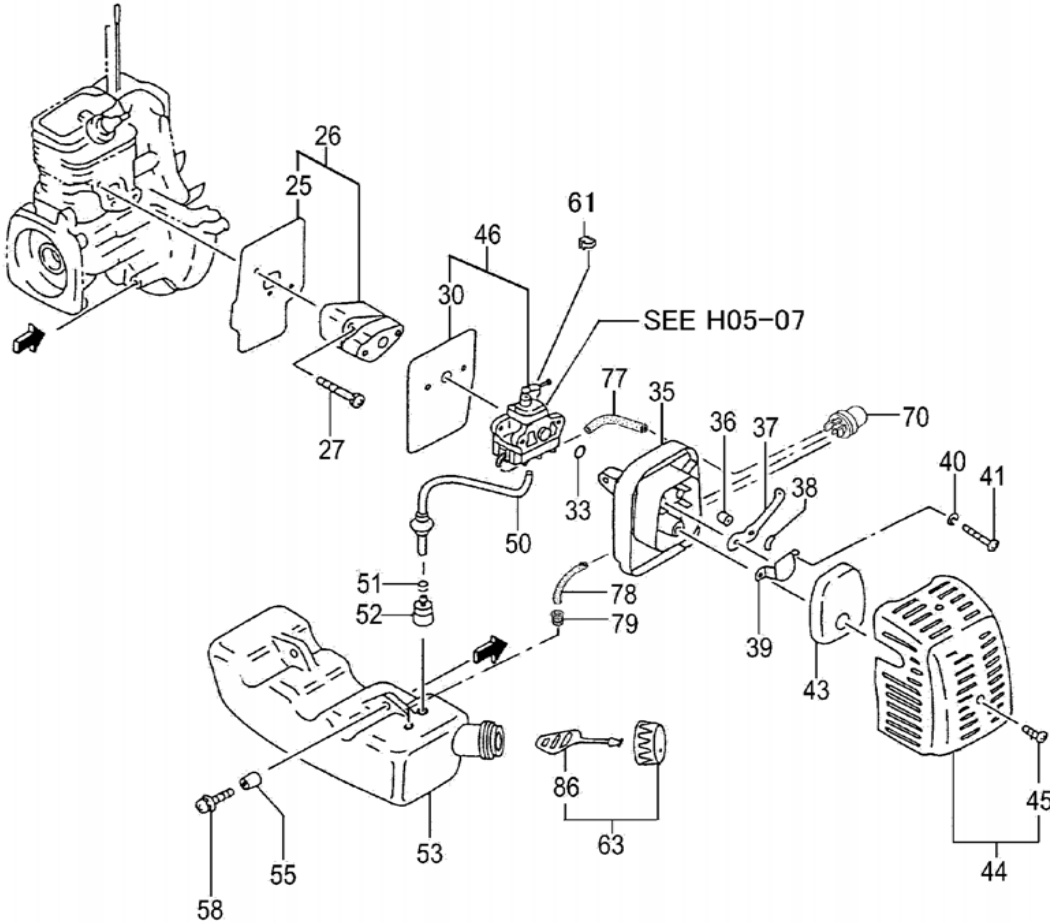
THT 2510/B/S

A partir du numéro de série : **B036000**

01 mars 2005

H05
03

THT-2510,B,S ENGINE-1(SERIAL NO.-B032540)

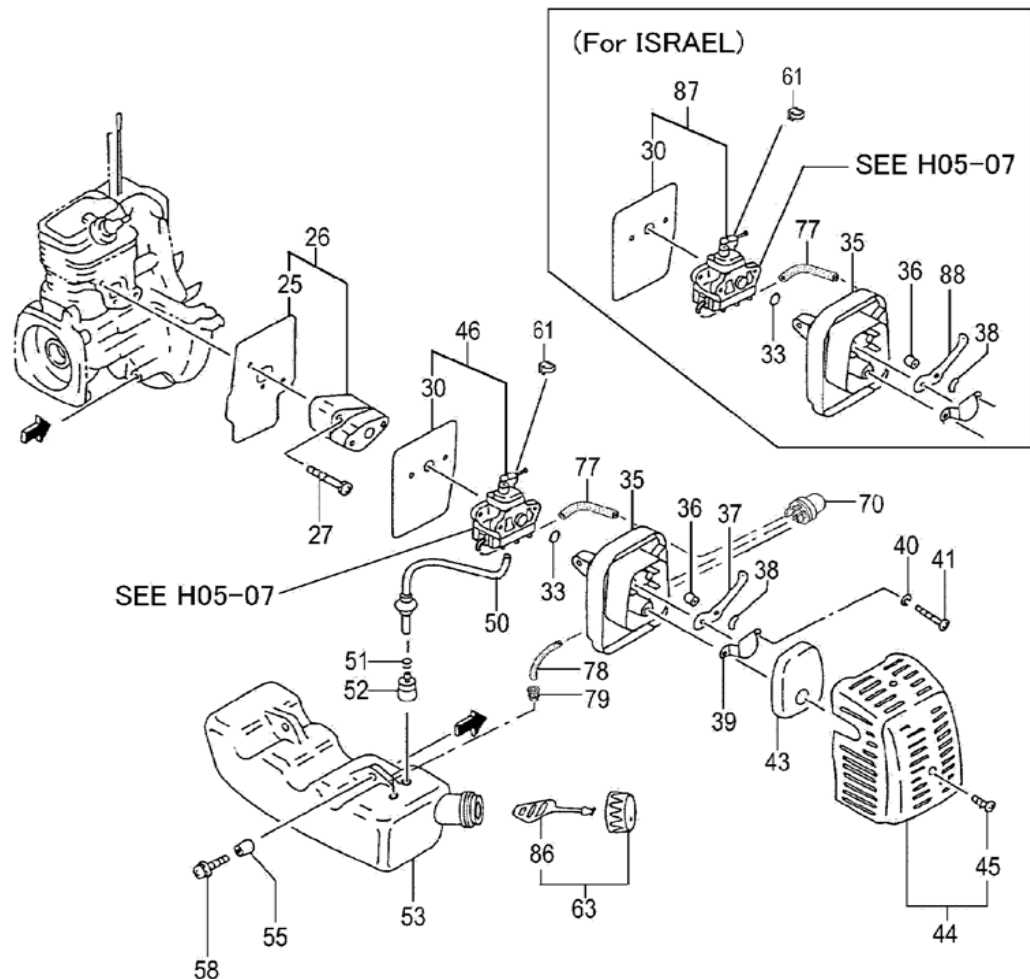


Parts List

Ref.	Part No.	Description	Q'ty	Serial No.
025	403-06500-20	INTAKE PIPE GASKET	1	
026	404-06500-90	CARB. INSULATOR SET, SPARE	1	
027	994-64050-254	HEX. HOLE BOLT 5X25WS	2	
030	402-06500-20	CARBURETOR GASKET	1	
033	999-67015-000	O-RING P-15	1	
035	423-06500-81	CLEANER BODY COMP.	1	
036	470-06500-20	COLLAR 7.5	2	
037	528-06500-20	CHOKE VALVE	1	
038	992-04080-031	WAVE WASHER 8	1	
039	476-01700-20	BLOW OVER CHECK BOARD	1	
040	992-10050-012	S.WASHER 5	2	
041	990-11050-602	SCREW 5X60	2	
043	446-06500-21	CLEANER SPONGE	1	
044	452-06600-91	CLEANER COVER	1	
045	380-0637C-20	SPECIAL SCREW	1	
046	455-06500-90	CARBURETOR SET, SPARE	1	- U025150
046	455-0651E-90	CARBURETOR SET, SPARRE	1	- U050517
046	455-06504-90	CARBRETOR SET WYL112	1	U050518 -
050	223-06500-90	FUEL PIPE ASS'Y L=130	1	
051	680-00731-20	CLIP, 6.3 DIA.	1	
052	675-04042-80	PUMP FILTER BODY COMP.	1	
053	591-06500-21	FUEL TANK	1	- U050517
053	591-06504-21	FUEL TANK	1	U050518 -
055	659-00801-20	COLLAR 5.8	2	
058	994-63050-185	HEX. HOLE BOLT 5X18PS	2	
061	560-07120-20	SWIVEL CAP	1	A138651 -
063	595-00093-90	TANK CAP D ASS'Y ORANGE	1	
070	442-25143-80	PRIMING PUMP COMP.	1	U050518 -
077	700-02504-08	FUEL PIPE 2.5X4X80	1	U050518 -
078	700-02504-07	FUEL PIPE 2.5X4X70	1	U050518 -
079	534-32710-20	RETURN GROMMET	1	U050518 -
086	626-32550-20	TANK CAP CHAIN	1	

H05
04

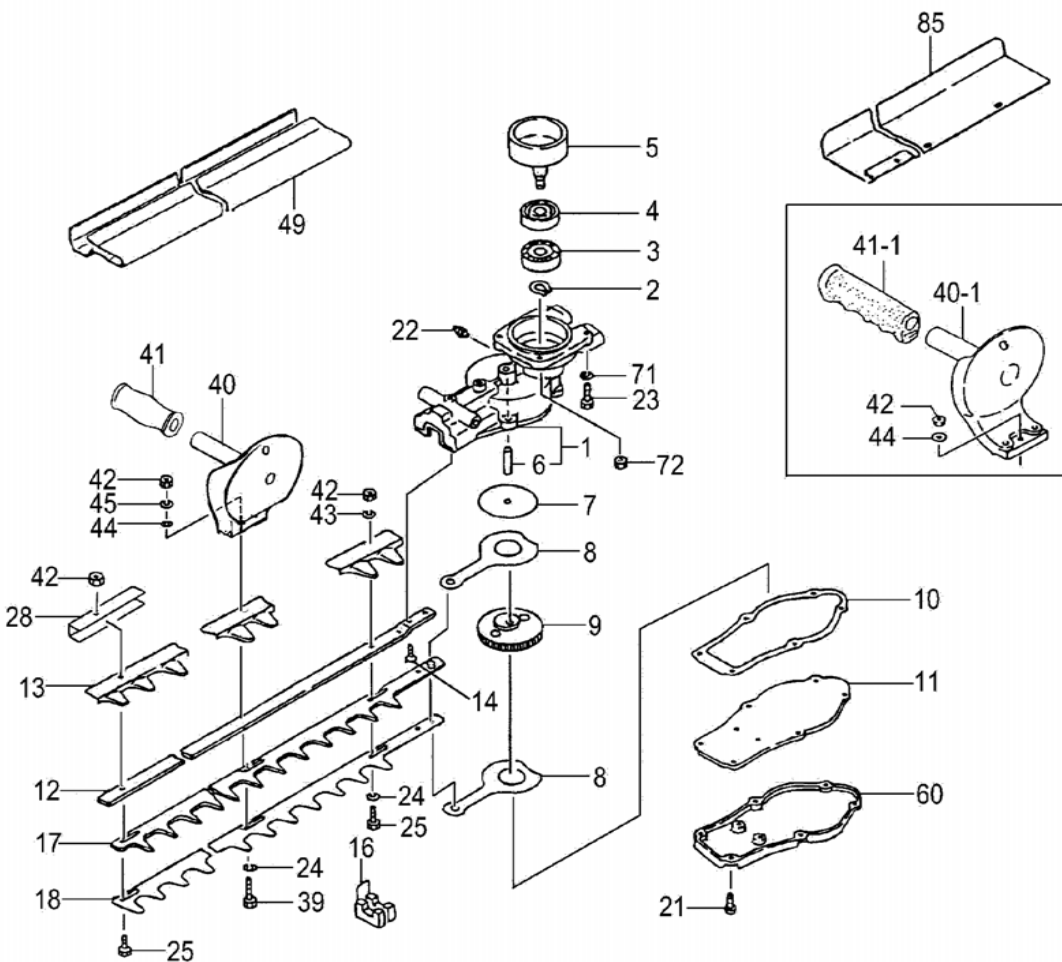
THT-2510,B,S ENGINE-1(SERIAL NO.B032541-)



Parts List

Ref.	Part No.	Description	Q'ty	Serial No.
025	403-06500-20	INTAKE PIPE GASKET	1	
026	404-06500-90	CARB. INSULATOR SET, SPARE	1	
027	994-64050-254	HEX. HOLE BOLT 5X25WS	2	
030	402-06500-20	CARBURETOR GASKET	1	
033	999-67015-000	O-RING P-15	1	
035	423-06500-81	CLEANER BODY COMP.	1	
036	470-06500-20	COLLAR 7.5	2	
037	528-0650T-20	CHOKE VALVE	1	
038	992-04080-031	WAVE WASHER 8	1	
039	476-01700-20	BLOW OVER CHECK BOARD	1	
040	992-10050-012	S.WASHER 5	2	
041	990-11050-602	SCREW 5X60	2	
043	446-06500-21	CLEANER SPONGE	1	
044	452-06600-91	CLEANER COVER	1	
045	380-0637C-20	SPECIAL SCREW	1	
046	455-06504-90	CARBURETOR SET WYL112	1	
050	223-06500-90	FUEL PIPE ASS'Y L=130	1	
051	680-00731-20	CLIP, 6.3 DIA.	1	
052	675-04042-80	PUMP FILTER BODY COMP.	1	
053	591-06504-22	FUEL TANK	1	
055	659-00801-20	COLLAR 5.8	2	
058	994-63050-185	HEX. HOLE BOLT 5X18PS	2	
061	560-07120-20	SWIVEL CAP	1	
063	595-00093-90	TANK CAP D ASS'Y ORANGE	1	
070	442-25143-80	PRIMING PUMP COMP.	1	
077	700-02504-08	FUEL PIPE 2.5X4X80	1	
078	700-02504-07	FUEL PIPE 2.5X4X70	1	
079	534-32710-20	RETURN GROMMET	1	
086	626-32550-20	TANK CAP CHAIN	1	
087	455-06504-90	CARBURETOR SET WYL112	1	
088	528-06500-20	CHOKE VALVE	1	

H05
08-1 **THT-2510,B,S GEAR CASE/BLADE(SERIAL NO. -Z039850)**

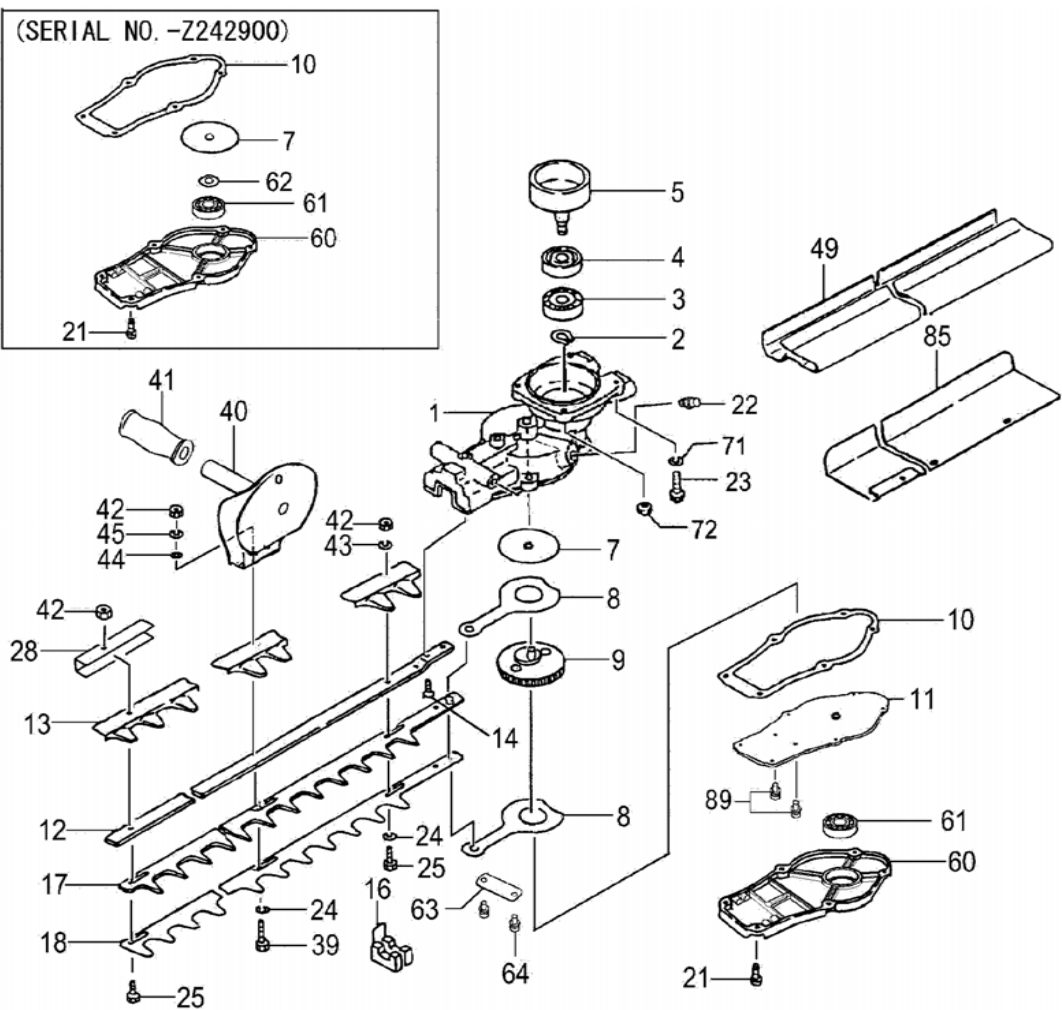


Parts List

Ref.	Part No.	Description	Q'ty	Serial No.
001	300-3318B-81	GEAR CASE COMP.	1	
002	993-50015-002	STOP RING C-15, OUTER	1	
003	999-61600-200	BALL BEARING #6002, 32MM/OD	1	
004	999-61600-202	BALL BEARING #6002Z, 32MM/OD	1	
005	288-33180-80	CLUTCH DRUM COMP.	1	
006	305-33160-20	GEAR SHAFT	1	
007	075-33160-20	GUIDE PLATE	2	
008	101-33190-20	CAM ROD	2	
009	307-33180-20	GEAR 2	1	
010	303-33160-20	GEAR CASE GASKET	1	
011	630-33160-20	GEAR CASE COVER	1	
012	122-33180-21	CUTTER GUIDE, 859MM	1	
013	136-3318B-20	PROTECTION PLATE	1	
014	990-52060-165	HEX HOLE FLUSH SCREW 6X16	2	
016	085-33160-20	GREASE SEAL A	2	
017	121-3315A-20	CUTTER B (820L)	1	
018	120-3315A-20	CUTTER A (820L)	1	
021	994-61040-124	HEX. HOLE BOLT 4X12S	6	
022	300-32250-80	GREASE NIPPLE COMP.	1	
023	990-51060-143	HEX. HOLE BOLT 6X14	2	
024	129-33202-20	WASHER 7 BLACK	4	
025	124-33202-21	CUTTER FIXING BOLT A	4	
028	128-37904-20	BLADE HOLDER	1	
039	125-33202-20	CUTTER FIXING BOLT B	1	
040,1	051-3318B-80	HANDLE B COMP.	1	- V085638
040	051-33185-81	HANDLE B COMP.	1	V085639 -
041,1	165-33130-20	HANDLE GRIP A	1	- V085638
041	165-37590-20	HANDLE GRIP	1	V085639 -
042	123-33202-20	CUTTER FIXING NUT	5	
043	992-01060-011	WASHER 6	4	
044	992-01060-011	WASHER 6	1	
045	992-10060-012	S.WASHER 6	1	V085639 -
049	138-3318B-21	CUTTER COVER	1	
060	301-33160-20	GEAR CASE B	1	
SEE NEXT PAGE				

H05
09-1

THT-2510,B,S GEAR CASE/BLADE(SERIAL NO.-A138650)

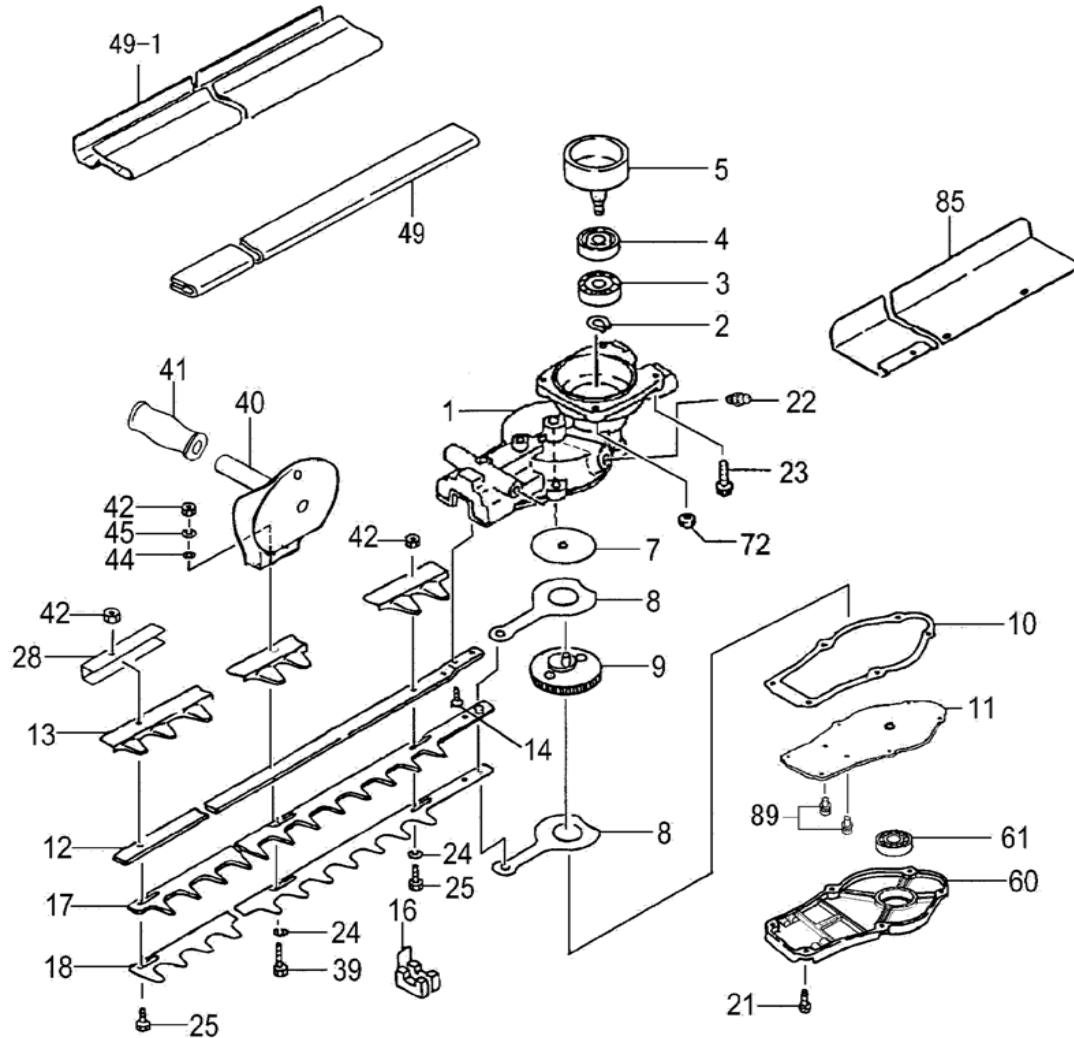


Parts List

Ref.	Part No.	Description	Q'ty	Serial No.
001	300-33195-80	GEAR CASE COMP	1	
002	993-50015-002	STOP RING C-15, OUTER	1	
003	999-61600-200	BALL BEARING #6002, 32MM/OD	1	
004	999-61600-202	BALL BEARING #6002Z, 32MM/OD	1	
005	288-33180-80	CLUTCH DRUM COMP.	1	
007	075-33160-20	GUIDE PLATE	2 - Z242900	
007	075-33160-20	GUIDE PLATE	1	Z242901 -
008	101-33190-20	CAM ROD	2	
009	292-33194-80	GEAR 2 COMP.	1	
010	303-33160-20	GEAR CASE GASKET	1	
011	630-33165-20	GEAR CASE COVER	1	Z242901 -
012	122-33180-21	CUTTER GUIDE, 859MM	1	
013	136-3318B-20	PROTECTION PLATE	1	
014	990-52060-165	HEX HOLE FLUSH SCREW 6X16	2	
016	085-33160-20	GREASE SEAL A	2	
017	121-3315A-20	CUTTER B (820L)	1	
018	120-3315A-20	CUTTER A (820L)	1	
021	994-61040-124	HEX. HOLE BOLT 4X12S	4	
022	300-32250-80	GREASE NIPPLE COMP.	1	
023	990-51060-143	HEX. HOLE BOLT 6X14	2	
024	129-33202-20	WASHER 7 BLACK	4	
025	124-33202-21	CUTTER FIXING BOLT A	4	
028	128-37904-20	BLADE HOLDER	1	
039	125-33202-20	CUTTER FIXING BOLT B	1	
040	051-33185-81	HANDLE B COMP.	1	
041	165-37590-20	HANDLE GRIP	1	
042	123-33202-20	CUTTER FIXING NUT	5	
043	992-01060-011	WASHER 6	4	
044	992-01060-011	WASHER 6	1	
045	992-10060-012	S.WASHER 6	1	
049	138-3318B-21	CUTTER COVER	1	
060	301-33160-21	GEAR CASE B	1	
061	999-61608-013	BALL BEARING 608 ZZ C3	1	
062	034-31200-25	IMPELLER SHAFT SHIM 0.5	1 - Z242900	
SEE NEXT PAGE				

H05
10-1

THT-2510,B,S GEAR CASE/BLADE(SERIAL NO.A138651-)



Parts List

Ref.	Part No.	Description	Q'ty	Serial No.
001	300-33195-81	GEAR CASE COMP.	1	
002	993-50015-002	STOP RING C-15, OUTER	1	
003	999-61600-200	BALL BEARING #6002, 32MM/OD	1	
004	999-61600-202	BALL BEARING #6002Z, 32MM/OD	1	
005	288-33180-80	CLUTCH DRUM COMP.	1	
007	075-33160-20	GUIDE PLATE	1	
008	101-33190-20	CAM ROD	2	
009	292-33194-80	GEAR 2 COMP.	1	
010	303-33160-20	GEAR CASE GASKET	1	
011	630-33165-20	GEAR CASE COVER	1	
012	122-33158-20	CUTTER GUIDE 858L M6	1	
013	136-3318B-20	PROTECTION PLATE	1	- B032540
014	990-52060-165	HEX HOLE FLUSH SCREW 6X16	2	
016	085-33160-20	GREASE SEAL A	2	
017	121-3315A-20	CUTTER B (820L)	1	
018	120-3315A-20	CUTTER A (820L)	1	
021	994-61040-124	HEX. HOLE BOLT 4X12S	4	
022	300-32250-80	GREASE NIPPLE COMP.	1	
023	994-61060-184	HEX. HOLE BOLT 6X18/S	2	
024	129-33202-20	WASHER 7 BLACK	4	
025	124-32287-20	FIXING BOLT A M6	4	
028	128-37904-20	BLADE HOLDER	1	- B032540
028	128-33202-20	BLADE HOLDER	1	B032541 -
039	125-33285-20	FIXING BOLT B M6	1	
040	051-33185-81	HANDLE B COMP.	1	
041	165-37590-20	HANDLE GRIP	1	
042	991-82060-001	FLANGE NUT 6	5	
044	992-01060-011	WASHER 6	1	
045	992-10060-012	S.WASHER 6	1	
049,1	138-3318B-21	CUTTER COVER	1	- B032540
049	138-33215-20	CUTTER COVER, L-773	1	B032541 -
060	301-33160-21	GEAR CASE B	1	
061	999-61608-013	BALL BEARING 608 ZZ C3	1	
072	994-40060-011	SPRING NUT 6	2	
SEE NEXT PAGE				

