

**H37**

***Tanaka***

**THT 210TS**

A partir du numéro de série : **B038900**

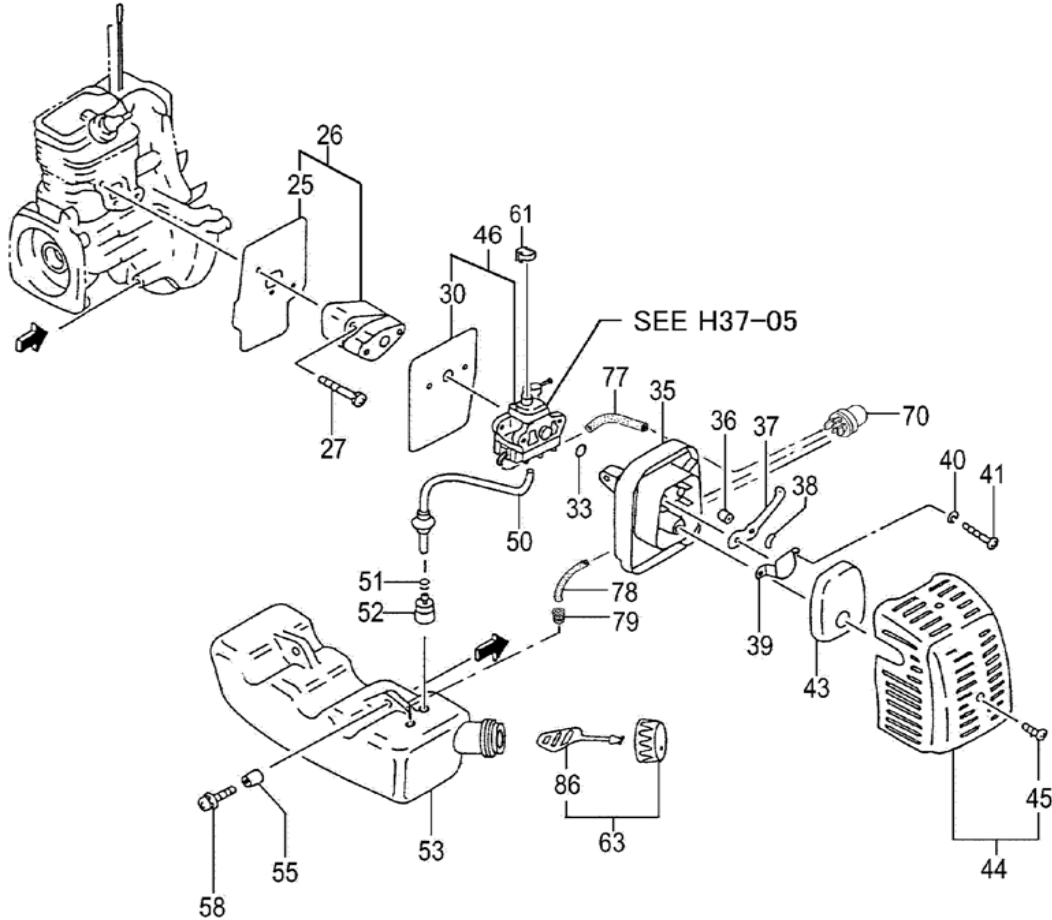
*01 février 2005*





H37  
03

**THT-210TS ENGINE-1**



**Parts List**

Ref.	Part No.	Description	Q'ty	Serial No.
025	403-06500-20	INTAKE PIPE GASKET	1	
026	404-06500-90	CARB. INSULATOR SET, SPARE	1	
027	994-64050-254	HEX. HOLE BOLT 5X25WS	2	
030	402-06500-20	CARBURETOR GASKET	1	
033	999-67015-000	O-RING P-15	1	
035	423-06500-81	CLEANER BODY COMP.	1	
036	470-06500-20	COLLAR 7.5	2	
037	528-06500-20	CHOKE VALVE	1	- B026000
037	528-0650T-20	CHOKE VALVE	1	B026001 -
038	992-04080-031	WAVE WASHER 8	1	
039	476-01700-20	BLOW OVER CHECK BOARD	1	
040	992-10050-012	S.WASHER 5	2	
041	990-11050-602	SCREW 5X60	2	
043	446-06500-21	CLEANER SPONGE	1	
044	452-06500-91	CLEANER COVER ASS'Y	1	
045	380-0637C-20	SPECIAL SCREW	1	
046	455-06504-90	CARBURETOR SET WYL112	1	- B026000
046	455-0651A-90	CARBURETOR SET, WYL120	1	B026001 -
050	223-06500-90	FUEL PIPE ASS'Y L=130	1	
051	680-00731-20	CLIP, 6.3 DIA.	1	
052	675-04042-80	PUMP FILTER BODY COMP.	1	
053	591-06504-22	FUEL TANK	1	
055	659-00801-20	COLLAR 5.8	2	
058	994-63050-185	HEX. HOLE BOLT 5X18PS	2	
061	560-07120-20	SWIVEL CAP	1	A137101 -
063	595-00093-90	TANK CAP D ASS'Y. ORANGE	1	
070	442-25143-80	PRIMING PUMP COMP.	1	
077	700-02504-08	FUEL PIPE 2.5X4X80	1	
078	700-02504-07	FUEL PIPE 2.5X4X70	1	
079	534-32710-20	RETURN GROMMET	1	
086	626-32550-20	TANK CAP CHAIN	1	



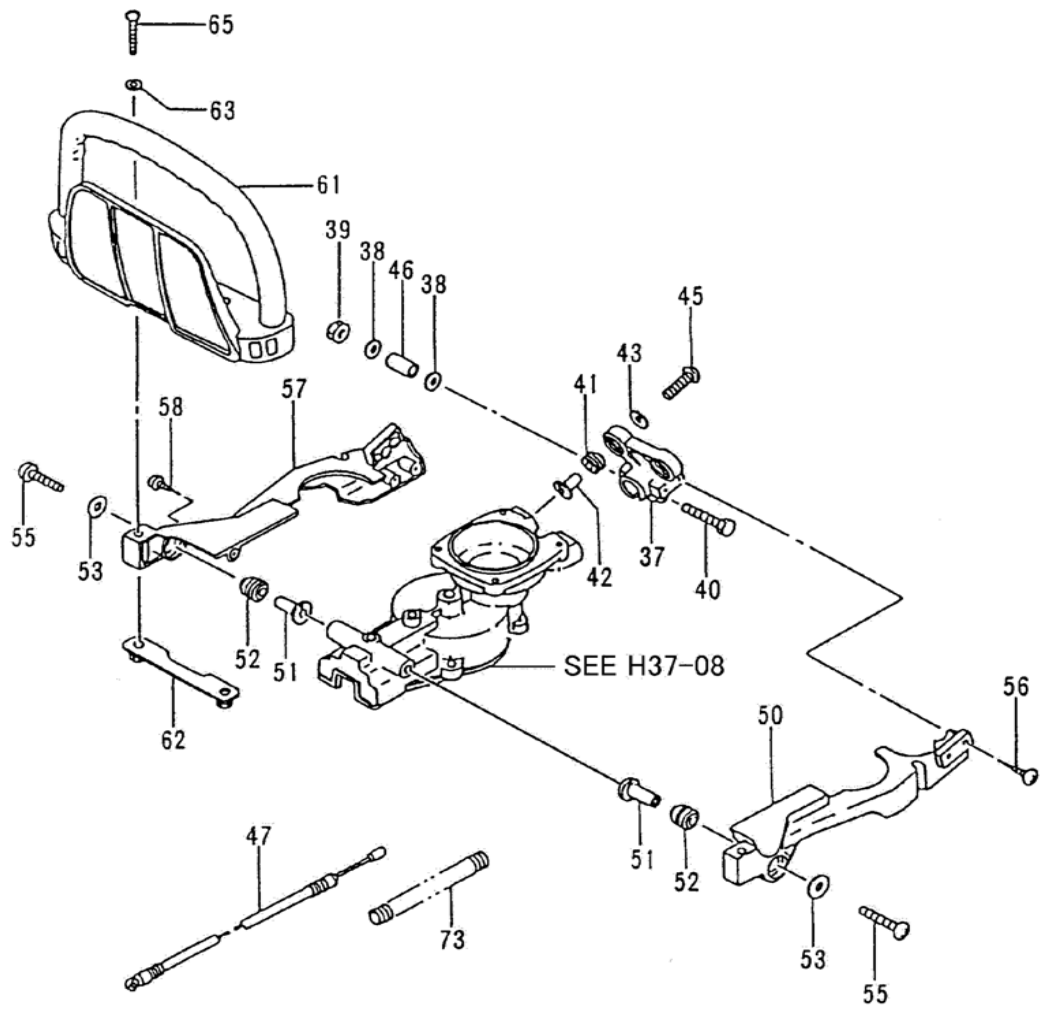


H37  
06

# THT-210TS FRONT HANDLE

## Parts List

Ref.	Part No.	Description	Q'ty	Serial No.
037	058-33160-20	HANDLE BRACKET	1	
038	992-00060-011	SMALL WASHER 6	2	
039	991-01060-011	NUT 6	1	
040	990-21060-501	BOLT 6X50	1	
041	266-32750-20	DAMPER B	2	
042	276-32710-20	DAMPER COLLAR B	2	
043	368-32057-20	BRAKE SHAFT WASHER	2	
045	994-14050-301	SCREW 5X30/S	2	
046	294-33160-21	COLLAR 16	1	
047	885-06500-80	THROTTLE WIRE, 3.9T	1	
050	249-33160-20	CLAMP BODY A	1	
051	276-32710-20	DAMPER COLLAR B	2	
052	266-32750-20	DAMPER B	2	
053	368-32057-20	BRAKE SHAFT WASHER	2	
055	994-14050-301	SCREW 5X30/S	2	
056	990-73045-124	TAPPING SCREW 4.5X12	4	
057	250-33160-20	CLAMP BODY B	1	
058	990-73045-124	TAPPING SCREW 4.5X12	1	
061	210-33160-22	FRONT HANDLE	1	
062	040-33160-80	HANDLE SUPPORT COMP.	1	
063	992-01050-011	WASHER 5	2	
065	994-14050-401	SCREW 5X40/S	2	
073	164-07007-00	SPLIT PROTECTION TUBE,7X70L	1	

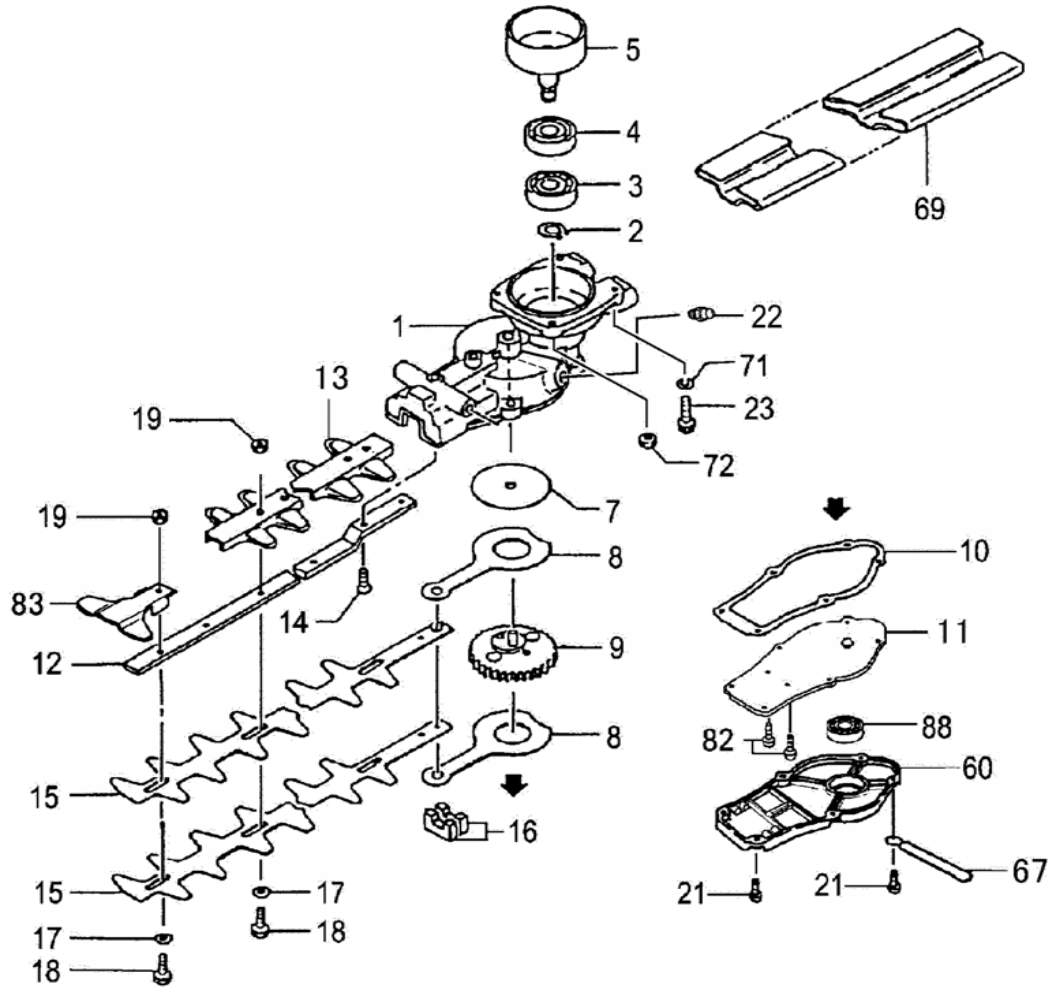






H37  
08

# THT-210TS GEAR CASE / BLADE



## Parts List

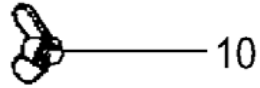
Ref.	Part No.	Description	Q'ty	Serial No.
001	300-33194-81	GEAR CASE COMP.	1	
002	993-50015-002	STOP RING C-15, OUTER	1	
003	999-61600-200	BALL BEARING #6002, 32MM/OD	1	
004	999-61600-202	BALL BEARING #6002Z, 32MM/OD	1	
005	288-33180-80	CLUTCH DRUM COMP.	1	
007	075-33160-20	GUIDE PLATE	1	
008	101-33190-20	CAM ROD	2	
009	292-33194-80	GEAR 2 COMP.	1	
010	303-33160-20	GEAR CASE GASKET	1	
011	630-33165-20	GEAR CASE COVER	1	
012	122-33248-20	CUTTER GUIDE 734L M6	1	
013	136-33160-20	PROTECTION PLATE	1	
014	990-52060-165	HEX HOLE FLUSH SCREW 6X16	2	
015	120-33168-21	CUTTER A (696.5L)	2	
016	085-33160-20	GREASE SEAL A	2	
017	129-33202-20	WASHER 7 BLACK	5	
018	124-32287-20	FIXING BOLT A M6	5	
019	991-82060-001	FLANGE NUT 6	5	
021	994-61040-124	HEX. HOLE BOLT 4X12S	6	
022	300-32250-80	GREASE NIPPLE COMP.	1	
023	990-51060-143	HEX. HOLE BOLT 6X14	2	- A137100
023	994-61060-184	HEX. HOLE BOLT 6X18/S	2	A137101 -
060	301-33160-21	GEAR CASE B	1	
067	198-11600-80	CORD CLAMP COMP.	1	
069	138-33171-20	CUTTER COVER	1	
071	992-10060-012	S.WASHER 6	2	- A137100
072	994-40060-011	SPRING NUT 6	2	
082	994-61040-104	HEX. HOLE BOLT 4X10S	2	
083	135-33191-20	GUARD PLATE	1	
088	999-61608-013	BALL BEARING 608 ZZ C3	1	

H37  
09

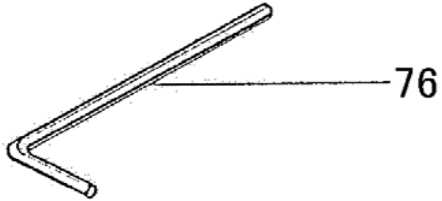
## THT-210TS TOOLS & OPTIONAL PARTS

### Parts List

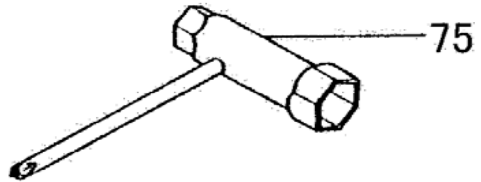
Ref.	Part No.	Description	Q'ty	Serial No.
010	991-61060-011	WING NUT 6	1	
075	036-29331-50	COMBI. BOX SPANNER 10X19 ,PLUS	1	
076	813-20000-20	HEX. WRENCH 4	1	



10



76



75