

**S11**

***Tanaka***

**THB THV**

A partir du numéro de série : **B035500**

*16 février 2005*

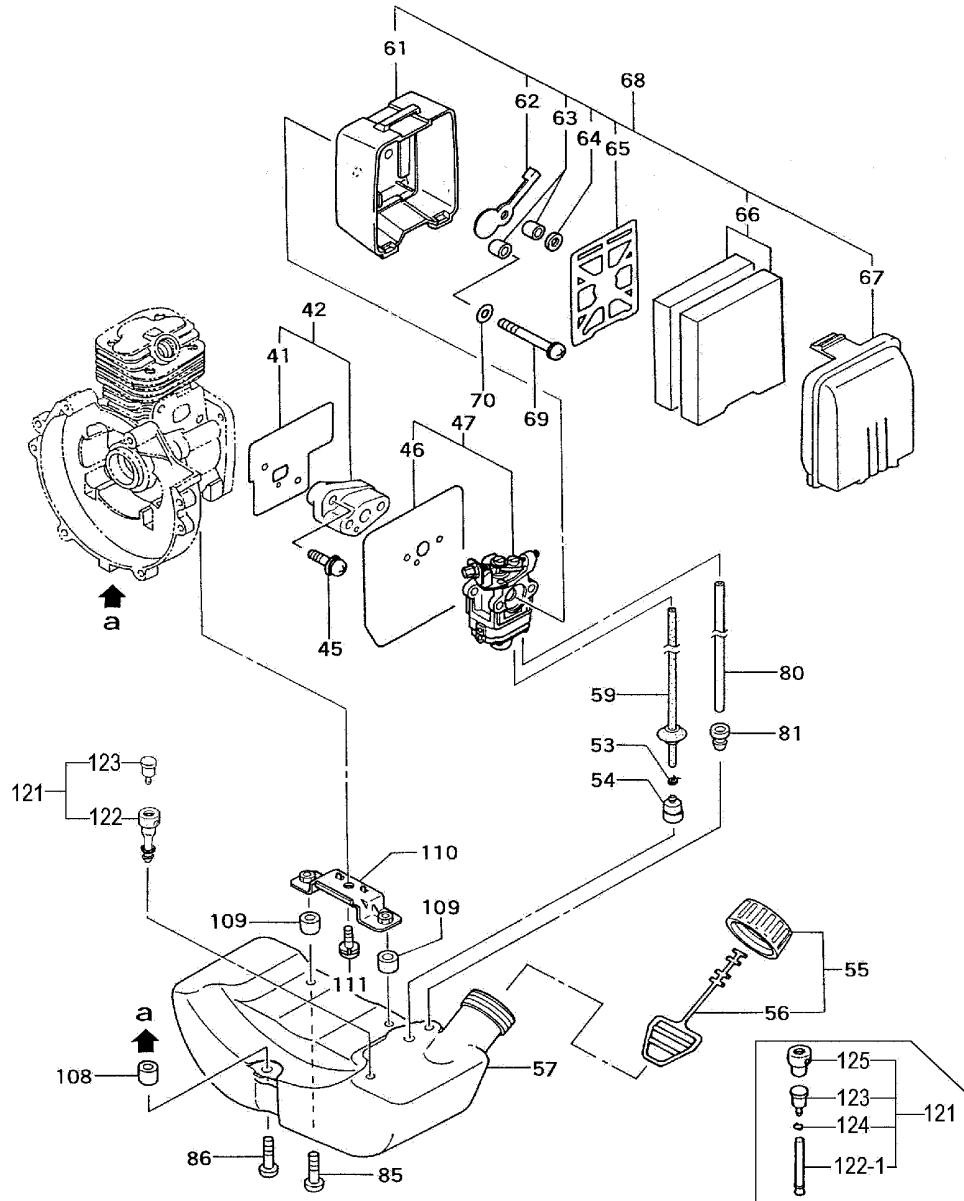




S11  
03-1

# THB-2510,V,VS,N THV,200,200S ENGINE-1

## Parts List



| Ref.          | Part No.      | Description            | Q'ty | Serial No. |
|---------------|---------------|------------------------|------|------------|
| 041           | 403-06590-20  | INLET MANIFOLD GASKET  | 1    |            |
| 042           | 404-06580-90  | INSULATOR SET          | 1    |            |
| 045           | 994-16050-241 | SCREW 5X24WS           | 2    |            |
| 046           | 402-06590-20  | CARBURETOR GASKET      | 1    |            |
| 047           | 455-06581-90  | CARBURETOR SET         | 1    | - B025700  |
| 047           | 455-06580-90  | CARBURETOR SET, SPARE  | 1    | B025701 -  |
| 053           | 680-00731-20  | CLIP, 6.3 DIA.         | 1    |            |
| 054           | 675-04042-80  | PUMP FILTER BODY COMP. | 1    |            |
| 055           | 595-00072-90  | TANK CAP A'SSY         | 1    |            |
| 056           | 626-32550-20  | TANK CAP CHAIN         | 1    |            |
| 057           | 591-06591-20  | FUEL TANK, VERMILION   | 1    |            |
| 059           | 223-0097A-90  | FUEL PIPE ASS'Y        | 1    |            |
| 061           | 423-06591-20  | AIR CLEANER BODY       | 1    |            |
| 062           | 493-06590-20  | CHOKE VALVE            | 1    |            |
| 063           | 470-0602K-20  | COLLAR                 | 2    |            |
| 064           | 453-0602K-20  | SPACER                 | 1    |            |
| 065           | 476-0634C-20  | BLOW OVER CHECK BOARD  | 1    |            |
| 066           | 446-0634C-20  | CLEANER SPONGE         | 2    |            |
| 067           | 424-06590-20  | CLEANER CAP            | 1    |            |
| 068           | 410-06590-91  | AIR CLEANER ASS'Y      | 1    |            |
| 069           | 994-14050-571 | SCREW 5X57/S           | 2    |            |
| 070           | 992-00050-011 | SMALL WASHER 5         | 2    |            |
| 080           | 700-03005-08  | FUEL PIPE 3X5X80       | 1    |            |
| 081           | 534-32710-20  | RETURN GROMMET         | 1    |            |
| 085           | 994-15040-182 | SCREW 4X18/PS          | 2    |            |
| 086           | 994-15050-162 | SCREW 5X16/PS          | 1    |            |
| 108           | 659-00801-20  | COLLAR 5.8             | 1    |            |
| 109           | 659-06410-20  | COLLAR                 | 2    |            |
| 110           | 653-31850-80  | FUEL TANK BRACKET      | 1    |            |
| 111           | 994-14060-141 | SCREW 6X14S            | 1    |            |
| 121           | 564-06611-90  | AIR VENT ASS'Y         | 1    |            |
| 122,1         | 405-36152-22  | AIR VENT PIPE          | 1    | - V111506  |
| 122           | 565-04410-20  | AIR VENT PIPE          | 1    | V111507 -  |
| 123           | 646-06612-90  | AIR VENT VALVE ASS'Y   | 1    |            |
| SEE NEXT PAGE |               |                        |      |            |





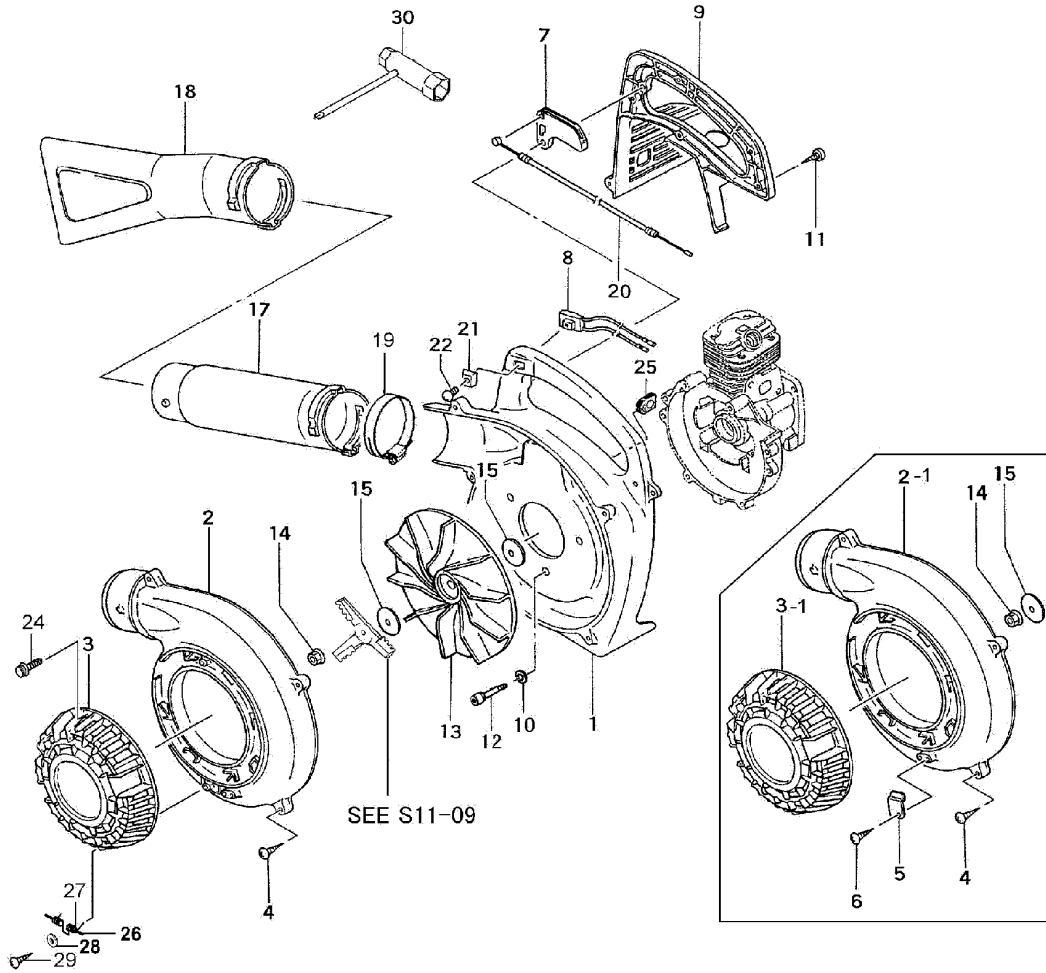






S11  
07

**THB-2510,V,VS,N THV,200,200S BLOWER (THB-2510N,VS)**



**Parts List**

| Ref.  | Part No.      | Description                   | Q'ty | Serial No. |
|-------|---------------|-------------------------------|------|------------|
| 001   | 010-31800-81  | FAN CASE E. COMP.             | 1    |            |
| 002,1 | 052-31851-80  | VOLUTE CASE COMP.             | 1    | - W003560  |
| 002   | 052-31852-80  | VOLUTE CASE                   | 1    | W003561 -  |
| 003,1 | 050-31800-20  | DUST COVER                    | 1    | - W003560  |
| 003   | 050-31850-20  | DUST COVER                    | 1    | W003561 -  |
| 004   | 993-11052-012 | TAPPING SCREW 5X20            | 5    |            |
| 005   | 422-31800-20  | HOLDER PLATE                  | 1    | - W003560  |
| 006   | 990-72050-144 | TAPPING SCREW 5X14            | 1    | - W003560  |
| 007   | 013-31800-20  | THROTTLE LEVER                | 1    |            |
| 008   | 170-31800-80  | STOP SWITCH ASS'Y             | 1    |            |
| 009   | 738-31800-21  | MUFFLER PROTECTOR             | 1    |            |
| 010   | 992-10050-062 | S.WASHER 5                    | 4    | U035659 -  |
| 011   | 993-11052-012 | TAPPING SCREW 5X20            | 6    |            |
| 012   | 994-14050-352 | SCREW 5X35/S                  | 4    | - U035658  |
| 012   | 990-51050-353 | HEX. HOLE BOLT 5X35           | 4    | U035659 -  |
| 013   | 127-31850-20  | FAN                           | 1    | - V260836  |
| 013   | 127-31850-21  | FAN                           | 1    | V260837 -  |
| 014   | 991-01080-011 | HEX. NUT 8                    | 1    |            |
| 015   | 027-31800-20  | SPAECIAL WASHER               | 2    |            |
| 017   | 269-31851-20  | STRAIGHT PIPE                 | 2    |            |
| 018   | 273-31851-20  | FAN HEADED PIPE               | 1    |            |
| 019   | 466-05015-80  | CLEANER BAND COMP.            | 1    | V150349 -  |
| 020   | 885-06590-80  | THROTTLE WIRE COMP.           | 1    |            |
| 021   | 258-11600-20  | BUTTON STOP                   | 1    |            |
| 022   | 994-31030-101 | SCREW 3X10                    | 1    |            |
| 024   | 380-31850-20  | SPECIAL KNOB                  | 1    | W003561 -  |
| 025   | 203-06590-20  | GROMMET                       | 1    |            |
| 026   | 053-31850-20  | COVER PIN                     | 1    | W003561 -  |
| 027   | 790-31850-20  | SPRING                        | 1    | W003561 -  |
| 028   | 992-01050-001 | *WASHER 5                     | 1    | W003561 -  |
| 029   | 993-11051-501 | TAPPING SCREW 5X15            | 1    | W003561 -  |
| 030   | 829-20000-80  | COMBI BOX SPANNER 13X19 ,PLUS | 1    |            |
|       |               |                               |      |            |
|       |               |                               |      |            |
|       |               |                               |      |            |





