

S34

Tanaka

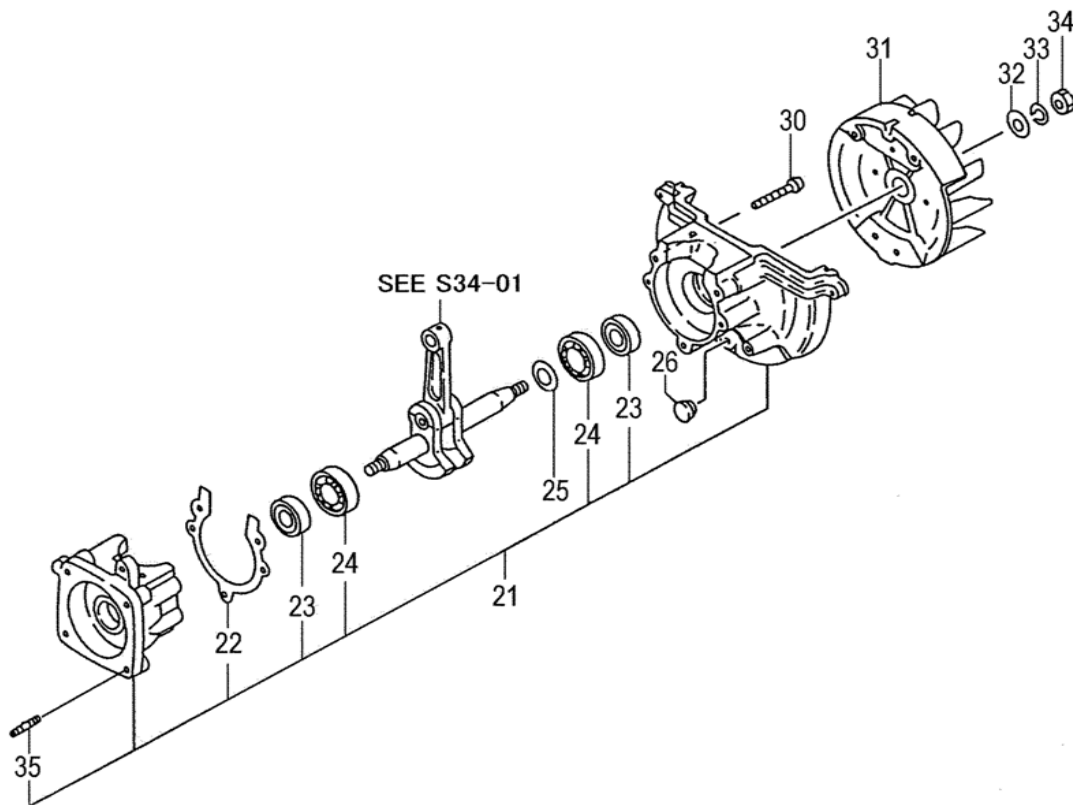
TED 250RS

A partir du numéro de série : **B014000**

13 janvier 2005

S34
02

TED-250RS, CRANK CASE

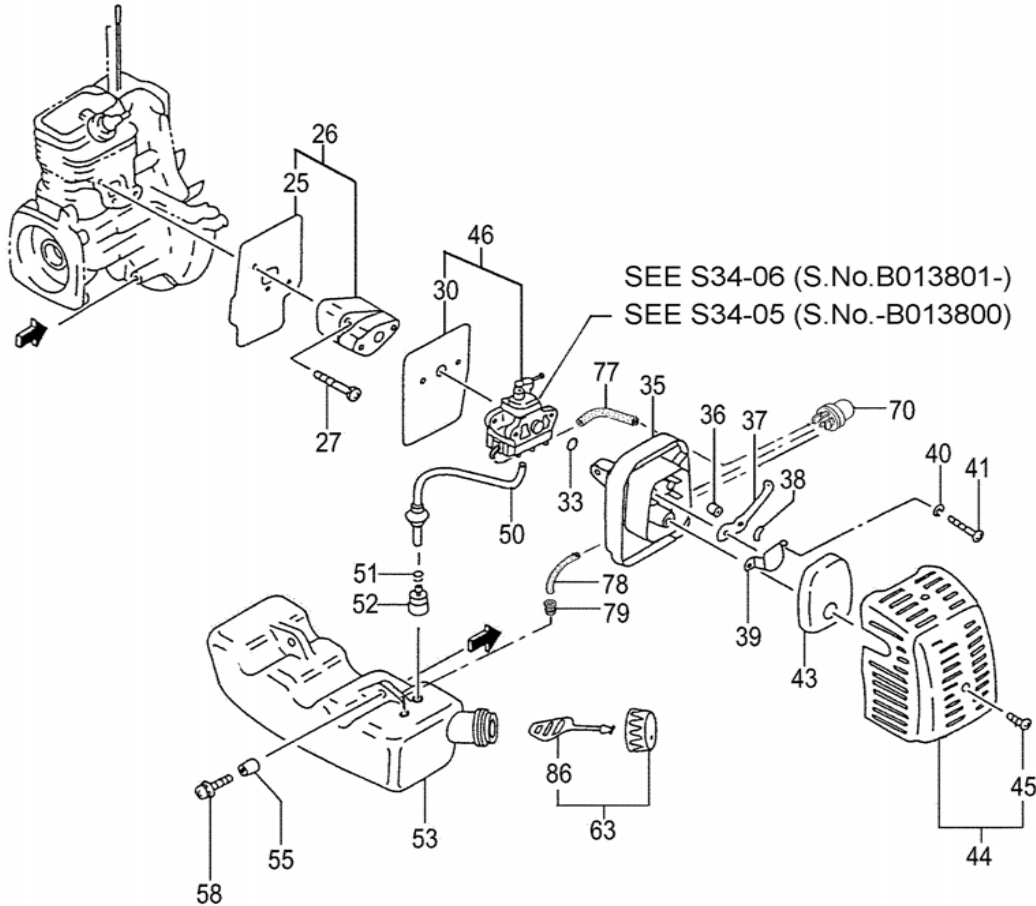


Parts List

Ref.	Part No.	Description	Q'ty	Serial No.
021	072-06502-90	CRANKCASE ASS'Y	1	
022	090-06500-20	CRANKCASE GASKET	1	
023	999-66122-200	OIL SEAL TB 12227	2	
024	999-61600-115	BALL BEARING 6001 C3	2	
025	330-00200-21	GEAR SHAFT SHIM 0.10	V	
025	330-00200-22	GEAR SHAFT SHIM 0.15	V	
025	330-00200-23	GEAR SHAFT SHIM 0.20	V	
025	330-00200-24	GEAR SHAFT SHIM 0.30	V	
026	599-00601-20	GROMMET	1	
030	994-61050-304	HEX. HOLE BOLT 5X30S	3	
031	155-21523-80	MAGNETO ROTOR COMP.	1	
032	992-01080-011	WASHER 8	1	
033	992-10080-012	S.WASHER 8	1	
034	991-01080-011	HEX. NUT 8	1	
035	100-12000-20	STUD BOLT 6X26	2	

S34
03

TED-250RS, ENGINE-1

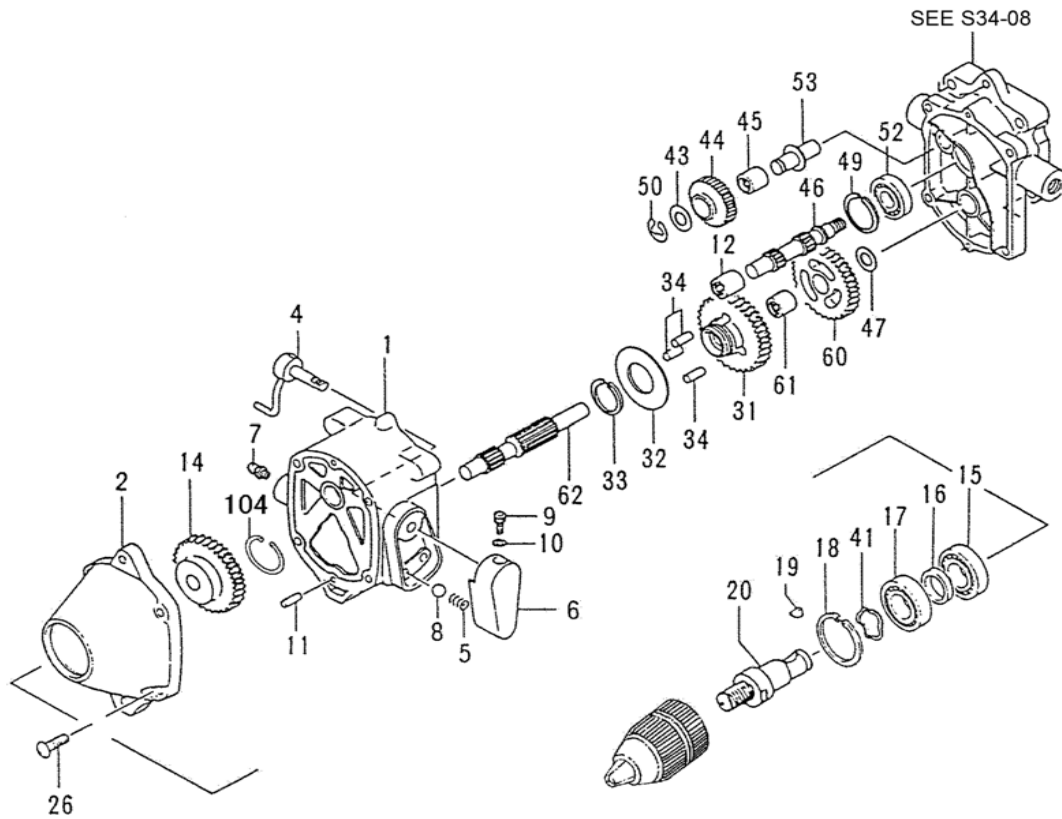


Parts List

Ref.	Part No.	Description	Q'ty	Serial No.
025	403-06500-20	INTAKE PIPE GASKET	1	
026	404-06500-90	CARB. INSULATOR SET, SPARE	1	
027	994-64050-254	HEX. HOLE BOLT 5X25WS	2	
030	402-06500-20	CARBURETOR GASKET	1	
033	999-67015-000	O-RING P-15	1	
035	423-06500-81	CLEANER BODY COMP.	1	
036	470-06500-20	COLLAR 7.5	2	
037	528-06500-20	CHOKE VALVE	1	
038	992-04080-031	WAVE WASHER 8	1	
039	476-01700-20	BLOW OVER CHECK BOARD	1	
040	992-10050-012	S.WASHER 5	2	
041	990-11050-602	SCREW 5X60	2	
043	446-06500-21	CLEANER SPONGE	1	
044	452-06600-91	CLEANER COVER	1	
045	380-0637C-20	SPECIAL SCREW	1	
046	455-06504-90	CARBURETOR SET WYL112	1	- B013800
046	455-0660A-90	CARBURETOR SET	1	B013801 -
050	223-06500-90	FUEL PIPE ASS'Y L=130	1	
051	680-00731-20	CLIP, 6.3 DIA.	1	
052	675-04042-80	PUMP FILTER BODY COMP.	1	
053	591-06504-22	FUEL TANK	1	
055	659-00801-20	COLLAR 5.8	2	
058	994-63050-185	HEX. HOLE BOLT 5X18PS	2	
061	560-07120-20	SWIVEL CAP	1	
063	595-00093-90	TANK CAP D ASS'Y. ORANGE	1	
070	442-25143-80	PRIMING PUMP COMP.	1	
077	700-02504-08	FUEL PIPE 2.5X4X80	1	
078	700-02504-07	FUEL PIPE 2.5X4X70	1	
079	534-32710-20	RETURN GROMMET	1	
086	626-32550-20	TANK CAP CHAIN	1	

S34
07-1

TED-250RS, GEAR CASE



Parts List

Ref.	Part No.	Description	Q'ty	Serial No.
001	002-32141-20	GEAR CASE A	1	
002	006-3210A-80	GEAR CASE B COMP.	1	
004	089-32141-80	SHIFT FORK COMP.	1	
005	106-32141-20	SHIFT GUIDE SPRING	1	
006	108-32141-20	SHIFT LEVER	1	
007	300-32250-80	GREASE NIPPLE COMP.	1	
008	673-35600-20	STEEL BALL	1	
009	990-51040-083	HEX. HOLE BOLT 4X8	1	
010	992-01040-011	WASHER 4	1	
011	999-05041-201	KNOCK PIN 4X12	2	
012	999-62091-211	NEEDLE BRG TLA912 1.5X5.8	1	
014	018-32182-20	GEAR 4	1	
015	999-61720-221	BALL BEARING #7202B, 35MM/OD	1	
016	040-32120-20	BEARING WASHER	1	
017	999-61620-202	BALL BEARING #6202Z, 35MM/OD	1	
018	993-51035-002	STOP RING C-35, INNER	1	
019	068-01006-20	WOOD-RUFF KEY 3X13X5	1	
020	022-32183-20	DRIVE SHAFT	1	
026	994-14050-181	SCREW 5X18/S	4	
031	060-32141-20	FORWARD GEAR	1	
032	140-32141-20	THRUST WASHER 2	1	
033	993-57200-002	STOP RING 20, INNER	1	
034	999-05061-200	NEEDLE ROLLER 6X18	3	
041	992-09350-030	WAVE WASHER B.B 35	1	
043	141-32141-20	THRUST WASHER 0.8	1	
044	059-32141-20	IDLE GEAR	1	
045	999-62091-211	NEEDLE BRG TLA912 1.5X5.8	1	
046	062-32141-20	INPUT SHAFT	1	
047	141-32141-20	THRUST WASHER 0.8	1	
049	993-51024-002	STOP RING C-24, INNER	1	
050	993-55080-001	E TYPE STOP RING 8	1	
052	999-61609-002	BALL BEARING 609Z ST	1	
053	058-32141-20	IDLE SHAFT	1	
060	061-32141-20	REVERSE GEAR	1	
		SEE NEXT PAGE		

