

LM2153CMD

Spare parts

Ersatzteile

Pièces détachées

Reserve onderdelen

Repuestos

Reservdelar

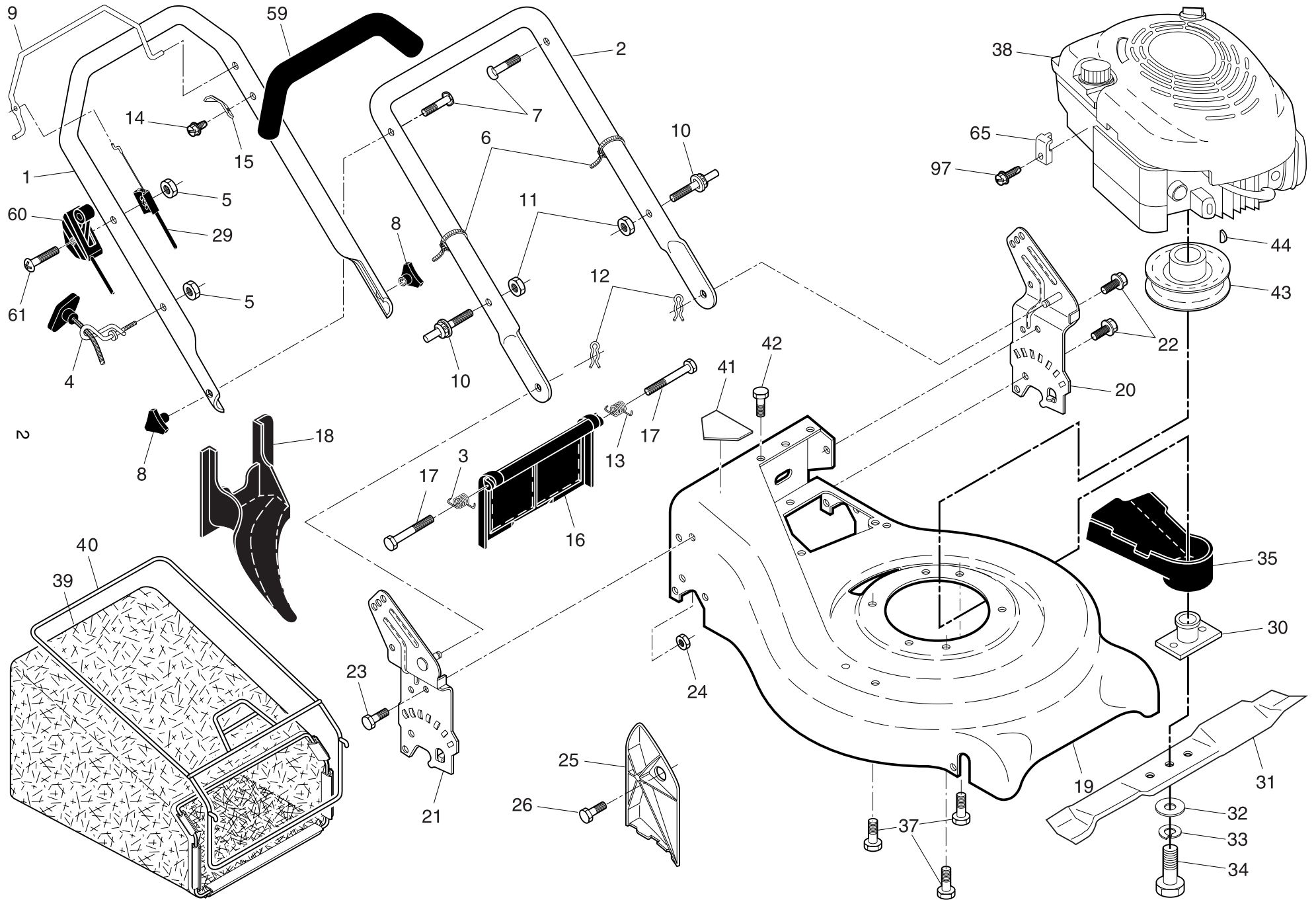
ILLUSTRATED PARTS LIST

MODEL NUMBER LM2153CMD

PRODUCT NUMBER 961 41 01-01

MFG. ID. NUMBER 96141010100

ROTARY LAWN MOWER - - MODEL NUMBER LM2153CMD (96141010100) PRODUCT NUMBER 961 41 01-01



ROTARY LAWN MOWER - - MODEL NUMBER **LM2153CMD** (96141010100) PRODUCT NUMBER 961 41 01-01

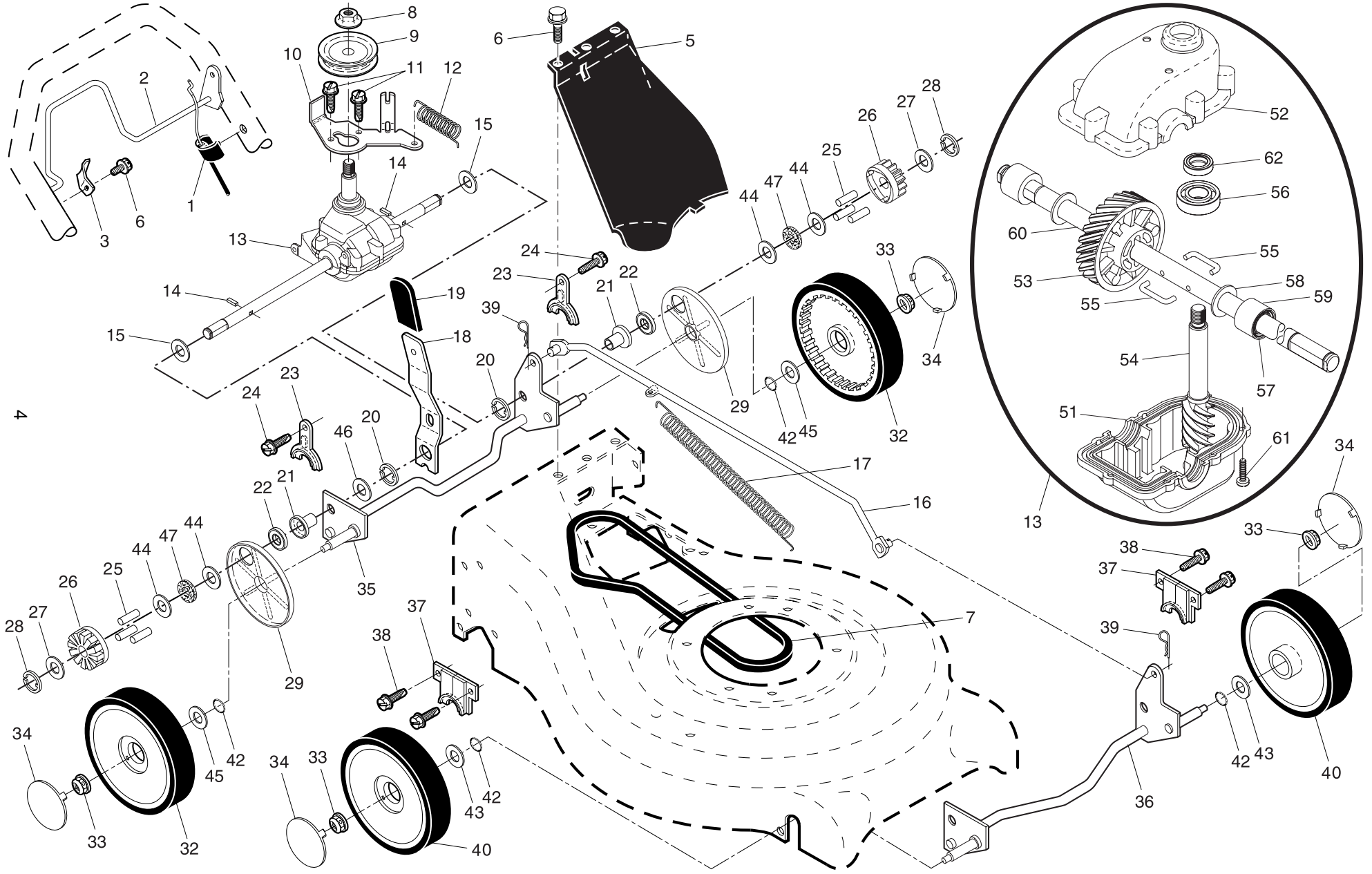
KEY NO.	PART NO.	DESCRIPTION	KEY NO.	PART NO.	DESCRIPTION
1	532 16 71-63	Handle, Upper, Deluxe Comfort	26	532 16 34-09	Screw #12 x 5/8
2	532 19 60-05	Handle, Lower	29	532 13 31-07	Cable, MZR
3	532 18 60-53	Spring, Rear Door, RH	30	532 19 37-07	Adapter, Blade
4	532 19 47-88	Guide, Rope, Side	31	532 19 93-77	Blade, 21"
5	532 13 20-04	Nut, Hex, with Lockwasher Insert 1/4-20	32	532 85 10-74	Washer, Hardened
6	532 06 64-26	Wire, Tie	33	532 85 02-63	Lockwasher, Helical Spring 3/8
7	532 19 15-74	Bolt, Handle 5/16-18 x 1.75	34	532 85 10-84	Screw, Hex Head 3/8-24 x 1.38
8	532 08 76-92	Knob, Handle	35	532 18 91-85	Shield, Debris
9	532 19 18-19	Bar, Control, Wire, Deluxe Comfort	37	532 15 04-06	Bolt, Engine
10	532 18 88-21	Bolt, Carriage	38	- - -	Engine, Briggs & Stratton, Model Number 128802 (Order parts from engine manufacturer)
11	873 93 05-00	Nut, Hex, with Lockwasher Insert 5/16-18 UNC			
12	532 05 17-93	Cotter, Hairpin	39	532 40 20-19	Grassbag
13	532 18 60-52	Spring, Rear Door, LH	40	532 19 46-44	Frame, Grassbag
14	532 75 06-34	Screw, Tapping, Hex Washer Head #10-24	41	532 18 21-66	Decal, Danger
15	532 12 51-62	Bracket, Upstop	42	532 05 45-83	Self-Tapping Screw
16	532 19 05-74	Rear Door Assembly	43	532 18 49-41	Pulley, Engine
17	532 18 41-93	Bolt, Rear Door	44	532 18 77-23	Key, Hi-Pro
18	532 19 81-70	Plug, Mulcher	59	532 16 42-65	Grip, Handle, Foam, Smooth
19	532 40 07-32	Kit, Lawn Mower Housing Assembly	60	532 18 21-54	Throttle Control
20	532 19 40-29	Handle Bracket Assembly, LH	61	532 18 33-65	Screw
21	532 19 40-31	Handle Bracket Assembly, RH	65	532 11 11-90	Cable Clamp
22	532 15 00-78	Screw, Hex Washer Head	97	532 08 38-16	Screw
23	532 16 31-83	Bolt, Hex Head 5/16-18 x 5/8	--	532 18 21-34	Warning Decal
24	873 80 05-00	Nut, Hex, with Lockwasher Insert 5/16-18	--	532 40 23-51	Operator's Manual, European
25	532 16 13-33	Baffle, Side	--	532 40 23-52	Operator's Manual, Scandinavian

3

NOTE: All component dimensions given in U.S. inches. 1 inch = 25.4 mm

IMPORTANT: Use only Original Equipment Manufacturer (O.E.M.) replacement parts. Failure to do so could be hazardous, damage your lawn mower and void your warranty.

ROTARY LAWN MOWER - - MODEL NUMBER LM2153CMD (96141010100) PRODUCT NUMBER 961 41 01-01



ROTARY LAWN MOWER - - MODEL NUMBER **LM2153CMD** (96141010100) PRODUCT NUMBER 961 41 01-01

KEY NO.	PART NO.	DESCRIPTION
1	532 18 76-26	Cable, Drive
2	532 16 14-73	Bail, Control, Drive
3	532 16 45-57	Bracket, Downstop
4	532 75 06-34	Screw, Tapping, Hex Washer Head #10-24
5	532 40 28-07	Cover, Drive
6	532 75 06-34	Screw, Threaded, Rolled #10-25 x .50
7	532 16 08-16	V-Belt
8	532 13 20-10	Nut, Hex, Flangelock, Zinc Plated 3/8-16
9	532 16 39-39	Pulley, Driven
10	532 16 45-53	Belt Keeper
11	532 16 34-09	Screw, Hex Washer Head #10-24 x .668
12	532 18 76-27	Spring
13	532 18 82-95	Gearcase Assembly, Complete
14	532 14 53-54	Pin, Spring, Thrust
15	532 05 70-79	Washer, Hardened
16	532 16 15-84	Rod, Connecting
17	532 16 16-02	Spring, Extension
18	532 19 61-62	Spring, Selector
19	532 19 00-69	Knob, Selector Spring
20	812 00 00-22	E-Ring 7/8
21	532 16 33-65	Bearing, Support
22	532 16 99-11	Bearing, Ball
23	532 16 45-55	Retainer, Drive Assembly, Stamped
24	532 05 78-08	Screw, Tapping, Hex Head 1/4-20 x .75
25	532 17 00-11	Drive Pawl
26	532 16 64-50	Pinion, Drive
27	532 05 21-60	Washer, Shim (as required)
28	812 00 00-58	E-Ring 7/16

KEY NO.	PART NO.	DESCRIPTION
29	532 18 94-03	Cover, Dust, Wheel
32	532 18 80-42	Wheel & Tire Assembly, Rear, Driven 9 x 2
33	532 08 39-23	Nut, Hex, Flangelock
34	532 18 06-26	Hubcap
35	532 19 60-16	Shaft Assembly, Rear
36	532 19 60-15	Shaft Assembly, Front
37	532 16 14-63	Retainer, Front Shaft
38	532 16 34-09	Screw #12 x 5/8
39	532 70 02-79	Clip, Retainer
40	532 15 03-48	Wheel & Tire Assembly, Front 8 x 2
42	532 18 81-52	O-Ring
43	532 08 83-48	Washer, Flat 3/8
44	532 06 23-35	Belleville Washer 1/2
45	532 06 77-25	Washer 1/2 x 1-1/2 x .134
46	819 57 22-16	Washer
47	532 08 81-18	Felt Washer
51	532 18 75-30	Case, Lower
52	532 19 12-45	Case, Upper
53	532 18 75-32	Gear, 24 Teeth
54	532 18 75-33	Shaft, Worm
55	532 18 35-05	Wireform
56	532 18 35-06	Bearing, Ball
57	532 18 35-08	Seal, Output Shaft
58	532 18 35-09	Washer
59	532 18 35-11	Bushing
60	532 19 12-48	Shaft, Output
61	532 18 35-13	Screw
62	532 18 35-14	Seal, Worm Shaft

5

NOTE: All component dimensions given in U.S. inches. 1 inch = 25.4 mm

IMPORTANT: Use only Original Equipment Manufacturer (O.E.M.) replacement parts. Failure to do so could be hazardous, damage your lawn mower and void your warranty.