

LT2116

Spare parts

Ersatzteile

Pièces détachées

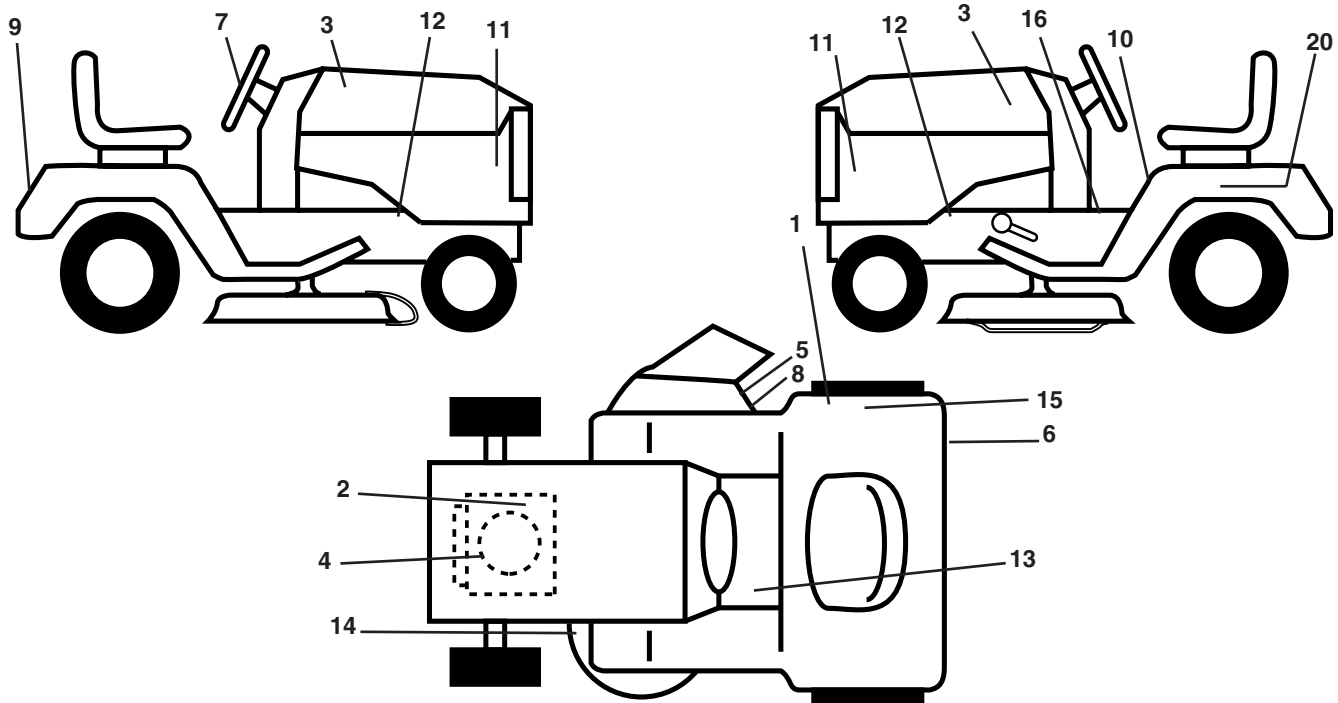
Reserve onderdelen

Repuestos

Reservdelar

REPAIR PARTS

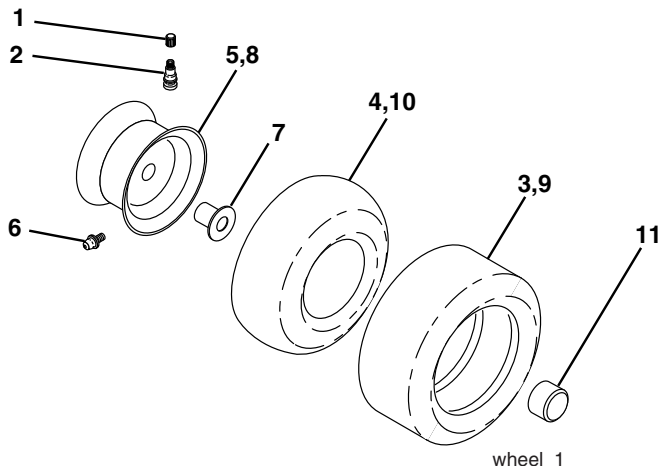
TRACTOR - MODEL NO. LT2116 (96011022300), PRODUCT NO. 960 11 02-23
DECALS



KEY NO.	PART NO.	DESCRIPTION
1	532 12 44-33	Decal, DBA
2	532 19 68-41	Decal, Warning Eng. Sym.
3	532 18 95-53	Decal, Hood RH/LH
4	532 19 36-74	Decal, Eng. HP
5	532 18 21-66	Decal, Mower Cutfnger
6	532 40 36-10	Decal, Fender
7	532 18 57-73	Decal, Ins. Strg Whl.
8	532 19 63-57	Decal, Deflect Wrn. Cutfnger Sym
9	532 18 39-30	Decal, Fender Jonsered
10	532 40 03-89	Decal, Warning Sym. CE
11	532 40 36-08	Decal, Side Panel
12	532 15 97-36	Decal, Chassis Hot Muffler

KEY NO.	PART NO.	DESCRIPTION
13	532 15 97-37	Decal, Brake/Clutch Symbol LT
14	532 19 43-02	Decal, V-Belt Schematic
15	532 16 88-69	Decal, Tick Mark
16	532 14 08-37	Decal, Saddle Brake Parking
20	532 14 50-05	Decal, Bat Dan/Psn
--	532 16 25-98	Decal, Drawbar Load Limit
--	532 13 83-11	Decal, Handle Lift Height Adjust
--	532 18 82-52	Pad, Footrest LH STLT
--	532 18 82-53	Pad, Footrest RH STLT
--	532 40 37-25	Manual Operator's (Euro.)

WHEELS & TIRES

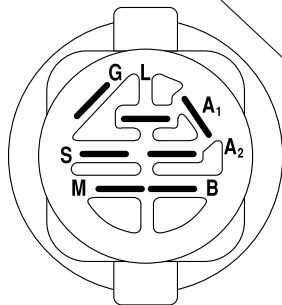
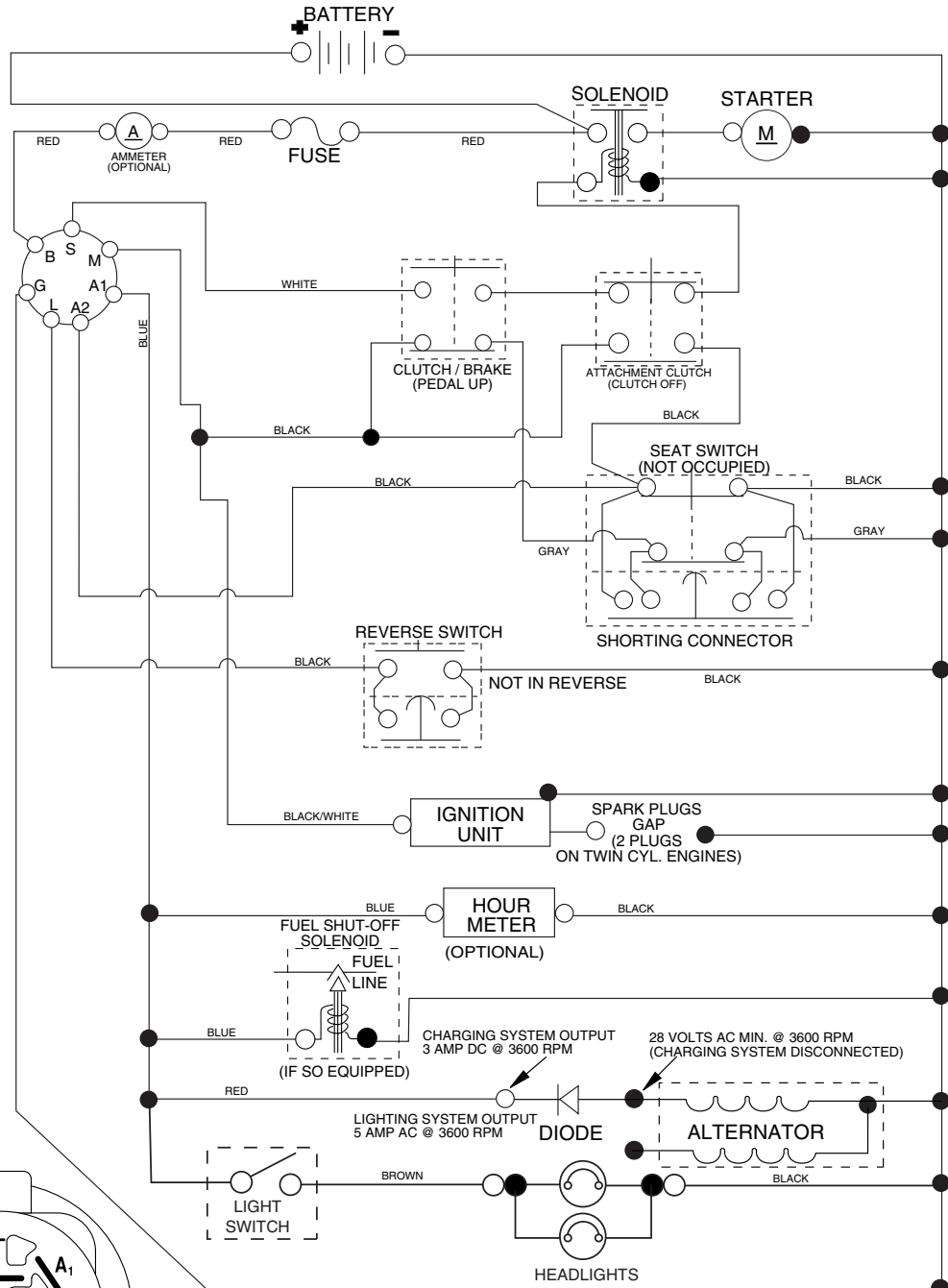


KEY NO.	PART NO.	DESCRIPTION
1	532 05 91-92	Cap Valve Tire
2	532 06 51-39	Stem Valve
3	532 10 62-22	Tire F Ts 15 x 6 0 - 6 Service
4	532 05 99-04	Tube Front (Service Item Only)
5	532 13 83-36	Rim Asm 6" front Silver Service
6	532 12 49-57	Fitting Grease (Front Wheel Only)
7	532 12 49-59	Bearing Flange (Front Wheel Only)
8	532 13 83-37	Rim Asm 8"rear Silver Service
9	532 10 62-68	Tire R Ts 18 x 9 5-8 C Service
10	532 12 49-26	Tube Rear (Service Item Only)
11	532 17 50-39	Cap Axle Blk 1 50 x 1 00
--	532 14 43-34	Sealant, Tire (10 oz. Tube)

NOTE: All component dimensions given in U.S. inches
1 inch = 25.4 mm

REPAIR PARTS

TRACTOR - MODEL NO. LT2116 (96011022300), PRODUCT NO. 960 11 02-23
SCHEMATIC



IGNITION SWITCH

POSITION	CIRCUIT "MAKE"
OFF	M+G+A1
RUN/OVERRIDE	B+A1
RUN	B+A1 L+A2
START	B + S + A1

03059

NOTE

YOUR TRACTOR IS EQUIPPED WITH A SPECIAL ALTERNATOR SYSTEM. THE LIGHTS ARE NOT CONNECTED TO THE BATTERY, BUT HAVE THEIR OWN ELECTRICAL SOURCE. BECAUSE OF THIS, THE BRIGHTNESS OF THE LIGHTS WILL CHANGE WITH ENGINE SPEED. AT IDLE THE LIGHTS WILL DIM. AS THE ENGINE IS SPEEDED UP, THE LIGHTS WILL BECOME THEIR BRIGHTEST.

●
NON-REMOVABLE CONNECTIONS

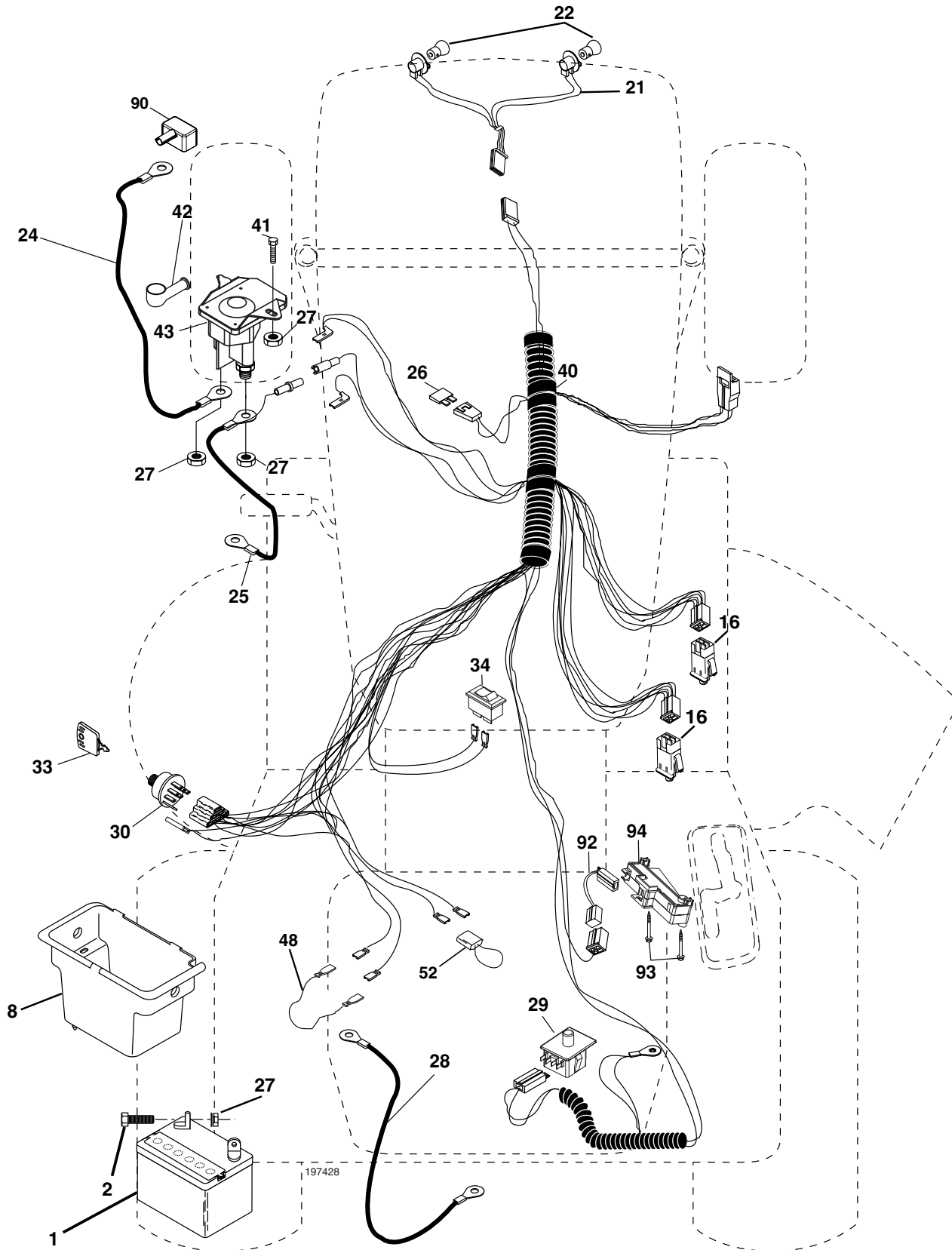
○
REMOVABLE CONNECTIONS

WIRING INSULATED CLIPS

NOTE: IF WIRING INSULATED CLIPS WERE REMOVED FOR SERVICING OF UNIT, THEY SHOULD BE REPLACED TO PROPERLY SECURE YOUR WIRING.

REPAIR PARTS

TRACTOR - MODEL NO. LT2116 (96011022300), PRODUCT NO. 960 11 02-23
ELECTRICAL



REPAIR PARTS

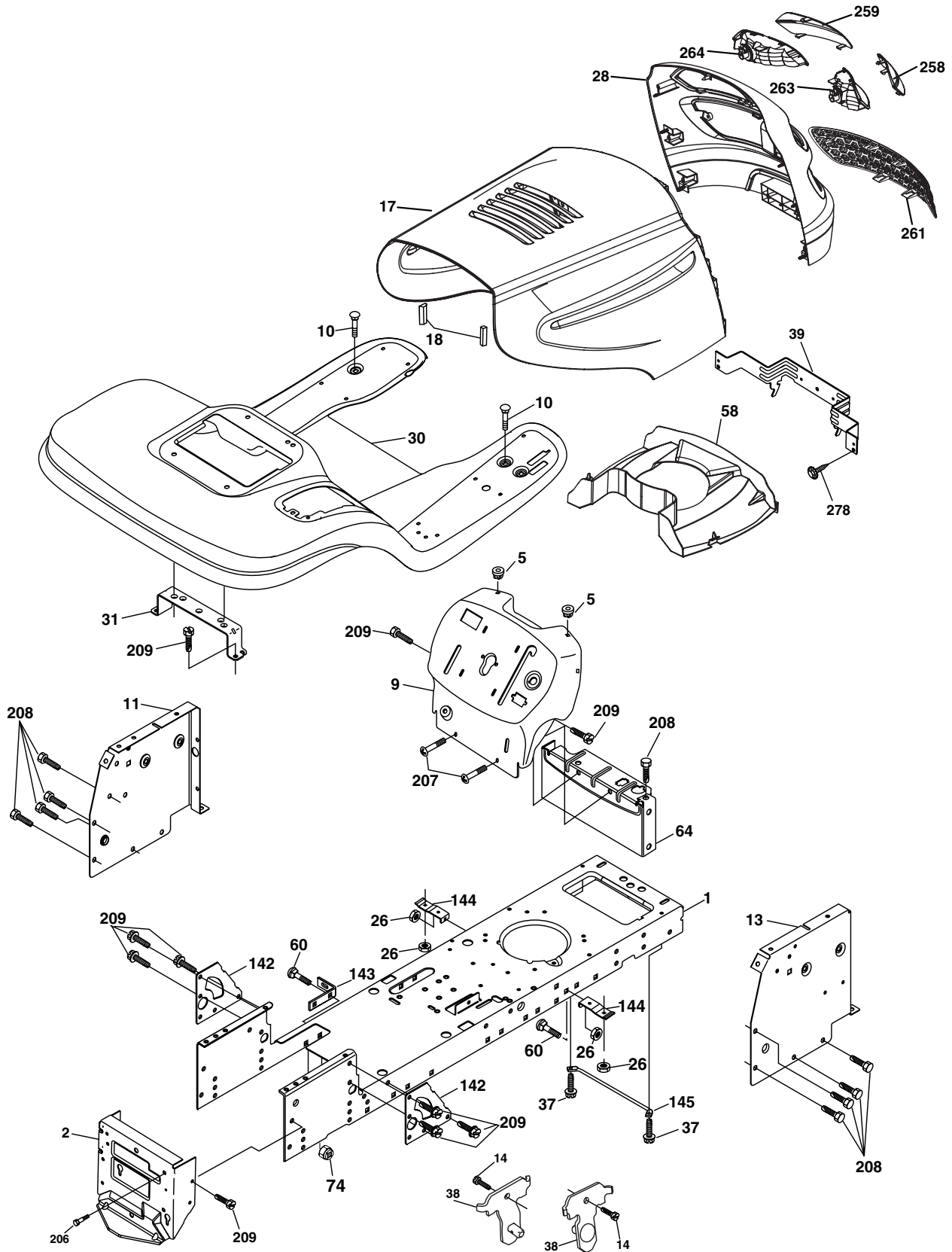
TRACTOR - MODEL NO. LT2116 (96011022300), PRODUCT NO. 960 11 02-23
ELECTRICAL

KEY NO.	PART NO.	DESCRIPTION
1	532 16 34-65	Battery
2	874 76 04-12	Bolt Hex Hd 1/4-20 unc x 3/4
8	532 17 66-89	Box Battery
16	532 17 61-38	Switch Interlock
21	532 18 37-59	Harness Asm Light W/4152j
22	532 00 41-52	Bulb Light
24	532 12 47-80	Cable Battery 6 Ga. 11" red
25	532 14 61-47	Cable Battery 6 Ga. 44" red w/16 wire
26	532 17 51-58	Fuse 20 AMP
27	873 51 04-00	Nut Keps Hex 1/4-20 unc
28	532 12 47-73	Cable Ground 6 Ga. 12" black
29	532 19 27-49	Switch Seat
30	532 19 33-50	Switch Ign
33	532 14 04-01	Key Ign
34	532 11 07-12	Switch Light/Reset B/B/Red
40	532 19 74-28	Harness Ign.
41	871 11 04-08	Bolt Blk Fin Hex 1/4 - 20 x 1/2
42	532 13 15-63	Cover Terminal Red
43	532 19 25-07	Solenoid
48	532 14 08-44	Adapter Ammeter
52	532 14 19-40	Protection Wire Loop
90	532 18 04-49	Cover Terminal Battery
92	532 19 66-15	Harness Pigtail Console
93	532 19 25-40	Screw Plastite 10-14 x 2.0
94	532 19 18-34	Module Reverse

NOTE: All component dimensions given in U.S. inches.
1 inch = 25.4 mm.

REPAIR PARTS

TRACTOR - MODEL NO. LT2116 (96011022300), PRODUCT NO. 960 11 02-23
CHASSIS AND ENCLOSURES



REPAIR PARTS

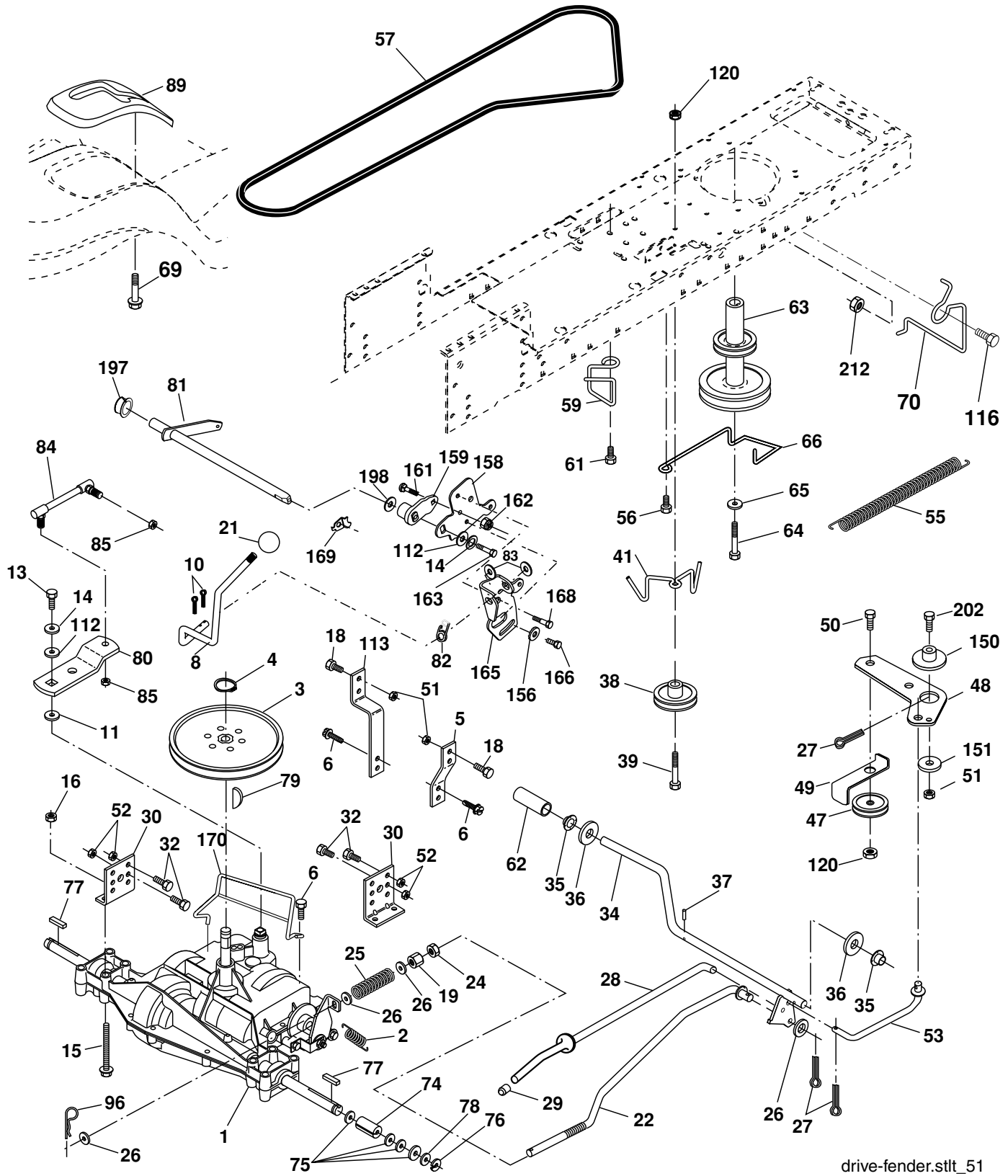
TRACTOR - MODEL NO. LT2116 (96011022300), PRODUCT NO. 960 11 02-23
CHASSIS AND ENCLOSURES

KEY NO.	PART NO.	DESCRIPTION
1	532 17 46-19	Chassis Weldment
2	532 17 65-54	Drawbar
5	532 15 52-72	Bumper Hood/Dash
9	532 19 41-97	Dash P/L
10	872 14 06-08	Bolt Carriage 3/8-16 x 1
11	532 17 49-96	Panel Dash Lh
13	532 18 69-52	Panel Dash Rh
14	817 49 06-08	Screw Thdrol 3/8-16 x 1/2
17	532 19 47-57	Hood
18	532 18 49-21	Bumper Hood
26	873 80 06-00	Nut Lock Hex W/Ins 3/8-16 unc
28	532 19 29-15	Grill/Lens Asm. (Includes key #'s 258-264)
30	532 19 52-96	Fender Footrest
31	532 13 99-76	Bracket Support Fender
37	817 49 05-08	Screw Thdrol 6/16-18 x 1/2 TYT
38	532 17 57-10	Bracket, Asm. Pivot
39	532 17 47-14	Bracket Pivot
58	532 18 43-22	Duct Intake Air
60	872 14 06-06	Bolt Rdhd Sqnk 3/8-16 unc x 3/4
64	532 15 47-98	Dash Lower STLT
74	873 68 06-00	Nut Crownlock 3/8-16 unc
142	532 17 57-02	Plate Reinforcement STLT
143	532 18 66-89	Bracket Swaybar Chassis
144	532 17 55-82	Bracket Pnt Footrest STLT
145	532 15 65-24	Rod Pivot Chassis/Hood
206	532 17 01-65	Bolt Shoulder 5/16-18
207	817 67 05-08	Screw Thdrol 5/16-18 x 1/2
208	817 67 06-08	Screw Thdrol 3/8-16 x 1/2
209	817 00 06-12	Screw Hexwsh Thdr 3/8-16 x 3/4 Bl.
258	532 18 97-55	Lens RH
259	532 18 97-54	Lens LH
261	532 18 97-53	Insert Grille
263	532 18 38-33	Bezel RH
264	532 18 38-32	Bezel LH
278	532 19 16-11	Screw 10 x 3/4 Single Lead-Hex
--	532 00 54-79	Plug Button
--	532 18 78-01	Plug Dome

NOTE: All component dimensions given in U.S. inches
1 inch = 25.4 mm

REPAIR PARTS

TRACTOR - MODEL NO. LT2116 (96011022300), PRODUCT NO. 960 11 02-23
DRIVE



REPAIR PARTS

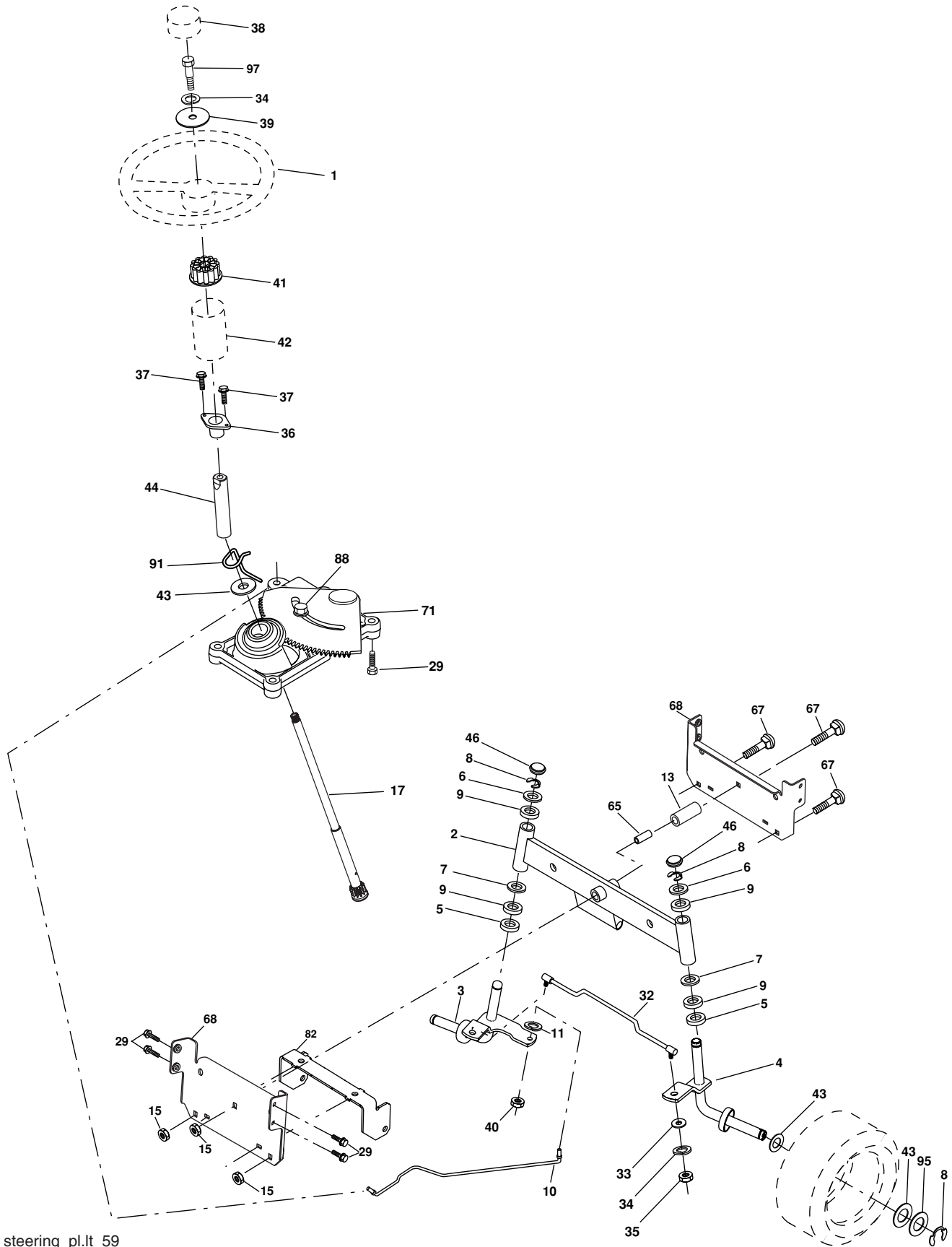
TRACTOR - MODEL NO. LT2116 (96011022300), PRODUCT NO. 960 11 02-23
DRIVE

KEY NO.	PART NO.	DESCRIPTION	KEY NO.	PART NO.	DESCRIPTION
1	-----	Transaxle, Peerless 206-545C (Order Parts From Transaxle Manufacturer)	62	532 12 48-72	Cover Pedal
2	532 14 66-82	Spring Return Brake T/a Zinc	63	532 17 54-10	Engine Pulley
3	532 12 36-66	Pulley Transaxle 18" tires	64	532 17 39-37	Bolt Hex
4	812 00 00-28	Ring Retainer # 5100-62	65	810 04 07-00	Washer Lock Hvy Hlcl Spr 7/16
5	532 12 15-20	Strap Torque 30 Degrees	66	532 15 47-78	Keeper Belt Engine Foolproof
6	817 06 05-12	Screw Thdrol 5/16-18 x 3/4 TYT	69	532 14 24-32	Screw Hex Wsh. Hi-Lo 1/4 x 1/2 unc
8	532 19 25-02	Rod Shift Fender Adjust STLT	70	532 13 46-83	Guide Belt Mower Drive RH
10	876 02 04-16	Pin Cotter 1/8 x 1 Cad	74	532 13 70-57	Spacer Axle
11	532 10 57-01	Washer Plate Shf 388 Sq Hole	75	532 12 17-49	Washer 25/32 x 1 1/4 x 16 Ga.
13	874 55 04-12	Bolt 1/4-28 unf Gr. 8 W/Patch	76	812 00 00-01	E-ring #5133-75
14	810 04 04-00	Washer Lock Hvy Helical 1/4	77	532 12 35-83	Key Square 2 0 x 1845/ 1865
15	874 49 05-44	Bolt 5/16-18 Gr. 5	78	532 12 17-48	Washer 25/32 x 1-5/8 x 16 Ga.
16	873 80 05-00	Nut Lock Hx W/Ins 5/16-18 unc PI	79	532 12 50-96	Key Woodruff #9 3/16 x 3/4
18	874 78 06-16	Bolt, Fin Hex 3/8-16 unc x 1 Gr. 5	80	532 13 14-86	Arm Shift
19	873 80 06-00	Nut Lock 3/8-16 unc	81	532 16 55-94	Shaft Asm Cross Tapered DA/PR 18"
21	532 12 12-74	Knob	82	532 16 57-11	Spring Torsion T/a
22	532 13 08-04	Rod Brake Blk Zinc 26 840	83	819 17 12-16	Washer 17/32 x 3/4 x 16 Ga.
24	873 35 06-00	Nut Hex Jam 3/8-16 unc	84	532 16 62-28	Transaxle Link
25	532 10 68-88	Spring Rod Brake 2 00 Zinc	85	532 15 03-60	Nut Lock Center 1/4 - 28 FNTHD
26	819 13 13-16	Washer 13/32 x 13/16 x 16 Ga	89	532 19 53-94	Console Shift STLT
27	876 02 04-12	Pin Cotter 1/8 x 3/4 Cad	96	532 12 47-88	Retainer Spring 1"
28	532 17 57-65	Rod Brake Parking LT/YT	112	819 09 12-10	Washer 9/32 x 3/4 x 10 Ga.
29	532 07 16-73	Cap Brake Parking Black	113	532 12 72-85	Strap Torque LT
30	532 17 49-73	Bracket Mtg Transaxle	116	872 14 06-08	Bolt Rdhd Sq Neck 3/8-16 x 1
32	874 76 05-12	Bolt Hex Hd 5/16-18 unc x 3/4	120	873 90 06-00	Nut Lock Flg. 3/8-16
34	532 17 55-78	Shaft Asm Pedal Foot	150	532 17 54-56	Spacer Retainer
35	532 12 01-83	Bearing Nylon Blk 629 Id	151	819 13 32-10	Washer 13/32 x 2 x 10 Ga.
36	819 21 16-16	Washer 21/32 x 1 x 16 Ga	156	532 16 60-02	Washer Srrted 5/16 ID x 1.125
37	532 12 49-63	Pin Roll 3/16 x 1"	158	532 16 55-89	Bracket Shift Mount
38	532 17 91-14	Pulley Composite	159	532 18 39-00	Hub Shift
39	872 11 06-22	Bolt Rdhd 3/8-16 x 2-3/4 Gr. 5	161	872 14 04-06	Bolt Rdhd Sqnk 1/4-20 x 3/4 Gr. 5
41	532 17 55-56	Keeper Belt Idler Flat	162	873 68 04-00	Nut Crownlock 1/4-20 unc
47	532 12 77-83	Pulley Idler V Groove Plastic	163	874 78 04-16	Bolt Hex Fin 1/4-20 unc x 1 Gr. 5
48	532 15 44-07	Bellcrank Clutch Grnd Drv Stl	165	532 16 56-23	Bracket Pivot Lever
49	532 12 32-05	Retainer Belt Style Spring	166	817 49 05-10	Screw 5/16-18 x 5/8
50	872 11 06-12	Bolt Carr. sh 3/8-16 x 1-1/2 Gr. 5	168	532 16 54-92	Bolt Shoulder 5/16-18 x .561
51	873 68 06-00	Nut Crownlock 3/8-16 unc	169	532 16 55-80	Plate Fastening STLT/CRD
52	873 68 05-00	Nut Crownlock 5/16-18 unc	170	532 18 74-14	Keeper Belt T/A
53	532 19 96-52	Link Clutch	197	532 16 96-13	Nyliner Snap-In 5/8" ID
55	532 10 57-09	Spring Return Clutch 6 75	198	532 16 95-93	Washer Nyl 7/8 Id x .105" Hyd
56	817 06 06-20	Screw 3/8-16 x 1-1/4	202	872 11 06-14	Bolt 3/8-16 x 1-3/4 Gr. 5
57	532 13 82-55	V-Belt Ground Drive	212	532 14 52-12	Nut Hex Flg Lock
59	532 16 96-91	Keeper Belt Span Ctr			
61	817 12 06-14	Screw 3/8-16 x .875			

NOTE: All component dimensions given in U.S. inches.
1 inch = 25.4 mm.

REPAIR PARTS

TRACTOR - MODEL NO. LT2116 (96011022300), PRODUCT NO. 960 11 02-23
STEERING ASSEMBLY



REPAIR PARTS

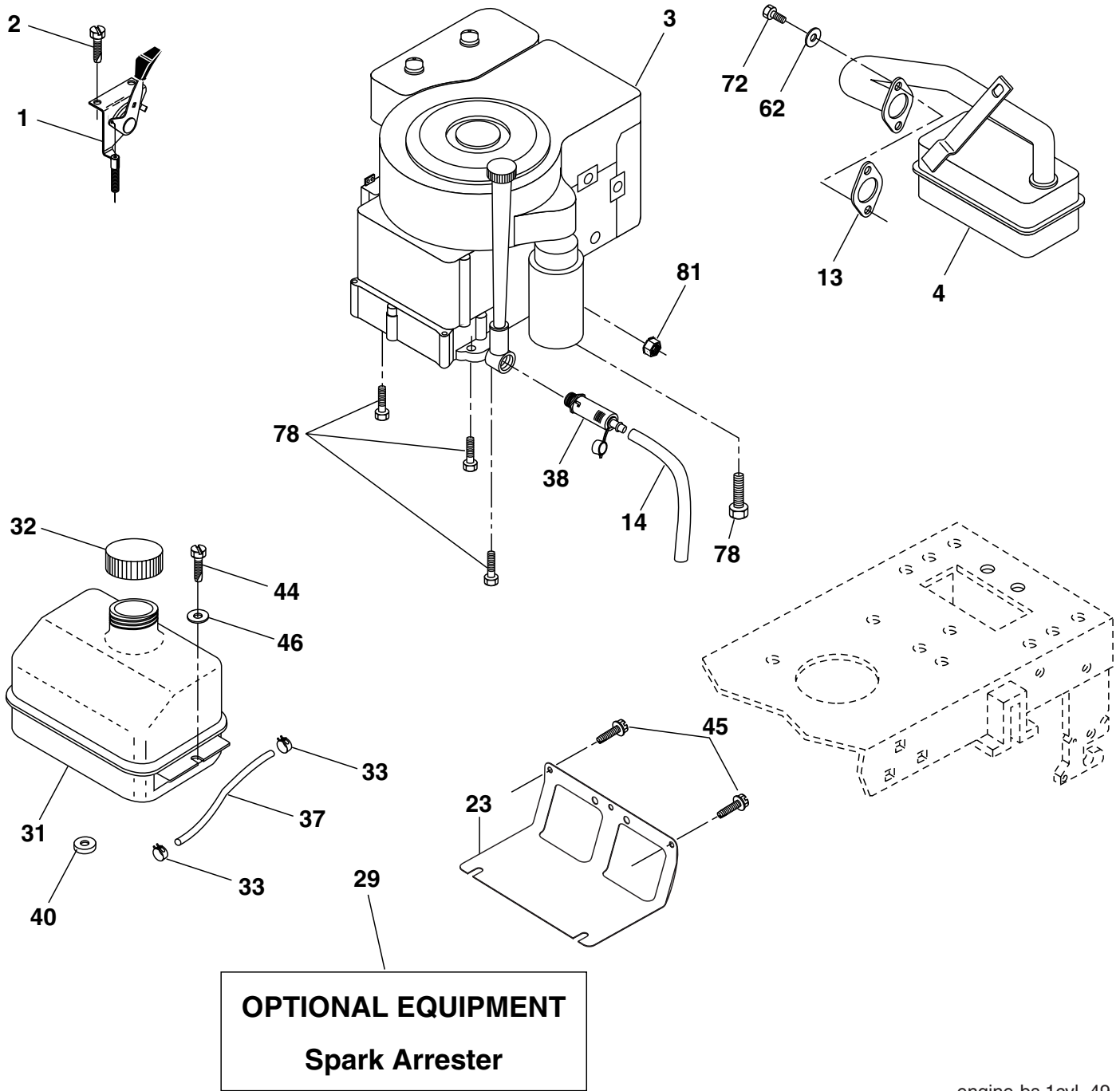
TRACTOR - MODEL NO. LT2116 (96011022300), PRODUCT NO. 960 11 02-23
STEERING ASSEMBLY

KEY NO.	PART NO.	DESCRIPTION
1	532 19 46-37	Wheel Steering
2	532 19 56-73	Axle Asm
3	532 16 98-40	Spindle Asm LH
4	532 16 98-39	Spindle Asm RH
5	532 12 49-31	Bearing Race Thrust Harden
6	532 12 17-48	Washer 25/32 x 1-5/8 x 16 Ga.
7	819 27 20-16	Washer 27/32 x 1-1/4 x 16 Ga.
8	812 00 00-29	Ring Klip #t5304-75
9	532 12 49-37	Bearing Col Strg Blk
10	532 17 51-21	Link Drag
11	810 04 06-00	Washer Lock Hvy Hlcl Spr 3/8
13	532 13 65-18	Bearing Axle STLT/GT
15	532 14 52-12	Nut Hexflange Lock
17	532 19 07-53	Shaft Strg
29	817 00 06-12	Screw 3/8-16 x 3/4 SMGML
32	532 17 18-88	Rod Tie
33	819 11 12-16	Washer 11/32 x 3/4 x 16 Ga.
34	810 04 05-00	Washer Lock 5/16
35	873 54 05-00	Crownlock Nut 5/16-24 unf
36	532 15 50-99	Bushing Strg
37	532 15 29-27	Screw
38	532 19 46-03	Insert Cap Strg Wh
39	819 11 38-12	Washer 11/32 ID x 2-3/8 OD x 12 Ga.
40	873 54 06-00	Lock nut
41	532 18 67-37	Adaptor Wheel Strg
42	532 16 96-33	Boot Steering Shaft
43	532 12 17-49	Washer 25/32 x 1 1/4 x 16 Ga.
44	532 19 07-52	Extension Steering Shaft Spline
46	532 12 12-32	Cap Spindle Fr Top Blk
65	532 16 03-67	Spacer Axle
67	872 11 06-18	Bolt RDHD SQNK 3/8-16 x 2-1/4
68	532 16 98-27	Axle, Brace
71	532 17 51-46	Steering Asm.
82	532 19 99-78	Bracket Susp Chassis Front
88	532 17 51-18	Bolt Shoulder 7/16-20 unc
91	532 17 55-53	Clip Steering
95	532 18 89-67	Washer Hardened
97	874 78 05-64	Bolt 5/16-18 unc x 4" L Gr. 5

NOTE: All component dimensions given in U.S. inches.
1 inch = 25.4 mm.

REPAIR PARTS

TRACTOR - MODEL NO. LT2116 (96011022300), PRODUCT NO. 960 11 02-23
ENGINE



REPAIR PARTS

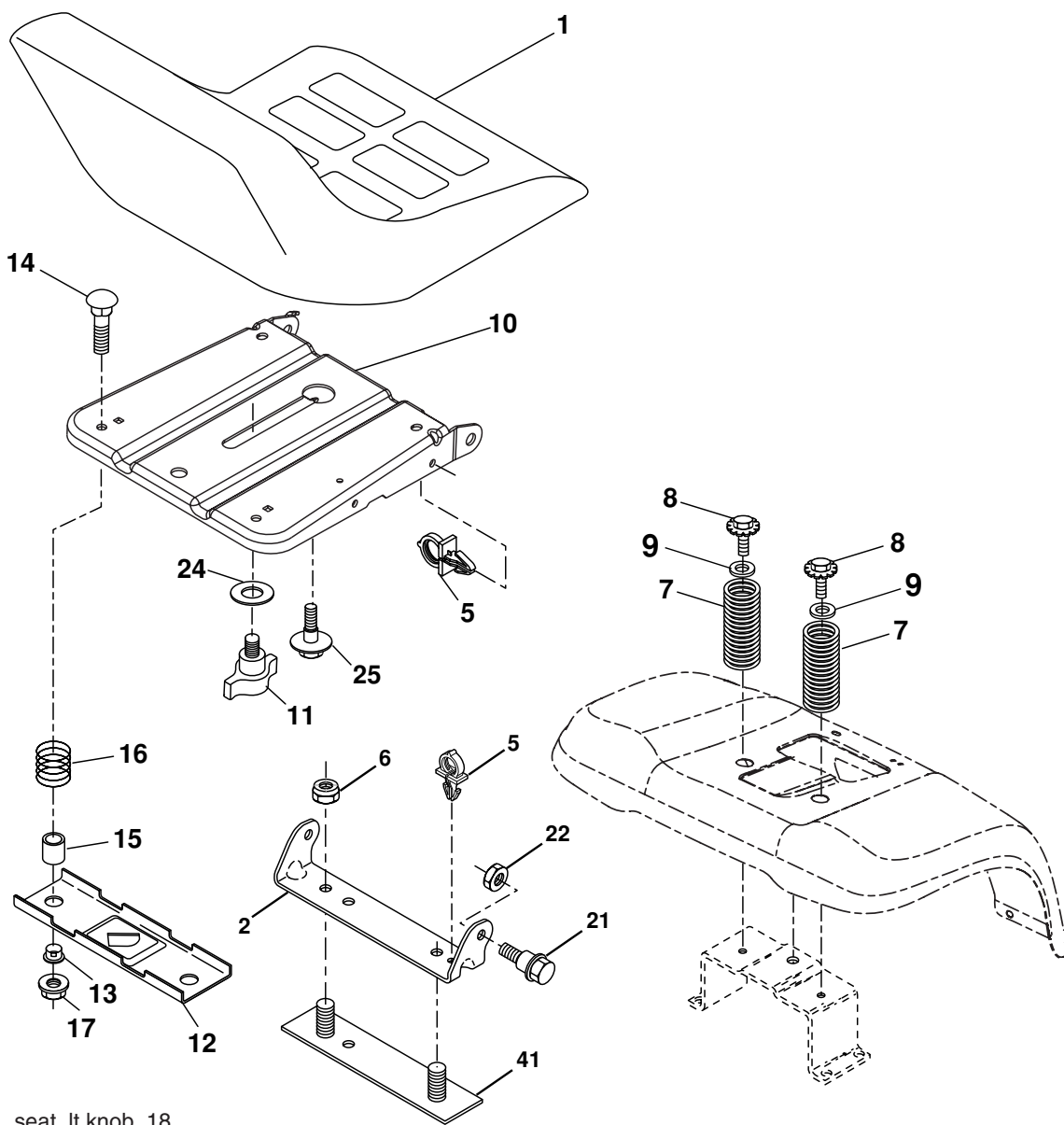
TRACTOR - MODEL NO. LT2116 (96011022300), PRODUCT NO. 960 11 02-23
ENGINE

KEY NO.	PART NO.	DESCRIPTION
1	532 17 05-51	Control, Throttle/Choke
2	817 72 04-08	Screw, Hex Thd Cut 1/4-20 x 1/2
3	-----	Engine, Briggs, (Order parts from engine manufacturer) No. 286H77
4	532 13 73-52	Muffler Exhaust
13	532 16 52-91	Gasket, Muffler
14	532 14 84-56	Tube Drain Oil Easy
23	532 16 98-37	Shield, Brn/Dbr Guard
29	532 13 71-80	Arrestor, Spark
31	532 18 77-50	Tank, Fuel
32	532 19 77-25	Cap Fuel
33	532 12 34-87	Clamp, Hose
37	532 13 70-40	Line, Fuel
38	532 18 16-54	Plug, Oil Drain Easy
40	532 12 40-28	Bushing Snap
44	817 67 04-12	Screw 1/4-20 x 3/4
45	817 00 06-12	Screw Hex Wsh 3/8-16 x 3/4
46	819 09 14-16	Washer 9/32 x 7/8 x 16 Ga.
62	810 01 05-00	Washer Split
72	532 19 23-34	Screw Socket Head 5/16-18 x .75
78	817 06 06-20	Screw 3/8-16 x 1-1/4
81	873 51 04-00	Nut Keps Hex 1/4-20 Starter Nut

NOTE: All component dimensions given in U. S.
inches 1 inch = 25.4 mm

REPAIR PARTS

TRACTOR - MODEL NO. LT2116 (96011022300), PRODUCT NO. 960 11 02-23
SEAT ASSEMBLY



seat_lt.knob_18

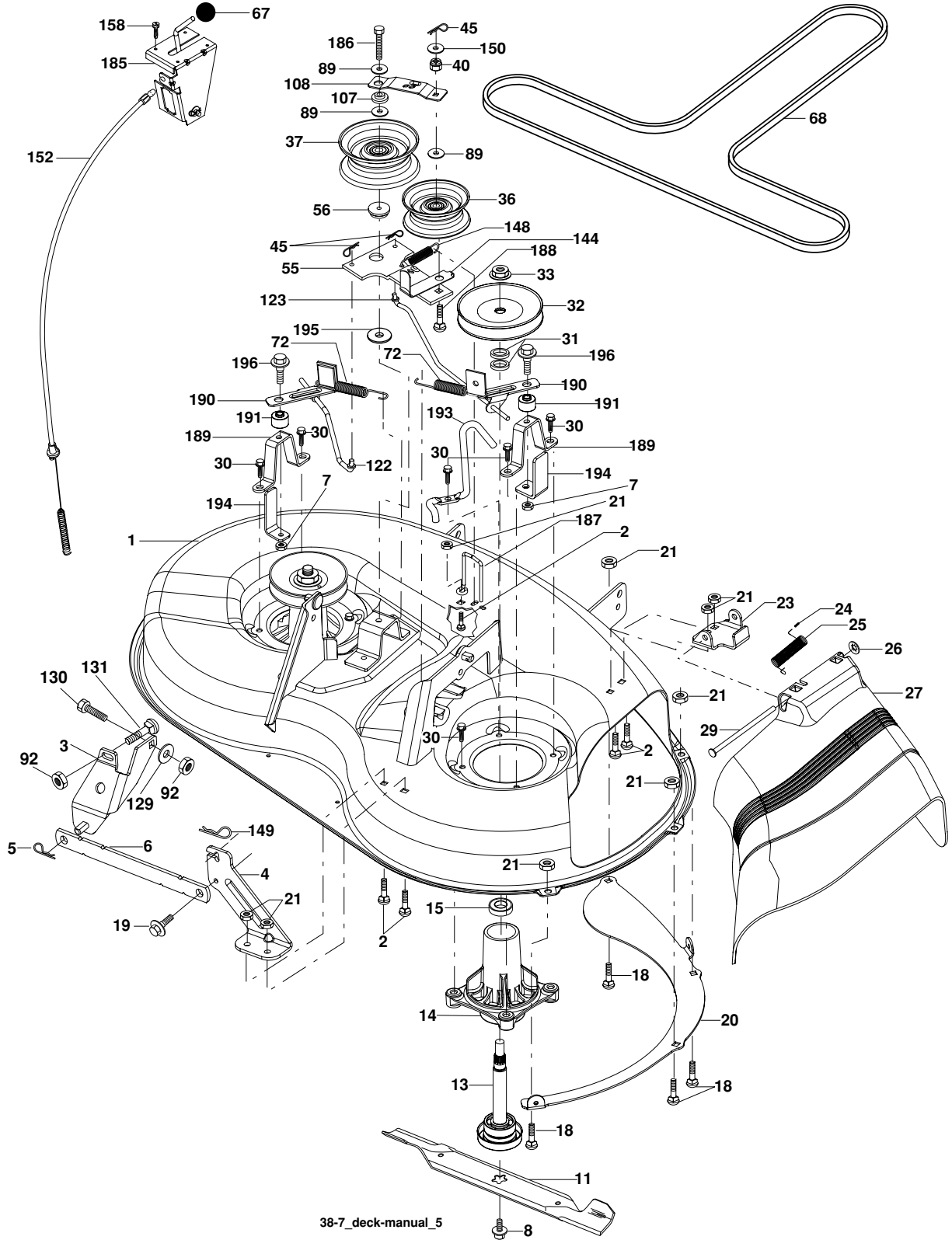
KEY NO.	PART NO.	DESCRIPTION
1	532 18 87-13	Seat
2	532 14 05-51	Bracket Pivot Seat
5	532 14 50-06	Clip Push-In
6	873 80 06-00	Nut Hex w/Ins. 3/8-16 unc
7	532 12 41-81	Spring Seat Cprsn 2 250 Blk Zi
8	817 00 06-16	Screw 3/8-16 x 1.5 SMGML
9	819 13 16-14	Washer 13/32 x 1 x 14 Ga.
10	532 19 55-30	Pan Seat
11	532 16 63-69	Knob Seat
12	532 17 46-48	Bracket Mounting Switch
13	532 12 12-48	Bushing Snap Blk Nyl 50 Id
14	872 05 04-12	Bolt Rdhd Sqkn 1/4-20 x 1-1/2

KEY NO.	PART NO.	DESCRIPTION
15	532 13 43-00	Spacer Split 28 x 96 Yel Zinc
16	532 12 12-50	Spring Cprsn 1.27 Blk Pnt
17	532 12 39-76	Nut Lock 1/4 Lge Flg Gr. 5 Zinc
21	532 17 18-52	Bolt SHLD 5/16-18 unc-2A
22	873 80 05-00	Nut Hex Lock W/Ins 5/16-18
24	819 17 19-12	Washer 17/32 x 1-3/16 x 12 Ga.
25	532 12 70-18	Bolt SHOULD 5/16-18 x .62
41	532 14 06-75	Strap Asm.

NOTE: All component dimensions given in U.S. inches.
1 inch = 25.4 mm

REPAIR PARTS

TRACTOR - MODEL NO. LT2116 (96011022300), PRODUCT NO. 960 11 02-23
MOWER DECK



REPAIR PARTS

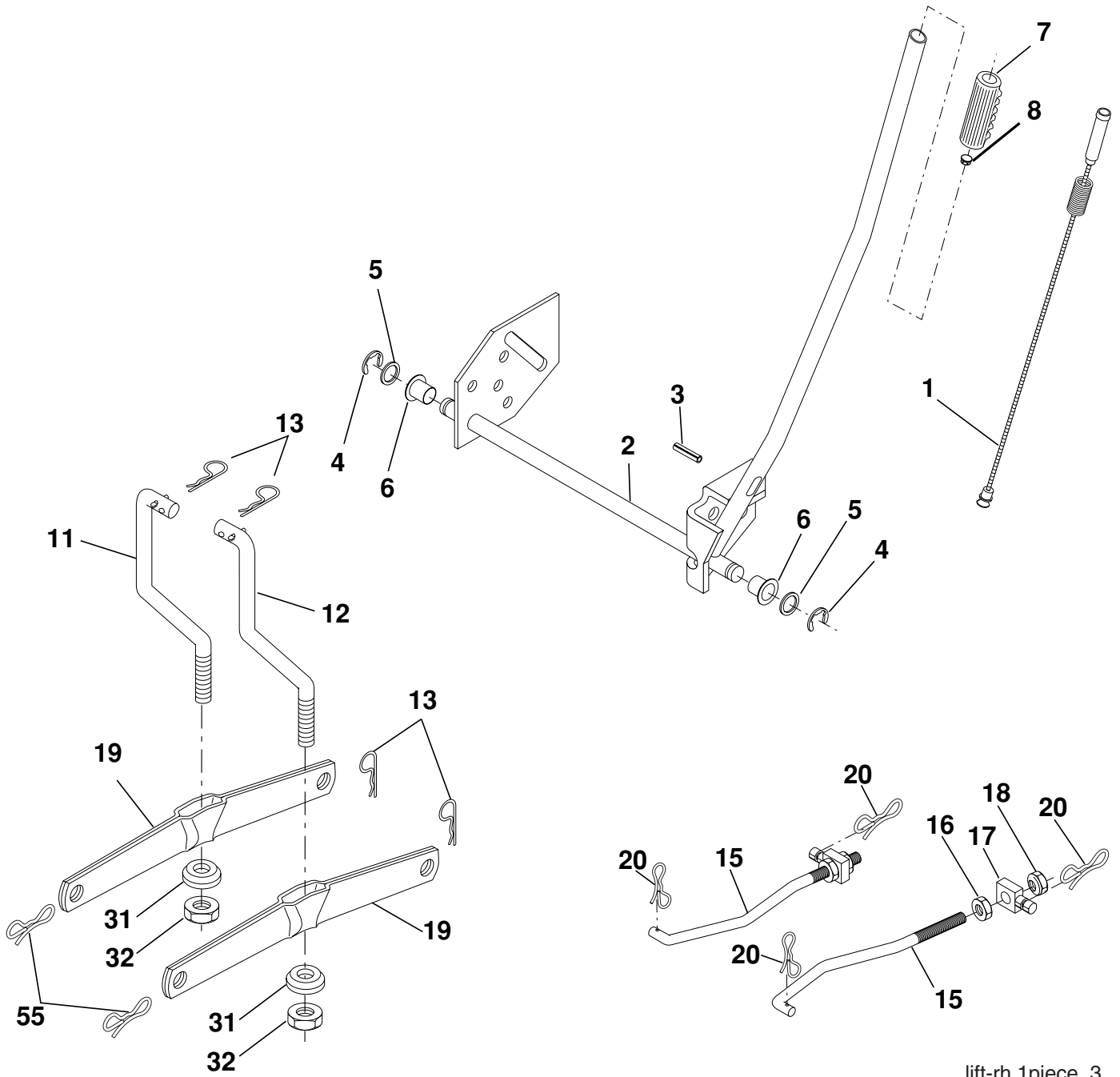
TRACTOR - MODEL NO. LT2116 (96011022300), PRODUCT NO. 960 11 02-23
MOWER DECK

KEY NO.	PART NO.	DESCRIPTION	KEY NO.	PART NO.	DESCRIPTION
1	532 19 25-56	Mower Housing Assembly	89	819 13 13-11	Washer 13/32 x 13/16 x 11 Ga.
2	872 14 05-06	Bolt Carriage 5/16-18 x 3/4	92	873 80 06-00	Nut Lock Hex W/Ins. 3/8-16 unc
3	532 13 80-17	Bracket Asm Fr. Sway Bar	107	532 13 35-02	Spacer Retainer
4	532 19 25-68	Bracket Deck Sway Bar 38"/42"	108	532 13 35-03	Stiffener, Idler Arm
5	532 12 46-70	Retainer Spring	122	532 19 25-75	Rod, Brake LH
6	532 17 80-24	Bar Sway Deck	123	532 19 25-76	Rod, Brake RH
7	873 80 05-00	Nut Lock Hex w/Ins. 5/16-18 unc	129	819 13 13-12	Washer 13/32 x 13/16 x 12 Ga.
8	532 19 30-03	Bolt 3/8-24 x 1.25 Gr. 8	130	874 78 06-16	Bolt Fin Hex 3/8-16 unc x 1. Gr. 5
11	532 19 39-57	Blade Mower	131	872 14 06-08	Bolt Rdhd Sqnk 3/8-16 unc x 1
13	532 19 28-72	Shaft Assembly, Mandrel, Vented	144	532 19 34-14	Keeper Belt Idler Tension
14	532 18 72-81	Housing, Mandrel, Vented	148	532 16 90-22	Spring Return Idler
15	532 11 04-85	Bearing, Ball, Mandrel	149	532 16 58-98	Retainer Spring Yellow
18	872 14 05-05	Bolt Rdhd Sqnk 5/16-18 x 5/8	150	819 09 12-10	Washer 9/32 x 3/4 x 10 Ga.
19	532 13 28-27	Bolt, Shoulder	152	532 19 32-35	Clutch Cable 38"/46"
20	532 40 00-95	Baffle Vortex Front	158	817 72 04-08	Screw Hex Thd Cut 1/4-20 x 1/2
21	873 68 05-00	Nut	185	532 18 82-34	Head Asm Cable Clutch
23	532 19 25-57	Bracket, Mower Deflector	186	817 49 06-44	Screw Hex Wsh Thdrol 3/8-16 x 2-3/4
24	532 10 53-04	Cap, Sleeve	187	532 19 34-12	Keeper Belt
25	532 19 70-26	Spring, Torsion, Deflector	188	532 16 58-91	Bolt Carriage Idler
26	532 11 04-52	Nut, Push	189	532 19 25-59	Stand, Brake
27	532 40 14-72	Shield, Deflector	190	532 19 25-60	Arm, Brake
29	532 13 14-91	Rod, Hinge	191	532 19 25-61	Spacer, Brake
30	532 17 39-84	Screw Thdrol.	193	532 19 34-13	Keeper Belt Rh Mandrel
31	532 18 76-90	Washer, Spacer	194	532 19 41-05	Guard Brake
32	532 15 35-32	Pulley, Mandrel	195	819 13 32-10	Washer
33	532 40 02-34	Nut, Toplock	196	532 19 37-82	Bolt/Washer Asm 5/16-18
36	532 13 14-94	Pulley, Idler, Flat	--	532 19 25-58	Brake Assembly (Includes Stand, Arm and Guard Components)
37	532 19 31-98	Pulley Idler Flat	--	532 19 28-70	Mandrel Assembly (Includes Hous- ing, Shaft and Shaft Hardware Only - Pulley Not Included)
40	873 68 06-00	Nut, Crownlock 3/8-16 unc	--	532 19 36-46	Replacement Mower, Complete
45	532 12 47-88	Retainer			
55	532 13 38-40	Idler Arm Assembly			
56	532 16 57-23	Spacer, Retainer			
67	532 10 69-32	Knob			
68	532 19 32-14	V-Belt			
72	532 19 32-16	Spring Brake Return			

NOTE: All component dimensions given in U.S. inches
1 inch = 25.4 mm

REPAIR PARTS

TRACTOR - MODEL NO. LT2116 (96011022300), PRODUCT NO. 960 11 02-23
MOWER LIFT



lift-rh.1piece_3

REPAIR PARTS

TRACTOR - MODEL NO. LT2116 (96011022300), PRODUCT NO. 960 11 02-23
MOWER LIFT

KEY NO.	PART NO.	DESCRIPTION
1	532 19 84-17	Washer Asm Inner Spring W/Plunger
2	532 19 80-70	Shaft Asm. Lift
3	532 18 88-22	Pin Groove
4	812 00 00-02	E Ring #5133-62
5	819 21 16-21	Washer 21/32 x 1 x 21 Ga.
6	532 12 01-83	Bearing Nylon
7	532 10 94-13	Grip Handle
8	532 12 23-65	Button Plunger
11	532 13 98-65	Link Lift LH
12	532 13 98-66	Link Lift RH
13	532 12 46-70	Retainer Spring
15	532 17 32-88	Link Front
16	873 35 08-00	Nut Jam Hex 1/2-13 unc
17	532 17 56-89	Trunnion
18	873 80 08-00	Nut Lock W/Wsh 1/2-13 unc
19	532 13 98-68	Arm Suspension Mower
20	532 19 42-09	Retainer Spring
31	532 16 98-65	Bearing Pvt. Lift
32	873 54 06-00	Nut Crownlock 3/8-24
55	532 19 42-08	Pin Cotter 5/16 Bow Tie Lock

NOTE: All component dimensions given in U.S. inches
1 inch = 25.4 mm