

LT2122A2

Spare parts

Ersatzteile

Pièces détachées

Reserve onderdelen

Repuestos

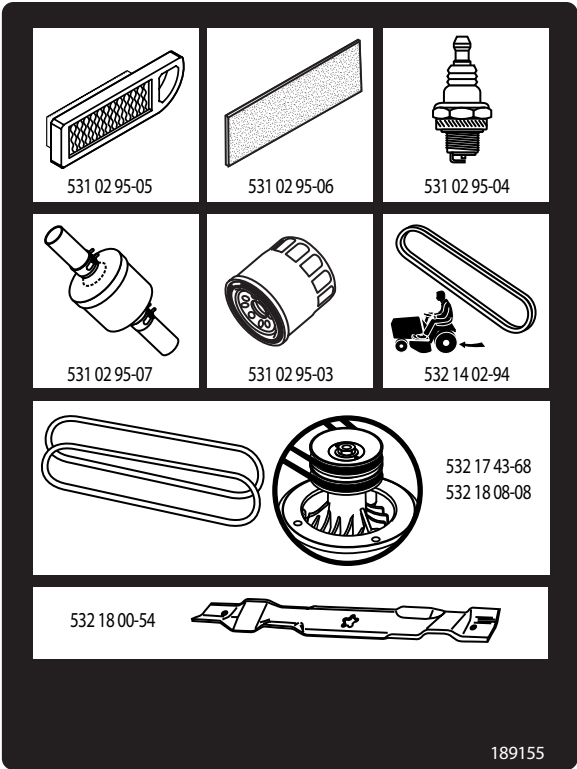
Reservdelar

ILLUSTRATED PARTS LIST

MODEL NO. 96011013000

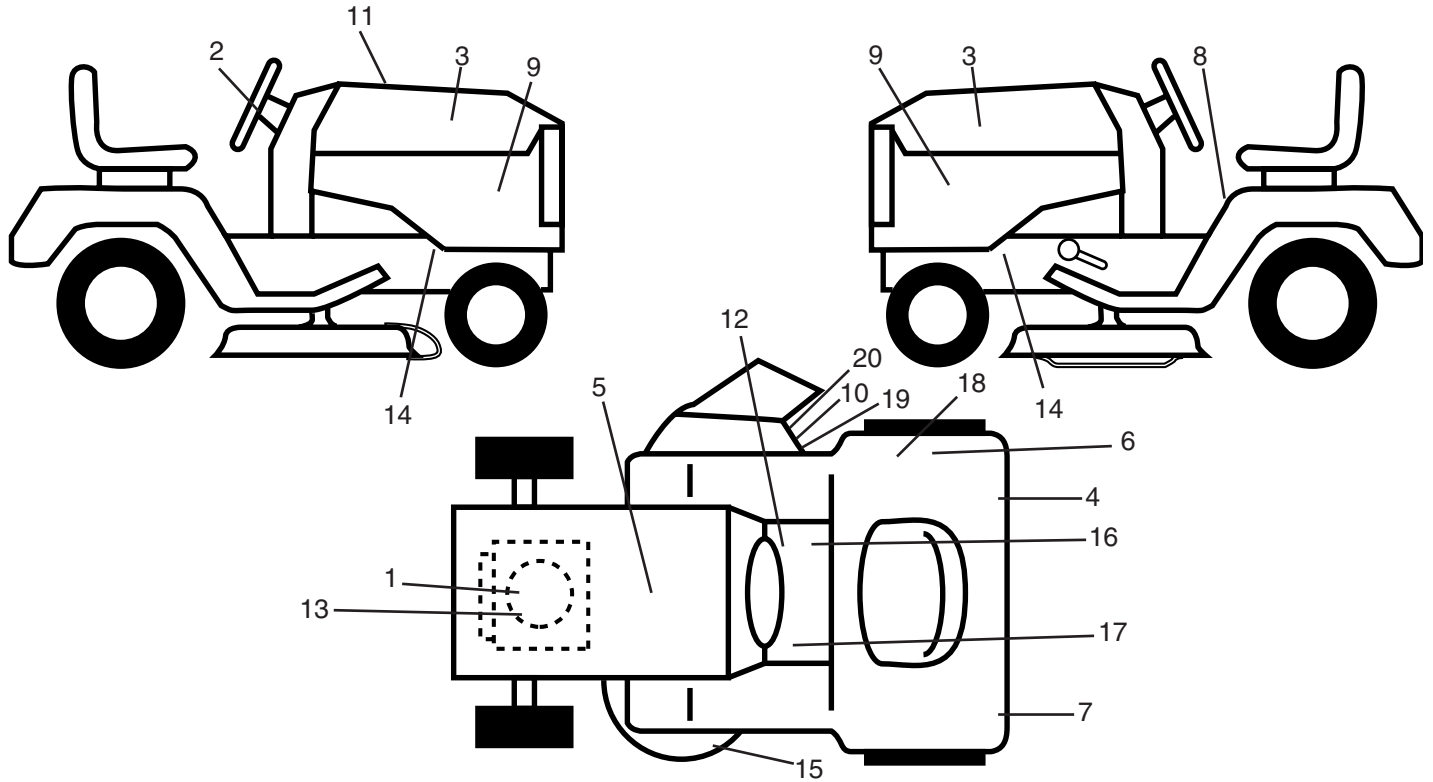
CUSTOMER CATALOG NO. LT2122A2

PRODUCT NO. 960 11 01-30



REPAIR PARTS

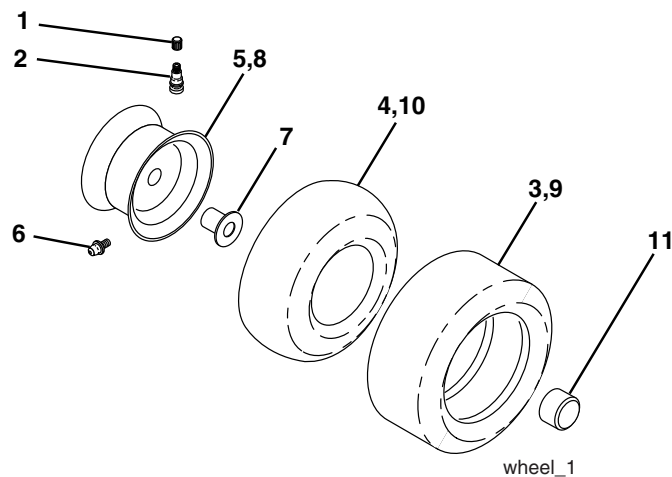
TRACTOR - MODEL NUMBER LT2122A2 (96011013000), PRODUCT NO. 960 11 01-30
DECALS



KEY NO.	PART NO.	DESCRIPTION
1	532 19 68-41	Decal, Warning, Eng.
2	532 18 57-73	Decal, Ins. Strg. Whl.
3	532 18 95-53	Decal, Hood
4	532 40 17-47	Decal, Fender
5	532 14 50-05	Decal, Btry DNGR/PSN P/L Sym.
6	532 18 04-33	Decal, DB/CE
7	532 18 39-30	Decal, Fender
8	532 40 03-89	Decal, Warning Symbols
9	532 18 88-76	Decal, Side Panel
10	532 18 21-66	Decal, Mower Cutfingher
11	532 18 91-55	Decal, Repalcement
12	532 14 08-37	Decal, Saddle Brake Parking
13	532 18 86-68	Decal, Eng. HP
14	532 15 97-36	Decal, Chassis Hot Muffler

KEY NO.	PART NO.	DESCRIPTION
15	532 17 52-91	Decal, V-Belt
16	532 17 83-02	Decal, Oper Cruise
17	532 15 97-37	Decal, Brake/Clutch Symbol LT
19	532 19 63-57	Decal, Warning Cutfingher
20	532 19 68-42	Decal, Sym, Cutfingher
--	532 16 25-98	Decal, Drawbar Load Limit
--	532 16 69-60	Decal, By Pass Lt Hydro
--	532 19 17-87	Pad, Footrest LH STLT
--	532 19 17-86	Pad, Footrest RH STLT
--	532 40 09-55	Manual, Operator's (Euro)
--	532 40 09-56	Manual, Operator's (Scan)
--	532 40 14-79	Manual, Operator's (Ebloc)
--	532 40 14-80	Manual, Operator's (Baltic)

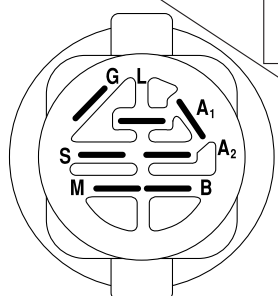
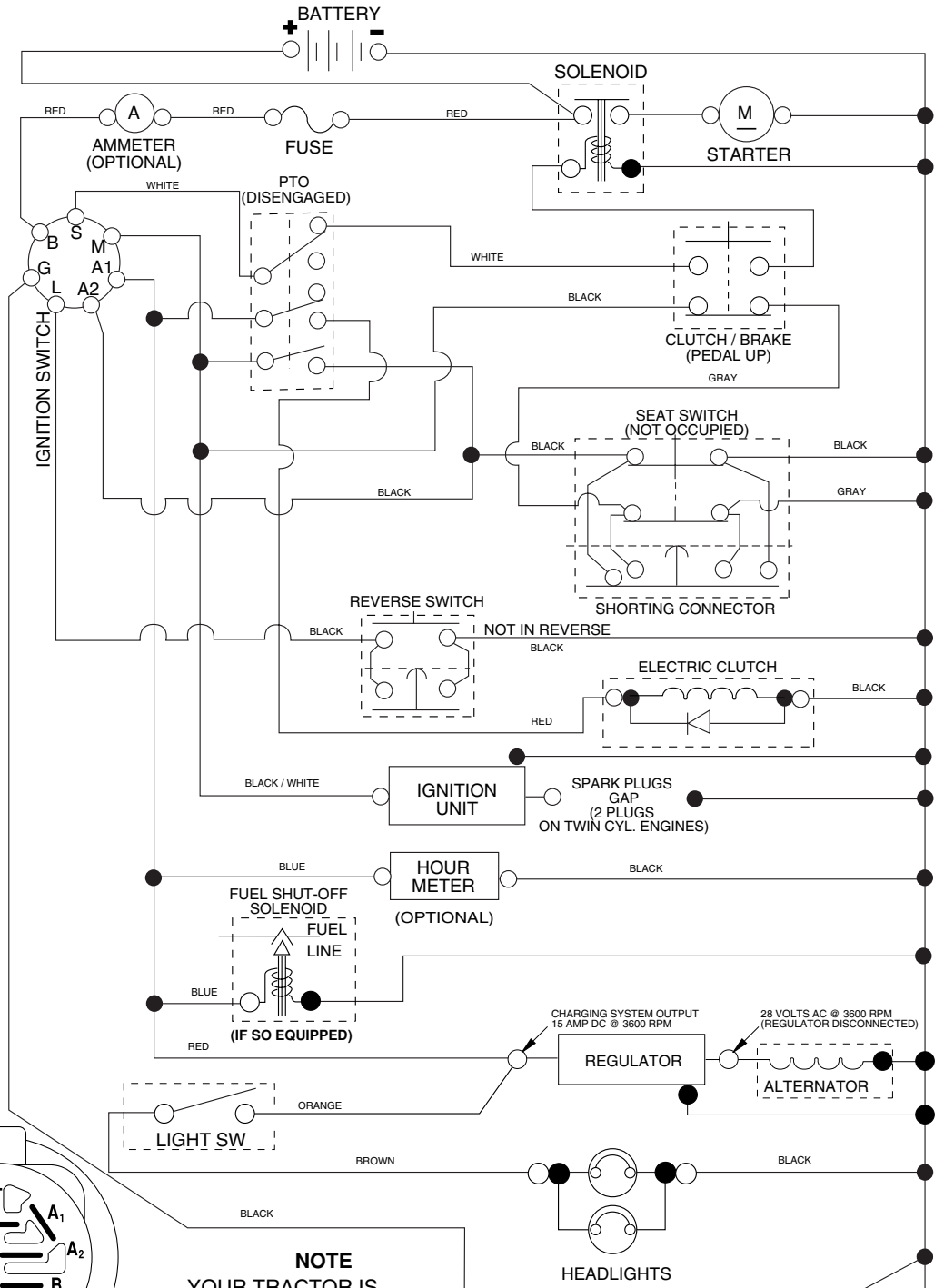
WHEELS & TIRES



KEY NO.	PART NO.	DESCRIPTION
1	532 05 91-92	Cap Valve Tire
2	532 06 51-39	Stem Valve
3	532 10 62-22	Tire F Ts 15 x 6 0 - 6 Service
4	532 05 99-04	Tube Front (Service Item Only)
5	532 13 83-36	Rim Asm 6" front Silver Service
6	532 12 49-57	Fitting Grease (Front Wheel Only)
7	532 12 49-59	Bearing Flange (Front Wheel Only)
8	532 13 83-37	Rim Asm 8"rear Silver Service
9	532 12 20-82	Tire R Ts 20 10 C Service
10	532 12 49-26	Tube Rear (Service Item Only)
11	532 17 50-39	Cap, Hub Axle Blk 1.50 x 1.00
--	532 14 43-34	Tire, Sealant (10 oz. Tube)

NOTE: All component dimensions given in U.S. inches
1 inch = 25.4 mm

TRACTOR - MODEL NUMBER LT2122A2 (96011013000), PRODUCT NO. 960 11 01-30 SCHEMATIC



IGNITION SWITCH

POSITION	CIRCUIT "MAKE"
OFF	M+G+A1
RUN/OVERRIDE	B+A1
RUN	B+A1 L+A2
START	B + S + A1

03121

NOTE

YOUR TRACTOR IS EQUIPPED WITH A SPECIAL ALTERNATOR SYSTEM. THE LIGHTS ARE NOT CONNECTED TO THE BATTERY, BUT HAVE THEIR OWN ELECTRICAL SOURCE. BECAUSE OF THIS, THE BRIGHTNESS OF THE LIGHTS WILL CHANGE WITH ENGINE SPEED. AT IDLE THE LIGHTS WILL DIM. AS THE ENGINE IS SPEEDED UP, THE LIGHTS WILL BECOME THEIR BRIGHTEST.

NON-REMOVABLE CONNECTIONS

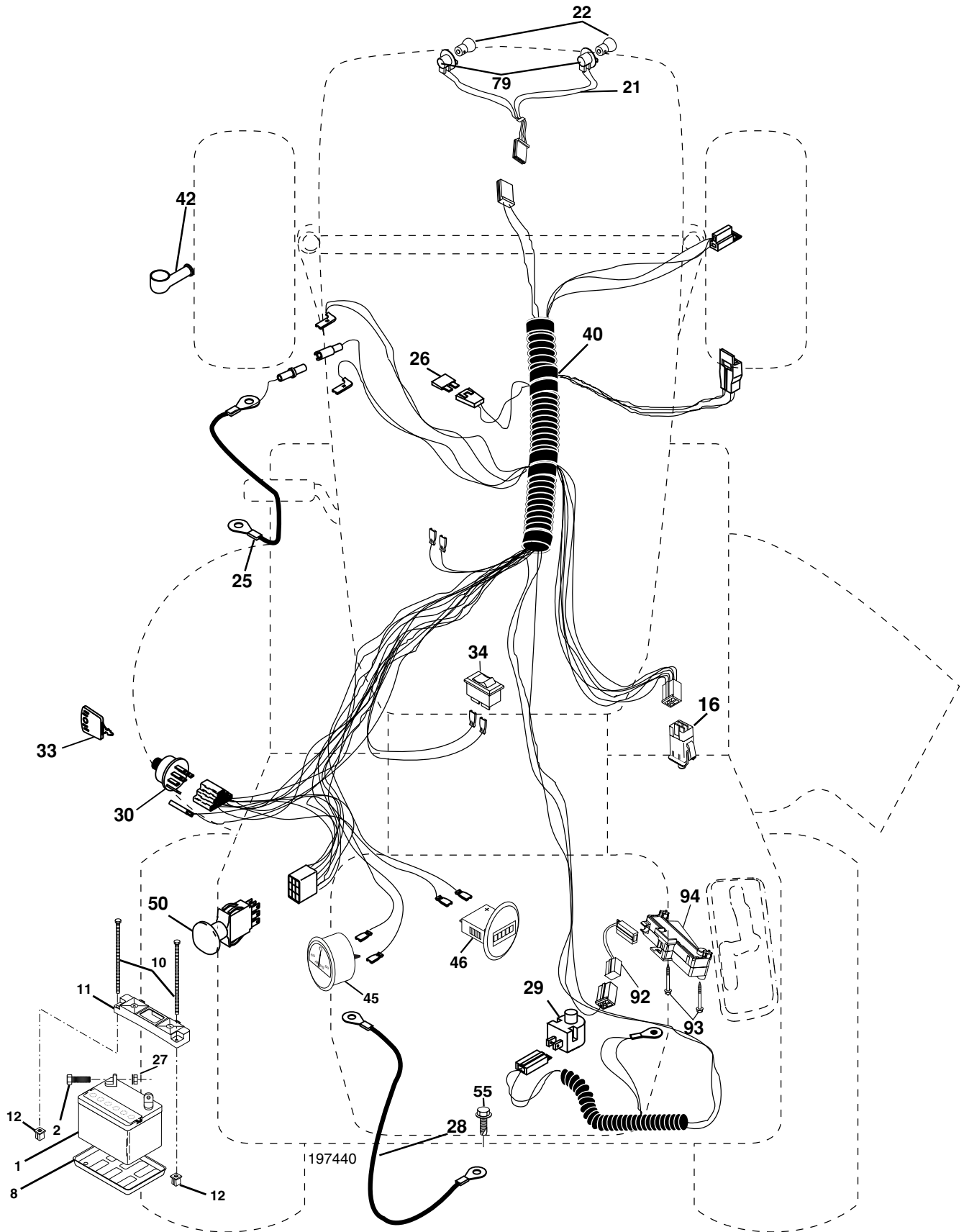
REMOVABLE CONNECTIONS

WIRING INSULATED CLIPS

NOTE: IF WIRING INSULATED CLIPS WERE REMOVED FOR SERVICING OF UNIT, THEY SHOULD BE REPLACED TO PROPERLY SECURE YOUR WIRING.

REPAIR PARTS

TRACTOR - MODEL NUMBER LT2122A2 (96011013000), PRODUCT NO. 960 11 01-30
ELECTRICAL



REPAIR PARTS

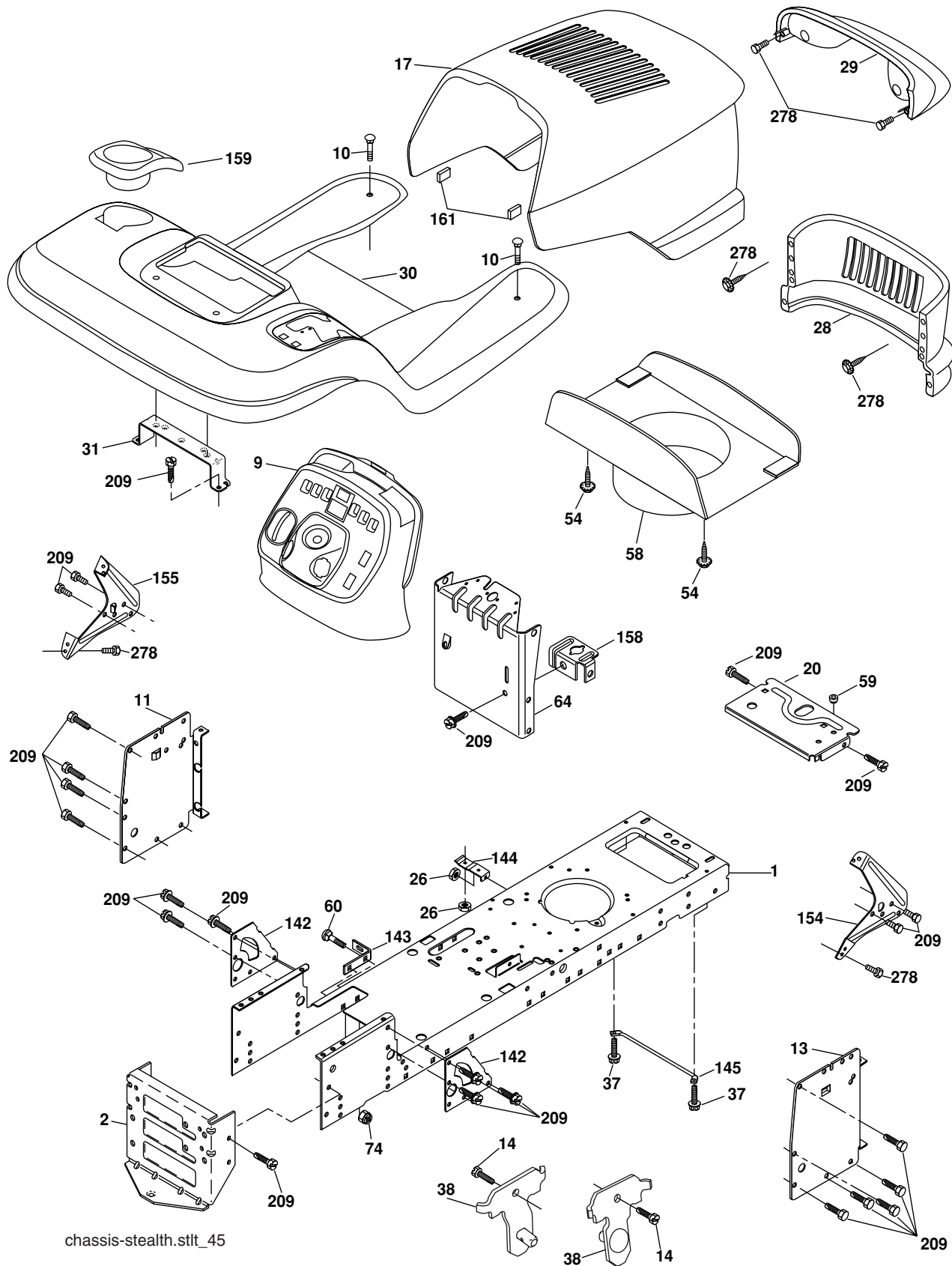
TRACTOR - MODEL NUMBER LT2122A2 (96011013000), PRODUCT NO. 960 11 01-30
ELECTRICAL

KEY NO.	PART NO.	DESCRIPTION
1	532 14 49-27	Battery
2	874 76 04-12	Bolt Hex Hd 1/4-20 unc x 3/4
8	532 12 48-86	Tray Brty 7.80 x 5.25 Blk
10	532 14 52-11	Bolt Btr Frt 1/4-20 x 7.5 zinc
11	532 15 01-09	Holddown Battery mount
12	532 14 57-69	Nut Push Nylon 1/4 Battery Frt.
16	532 17 61-38	Switch Interlock Push-In
21	532 17 56-88	Harness Asm Light W/4152j
22	532 00 41-52	Bulb Light #1156
25	532 18 68-46	Cable Battery
26	532 17 51-58	Fuse
27	873 51 04-00	Nut Keps Hex 1/4-20 unc
28	532 14 54-91	Cable Ground 21" Blk 6 Ga 90T
29	532 19 27-49	Switch Seat
30	532 19 33-50	Switch Ignition
33	532 14 04-01	Key Ignition
34	532 11 07-12	Switch Light
40	532 19 74-40	Harness Ignition
42	532 15 43-36	Cover Terminal
45	532 17 75-00	Ammeter
46	532 17 75-01	Meter Hour
50	532 17 46-51	Switch PTO
55	817 49 05-08	Screw Thdrol 5/16-18 x 1/2 Typ
79	532 17 52-42	Bulbholder

NOTE: All component dimensions given in U.S. inches
1 inch = 25.4 mm.

REPAIR PARTS

TRACTOR - MODEL NUMBER LT2122A2 (96011013000), PRODUCT NO. 960 11 01-30
CHASSIS AND ENCLOSURES



REPAIR PARTS

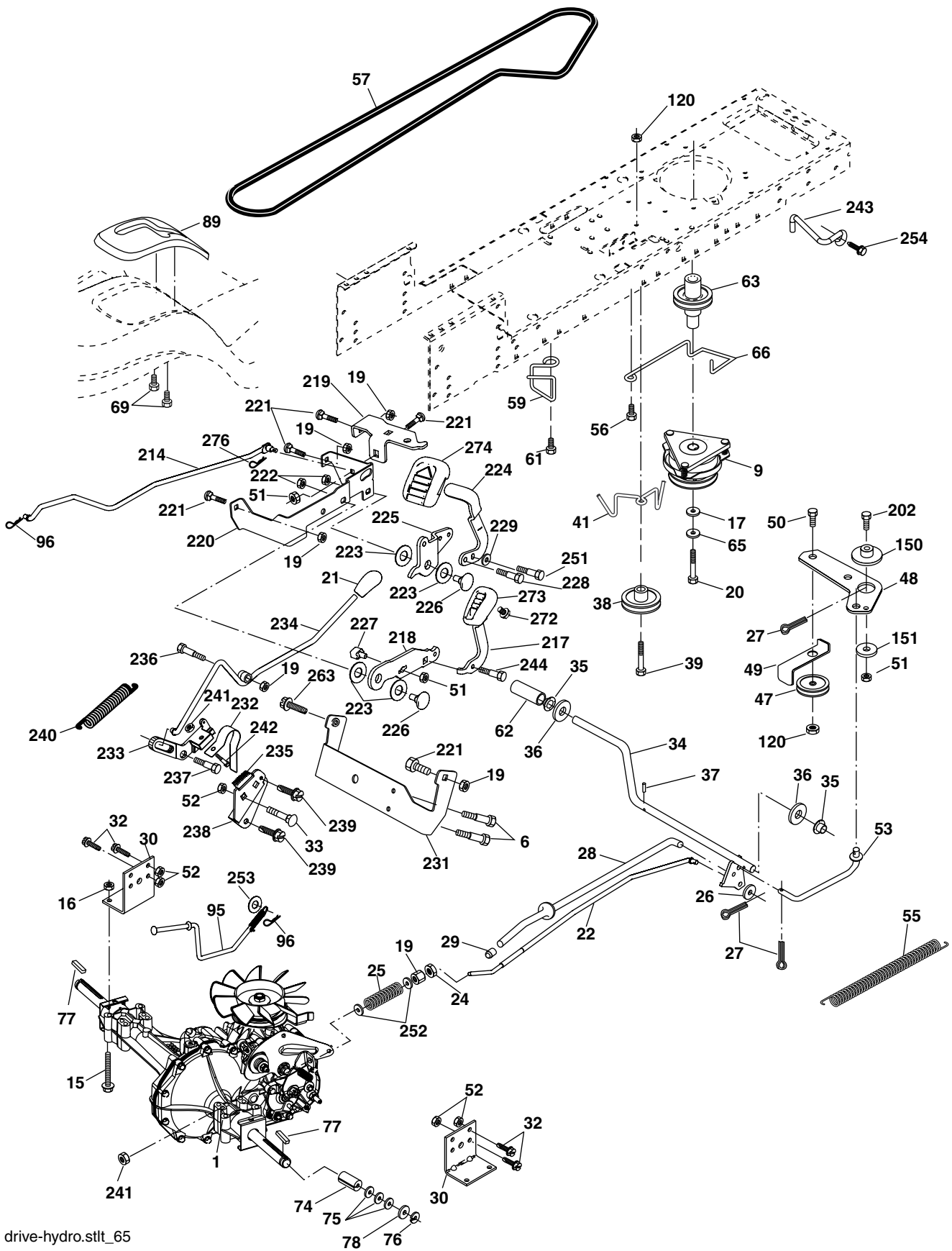
TRACTOR - MODEL NUMBER LT2122A2 (96011013000), PRODUCT NO. 960 11 01-30
CHASSIS AND ENCLOSURES

KEY NO.	PART NO.	DESCRIPTION
1	532 17 46-19	Chassis Stamping
2	532 17 65-54	Drawbar
9	532 19 42-98	Dashboard
10	872 14 06-08	Bolt Rdhd Sqnk 3/8-16 unc x 1
11	532 16 72-03	Panel Dash Lh
13	532 17 82-98	Panel Dash Rh
14	817 49 06-08	Screw Thdrol 3/8-16 x 1/2
17	532 18 13-51	Hood
20	532 16 20-26	Plate Mtg Battery/Fuel Tank
26	873 80 06-00	Nut Lock w/Insert 3/8-16 unc
28	532 18 13-52	Grille
29	532 17 97-61	Light Box Asm (w/Lens)
30	532 40 14-91	Fender
31	532 13 99-76	Bracket
37	817 49 05-08	Screw Thdrol 5/16-18 x 1/2
38	532 17 57-10	Bracket Asm Pivot Mower Rear
54	532 19 25-12	Screw Hex Wshd 10-32 x 5/8
58	532 17 53-51	Duct Air
59	532 18 74-95	Bushing Snap
60	872 14 06-06	Bolt RDHD SQNK 3/8-16 x 3/4
64	532 17 49-97	Dash Lower Stlt
74	873 68 06-00	Nut Crownlock 3/8-16
142	532 17 57-02	Plate Reinforcement
143	532 18 66-89	Bracket Swaybar Chassis
144	532 17 55-82	Bracket Ft Rest
145	532 15 65-24	Rod Pivot Chassis Hood
154	532 16 18-97	Bracket Dash RH
155	532 16 19-00	Bracket Dash LH
158	532 16 20-37	Parking Brake Brkt
159	532 18 13-55	Cupholder YTGT Grey
161	532 16 46-55	Extrusion Bumper
209	817 00 06-12	Screw Hexwsh Thdr 3/8-16 c-x 3/4
278	532 19 16-11	Screw 10 x 3/4 Single Lead-Hex

NOTE: All component dimensions given in U.S. inches
1 inch = 25.4 mm.

REPAIR PARTS

TRACTOR - MODEL NUMBER LT2122A2 (96011013000), PRODUCT NO. 960 11 01-30
DRIVE



REPAIR PARTS

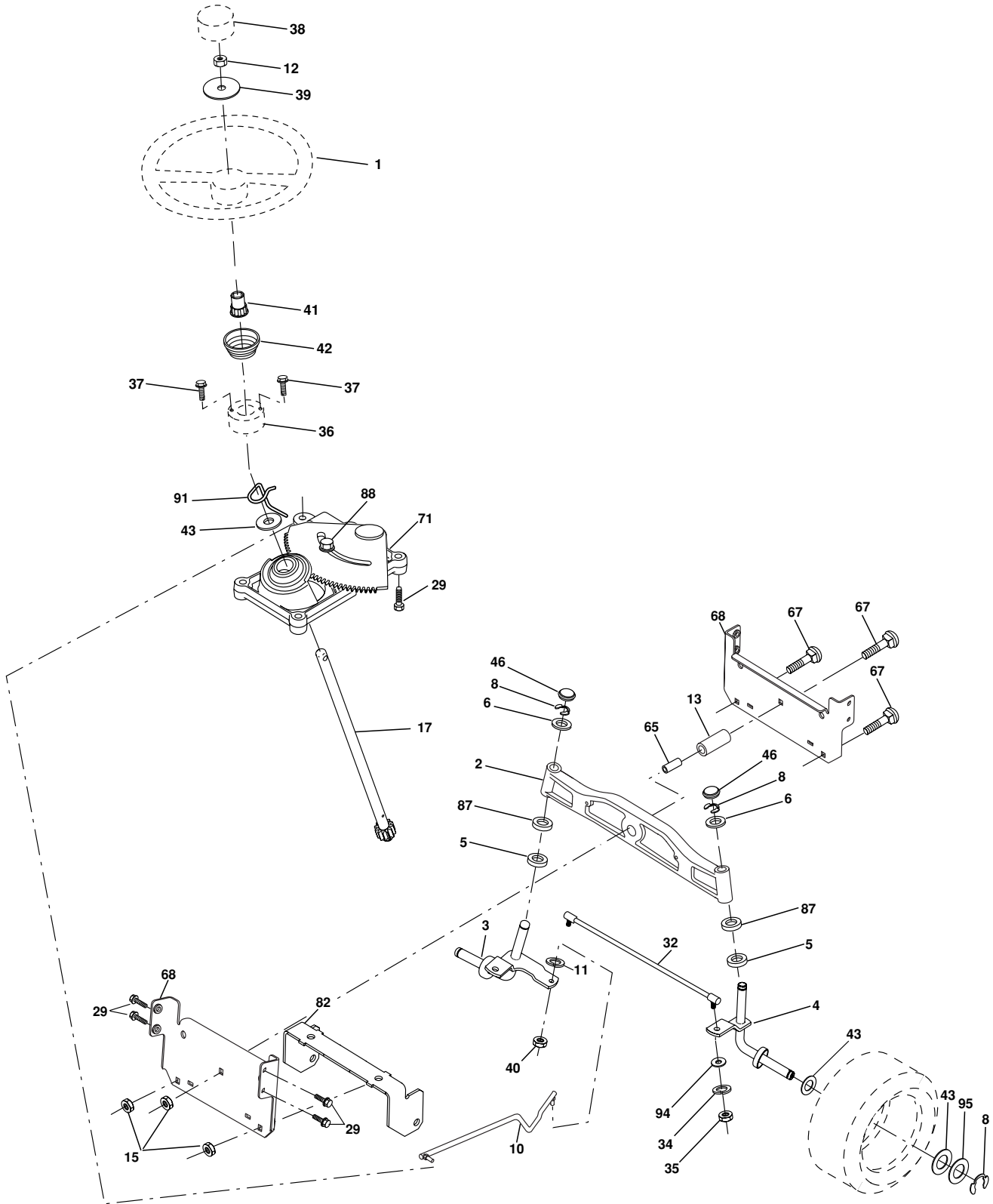
TRACTOR - MODEL NUMBER LT2122A2 (96011013000), PRODUCT NO. 960 11 01-30
DRIVE

KEY NO.	PART NO.	DESCRIPTION	KEY NO.	PART NO.	DESCRIPTION
1	-----	Transaxle (Order parts from trans- axle manufacturer) Hydro Gear Model 347-0510	78	532 12 17-48	Washer 25/32 x 1-5/8 x 16 Ga.
6	817 06 05-12	Screw 5/16-18 x 3/4	89	532 19 22-59	Console, Shift
9	532 17 93-34	Clutch Elec	95	532 19 56-31	Bypass Asm
15	874 49 05-44	Bolt Hex Flghd 5/16-18 Gr. 5	96	532 12 47-88	Retainer Spring 1" Zinc/Cad
16	873 80 05-00	Nut Lock Hex W/Ins. 5/16-18 unc	120	873 90 06-00	Nut Lock Flg 3/8-16 unc
17	532 12 61-97	Washer 1-1/2 OD x 15/32 ID x .250	150	532 17 54-56	Spacer Retainer
19	873 80 06-00	Nut Lock Hex W/Wsh 3/8-16 Unc	151	819 13 32-10	Washer 13/32 x 2 x 10 Ga.
20	532 17 39-37	Bolt Hex 7/16-20 x 4 x Gr. 5-1.5	202	872 11 06-14	Bolt Rdhd 3/8-16 x 1-3/4 Gr. 5
21	532 18 14-54	Knob Custom Control Cruise	214	532 17 47-35	Link Transaxle
22	532 17 58-96	Rod, Brake	217	532 17 94-33	Pedal Reverse Asm
24	873 35 06-00	Nut, Hex Jam 3/8-16 unc	218	532 17 47-13	Arm Control Pedal Reverse
25	532 19 20-36	Spring, Brake Rod	219	532 17 48-39	Bracket Frest Pdl Ctrl. Hyd
26	819 13 13-16	Washer	220	532 17 47-11	Bracket Mtg. Pedal Control
27	876 02 04-12	Pin Cotter 1/8 x 3/4 CAD.	221	872 14 06-06	Bolt Rdhd Sqnk 3/8-16 unc x 3/4
28	532 17 57-65	Rod, Parking Brake	222	873 68 07-00	Nut Crownlock 7/16-14 unc
29	532 07 16-73	Cap, Brake, Park	223	532 17 48-40	Washer Nylon 11/16 ID x .060
30	532 16 95-92	Bracket, Transaxle	224	532 17 47-36	Pedal Forward
32	874 76 05-12	Bolt Hex Hd 5/16-18 unc x 3/4	225	532 17 47-12	Arm Control Pedal Forward
33	872 14 05-06	Bolt Rdhd Sqnk 5/16-18 unc x 3/4	226	532 17 49-02	Bolt Pivot Spacer
34	532 17 55-78	Shaft, Foot Pedal	227	532 17 47-10	Cam Reverse Pedal LT
35	532 12 01-83	Bearing, Nylon	228	532 17 90-32	Bolt Shoulder 5/16-18
36	819 21 16-16	Washer	229	532 17 64-51	Washer Serrated 5/16 x .75
37	532 12 49-63	Pin, Roll	231	532 40 25-51	Strap Torque
38	532 17 91-14	Pulley, Composite, Flat	232	532 17 55-70	Actuator Cruise Disengage
39	872 11 06-22	Bolt Rdhd 3/8-16 unc x 2-3/4 Gr. 5	233	532 17 48-56	Pawl Control Cruise
41	532 17 55-56	Keeper, Belt Idler Flat	234	532 17 48-58	Lever Control Cruise
47	532 12 77-83	Pulley, Idler, V-Groove	235	532 17 48-57	Sector Control Cruise
48	532 15 44-07	Bellcrank Clutch Grnd Drw Stl	236	532 12 89-03	Bolt Shoulder 3/8-16 unc 1/44
49	532 12 32-05	Retainer, Belt	237	532 17 01-65	Bolt Shoulder 5/16-18
50	872 11 06-12	Bolt	238	532 17 58-07	Arm Mtg. Cruise Sector
51	873 68 06-00	Nut Crownlock 3/8-16 unc	239	817 49 05-08	Screw Thdrol 5/16 x 1/2
52	873 68 05-00	Nut, Crownlock 5/16-18 unc	240	532 17 56-10	Spring Return Cruise Control
53	532 19 96-52	Link, Clutch	241	873 93 04-00	Nut Centerlock 1/4-20 unc
55	532 10 57-09	Spring, Return, Clutch	242	874 78 04-12	Bolt Fin Hex 1/4-20 unc x .75
56	817 06 06-20	Screw 3/8-16 x 1-1/4	243	532 19 07-36	Bracket Anti-Rotation
57	532 14 02-94	V-Belt, Ground Drive	244	817 49 05-10	Screw 5/16-18 x 5/8
59	532 16 96-91	Keeper, Center Span	251	817 06 05-16	Screw 5/16-18 x 1
61	817 12 06-14	Screw 3/8-16 x .875	252	819 13 16-16	Washer 13/32 x 1 x 16 Ga.
62	532 12 48-72	Cover, Pedal	253	532 17 94-22	Washer .3125 x .615 x 16 Ga.
63	532 17 46-07	Pulley, Engine	254	817 00 06-16	Screw 3/8-16 x 1
65	810 04 07-00	Washer	263	817 00 06-12	Screw Hexwsh Thdr 3/8-16 x 3/4
66	532 15 47-78	Keeper Belt Engine	272	817 67 05-08	Screw Thdrol 5/16-18 x 1/2
69	532 14 24-32	Screw Hex Wsh Hi-Lo 1/4 x 1/2 unc	273	532 17 96-10	Pad Pedal Reverse
74	532 13 70-57	Spacer, Axle	274	532 17 56-46	Cover Pedal Forward
75	532 12 17-49	Washer 25/32 x 1-1/4 x 16 Ga.	276	532 17 80-62	Clip Retainer
76	812 00 00-01	E-Ring			
77	532 12 35-83	Key, Square			

NOTE: All component dimensions given in U.S. inches
1 inch = 25.4 mm.

REPAIR PARTS

TRACTOR - MODEL NUMBER LT2122A2 (96011013000), PRODUCT NO. 960 11 01-30
STEERING ASSEMBLY



REPAIR PARTS

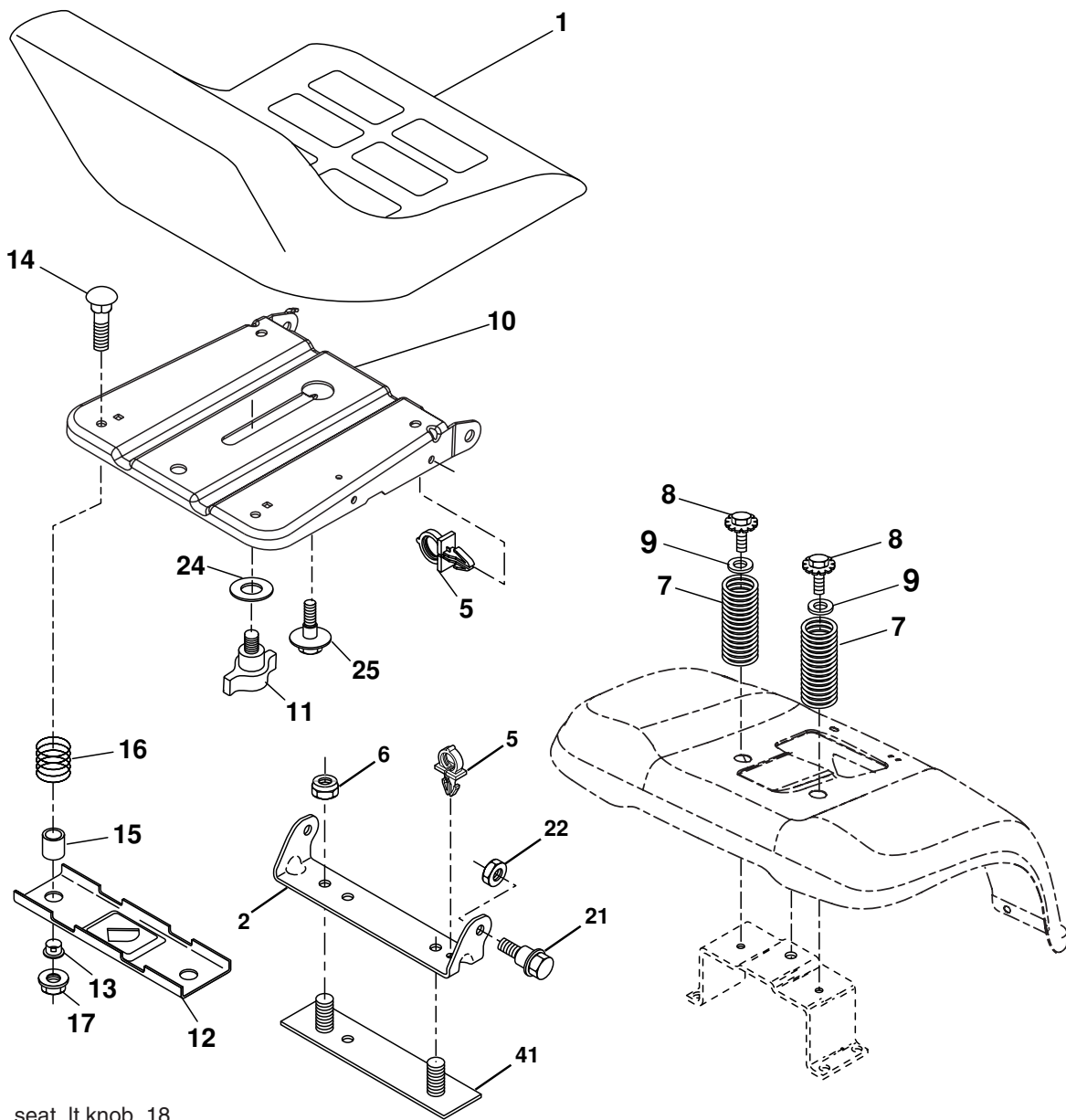
TRACTOR - MODEL NUMBER LT2122A2 (96011013000), PRODUCT NO. 960 11 01-30
STEERING ASSEMBLY

KEY NO.	PART NO.	DESCRIPTION
1	532 19 46-37	Wheel Steering
2	532 18 47-06	Axle Casting Iron Lt
3	532 16 98-40	Spindle Asm LH
4	532 16 98-39	Spindle Asm RH
5	532 12 49-31	Washer Thrust .75 x 1.230
6	532 12 17-48	Washer 25/32 x 1-5/8 x 16 Ga
8	812 00 00-29	Ring Klip #t5304-75
10	532 17 51-21	Draglink
11	810 04 06-00	Washer Lock Hvy Hlcl Spr 3/8
12	873 94 08-00	Nut Hex Jam Toplock 1/2-20 unf
13	532 13 65-18	Spacer Bearing Axle Front
15	532 14 52-12	Nut Hex Flange Lock
17	532 17 78-83	Shaft Asm Strg
29	817 00 06-12	Screw 3/8-16 x 3/4
32	532 18 05-80	Rod Asm Tie
34	810 04 06-00	Washer Lock Hvy HLCL Spr. 3/8
36	532 15 51-05	Bushing Strg
37	532 15 29-27	Screw TT #32.5 x 5 x 3/8 Flange
38	532 19 46-03	Insert Cap Strg Wh
39	819 18 38-12	Washer 9/16 ID x 2-3/8 OD 12 Ga.
40	873 54 06-00	Nut Crownlock 3/8-24
41	532 18 67-37	Adaptor Wheel Strg
42	532 17 71-49	Boot Steering
43	532 12 17-49	Washer 25/32 x 1 1/4 x 16 Ga.
46	532 12 12-32	Cap Spindle Fr Top Blk
65	532 16 03-67	Spacer Axle Brace
67	872 11 06-18	Bolt Rdhd Sqnk 3/8-16 unc x 2-1/4
68	532 16 98-27	Brace Axle
71	532 17 51-46	Steering Asm.
82	532 19 99-78	Bracket Susp Chassis Front
87	532 17 39-66	Washer Flat .781 x 1-1/2 x .14
88	532 17 51-18	Bolt Shoulder 7/16-20
91	532 17 55-53	Clip Steering
94	819 12 14-14	Washer 3/8 x 7/8 x 14 Ga.
95	532 18 89-67	Washer Harden .793 x 1.637 x 060

NOTE: All component dimensions given in U.S. inches
1 inch = 25.4 mm.

REPAIR PARTS

TRACTOR - MODEL NUMBER LT2122A2 (96011013000), PRODUCT NO. 960 11 01-30
SEAT ASSEMBLY



seat_lt.knob_18

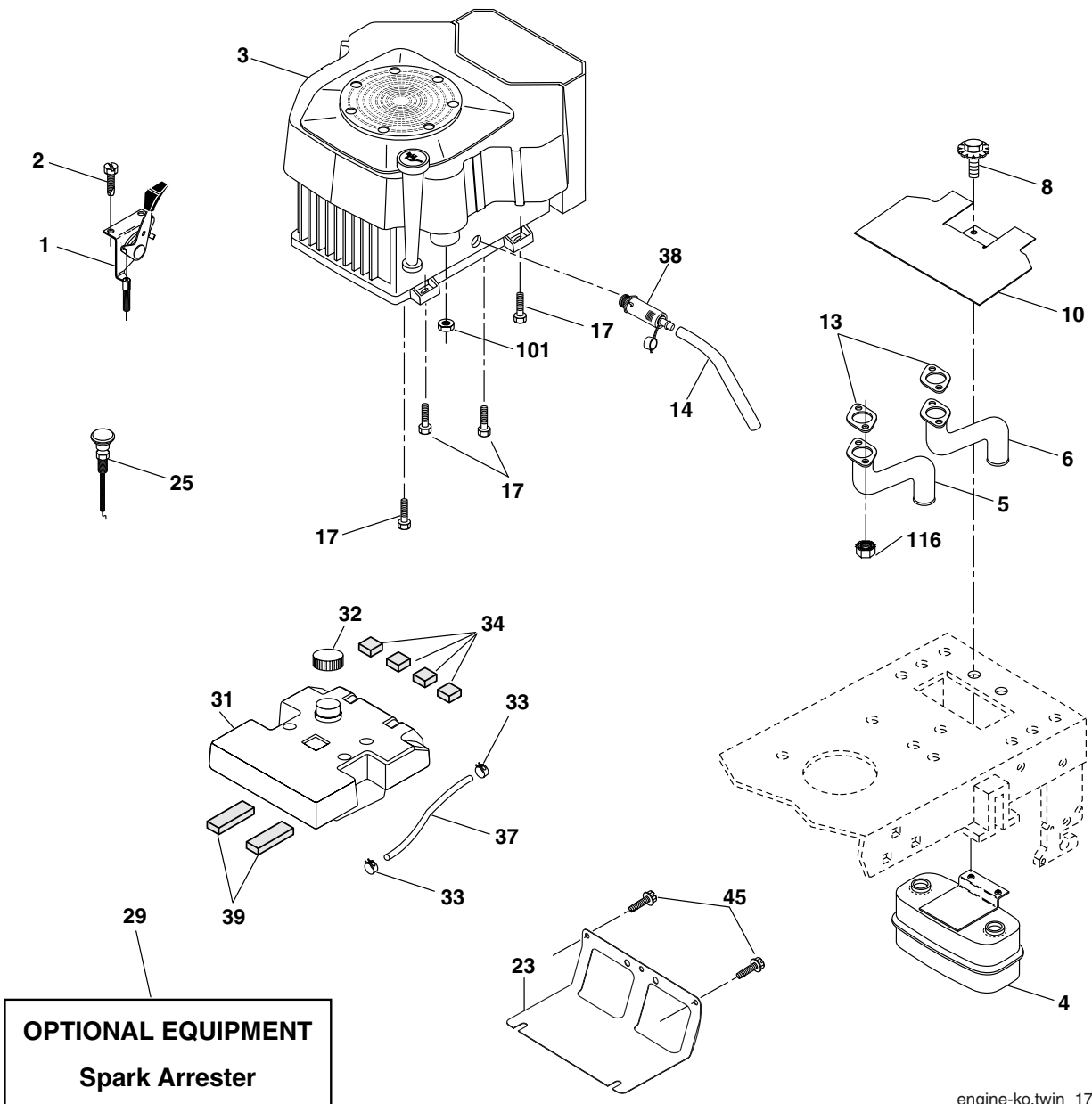
KEY NO.	PART NO.	DESCRIPTION
1	532 40 10-43	Seat
2	532 14 05-51	Bracket Pivot
5	532 14 50-06	Clip Push-In Hinged
6	873 80 06-00	Nut Lock Hex w/Ins. 3/8-16 unc
7	532 12 41-81	Spring Seat Cprsn 2 250 Blk Zi
8	817 00 06-16	Screw 3/8-16 x 1
9	819 13 16-14	Washer 13/32 x 1 x 14 Ga.
10	532 19 55-30	Pan Seat
11	532 16 63-69	Knob Seat
12	532 17 46-48	Bracket Mounting Switch
13	532 12 12-48	Bushing Snap Blk Nyl 50 Id

KEY NO.	PART NO.	DESCRIPTION
14	872 05 04-12	Bolt Rdhd Sht Nk 1/4-20 x 1-1/2
15	532 12 12-49	Spacer Split 28x 88 Yel Zinc
16	532 12 37-40	Spring Cprsn 1 310 Blk Pnt
17	532 12 39-76	Nut Lock 1/4 Lge Flg Gr. 5 Zinc
21	532 17 18-52	Bolt Shoulder 5/16-18 unc-2A
22	873 80 05-00	Nut Lock Hx W/Ins 5/16-18 unc
24	819 17 19-12	Washer 17/32 x 1-3/16 x 12 Ga.
25	532 12 70-18	Bolt Shoulder 5/16-18 x .62
41	532 14 06-75	Strap Asm Fender

NOTE: All component dimensions given in U.S. inches
1 inch = 25.4 mm.

REPAIR PARTS

TRACTOR - MODEL NUMBER LT2122A2 (96011013000), PRODUCT NO. 960 11 01-30
ENGINE



engine-ko.twin_17

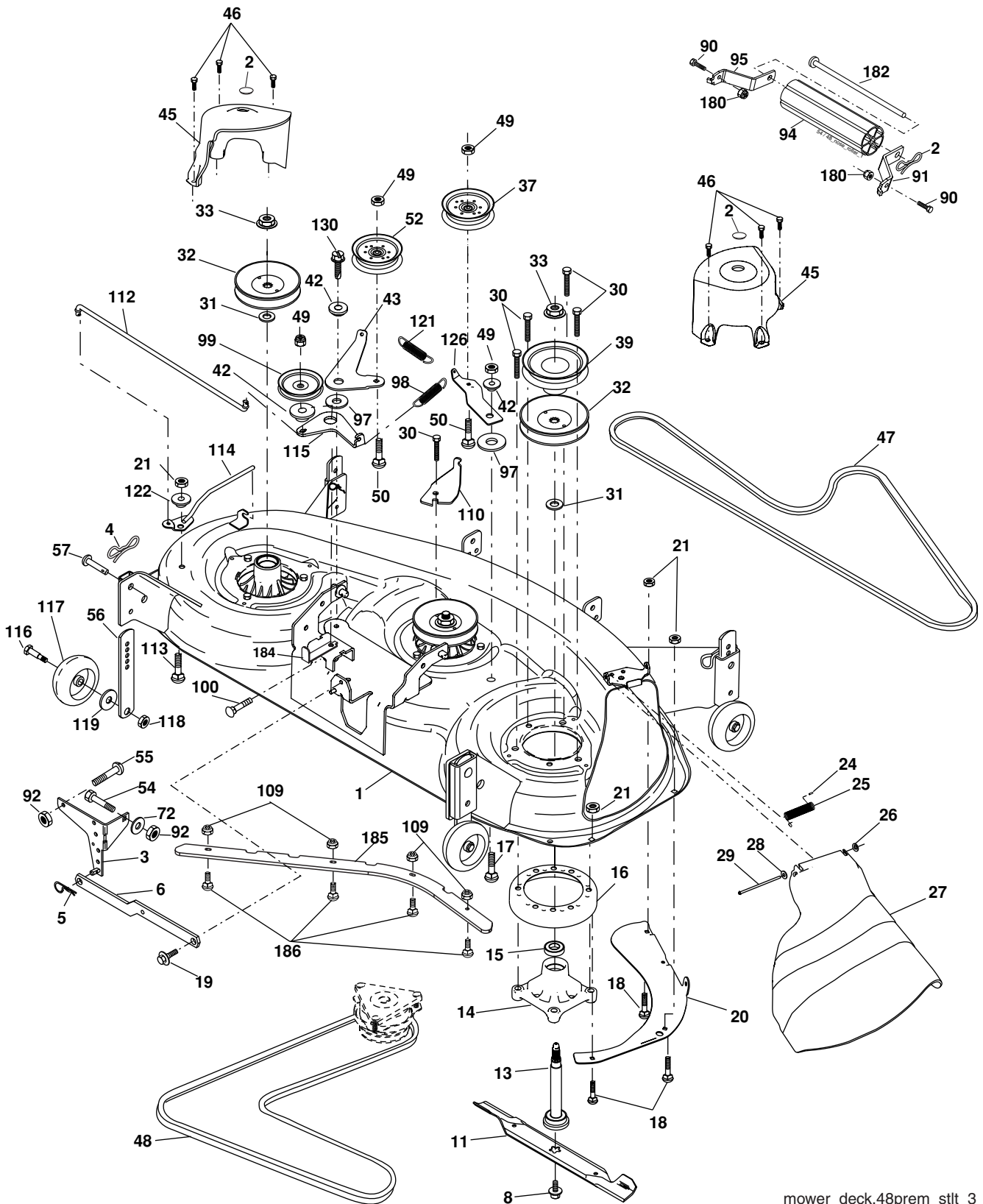
KEY NO.	PART NO.	DESCRIPTION
1	532 17 81-47	Control Throttle
2	532 19 16-11	Screw Single Lead Hex 10 x 3/4
3	-----	Engine Kohler Model # CV674 (Order parts from engine manufacturer)
4	532 14 97-23	Muffler Twin Lo-Twin
5	532 14 66-99	Pipe Exhaust LH
6	532 14 67-00	Pipe Exhaust RH
8	532 17 18-77	Bolt 5/16-18 Unc x 3/4 w/Sems
10	532 14 66-29	Shield Heat Muffler
--	532 16 53-91	Gasket Muffler (Order parts from engine manufacturer)
14	532 14 84-56	Tube Drain Oil Easy
17	817 06 06-24	Screw, Thdrol 3/8-16 x 1-1/2 Tap/R
23	532 16 98-37	Shield Brn/Dbr Guard

KEY NO.	PART NO.	DESCRIPTION
25	532 18 95-41	Choke Control
29	532 13 71-80	Kit Spark Arrestor (Flat Scrn)
31	532 15 71-03	Tank Fuel 3 50 STLT w/o Sensor
32	532 19 77-25	Cap Asm Fuel
33	532 12 34-87	Clamp Hose Blk
34	532 10 60-82	Pad, Spacer
37	532 14 21-58	Line Fuel
38	532 18 16-54	Plug Drain Oil Easy
39	532 10 92-27	Pad, Idler
45	817 00 06-12	Screw Hex Wsh Thdrol 3/8-16
101	532 16 33-05	Nut Flange m8-1.25
116	532 18 43-62	Nut Hex Flange m8-1.25

NOTE: All component dimensions given in U.S. inches
1 inch = 25.4 mm.

REPAIR PARTS

TRACTOR - MODEL NUMBER LT2122A2 (96011013000), PRODUCT NO. 960 11 01-30
MOWER DECK



REPAIR PARTS

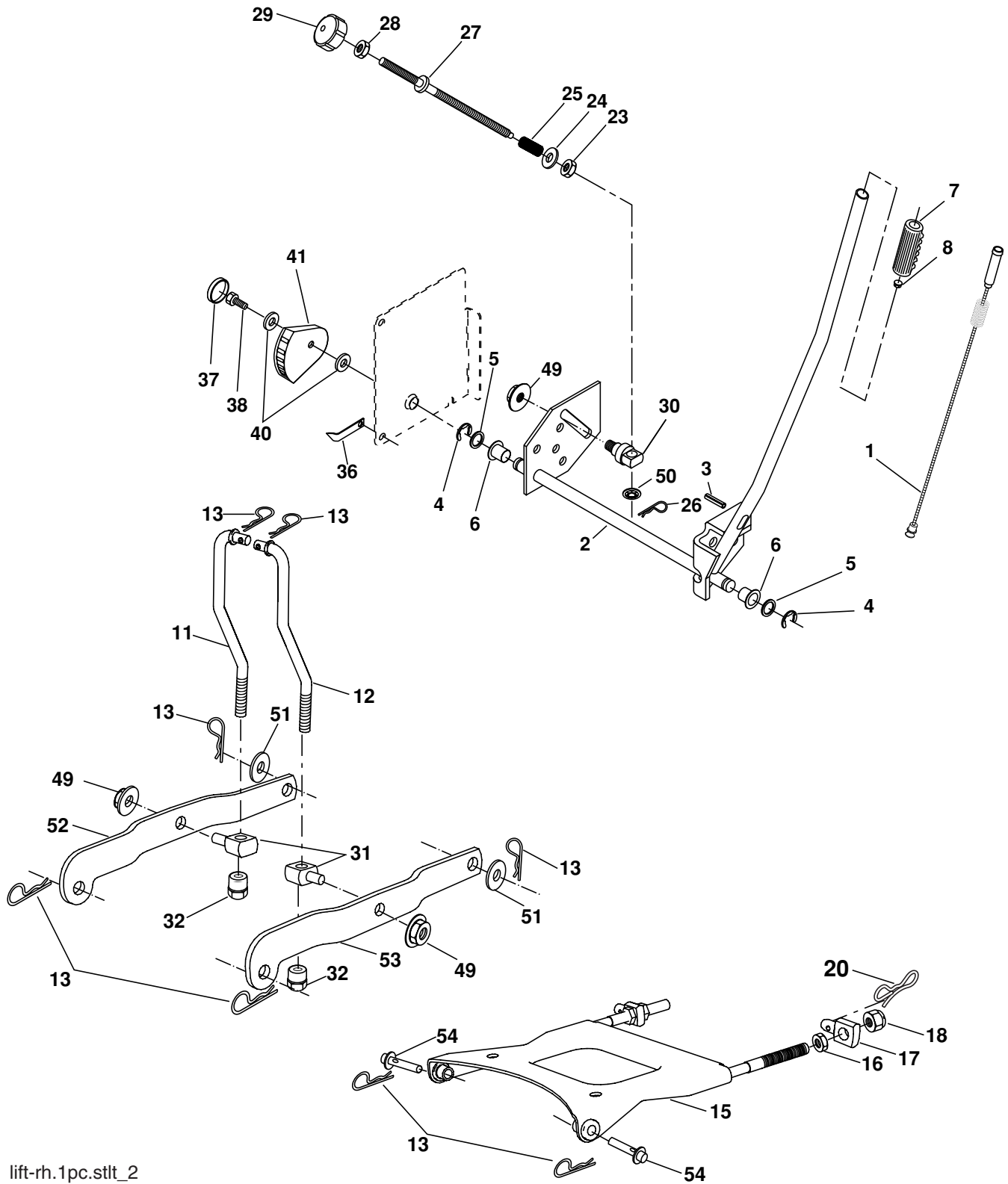
TRACTOR - MODEL NUMBER LT2122A2 (96011013000), PRODUCT NO. 960 11 01-30
MOWER DECK

KEY NO.	PART NO.	DESCRIPTION	KEY NO.	PART NO.	DESCRIPTION
1	532 18 03-58	Deck Weldment Mower 48	55	872 14 06-08	Bolt Rdhd Sqnk 3/8-16 x 1
2	532 19 42-09	Pin Cotter 7/16 Bow Tie Lock	56	532 15 59-86	Bar Pnt Adjusting Wheel Gauge
3	532 13 80-17	Bracket Asm., Sway Bar	57	532 15 69-41	Pin Head Rivet
4	532 19 42-08	Pin Cotter 5/16 Bow Tie Lock	72	819 13 13-12	Washer 13/32 x 13/16 x 12
5	532 12 46-70	Retainer Spring	90	874 76 05-16	Bolt, Fin, Hex 5/16-18 x 1.0
6	532 17 80-24	Bar Sway Deck	91	532 18 05-35	Bracket, Asm Noseroller, RH 48
8	532 17 43-65	Bolt, 7/16 Asm. Blade	92	873 80 06-00	Nut Lock Hex w/Ins 3/8-16
11	532 18 00-54	Blade	94	532 17 60-66	Roller, Nose 48"
13	532 17 43-60	Shaft Asm. greaseable	95	532 18 05-34	Bracket, Asm Noseroller LH 48
14	532 17 43-58	Housing Mandrel 48"	97	532 17 85-15	Washer Hardened
15	532 11 04-85	Bearing, Ball, Mandrel	98	532 17 94-79	Spring Primary Drive
16	532 17 44-93	Stripper, Mower	99	532 19 31-95	Pulley Idler "V"
17	872 11 06-10	Bolt Rdhd Sq Neck 3/8-16 x 1.25	100	872 11 06-16	Bolt RDHD Sqnk 3/8-16 unc x 2
18	872 14 05-05	Bolt, Carriage 5/16-18 x 5/8	109	873 68 04-00	Nut 1/4-20 UNC
19	532 13 28-27	Bolt, Hex Head, Shoulder 5/16-18	110	532 17 50-16	Arm Spring Secondary
20	532 17 43-78	Baffle, Vortex Mower	112	532 17 43-87	Link Tension Relief Lever
21	873 68 05-00	Nut, Crownlock 5/16-18 unc	113	872 11 05-06	Bolt RdhdSqnk 5/16-18 unc x 3/4
24	532 10 53-04	Cap, Sleeve	114	532 17 43-84	Tension Asm Relief Lever
25	532 17 81-02	Spring, Torsion	115	532 17 46-09	Arm Spring Tension Relief
26	532 11 04-52	Nut, Push	116	532 19 34-06	Bolt, Shoulder
27	532 18 17-07	Shield, Deflector Mower	117	532 17 48-73	Gauge Wheel
28	819 11 10-16	Washer 11/32 x 5/8 x 16 Ga.	118	873 93 06-00	Nut, Centerlock 3/8-16 unc
29	532 13 14-91	Rod, Hinge	119	819 12 14-14	Washer 3/8 x 7/8 x 14 Ga.
30	532 17 39-84	Screw, Thdroll, Washer Head	121	532 17 43-71	Spring Secondary Drive
31	532 18 76-90	Washer, Spacer Mower Vented	122	532 17 46-06	Bushing Pivot Tension Relief
32	532 15 35-35	Pulley, Mandrel	126	532 17 43-72	Arm, Idler, Primary Deck
33	532 40 02-34	Nut, Flg. Top Lock	130	817 00 06-16	Screw 3/8-16 x 1.0
37	532 19 31-97	Pulley, Idler	180	873 80 05-00	Nut Lock 5/16-18
39	532 17 43-75	Pulley, Idler, Driven	182	532 17 91-27	Rod Roller Nose
42	532 16 57-23	Spacer, Retainer	184	532 17 39-79	Keeper Belt Idler
43	532 17 43-73	Arm, Idler Secondary	185	532 40 25-73	Baffle Front
45	532 18 08-06	Cover, Mandrel Deck	186	872 14 04-06	Bolt 1/4-20 x 3/4 Gr.5
46	532 13 77-29	Screw, Thdroll. 1/4-20 x 5/8	187	532 17 83-45	Plug Hole Mandrel
47	532 18 08-08	V-Belt, Mower, Secondary	--	532 40 42-11	Replacement Mower, Complete
48	532 17 43-68	V-Belt, Mower, Primary	--	532 17 43-56	Mandrel Assembly (Includes Hous- ing, Shaft and Shaft Hardware Only-Pulley Not Included)
49	873 90 06-00	Nut, Lock 3/8-16 unc			
50	872 11 06-12	Bolt, Carriage 3/8-16 x 1-1/2 Gr. 5			
52	532 19 31-98	Pulley Idler Flat			
54	874 78 06-16	Bolt Fin Hex 3/8-16 x 1			

NOTE: All component dimensions given in U.S. inches
1 inch = 25.4 mm.

REPAIR PARTS

TRACTOR - MODEL NUMBER LT2122A2 (96011013000), PRODUCT NO. 960 11 01-30
MOWER LIFT



lift-rh.1pc.stlt_2

REPAIR PARTS

TRACTOR - MODEL NUMBER LT2122A2 (96011013000), PRODUCT NO. 960 11 01-30
MOWER LIFT

KEY NO.	PART NO.	DESCRIPTION
1	532 19 84-17	Wire Asm Inner/Spring W/Plunger LT
2	532 19 80-70	Shaft Asm Lift RH w/Inf
3	532 18 88-22	Pin Groove
4	812 00 00-02	E Ring #5133-62
5	819 21 16-21	Washer 21/32 x 1 x 21 Ga.
6	532 12 01-83	Bearing Nylon Blk 629 Id
7	532 12 56-31	Grip Handle Fluted Blk
8	532 12 23-65	Button Plunger Black
11	532 17 53-70	Link Lift LH
12	532 17 53-71	Link Lift RH
13	532 12 46-70	Retainer Spring
15	532 17 55-62	Plate Asm Susp Front
16	873 35 08-00	Nut Jam Hex 1/2-13 unc
17	532 17 56-89	Trunnion
18	873 80 08-00	Nut Lock w/Wsh 1/2-13 unc
20	532 19 42-09	Pin Cotter 7/16 Bow Tie Lock
23	532 11 08-07	Nut Special
24	819 13 10-16	Washer 13/32 x 5/8 x 16 Ga.
25	532 16 40-24	Spring
26	532 16 94-84	Retainer Clip
27	532 16 45-43	Rod Adj Lift
28	873 35 06-00	Nut Hex Jam 3/8-16 unc
29	532 13 80-57	Knob Inf 3/8-16 unc Blk W/sym
30	532 15 02-33	Trunnion Infin Height
31	532 17 62-05	Trunnion
32	532 17 59-94	Nut Lift Link 7/16-20
36	532 15 50-97	Indicator Height STLT
37	532 12 39-35	Plug Hole Blk 1.485/1.515 Dia.
38	817 06 05-16	Screw 5/16-18 x 1
40	819 11 24-10	Washer 11/32 x 1-1/2 10 Ga.
41	532 15 50-98	Scale Ind. Height Blk.
49	532 14 52-12	Nut Hex Flange Lock
50	532 11 04-52	Nut, Push Phos & Oil
51	819 17 14-16	Washer 17/32 x 7/8 x 16 Ga.
52	532 17 53-78	Arm Susp. Rear Lh
53	532 17 58-02	Arm Susp. Rear Rh
54	532 17 55-60	Pin Flange

NOTE: All component dimensions given in U.S. inches
1 inch = 25.4 mm.