

# CS2141

# CS2145

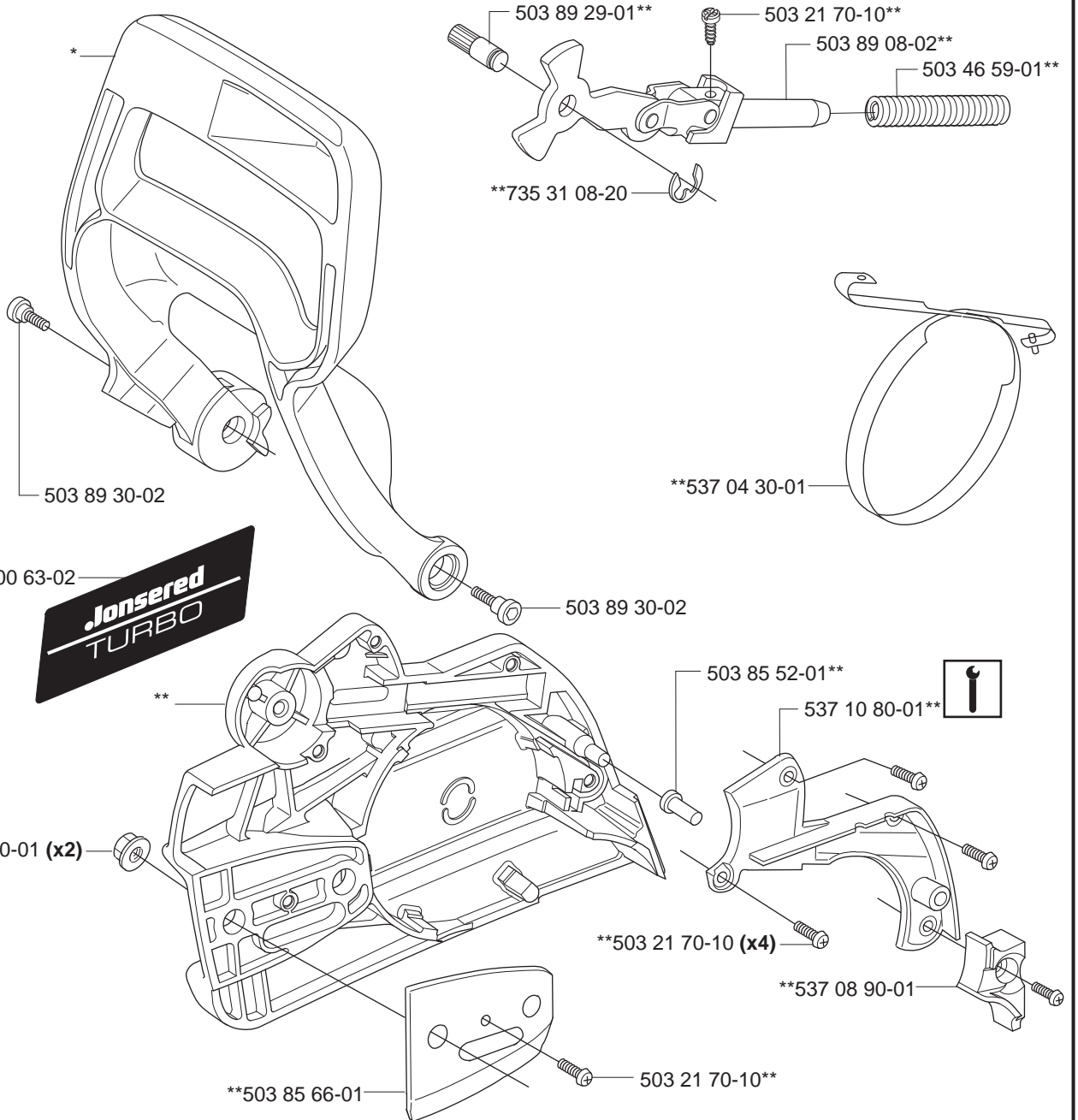
# CS2150

Spare parts  
Ersatzteile  
Pièces détachées  
Reserve onderdelen  
Repuestos  
Reservdelar

**A**

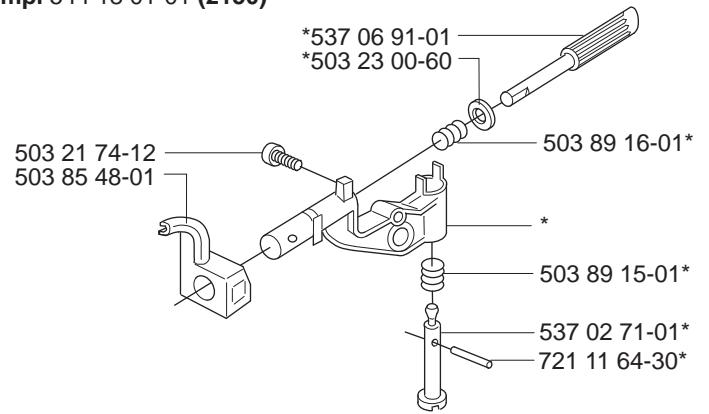
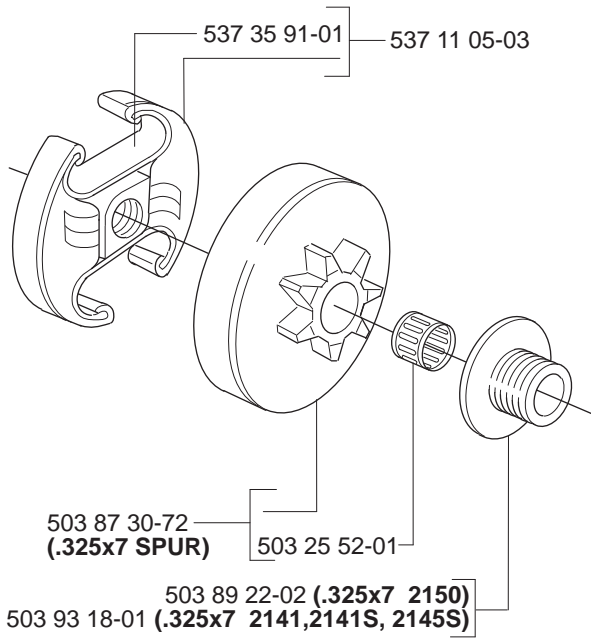
\*compl 537 01 21-02

\*\*compl 537 10 79-01

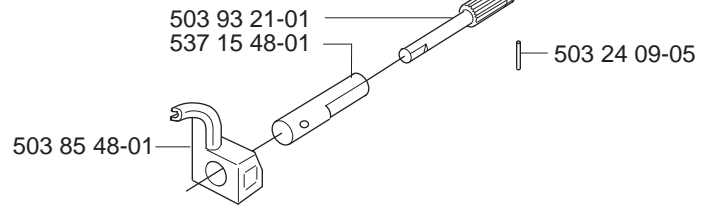


**B**

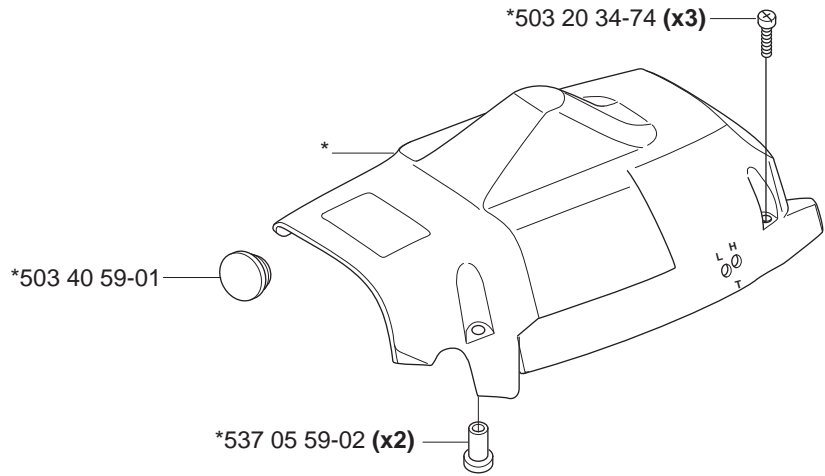
**\*compl 544 18 01-01 (2150)**



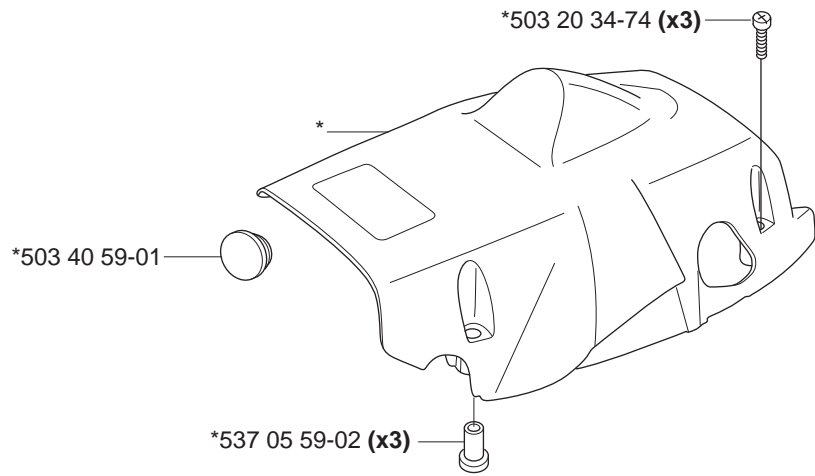
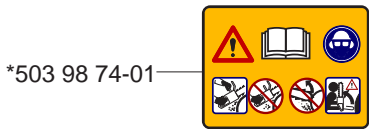
**2141, 2145S, 2141S**



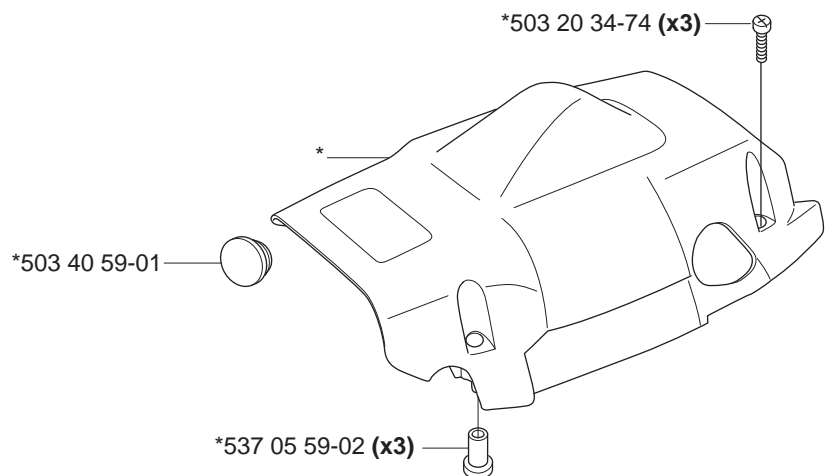
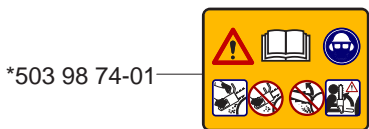
**C** \*compl 537 01 14-03 (CS 2141)



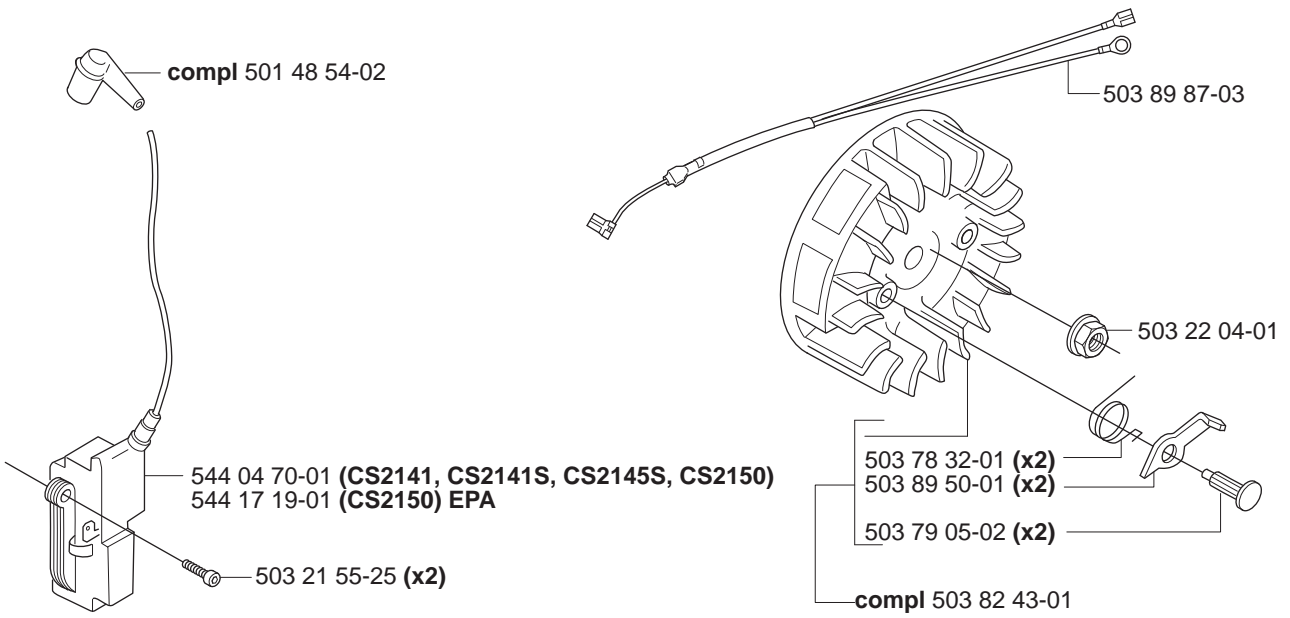
**C** \*compl 544 34 33-01 (CS 2141S, CS 2145S)



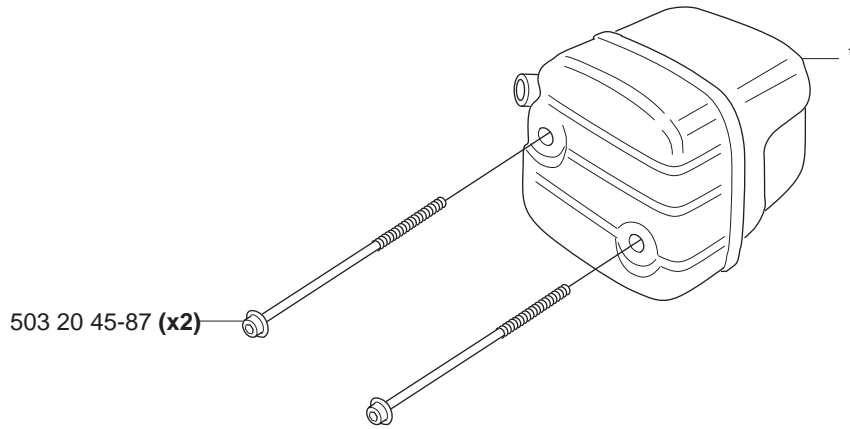
**C** \*compl 544 34 34-01 (CS 2150)



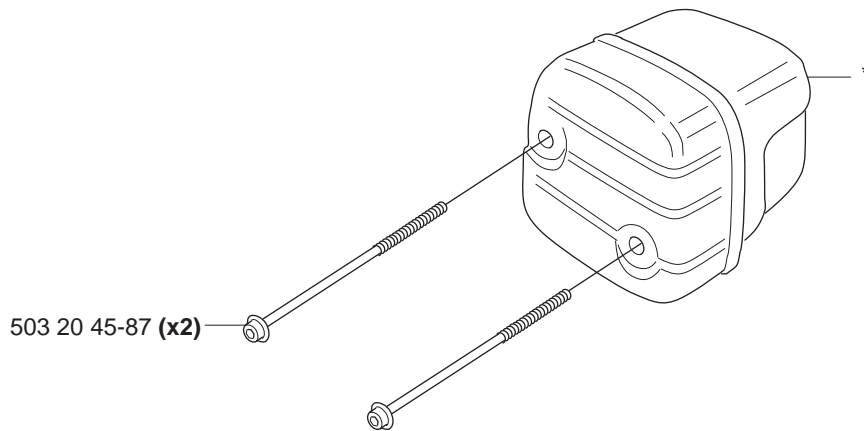
# D



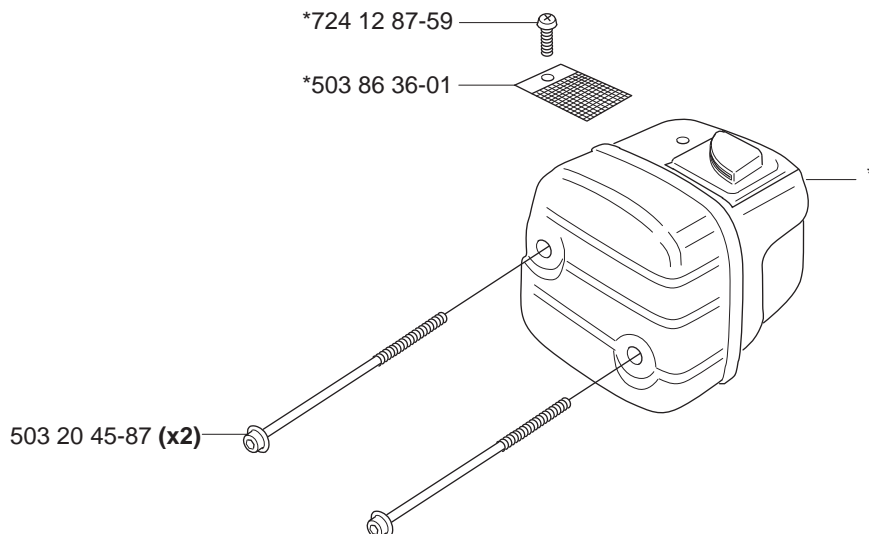
**E** \*compl 503 86 27-03 (EU) CS 2150



**E** \*compl 503 87 96-02 (FG) CS 2141, 2141S, 2145S

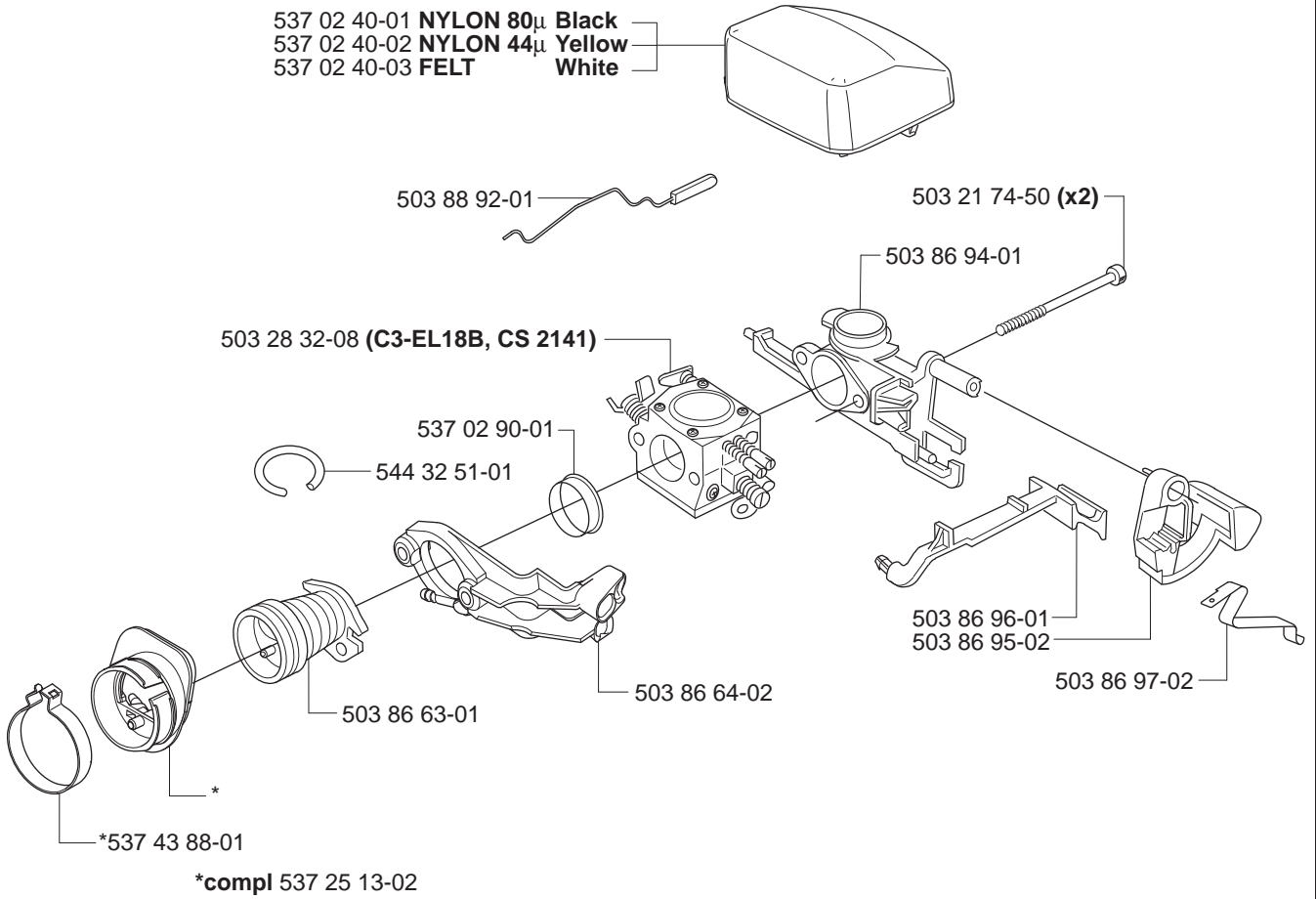


**E** \*compl 503 86 28-03 (DF)CS 2141, 2141S, 2145S, 2150



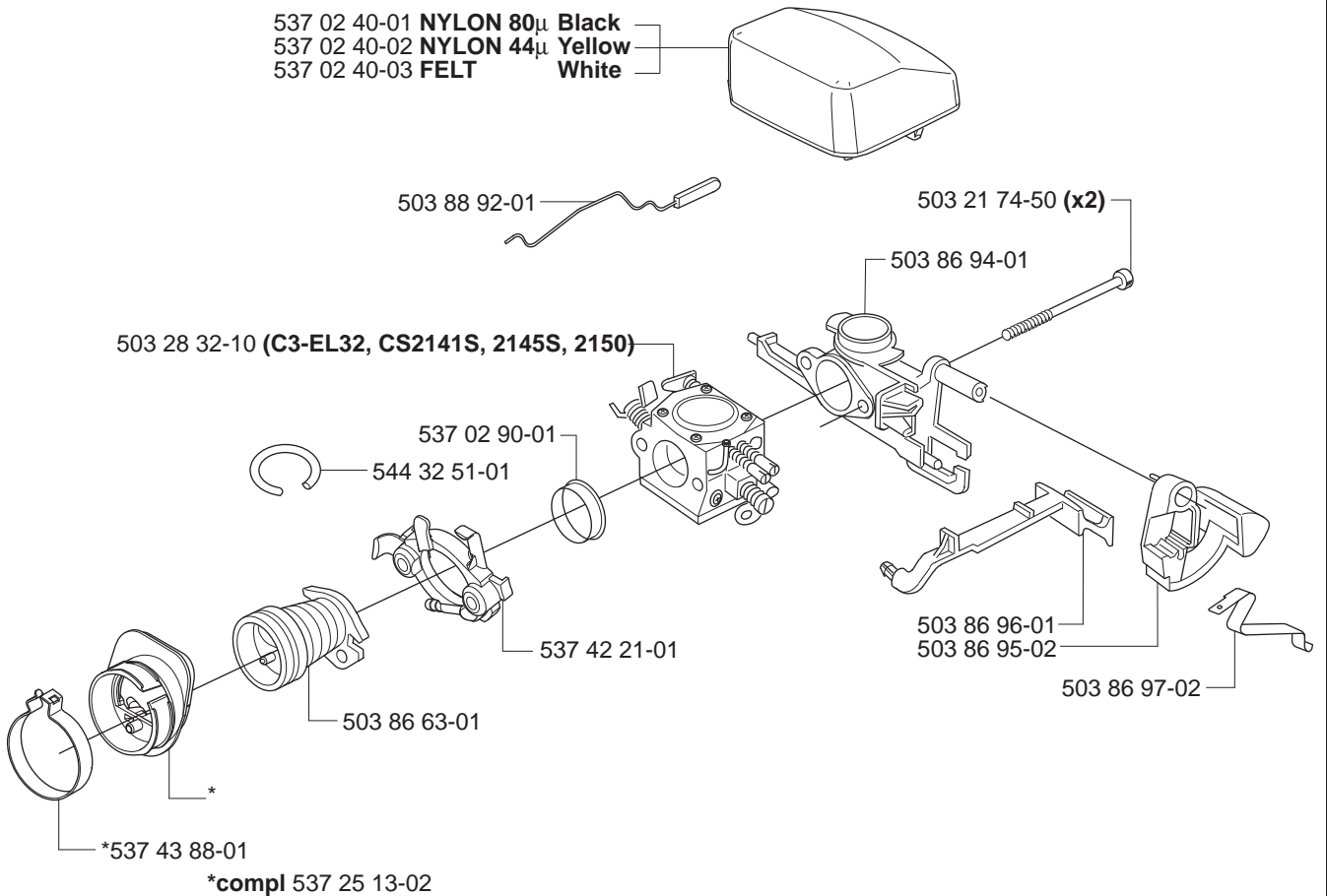
**F** CS 2141

537 02 40-01 **NYLON 80 $\mu$  Black**  
 537 02 40-02 **NYLON 44 $\mu$  Yellow**  
 537 02 40-03 **FELT White**



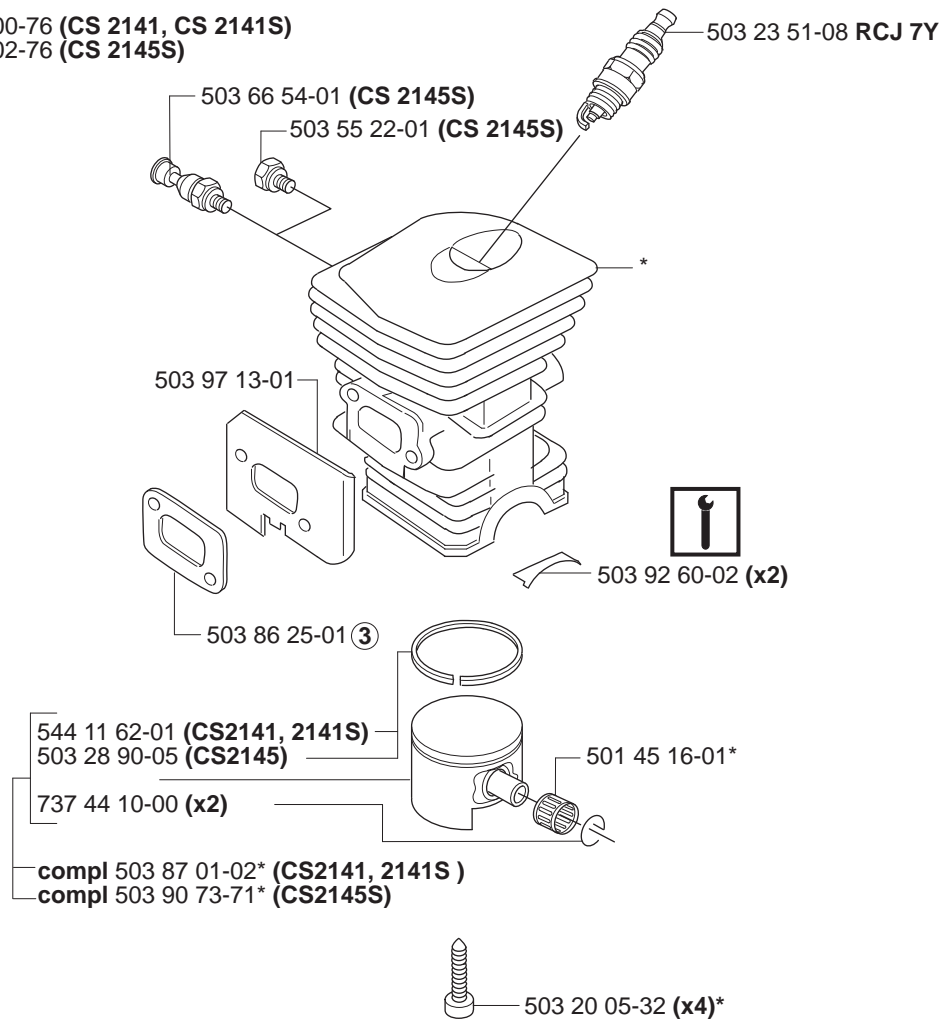
**F** CS 2141S, CS 2145S, CS 2150

537 02 40-01 **NYLON 80 $\mu$  Black**  
 537 02 40-02 **NYLON 44 $\mu$  Yellow**  
 537 02 40-03 **FELT White**

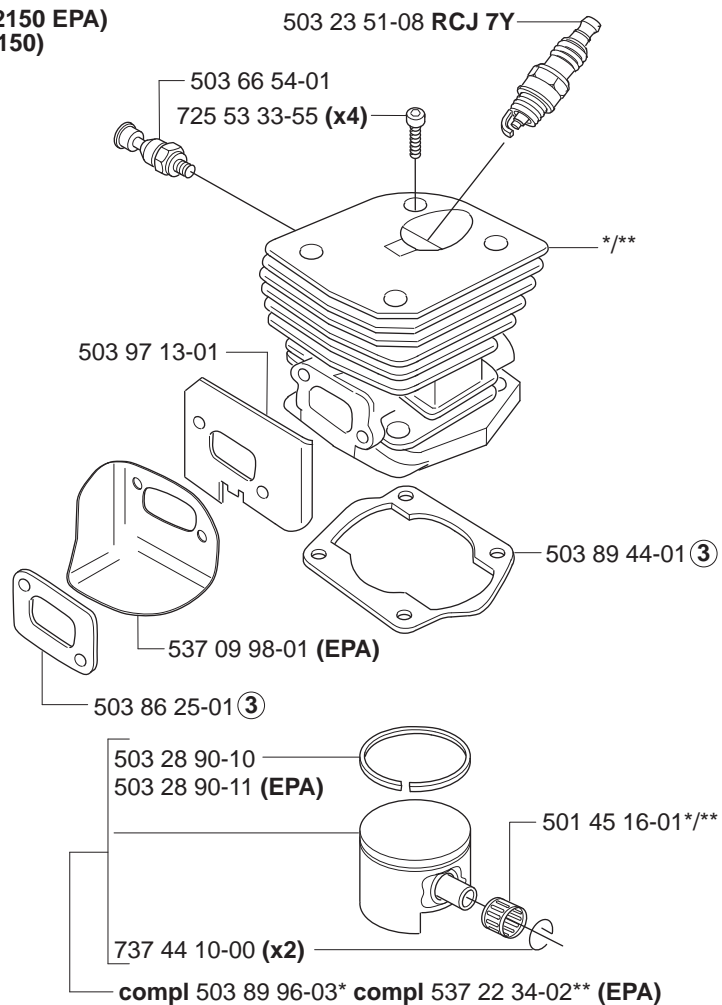


**G**

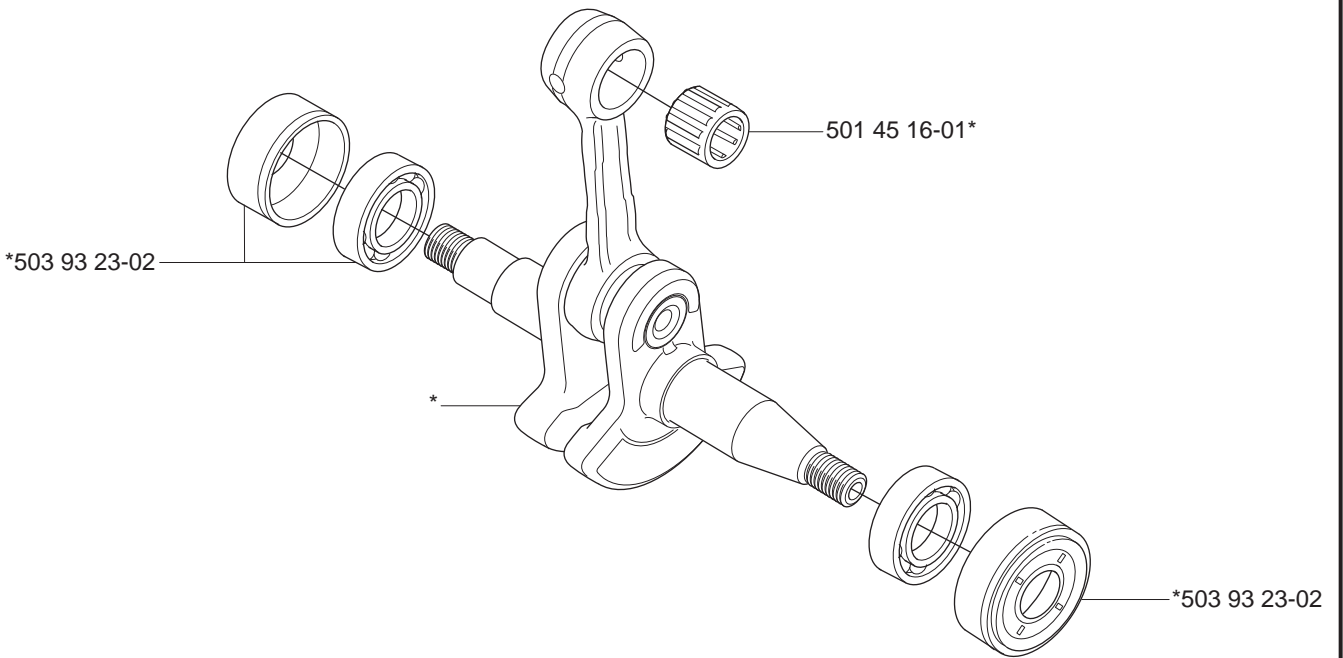
\*compl 503 87 00-76 (CS 2141, CS 2141S)  
 \*compl 503 87 02-76 (CS 2145S)

**G**

\*\*compl 537 25 30-02 (CS2150 EPA)  
 \*compl 503 86 99-71 (CS2150)

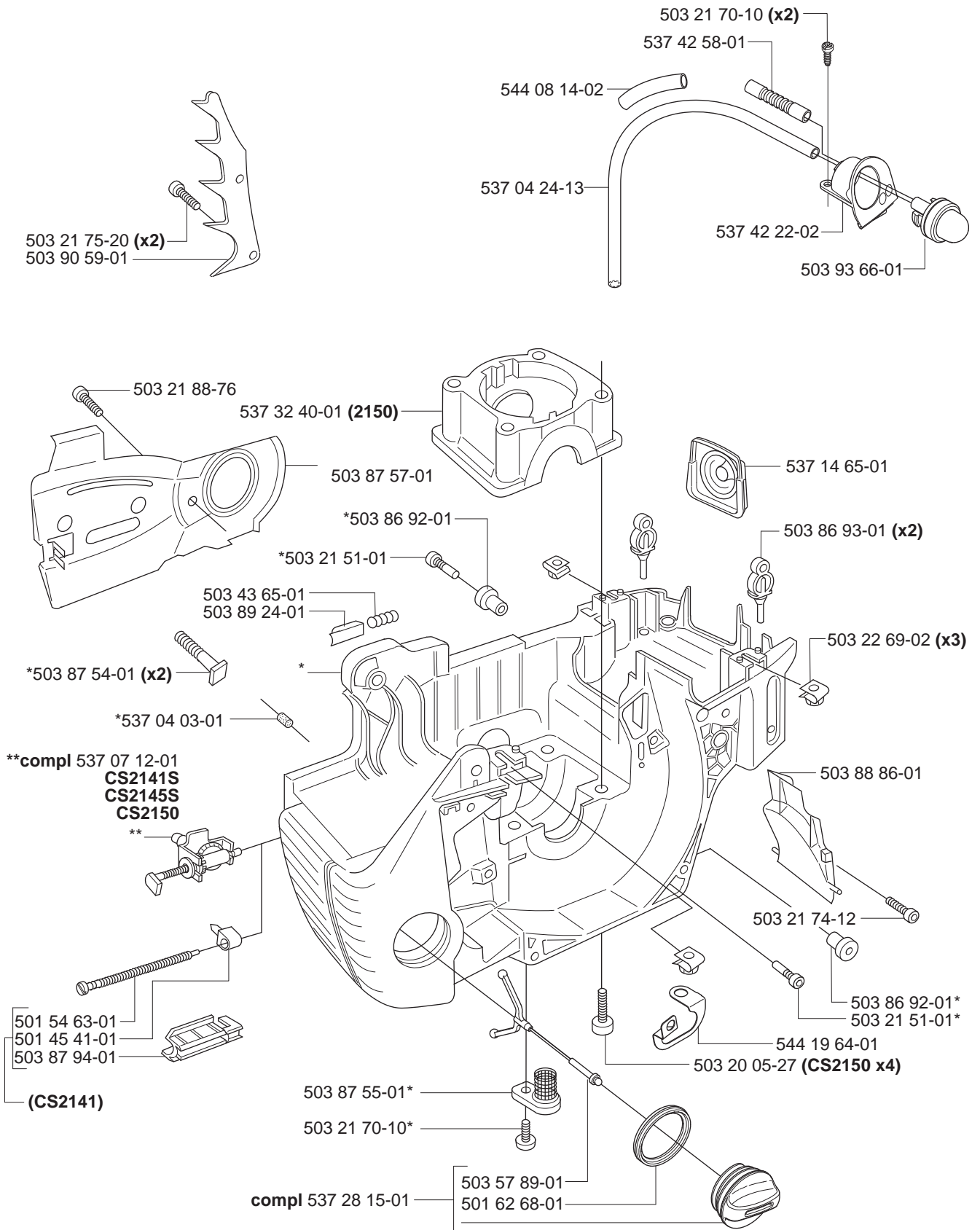


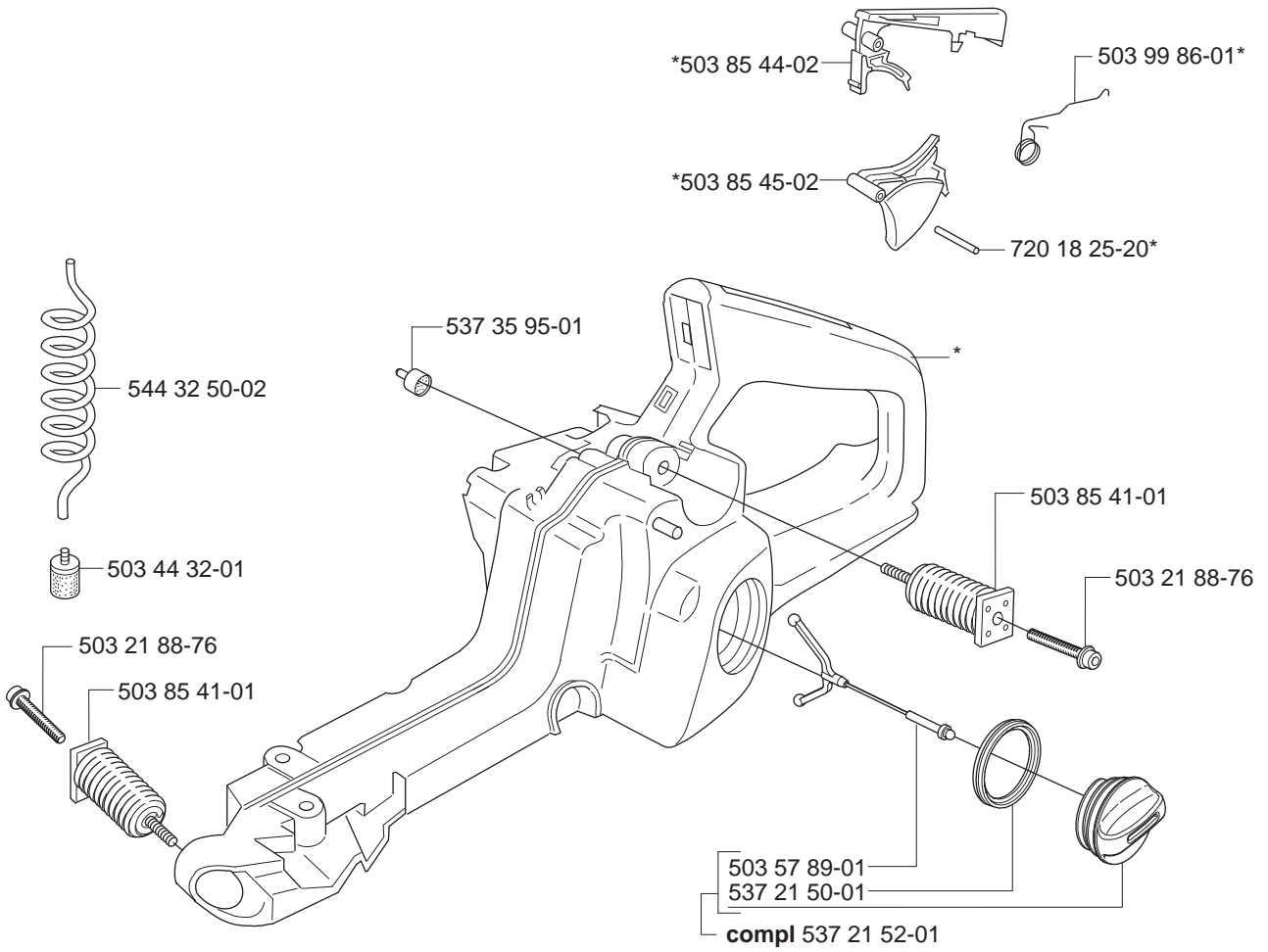




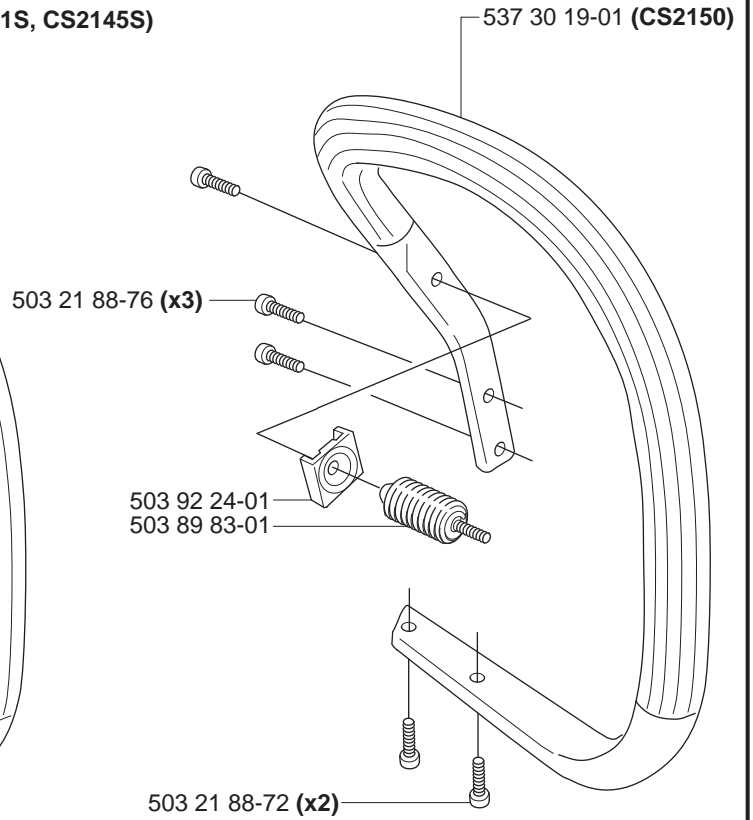
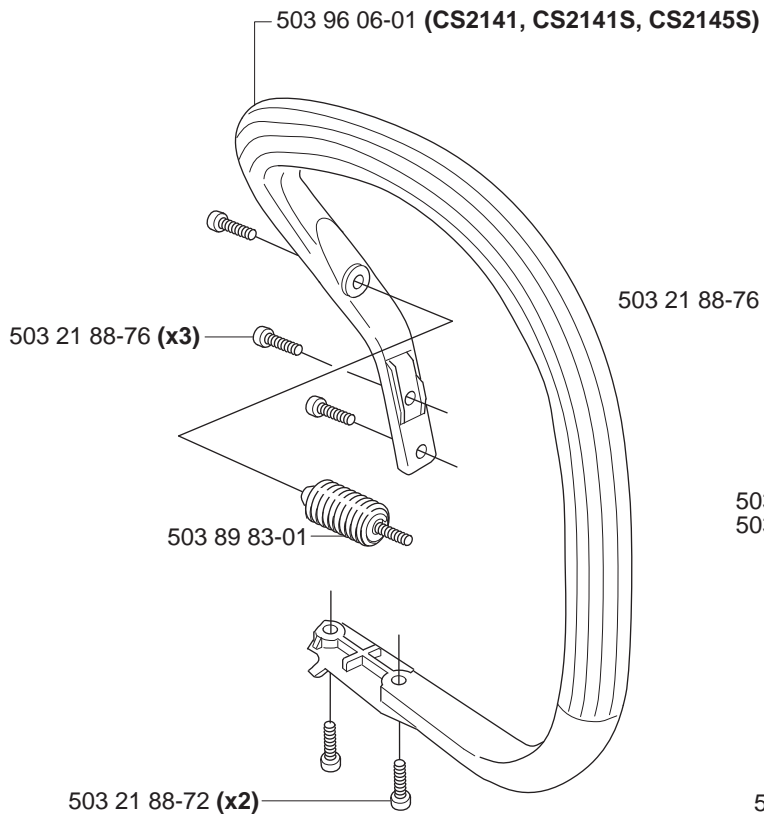
**J**

\*compl 537 17 20-04

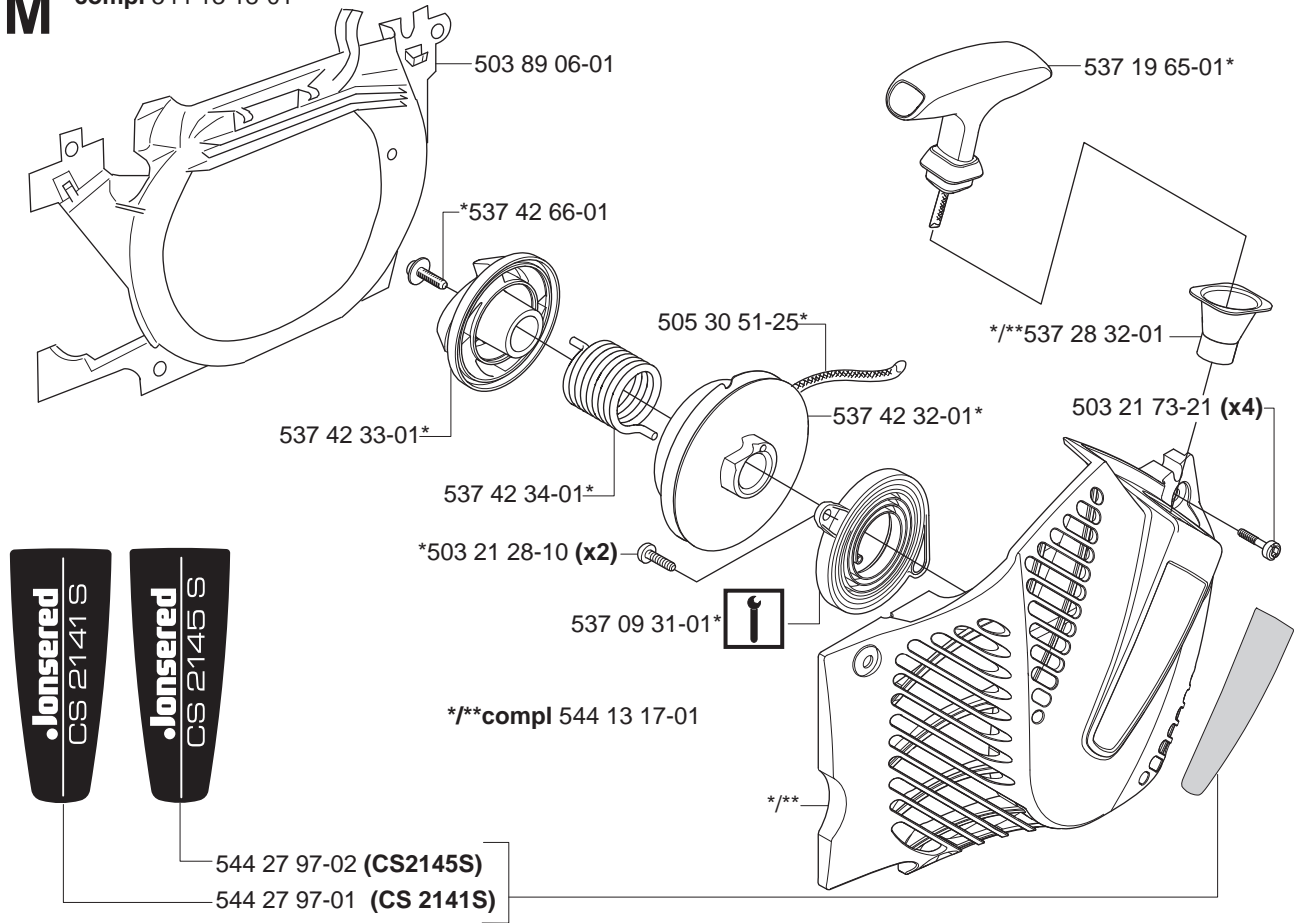




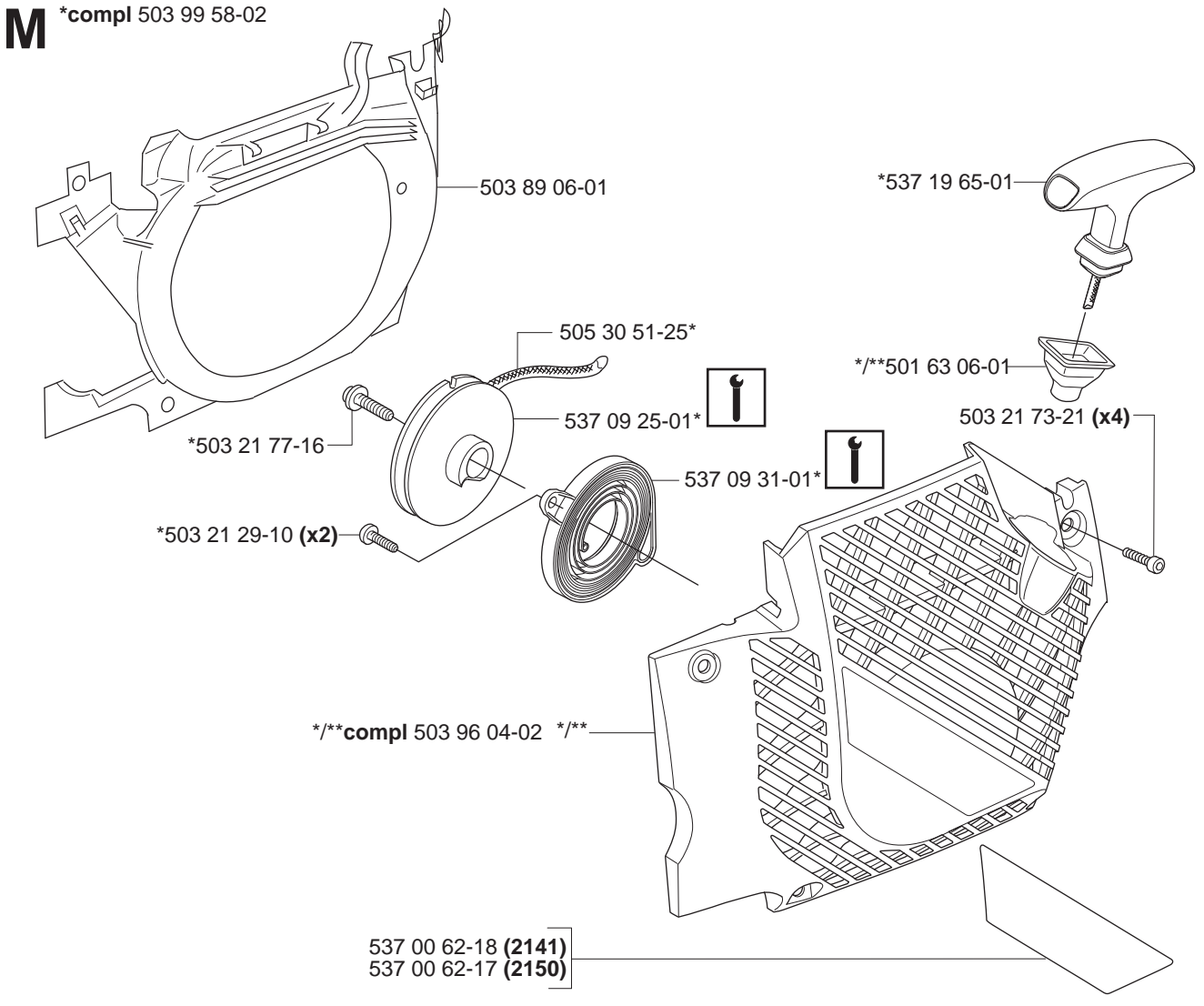
L



**M** \*compl 544 13 18-01

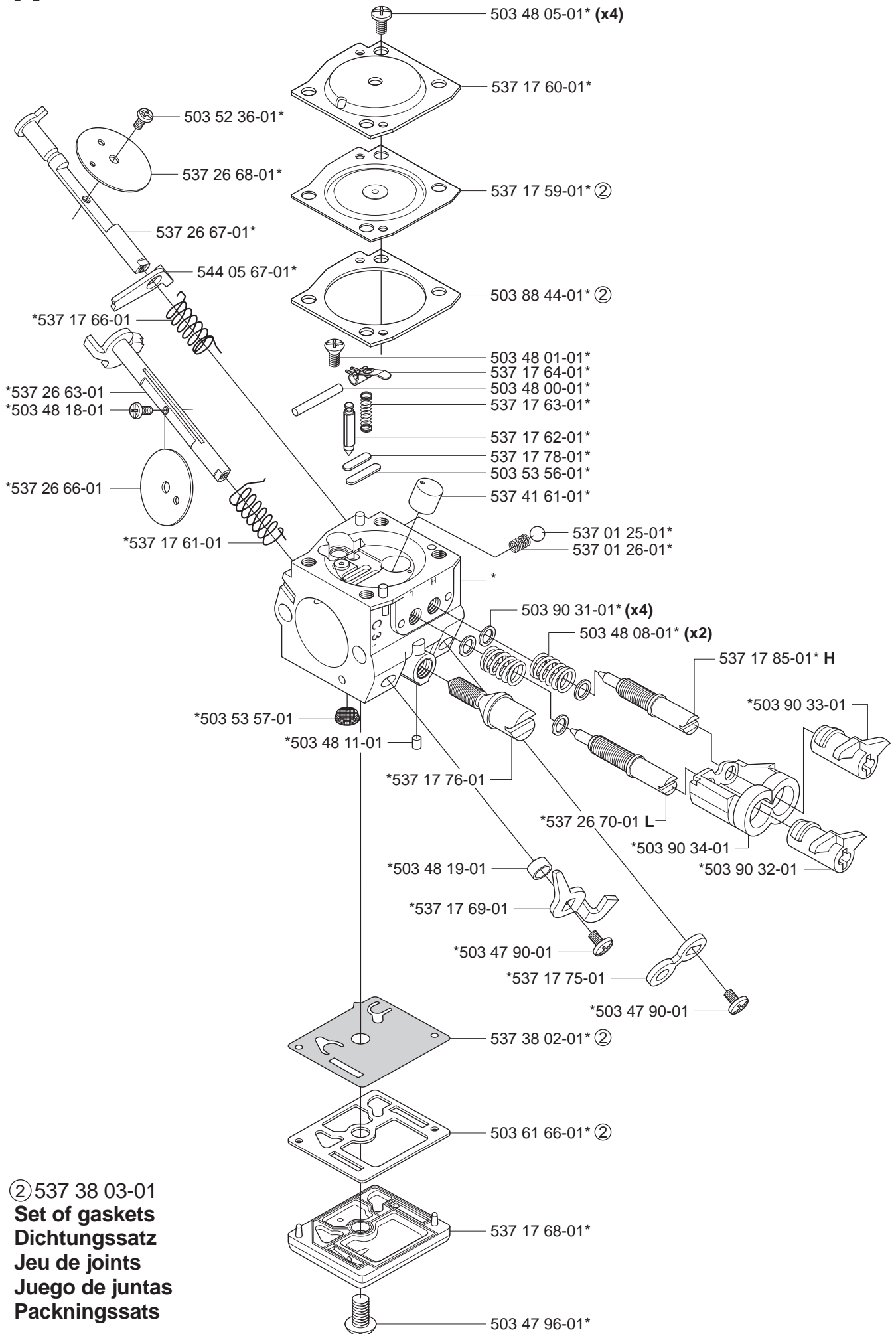


**M** \*compl 503 99 58-02

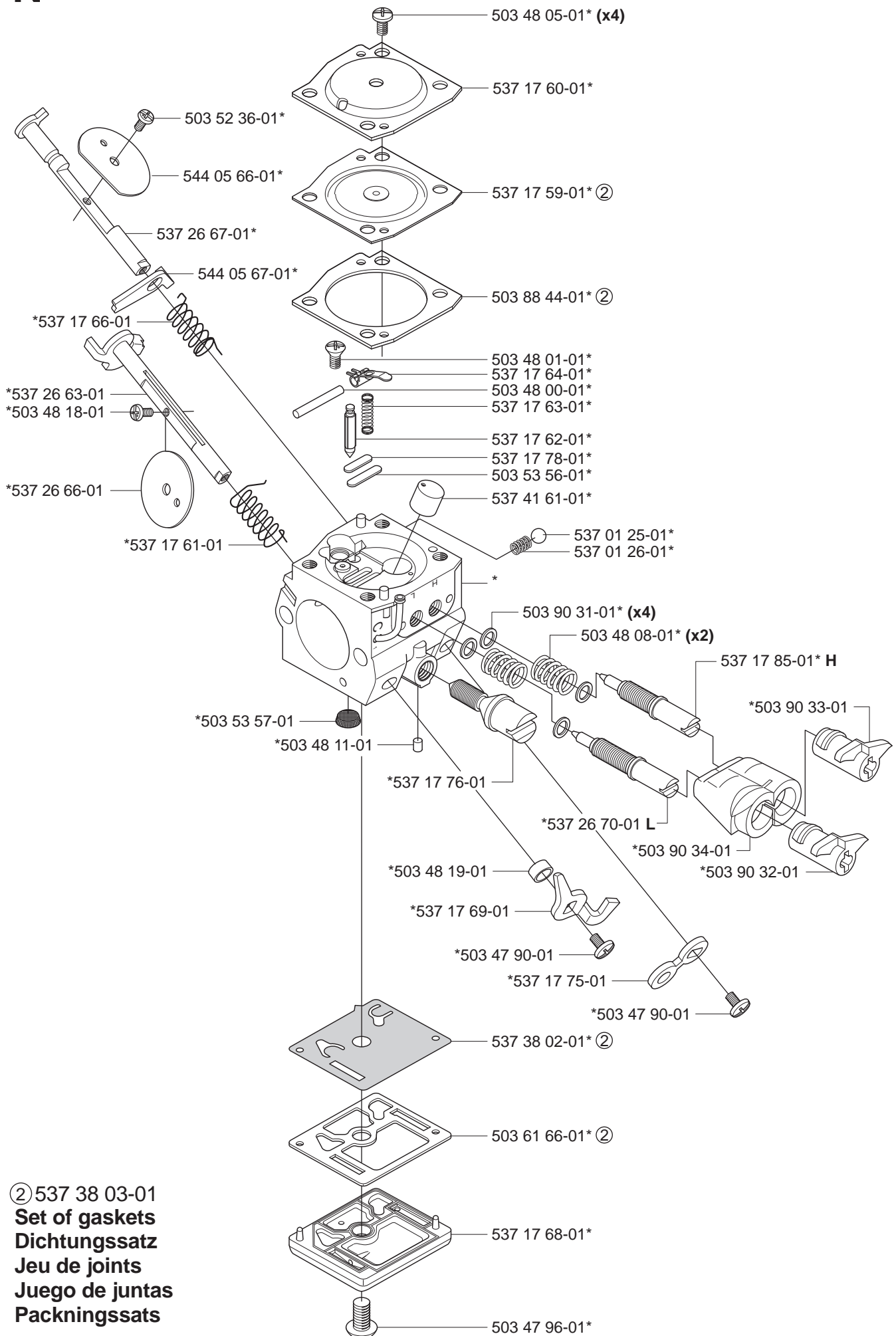


**N**

\*compl 503 28 32-08 ZAMA C3-EL18B (CS2141)

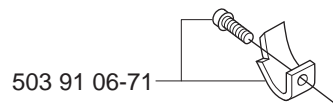
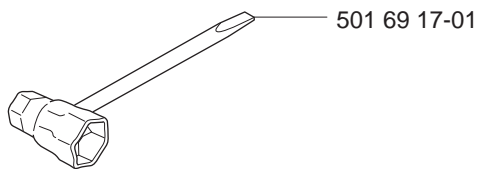
**ZAMA C3-EL18B**

② 537 38 03-01  
**Set of gaskets**  
**Dichtungssatz**  
**Jeu de joints**  
**Juego de juntas**  
**Packingsatz**

**N****\*compl 503 28 32-10 ZAMA C3-EL32 (CS2141S, CS2145S, CS2150)****ZAMA C3-EL32**

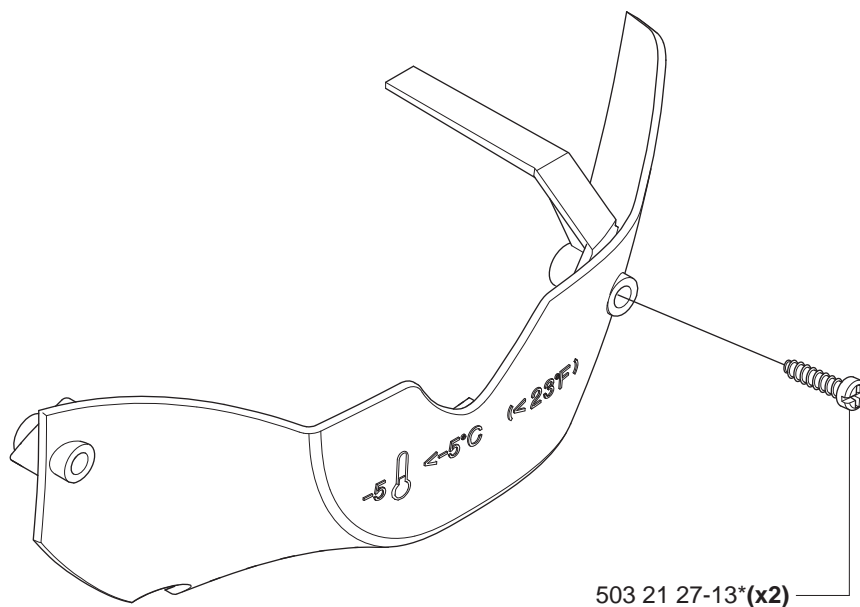
② 537 38 03-01  
**Set of gaskets**  
**Dichtungssatz**  
**Jeu de joints**  
**Juego de juntas**  
**Packningssats**

**P** Tillbehör  
Accessories  
Zubehöre  
Accessoires  
Accesorios



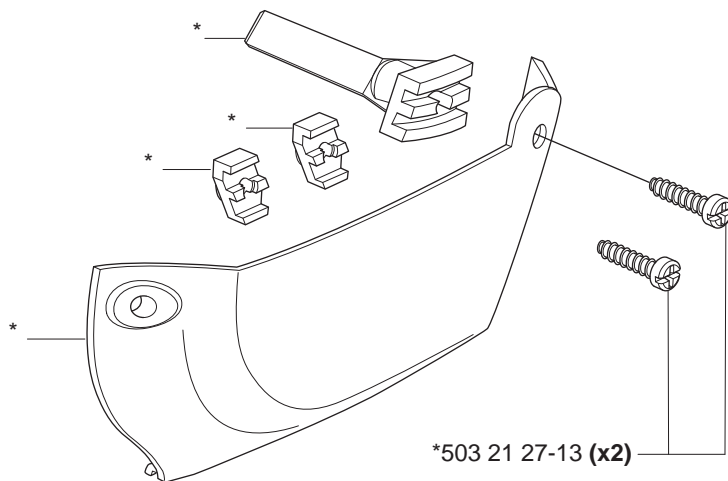
**Winter kit**

\*compl 544 34 44-01 (CS2141S, CS2145S)



**Winter kit**

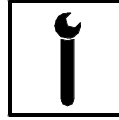
\*compl 537 16 25-01 (CS2141, CS2150)



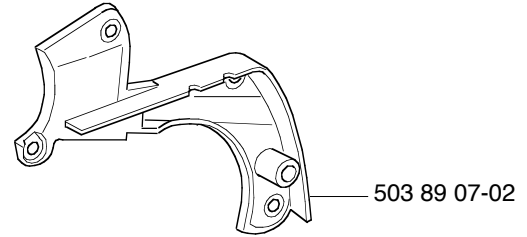
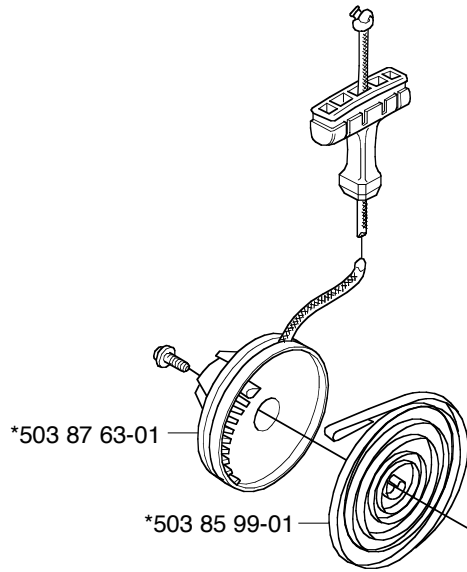




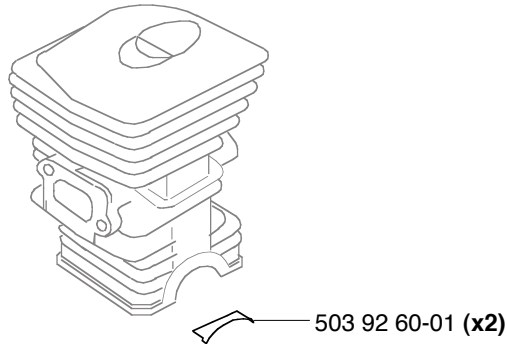
From 20012600001(2141)  
 From 20012500001(2145)  
 Up to 20012500501(2150)



Up to 003100001



Up to 000601101 (CS 2141, CS 2145)



Up to 030103001  
 Only EPA (CS 2150)

\*compl 503 89 99-71 (CS 2150)  
 Correction: 503 86 99-71

