

LT2220CMA2

Spare parts

Ersatzteile

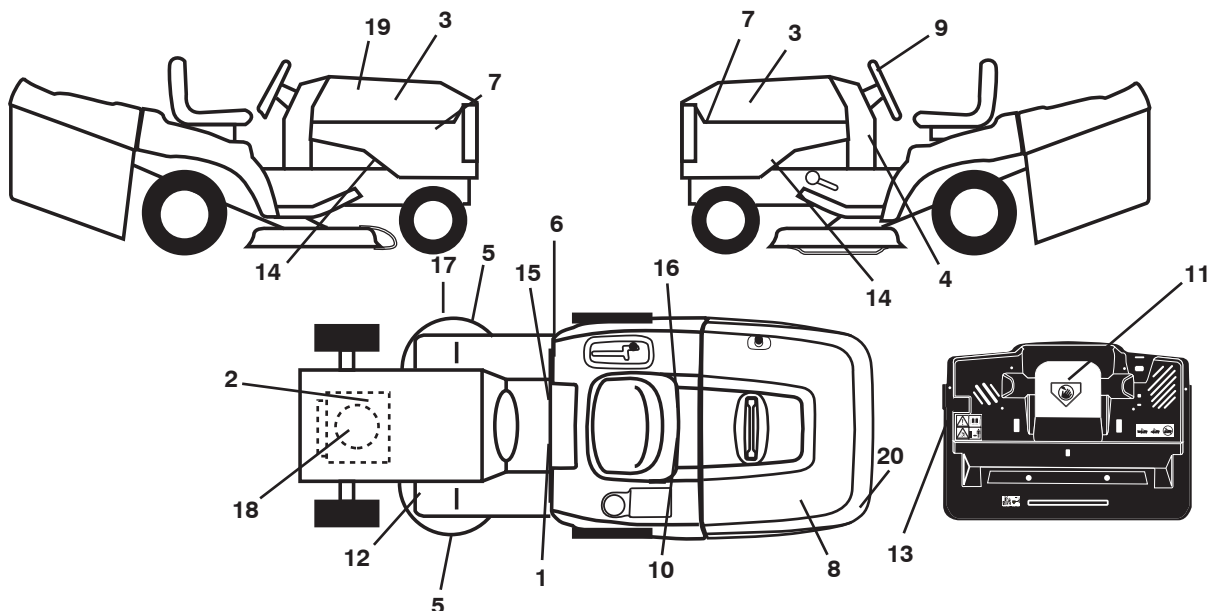
Pièces détachées

Reserve onderdelen

Repuestos

Reservdelar

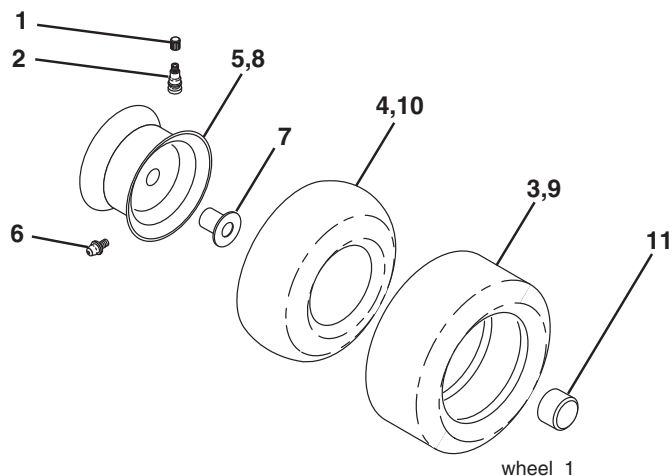
TRACTOR -- MODEL NO. LT2220 CMA2 (96061022000), PRODUCT NO. 960 61 02-20 DECALS



KEY NO.	PART NO.	DESCRIPTION
1	532 40 03-89	Decal, Warning Syms. CE
2	532 19 68-41	Decal, Warning Eng. Sym.
3	532 18 95-53	Decal, Hood/Grille
4	532 19 46-41	Decal, Dash
5	532 19 68-42	Decal, Sdl Shf/CRD Sym Cutfingr
6	532 12 44-33	Decal, 80 DBA
7	532 41 11-76	Decal, Panel Side
8	532 18 39-31	Decal, Bagger
9	532 18 57-73	Decal, Ins Strg Whl
10	532 14 50-05	Decal, Bat Dan/Poi P/L Sym Wpn
11	532 18 21-66	Decal, Mower Cut Finger Symbol

KEY NO.	PART NO.	DESCRIPTION
12	532 15 97-37	Decal, Brake/Clutch Symbol Lt
13	532 18 04-35	Decal, Rear Plate CRD
14	532 15 97-36	Decal, Chassis Hot Muffler
15	532 14 08-37	Decal, Saddle Brake Parking
16	532 16 69-60	Decal, Bypass Fender CRD
17	532 16 62-86	Decal, Hex Belt Sch CRD
18	532 41 07-89	Decal, Engine
20	532 18 39-30	Decal, Cover/Belt
--	532 16 69-60	Decal, By Pass
--	532 18 10-91	Pad Footrest LH
--	532 18 10-90	Pad Footrest RH
--	532 41 02-74	Manual Operator's (English)

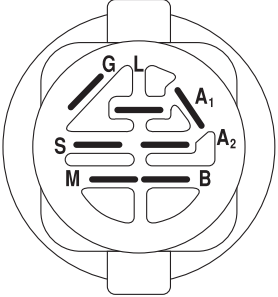
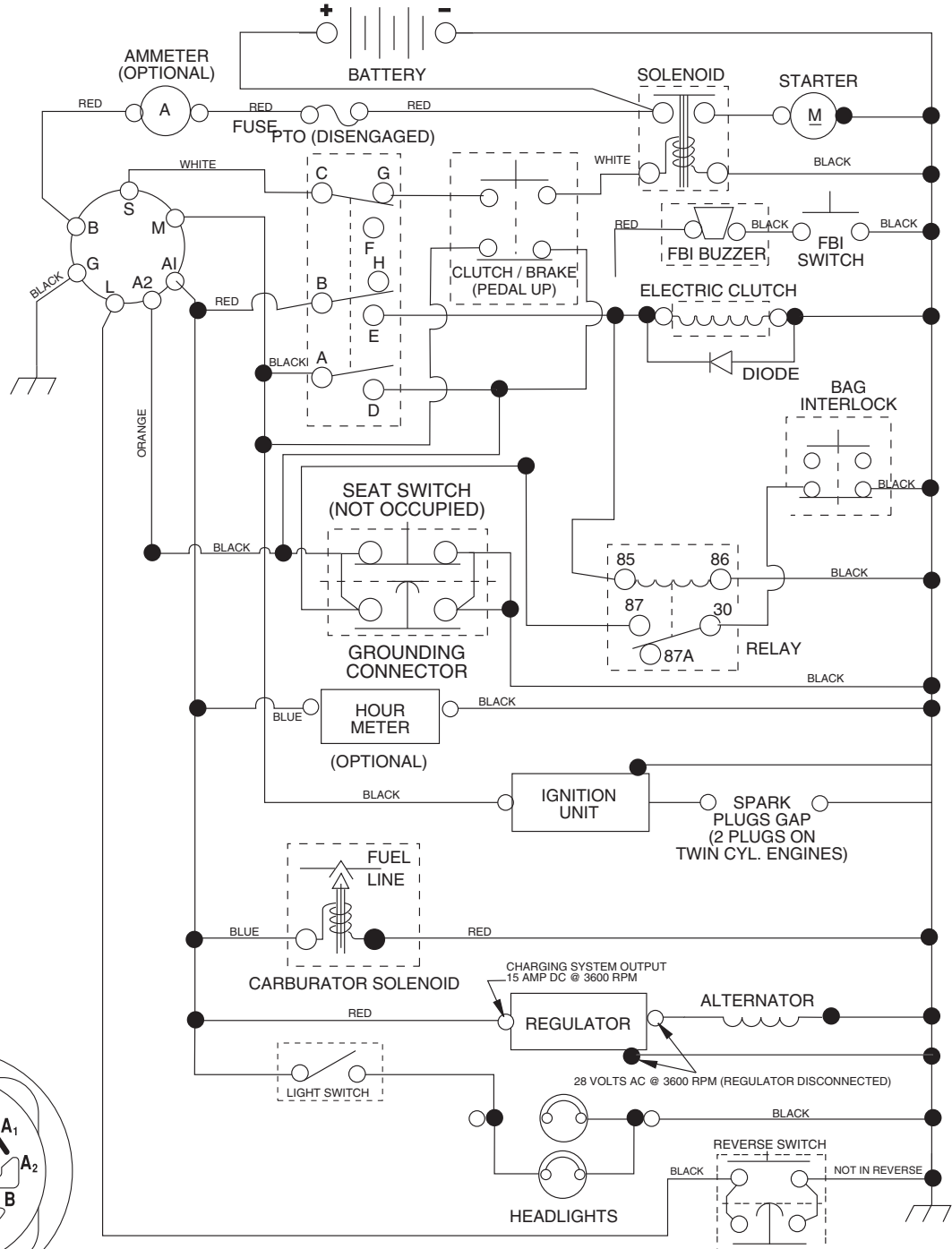
WHEELS & TIRES



KEY NO.	PART NO.	DESCRIPTION
1	532 05 91-92	Cap Valve Tire
2	532 06 51-39	Stem Valve
3	532 10 62-22	Tire F Ts 15 x 6 0 - 6 Service
4	532 05 99-04	Tube Inner Front #35060
5	532 13 83-36	Rim Asm 6"front Silver Service
6	532 12 49-57	Fitting Grease
7	532 12 49-59	Bearing Flange
8	532 13 83-37	Rim Asm 8"rear Silver Service
9	532 12 20-82	Tire R Ts 20 x 10-8 Service
10	532 12 49-26	Tube Rear 9 5 x 8 Service
11	532 17 50-39	Cap Axle Blk 1 50 x 1 00
--	532 14 43-34	Sealant, Tire (10 oz. tube)

NOTE: All component dimensions given in U.S. inches
1 inch = 25.4 mm

TRACTOR -- MODEL NO. LT2220 CMA2 (96061022000), PRODUCT NO. 960 61 02-20 SCHEMATIC



IGNITION SWITCH

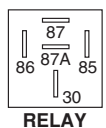
POSITION	CIRCUIT	"MAKE"
OFF	M+G+A1	
RUN/OVERRIDE	B+A1	
RUN	B+A1	L+A2
START	B+S+A1	

WIRING INSULATED CLIPS
NOTE: IF WIRING INSULATED CLIPS WERE REMOVED FOR SERVICING OF UNIT, THEY SHOULD BE REPLACED TO PROPERLY SECURE YOUR WIRING.

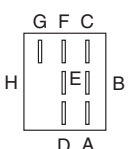
03130

PTO SWITCH

POSITION	CIRCUIT
OFF	C + G, B + H
ON	C + F, B + E, A + D



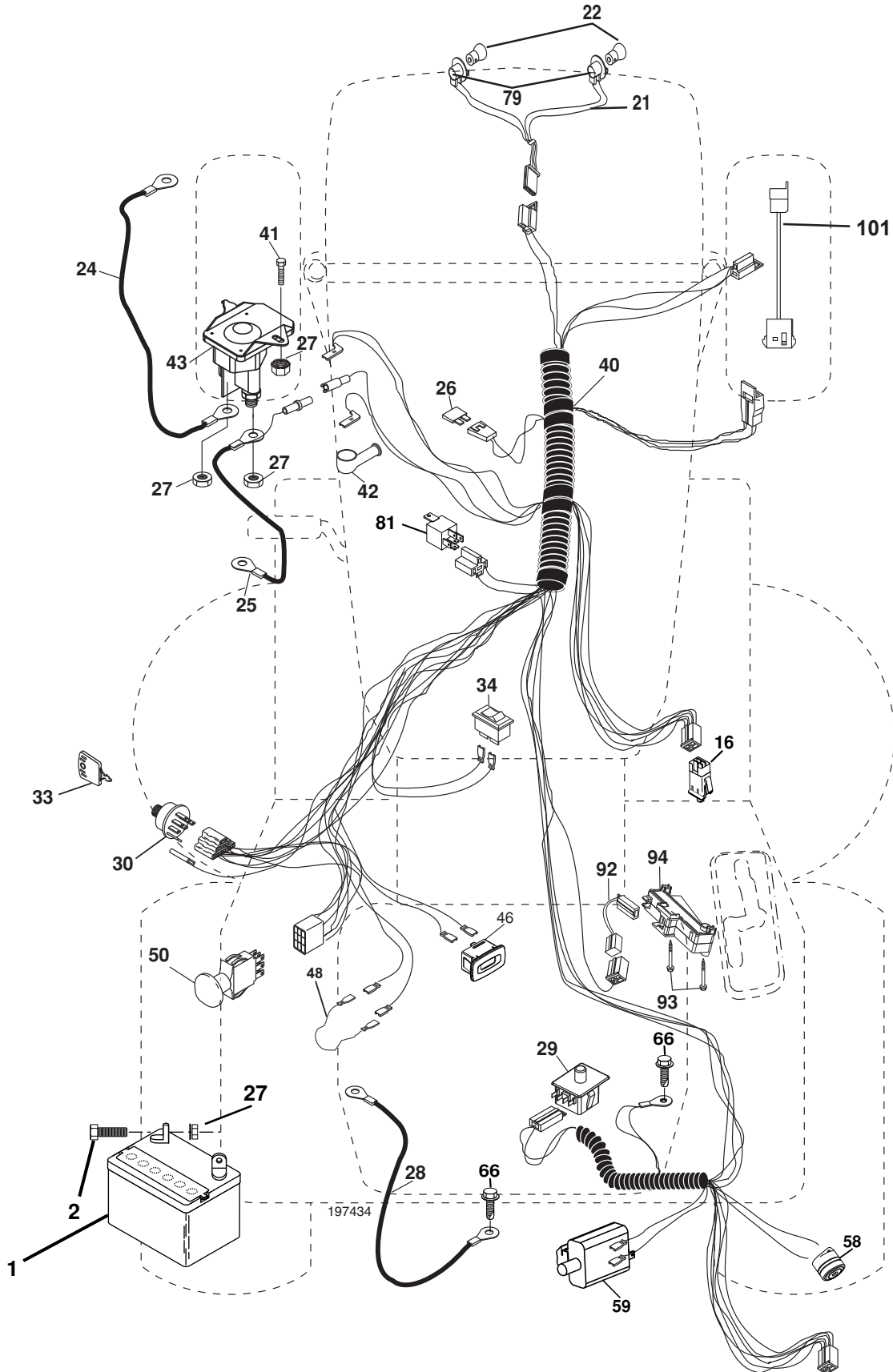
RELAY



NON-REMOVABLE CONNECTIONS

REMOVABLE CONNECTIONS

TRACTOR -- MODEL NO. LT2220 CMA2 (96061022000), PRODUCT NO. 960 61 02-20
ELECTRICAL

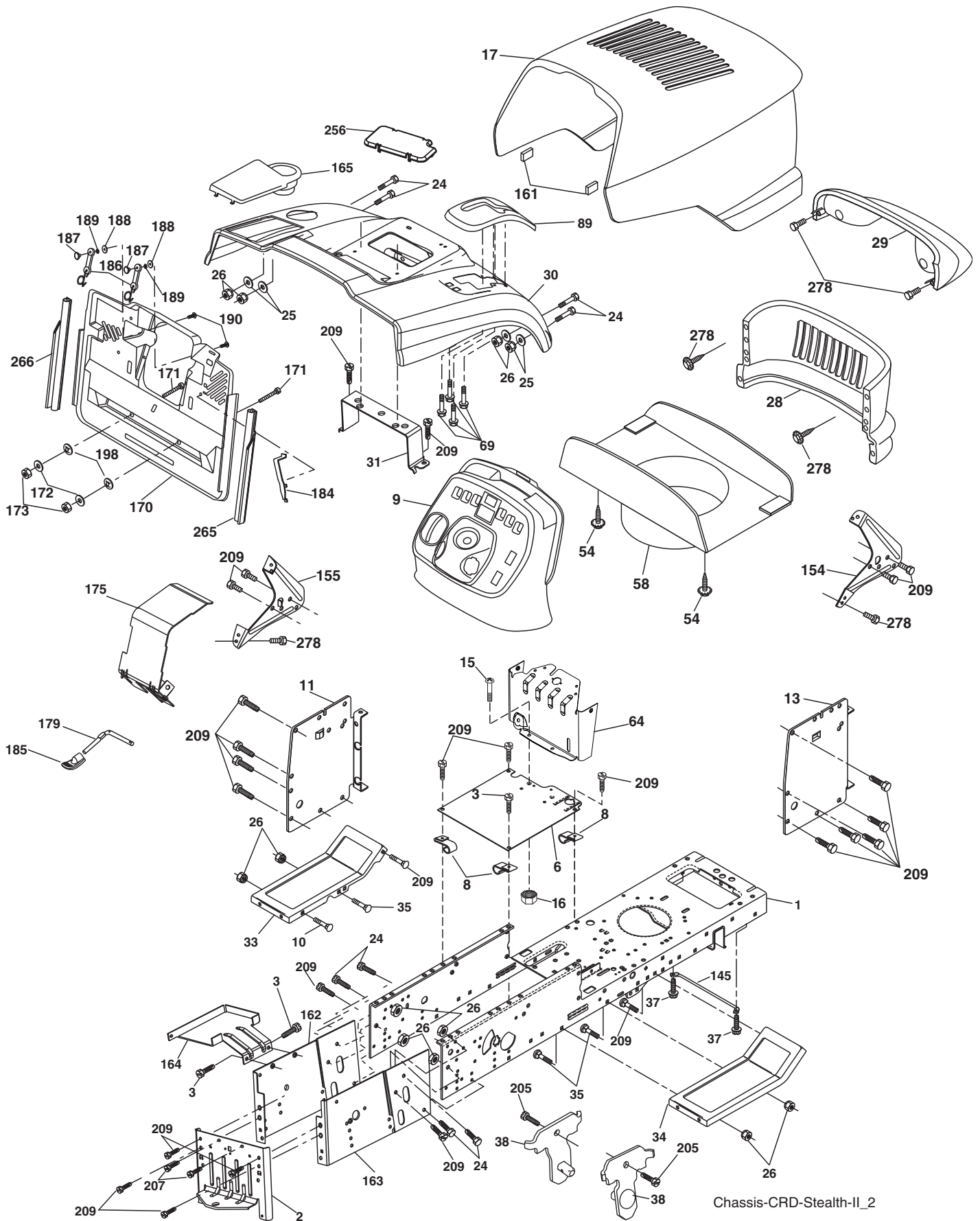


**TRACTOR - - MODEL NO. LT2220 CMA2 (96061022000), PRODUCT NO. 960 61 02-20
ELECTRICAL**

KEY NO.	PART NO.	DESCRIPTION
1	532 14 49-27	Battery
2	874 76 04-12	Bolt Hex Hd 1/4-20 unc x 3/4
16	532 17 61-38	Switch Interlock Push-In
21	532 17 56-88	Harness Asm Light W/4152J
22	532 00 41-52	Bulb Light #1156
24	532 12 47-80	Cable Starter 6GA
25	532 16 59-87	Cable Battery
26	532 17 51-58	Fuse 20 Amp
27	873 51 04-00	Nut Keps Hex 1/4-20 unc
28	532 12 77-25	Cable Ground 6 Ga. 18" Black
29	532 19 27-49	Switch Seat
30	532 19 33-50	Switch Ignition
33	532 14 04-01	Key Ign
34	532 11 07-12	Switch 10 x 3/4 Single Lead-Hex
40	532 19 74-34	Harness Ign Crd Elect
41	871 11 04-08	Bolt Hex Fin 1/4-20 unc x 1/2
42	532 13 15-63	Cover Terminal Red
43	532 19 25-07	Solenoid
46	532 40 17-63	Meter Hour
48	532 14 08-44	Ammeter Adapter
50	532 17 46-51	Switch PTO
58	532 16 94-19	Buzzer Crd
59	532 18 03-79	Switch FBI CRD
66	817 49 06-08	Screw Thdrol 3/8-16 x 1/2 Ty-Tt
79	532 17 52-42	Socket Asm. Bulb Twistlock
81	532 10 97-48	Relay Asm
92	532 19 66-15	Harness Pigtail Console
93	532 19 25-40	Screw Plastite 10-14 x 2.0
94	532 19 18-34	Module Reverse ROS
101	532 19 83-17	Pigtail MATNLK

NOTE: All component dimensions given in U.S. inches.
1 inch = 25.4 mm.

TRACTOR -- MODEL NO. LT2220 CMA2 (96061022000), PRODUCT NO. 960 61 02-20
CHASSIS AND ENCLOSURES



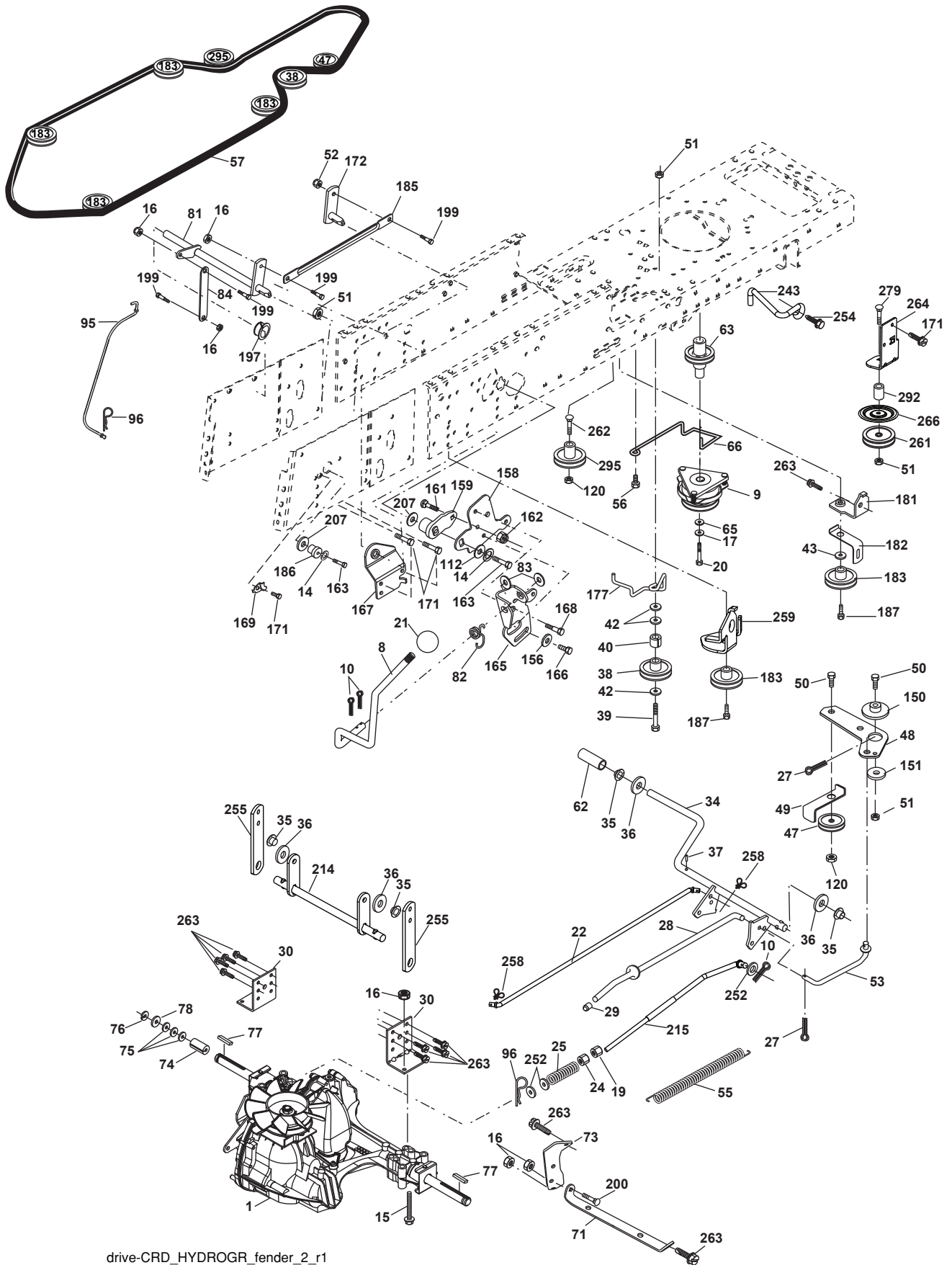
Chassis-CRD-Stealth-II_2

**TRACTOR -- MODEL NO. LT2220 CMA2 (96061022000), PRODUCT NO. 960 61 02-20
CHASSIS AND ENCLOSURES**

KEY NO.	PART NO.	DESCRIPTION	KEY NO.	PART NO.	DESCRIPTION
1	532 17 46-20	Chassis	155	532 18 39-26	Bracket, LH Dash
2	532 18 03-84	Drawbar	161	532 16 46-55	Bumper Extrusion
3	817 06 06-12	Screw 3/8-16 x 3/4	162	532 18 03-82	Bracket Exten Chassis LH CRD
6	532 18 44-19	Saddle	163	532 18 03-83	Bracket Exten Chassis RH CRD
8	532 12 64-71	Clip Insulator 13/32 Mtg. Hole	164	532 16 56-05	Support Battery CRD
9	532 19 49-75	Dash	165	532 18 13-56	Cover Battery
10	872 14 06-08	Bolt, Carriage 3/8-16 x 1	170	532 19 94-88	Backplate CRD
11	532 16 72-03	Panel, Dash, LH	171	872 14 06-20	Bolt Rdhd Sqnk 3/8-16 x 2-1/2 Gr. 5
13	532 17 82-98	Panel, Asm. Dash RH	172	819 13 20-16	Washer 13/32 x 1-1/4 x 16 Ga.
15	874 18 05-12	Screw Mach. trhd. 5/16-18uncx3/4	173	873 51 06-00	Nut, Keps Hex 3/8-16 unc
16	873 51 05-00	Nut Keps 5/16-18 unc	175	532 18 82-03	Guard Trap
17	532 18 13-51	Hood	179	532 18 82-02	Rod Pivot FBI CRD
24	874 78 06-16	Bolt	184	532 17 46-62	Bracket Actuator Bagger CRD
25	819 13 13-12	Washer 13/32 x 13/16 x 12 Ga.	185	532 18 11-01	Knob Rod Brake Parking
26	873 80 06-00	Nut	186	532 16 07-93	Latch Asm Mulch/Bagger
28	532 18 13-52	Grille	187	532 12 50-04	Nut Weld
29	532 16 18-40	Lens, Grille	188	819 06 12-16	Washer #10
30	532 19 73-44	Fender	189	810 07 10-00	Washer Lock #10
31	532 16 51-56	Bracket, Fender Support	190	871 08 10-10	Screw Pan Hd Phillip 10-24 x 5/8
33	532 18 11-93	Footrest, L.H.	198	532 16 89-37	Nut, Push
34	532 18 11-94	Footrest, R.H.	205	817 49 06-08	Screw Thdrol 3/8-16 x 1/2
35	872 11 06-06	Bolt	207	817 67 05-08	Screw Thdrol 5/16-18 x 1/2
37	817 49 05-08	Screw Thdrol 5/16-18 x 1/2 TYT	209	817 00 06-12	Screw Hex Wsh Thdrol 3/8-16
38	532 18 17-48	Bracket Asm Pivot Mower Rear	256	532 18 13-61	Cover Fender Rack CRD
54	532 19 25-12	Screw Hex WsHd 10-32 x 5/8	265	532 18 57-04	Seal RH Side Bagger
58	532 17 53-51	Duct Air Engine	266	532 18 57-03	Seal LH Side Bagger
64	532 19 93-95	Bracket, Lower dash	278	532 19 16-11	Screw 10 x 3/4 Single Lead-Hex
69	532 14 24-32	Screw Hex Wsh			
89	532 19 73-66	Console			
145	532 40 91-67	Rod Pivot Hood			
154	532 18 39-25	Bracket, RH Dash			

NOTE: All component dimensions given in U.S. inches.
1 inch = 25.4 mm.

TRACTOR - - MODEL NO. LT2220 CMA2 (96061022000), PRODUCT NO. 960 61 02-20
DRIVE



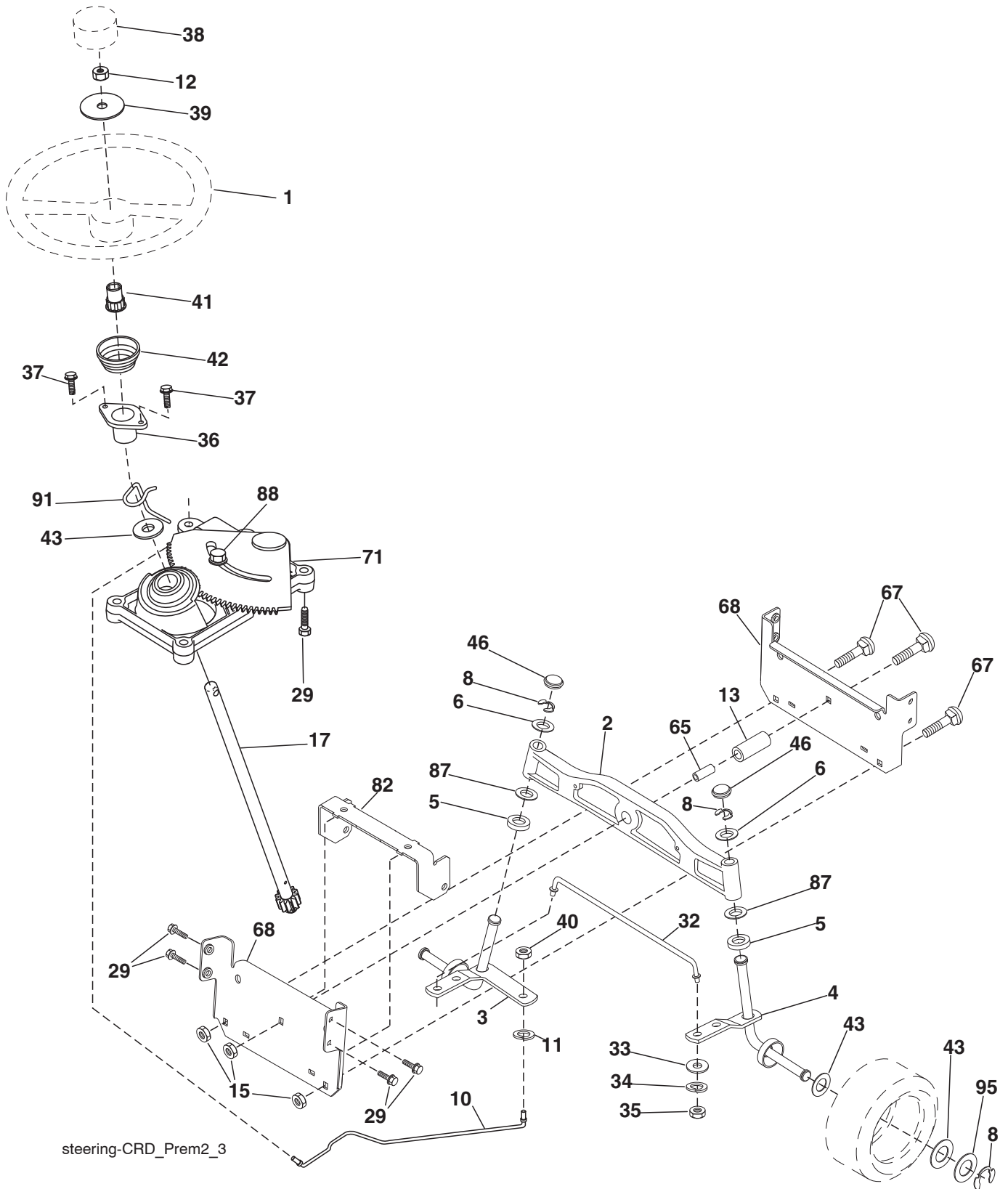
drive-CRD_HYDROGR_fender_2_r1

**TRACTOR - - MODEL NO. LT2220 CMA2 (96061022000), PRODUCT NO. 960 61 02-20
DRIVE**

KEY NO.	PART NO.	DESCRIPTION	KEY NO.	PART NO.	DESCRIPTION
1	-----	Transaxle Hydro Gear 321-0510 (Order parts from transaxle manufacturer)	83	819 17 12-16	Washer 17/32 x 3/4 x 16 Ga.
8	532 19 27-06	Rod, Shift Fender Adjust Lt	84	532 17 00-07	Link, Transaxle
9	532 19 81-43	Clutch Ele	95	532 17 00-15	Bypass Rod Hydro
10	876 02 04-16	Pin, Cotter 1/8 x 1	96	532 12 47-88	Spring, Retainer 1"
14	810 04 04-00	Washer, Lock Hvy Helical	112	819 09 12-10	Washer 9/32 x 3/4 x 10 Ga.
15	874 49 05-44	Bolt Hex FGHD 5/16-18 x Gr. 5	120	873 90 06-00	Nut Lock Flg. 3/8-16 unc
16	873 80 05-00	Nut, Lock Hex w/lns 5/16-18 unc	150	532 16 58-50	Bushing, Bellcrank Grnd Dr
17	810 04 07-00	Washer Lock Hvy Hlcl 7/16	151	819 13 32-10	Washer 13/32 x 2 x 10 Ga.
19	873 80 06-00	Nut Lock Hex w/Insert 3/8-16 unc	156	532 16 60-02	Washer Srrted 5/16 ID x 1.125
20	532 17 39-37	Bolt, Hex 7/16-20 x 4	158	532 16 55-89	Bracket Shift Mount
21	532 13 05-64	Knob Deluxe	159	532 18 39-00	Hub Tapered Flange Shift Lt
22	532 17 56-07	Rod, Brake	161	872 14 04-06	Bolt Rdhd Sqnk 1/4-20 x 3/4 Gr 5
24	873 35 06-00	Nut	162	873 68 04-00	Nut Crownlock 1/4-20 unc
25	532 19 20-36	Spring, Rod, Brake	163	874 78 04-16	Bolt Hex Fin 1/4-20 unc x 1 Gr 5
27	876 02 04-12	Pin, Cotter 1/8 x 3/4	165	532 16 56-23	Bracket Pivot Lever
28	532 17 57-65	Rod, Parking Brake	166	817 49 05-10	Screw 5/16-18 x 5/8
29	532 07 16-73	Cap, Parking Brake	167	532 16 55-88	Bracket Support Shift CRD
30	532 16 95-92	Bracket, Mfg. Transaxle	168	532 16 54-92	Bolt Shoulder 5/16-18 x .561
34	532 17 55-78	Shaft, Asm Pedal Foot CRD	169	532 16 55-80	Plate Fastening Lt
35	532 12 01-83	Bearing, Nylon	171	817 49 06-08	Screw Thdrol 3/8-16 x 1/2 Ty-Tt
36	819 21 16-16	Washer 21/32 x 1 x 16 Ga.	172	532 17 02-71	Shaft Asm Shifter Frt CRD
37	532 12 49-63	Pin, Roll 3/16 x 1"	177	532 16 59-32	Keeper Flat Idler 3.06" CRD
38	532 16 59-36	Pulley Flat Composite 3.06"	181	532 18 02-11	Bracket Idler Ground Drive CRD
39	874 76 06-44	Bolt Fin Hex 3/8-16 unc x 2-3/4	182	532 18 26-82	Keeper Belt 2.5" Od V-Idler CRD
40	532 12 49-65	Spacer, Split 395 x 59 Bzp	183	532 19 95-32	Pulley V-Idler CRD
42	819 13 13-12	Washer 13/32 x 13/16 x 12 Ga.	185	532 17 00-08	Link Shift
43	819 11 10-12	Washer 11/32 x 5/8 x 12 Ga.	186	532 16 56-14	Hub Tapered Round CRD
47	532 12 77-83	Pulley, Idler, V Groove Plasic	187	817 58 05-20	Screw Thdrol 5/16-18 x 1.25
48	532 15 44-07	Bellcrank Clutch Grnd Drv	197	532 16 96-13	Nyliner Snap-In 5/8
49	532 12 32-05	Retainer, Belt Style Spring	199	532 16 96-12	Bolt Shoulder 5/16-18 unc
50	872 11 06-12	Bolt Carr. Sh. 3/8-16 x 1-1/2 Gr. 5	200	872 14 05-08	Bolt RDHD SQNK 5/16-18 x 1
51	873 68 06-00	Nut, Crownlock 3/8-16 unc	207	532 16 98-45	Washer Nylon Rear
52	873 68 05-00	Nut Crownlock 5/16-18	214	532 17 56-09	Shaft Asm. Brake
53	532 19 96-52	Link, Clutch 7.66	215	532 17 56-52	Rod Brake Hydro
55	532 10 57-09	Spring, Return, Clutch	243	532 19 07-36	Bracket Anti Rotation
56	817 06 06-20	Screw 3/8-16 x 1-1/4	252	819 13 16-16	Washer 13/32 x 1 x 16 Ga.
57	532 17 01-40	V-Belt Kev 112" 0650 CRD	254	817 00 06-16	Screw 3/8-16 x 1
62	532 12 48-72	Cover, Pedal	255	532 17 56-08	Brace Shaft Brake Mtg.
63	532 18 03-97	Pulley, Engine	258	532 17 80-62	Clip Retainer
65	532 12 61-97	Washer	259	532 18 02-12	Bracket Pulley
66	532 15 47-78	Keeper, Belt Engine F-Proof	261	532 13 14-94	Pulley Idler Flat
71	532 16 91-83	Strap, Torque, Lh	262	872 11 06-22	Bolt Rdhd 3/8-16 unc x 2-3/4 Gr. 5
73	532 16 91-82	Strap, Torque, Rh	263	817 00 06-12	Screw Hx Wsh Thdrol 3/8-16 x 3/4
74	532 13 70-57	Spacer, Split	264	532 19 76-07	Bracket Idler Chassis
75	532 12 17-49	Washer 25/32 x 1-1/4 x 16 Ga.	266	532 18 20-61	Shield Idler
76	812 00 00-01	Ring, E	279	872 11 06-16	Bolt Rdhd Sqnk 3/8-16 unc x 2
77	532 12 35-83	Key, Square	292	532 40 02-71	Spacer Noram
78	532 12 17-48	Washer 25/32 x 1-5/8 x 16 Ga.	295	532 17 91-14	Pulley Idler Composite
81	532 17 00-06	Asm, Shaft			
82	532 16 57-11	Spring, Torsion			

NOTE: All component dimensions given in U.S. inches
1 inch = 25.4 mm

**TRACTOR - - MODEL NO. LT2220 CMA2 (96061022000), PRODUCT NO. 960 61 02-20
STEERING ASSEMBLY**

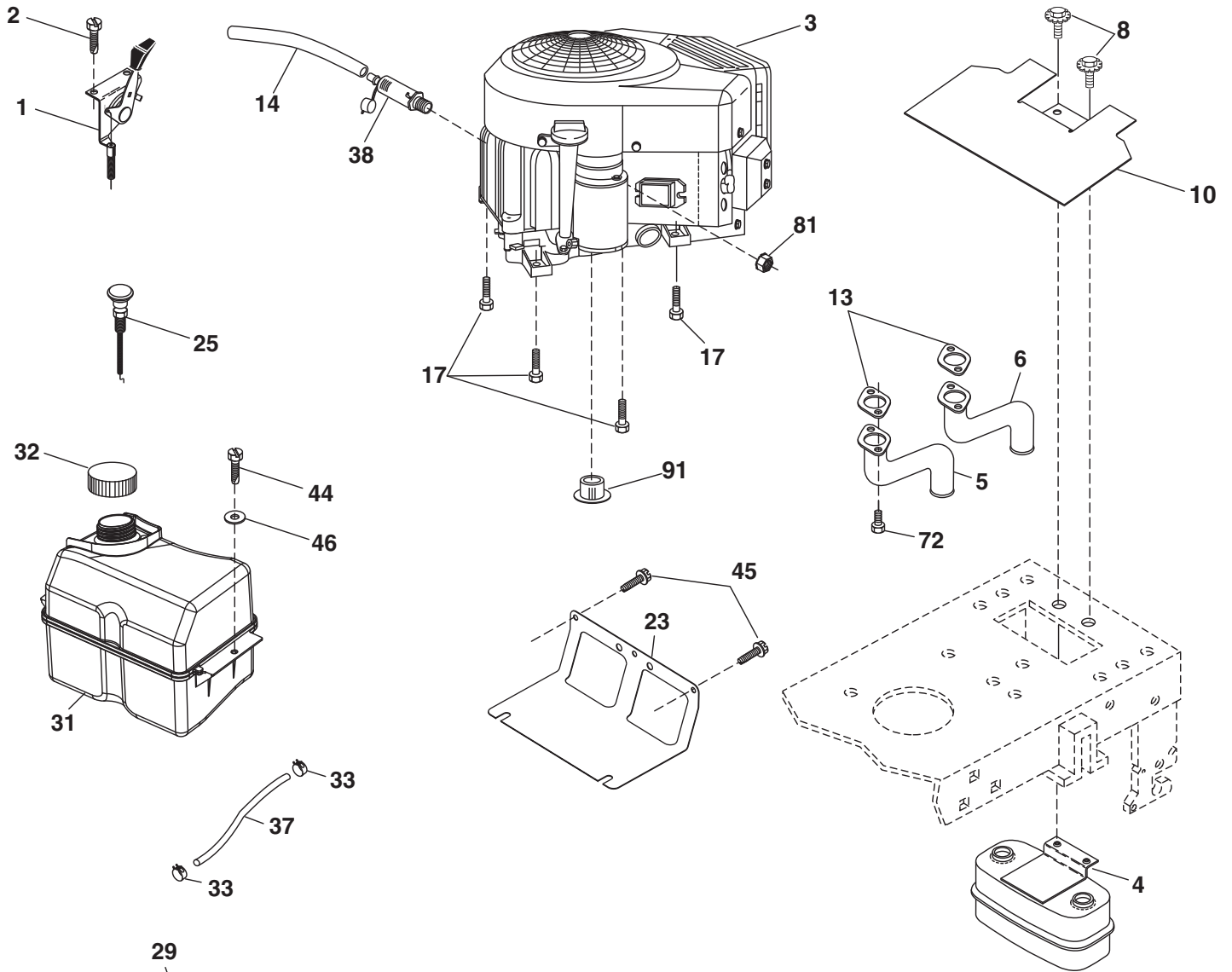


**TRACTOR - - MODEL NO. LT2220 CMA2 (96061022000), PRODUCT NO. 960 61 02-20
STEERING ASSEMBLY**

KEY NO.	PART NO.	DESCRIPTION
1	532 19 46-37	Steering Wheel
2	532 18 47-06	Front Axle Assembly
3	532 16 98-40	Spindle Assembly, L.H.
4	532 16 98-39	Spindle Assembly, R.H.
5	532 12 49-31	Bearing, Race, Thrust, Hardened
6	532 12 17-48	Washer 25/32 x 1-5/8 x 16 Ga.
8	812 00 00-29	Ring, Klip
10	532 17 51-21	Link, Drag
11	810 04 06-00	Washer, Lock
12	873 94 08-00	Nut Hex Jam Toplock 1/2-20 unf
13	532 13 65-18	Spacer Axle
15	532 14 52-12	Nut Hex Flange Lock
17	532 17 78-83	Shaft Assembly, Steering
29	817 00 06-12	Screw 3/8-16 x 3/4
32	532 17 18-88	Rod, Tie
33	819 11 12-16	Washer 11/32 x 3/4 x 16 Ga.
34	810 04 05-00	Washer Lock Hvy Hlcl Spr 5/16
35	873 54 05-00	Crownlock Nut 5/16-24 unf
36	532 15 51-05	Bushing, Steering
37	532 15 29-27	Screw TT #10-32 x 5 x 3/8 Flange
38	532 19 46-03	Cap Wheel Steering
39	819 18 38-12	Washer 9/16 ID x 2-3/8 OD 12 Ga.
40	873 54 06-00	Nut Crownlock 3/8-24
41	532 18 67-37	Adaptor, Steering Wheel
42	532 17 71-49	Boot, Steering Dash
43	532 12 17-49	Washer 25/32 x 1-1/4 x 16 Ga.
46	532 12 12-32	Cap, Spindle
65	532 16 03-67	Spacer Axle
67	872 11 06-18	Bolt Rdhd Sq 3/8-16 x 2-1/4
68	532 16 98-27	Brace Axle
71	532 17 51-46	Steering Asm.
82	532 19 99-78	Bracket Susp. Chassis Front
87	532 17 39-66	Washer Flat .781 x 1-1/2 x .14
88	532 17 51-18	Bolt Shoulder 7/16-20 unc
91	532 17 55-53	Clip Steering
95	532 18 89-67	Washer

NOTE: All component dimensions given in U.S. inches.
1 inch = 25.4 mm.

**TRACTOR - - MODEL NO. LT2220 CMA2 (96061022000), PRODUCT NO. 960 61 02-20
ENGINE**



OPTIONAL EQUIPMENT
Spark Arrester

engine-bs intek-twin_44

TRACTOR - - MODEL NO. LT2220 CMA2 (96061022000), PRODUCT NO. 960 61 02-20 ENGINE

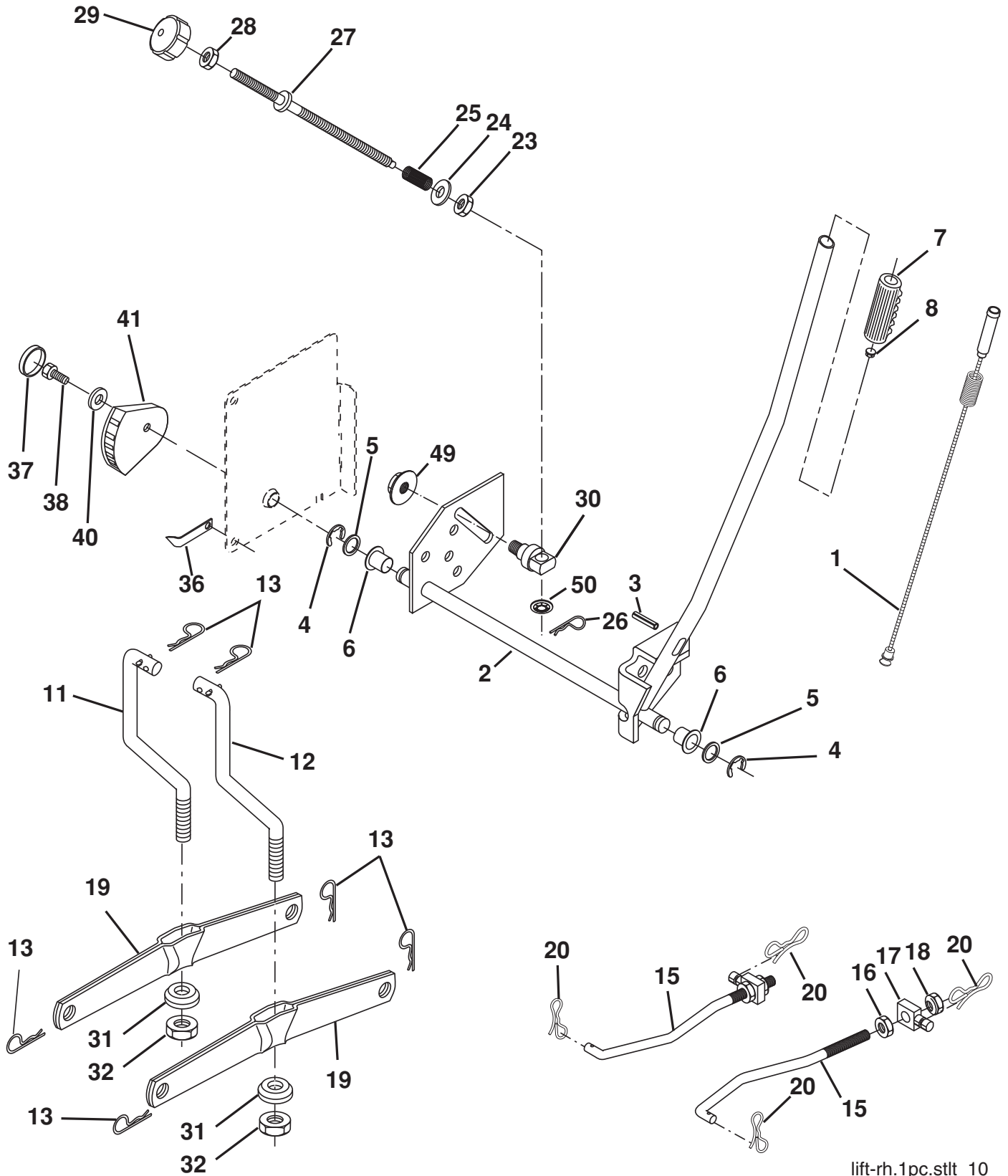
KEY NO.	PART NO.	DESCRIPTION
1	532 17 83-85	Control Throttle
2	532 19 16-11	Screw 10 x 3/4 Single Lead Hex
3	-----	Engine Briggs 406777 (Order parts from engine manufacturer)
4	532 14 97-23	Muffler Twin Lo-Twin
5	532 16 05-89	Pipe Exhaust Rh
6	532 15 99-55	Pipe Exhaust Lh
8	532 17 18-77	Bolt 5/16-18 unc x 3/4 w/Sems
10	532 14 66-29	Shield Heat Muffler
13	532 16 53-91	Gasket Muffler
14	532 14 84-56	Tube Drain Oil Easy
17	817 06 06-20	Screw, Thdrol 3/8-16 x 1-1/4
23	532 16 98-37	Shield Brn/Dbr Guard
25	532 19 15-96	Choke Control
29	532 13 71-80	Kit Spark Arrestor (Flat Scrn)
31	532 40 75-52	Tank Fuel
32	532 19 77-25	Cap Asm Fuel Top
33	532 12 34-87	Clamp Hose Blk
37	532 13 70-40	Line Fuel
38	532 18 16-54	Plug Drain Oil Easy
44	817 67 04-12	Screw Hexwsh Thdrol 1/4-20 x 3/4
45	817 00 06-12	Screw Hexwsh Thdrol 3/8-16 x 3/4
46	819 09 14-16	Washer 9/32 x 7/8 x 16 Ga.
72	532 18 39-06	Screw 5/16-18 x 1
81	873 51 04-00	Nut Keps Hex 1/4-20
91	873 18 74-95	Bushing 1.3750D

NOTE: All component dimensions given in U.S. inches
1 inch = 25.4 mm

Engine Power Rating Information

The gross power rating for individual gas engine models is labeled in accordance with SAE (Society of Automotive Engineers) code J11940 (Small Engine Power & Torque Rating Procedure), and rating performance has been obtained and corrected in accordance with SAE J1995 (Revision 2002-5). Actual gross engine power will be lower and is affected by, among other things, ambient operating conditions and engine-to-engine variability. Given both the wide array of products on which engines are placed and the variety of environmental issues applicable to operating the equipment, the gas engine will not develop the rated gross power when used in a given piece of power equipment (actual "on-site" or net horsepower). This difference is due to a variety of factors including, but not limited to, accessories (air cleaner, exhaust, charging, cooling, carburetor, fuel pump, etc.), application limitations, ambient operating conditions (temperature, humidity, altitude), and engine-to-engine variability. Due to manufacturing and capacity limitations, Briggs & Stratton may substitute an engine of higher rated power for this Series engine.

**TRACTOR - - MODEL NO. LT2220 CMA2 (96061022000), PRODUCT NO. 960 61 02-20
MOWER LIFT**



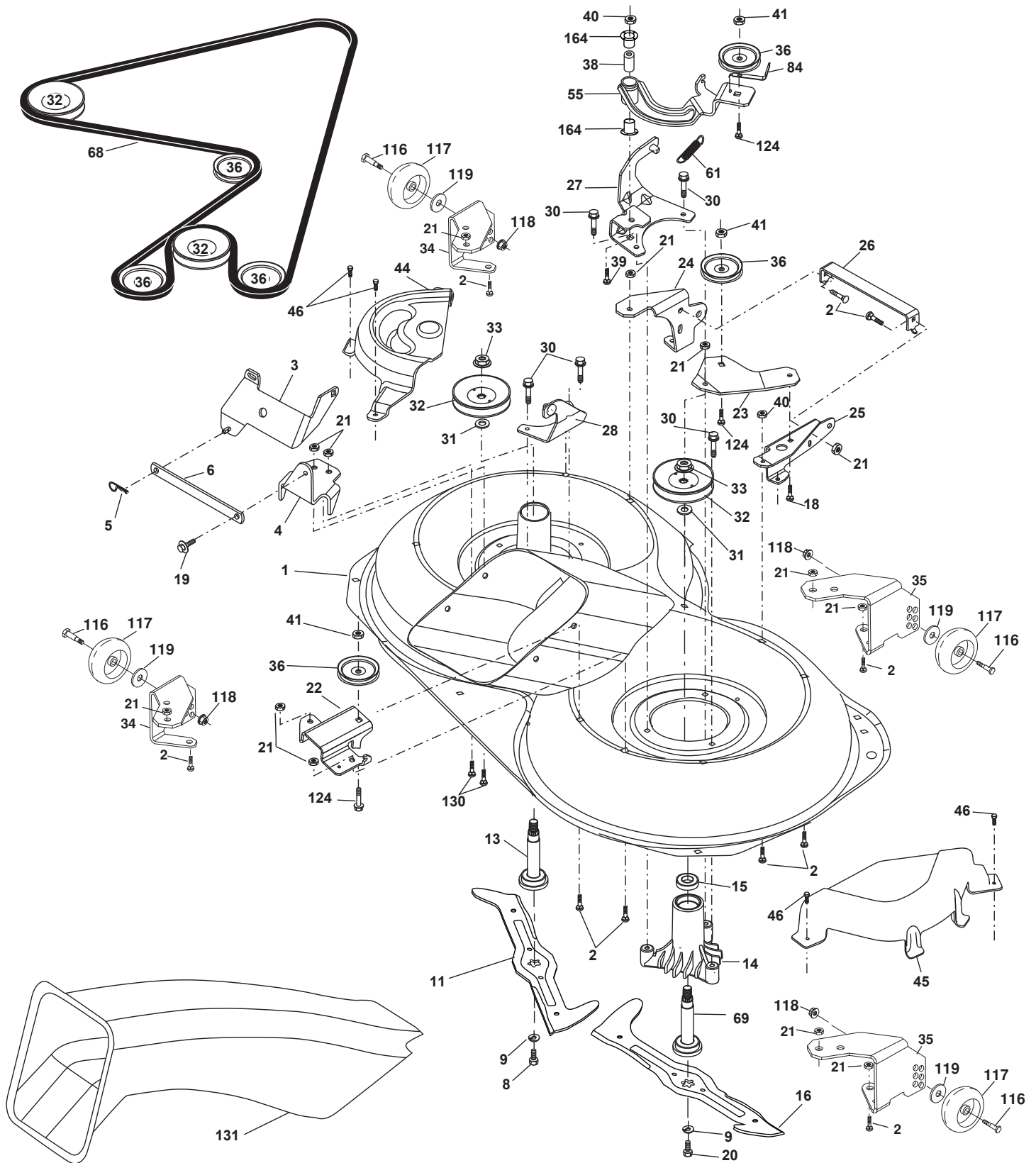
lift-rh.1pc.stlt_10

**TRACTOR - - MODEL NO. LT2220 CMA2 (96061022000), PRODUCT NO. 960 61 02-20
MOWER LIFT**

KEY NO.	PART NO.	DESCRIPTION
1	532 19 84-17	Washer Asm Inner Spring W/Plunger
2	532 19 80-70	Shaft Asm. Lift
3	532 18 88-22	Pin Groove
4	812 00 00-02	E Ring #5133-62
5	819 21 16-21	Washer 21/32 x 1 x 21 Ga.
6	532 12 01-83	Bearing Nylon
7	532 12 56-31	Grip Handle Fluted
8	532 12 45-26	Button Plunger Black
11	532 16 58-29	Link Asm Lift L.H.
12	532 16 58-31	Link Asm Lift R.H.
13	532 12 46-70	Retainer Spring
15	532 17 32-88	Link Front
16	873 35 08-00	Nut Jam Hex 1/2-13 unc
17	532 17 56-89	Trunnion Blk Zinc
18	873 80 08-00	Nut Lock W/Wsh 1/2-13 unc
19	532 13 98-68	Arm Suspension Mower
20	532 19 42-09	Pin Cotter 7/16 Bow Tie Lock
23	532 11 08-07	Nut Special
24	819 13 10-16	Washer 13/32 x 5/8 x 16 Ga.
25	532 16 40-24	Spring
26	532 16 94-84	Retainer Clip
27	532 16 45-43	Rod Adj Lift Zinc
28	873 35 06-00	Nut Hex Jam 3/8-16 unc
29	532 13 80-57	Knob Inf 3/8-16 unc Blk w/sym
30	532 15 02-33	Trunnion Infin Height
31	532 16 98-65	Bearing, Pvt. Lift.
32	873 54 06-00	Nut Crownlock 3/8-24
36	532 15 50-97	Pointer Height Indicator
37	532 12 39-35	Plug Hole Blk 1.485/1.515 Dia
38	817 06 05-16	Screw 5/16-18 x 1
40	819 11 24-10	Washer 11/32 x 1-1/2 x 10 Ga.
41	532 12 39-34	Scale Ind Height Blk
49	532 14 52-12	Nut hex Flange Lock
50	532 11 04-52	Nut Push Phos & Oil

NOTE: All component dimensions given in U.S. inches
1 inch = 25.4 mm

TRACTOR - - MODEL NO. LT2220 CMA2 (96061022000), PRODUCT NO. 960 61 02-20
MOWER



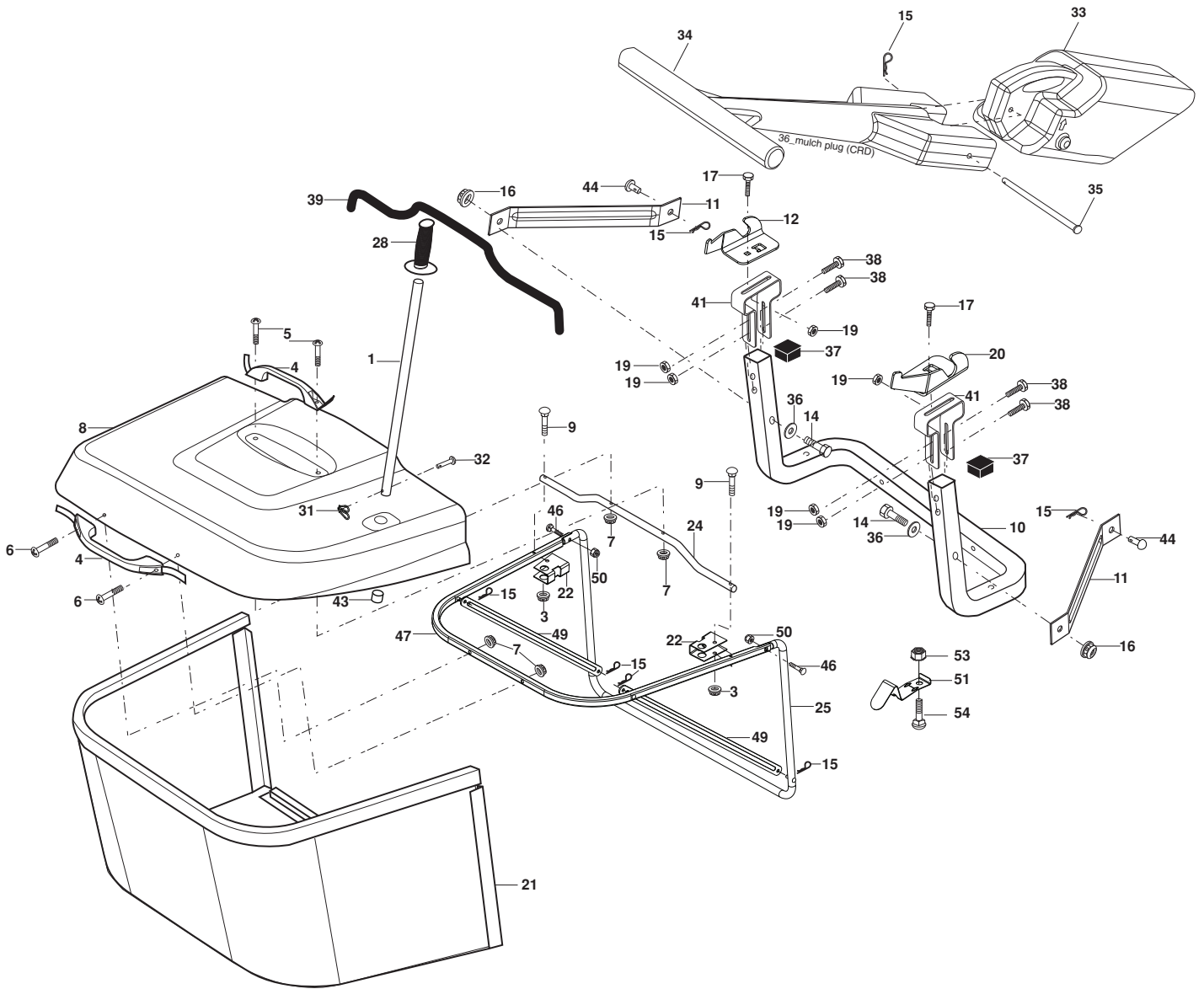
107cm_deck-elect.(CRD)_6

**TRACTOR - - MODEL NO. LT2220 CMA2 (96061022000), PRODUCT NO. 960 61 02-20
MOWER**

KEY NO.	PART NO.	DESCRIPTION	KEY NO.	PART NO.	DESCRIPTION
1	532 16 91-60	Housing Asm. Mower 107 CRD	36	532 14 67-63	Pulley Idler V-Groove Dim 4.25
2	872 14 05-06	Bolt Rdhd Sqnk 5/16-18 unc x 3/4	38	532 16 98-51	Spacer Hub Arm Idler 107 CRD
3	532 16 55-69	Bracket Asm. S-Bar Chass 92 CRD	39	872 11 06-22	Bolt Rdhd 3/8-16 unc x 2-3/4 Gr. 5
4	532 16 91-67	Bracket Bar Sway Deck 107 CRD	40	873 68 06-00	Nut Crownlock 3/8-16 unc
5	532 12 46-70	Retainer Spring	41	873 90 06-00	Nut Flangelock 3/8-16 unc
6	532 16 55-57	Bar Sway CRD	44	532 17 55-38	Cover Mandrel Lh 107 CRD
8	532 18 17-12	Bolt 3/8-24 x 1.25 Gr. 8 Patched	45	532 17 55-39	Cover Mandrel Rh 107 CRD
9	810 03 06-00	Washer Lock Hvy 3/8 Unplated	46	532 13 77-29	Screw Thd Roll 1/4-20 x 5/8
11	532 18 05-83	Blade 3-1 Lh 107 CRD	55	532 16 91-64	Arm Idler 107 CRD
13	532 13 76-45	Shaft Asm. W/Lower Bearing	61	532 19 94-87	Spring Tension Belt
14	532 12 87-74	Housing Mandrel Vented (Machd)	68	532 40 20-09	Belt Drive
15	532 11 04-85	Bearing Ball Mandrel	69	532 16 54-82	Shaft Asm W/Lwr Brg Rh Thd CRD
16	532 18 05-84	Blade 3-1 Rh 107 CRD	84	532 15 60-85	Keeper Belt Idler
18	872 11 06-06	Bolt RdHd Sqnk 3/8-16 x 3/4	116	532 19 34-06	Bolt Shoulder
19	532 13 28-27	Bolt Shoulder 5/16-18 Thd Form	117	532 17 48-73	Wheel Gage Donut Wide
20	532 18 17-13	Bolt 3/8-24 x 1.25 Gr.8 Ptch Lhthd	118	873 90 06-00	Nut Lock 3/8-16 UNC
21	873 68 05-00	Nut Crown Lock 5/16-18	119	819 13 20-12	Washer 13/32 x 1-1/4 x 12 Ga.
22	532 16 91-65	Bracket Idler Sprt RR 107 CRD	124	872 11 06-12	Bolt Carr Sh 3/8-16 x 1-1/2 Gr5
23	532 16 91-66	Bracket Idler Sprt RF 107 CRD	130	872 11 05-06	Bolt Rdhdsqnk 5/16-18 unc x 3/4
24	532 16 91-70	Bracket Suspension LF 107 CRD	131	532 16 56-61	Chute Bagger CRD 92cm
25	532 40 01-05	Bracket Suspension RF 107 CRD	164	532 12 49-37	Bearing Col. Strg.
26	532 40 01-10	Brace Support Susp Frt CRD	--	532 13 07-94	Mandrel Asm Service
27	532 16 91-72	Bracket Asm. Susp RR 107 CRD	--	532 16 55-79	Mandrel Asm CRD Lh Threads SVC
28	532 16 91-68	Bracket Asm. Susp LR 107 CRD	--	532 40 39-30	Replacement Mower Complete
30	532 17 39-84	Screw Thd Rolling Hex			
31	532 18 76-90	Washer Spacer			
32	532 19 81-45	Mandrel Pulleys			
33	532 40 02-34	Nut Flg Top Lock			
34	532 40 01-03	Bracket Gauge Wheel LF/RR			
35	532 40 01-04	Bracket Gauge Wheel RF/LR			

NOTE: All component dimensions given in U.S. inches
1 inch = 25.4 mm

**TRACTOR - - MODEL NO. LT2220 CMA2 (96061022000), PRODUCT NO. 960 61 02-20
BAGGER**



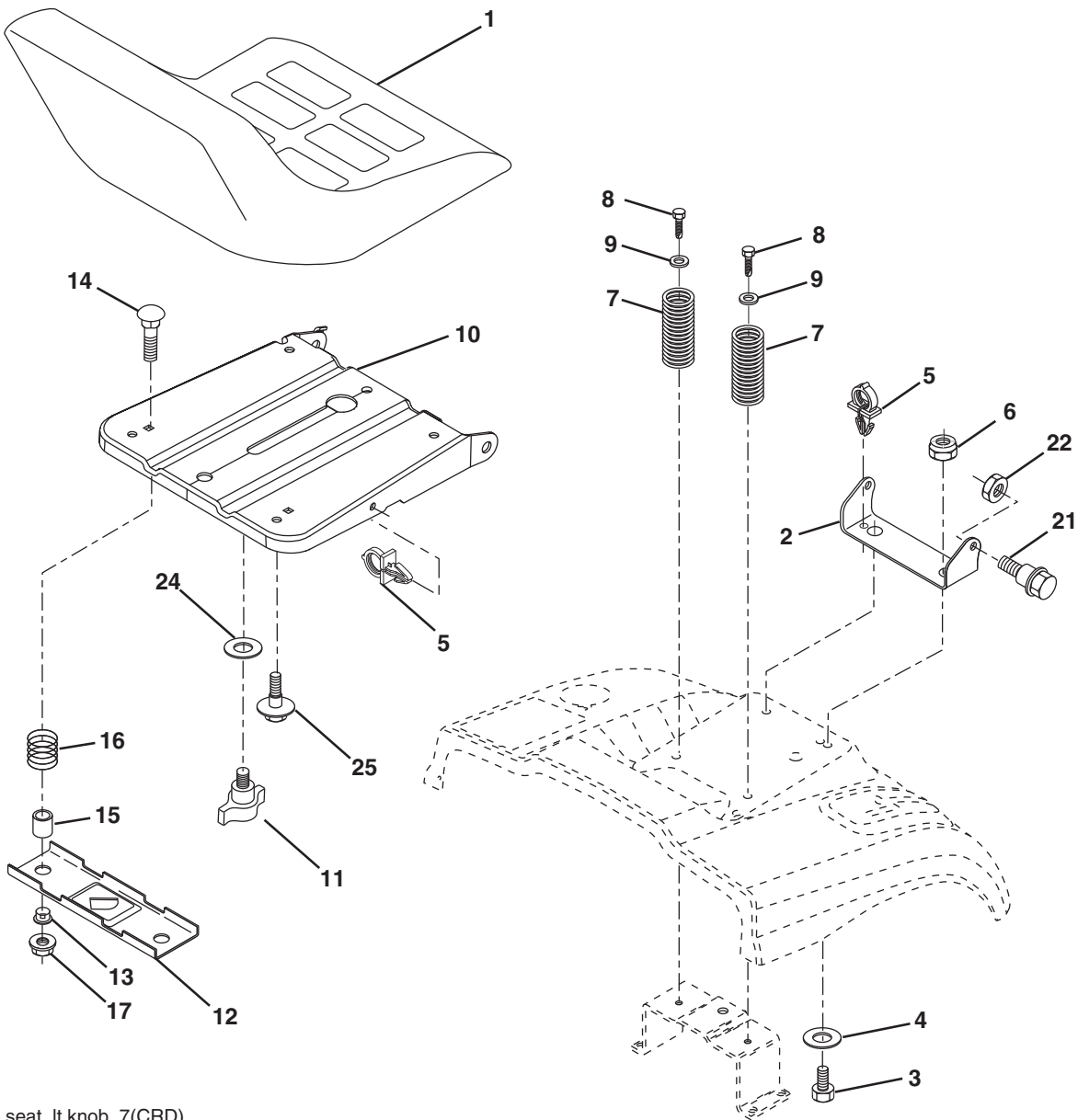
Bagger Asy (CRD)_12

**TRACTOR - - MODEL NO. LT2220 CMA2 (96061022000), PRODUCT NO. 960 61 02-20
BAGGER**

KEY NO.	PART NO.	DESCRIPTION
1	532 16 52-49	Tube Handle Bagger CRD
3	532 12 39-76	Nut Lock 1/4 Lge Flg Gr. 5 Zinc
4	532 16 99-16	Handle Bagger w/Lvrs Blk CRD
5	874 98 10-24	Screw Pan Head #10-24 x 1.50 Blk
6	874 98 10-32	Screw Pan Hd
7	873 40 10-00	Nut Wiz Lock Hex Serr/Hd 10-24
8	532 18 13-54	Cover Bagger
9	872 14 04-18	Bolt Carriage 1/4-20 x 2.25d x Gr.5
10	532 18 12-82	Tube Support Bagger CRD
11	532 16 57-19	Bracket Support Upper Bag CRD
12	532 18 88-48	Bracket Lh
14	874 52 06-36	Bolt Fin Hex 3/8-16 x 2 x 1/4 Gr. 5
15	532 12 46-70	Retainer Spring
16	873 90 06-00	Nut Lock Flg 3/8-16 unc
17	872 14 05-06	Bolt Rdhd Sht Sqnk 5/16 -18 unc x 3/4
19	873 90 05-00	Nut Lock Hex Flange 5/16-18
20	532 18 88-47	Bracket Horiz Adj Bagger Rh
21	532 40 61-80	Bag Asm CRD
22	532 16 57-81	Bracket Side Bagger CRD
24	532 16 57-83	Tube Pivot Bagger CRD
25	532 19 37-05	Tube Front Bagger CRD
28	532 16 57-87	Grip Handle Black
31	532 16 94-84	Retainer Clip Dia. .290
32	532 12 68-75	Rivet Rd Hd Drilled 3/8 Dia
33	532 16 93-80	Plug Mulcher
34	532 16 55-70	Handle Mulcher
35	532 16 55-72	Pin Mulcher
36	819 13 20-12	Washer 13/32 x 1-1/4 x 12 Ga.
37	532 17 54-01	Plug Support Bagger CRD
38	872 01 05-20	Bolt 5/16-18 x 2-1/2
39	532 18 09-85	Seal Trim
41	532 16 96-83	Bracket Pnt Adj Pvt Bagger CRD
43	532 17 40-83	Plug Tubing End
44	532 19 33-12	Pin Clevis 3/8" x 11/16"
46	872 11 05-10	Bolt Carr. 5/16-18 x 1-1/4 Gr. 5
47	532 19 37-04	Tube Upper Bagger
49	532 19 33-05	Bar Spreader Bagger
50	873 80 05-00	Nut Lock Hex w/insert 5/16-18 unc
51	532 19 99-03	Latch Spring Bagger
53	873 51 04-00	Nut Keps Hex 1/4-20 unc
54	872 14 04-06	Bolt Rdhd Sqnk 1/4-20 x 3/4 Gr. 5

NOTE: All component dimensions given in U.S. inches
1 inch = 25.4 mm

**TRACTOR - - MODEL NO. LT2220 CMA2 (96061022000), PRODUCT NO. 960 61 02-20
SEAT ASSEMBLY**



seat_lt.knob_7(CRD)

KEY NO.	PART NO.	DESCRIPTION
1	532 40 10-43	Seat
2	532 14 05-51	Bracket Pivot
3	871 11 06-16	Bolt Fin Hex 3/8-16 x 1
4	819 13 16-10	Washer flat 13/32 x 1 x 10 Ga.
5	532 14 50-06	Clip Push In Hinged
6	873 80 06-00	Nut Lock Hex 3/8-16 unc
7	532 12 41-81	Spring Seat Cprsn 2 250 Blk Zi
8	817 00 06-16	Screw 3/8-16 x 1-1/2
9	819 13 16-14	Washer 13/32 x 1 x 14 Ga
10	532 19 55-30	Pan Seat
11	532 16 63-69	Knob Seat Adj. Wingnut
12	532 17 46-48	Bracket Pnt Mounting Switch

KEY NO.	PART NO.	DESCRIPTION
13	532 12 12-48	Bushing Snap Blk Nyl 50 Id
14	872 05 04-12	Bolt Rdhd Sht Nk 1/4-20 x 1-1/2
15	532 12 12-49	Spacer Split 28 x 88 Zinc
16	532 12 37-40	Spring Cprsn
17	532 12 39-76	Nut Lock 1/4 Lge Flg Gr 5 Zinc
21	532 17 18-52	Bolt Shoulder 5/16-18 unc-2A
22	873 80 05-00	Nut Hex Lock w/Ins 5/16-18
24	819 17 19-12	Washer 17/32 x 1-3/16 x 12 Ga.
25	532 12 70-18	Bolt Shoulder 5/16-18 x .62

NOTE: All component dimensions given in U.S. inches.
1 inch = 25.4 mm