

LT2223CMA2

Spare parts

Ersatzteile

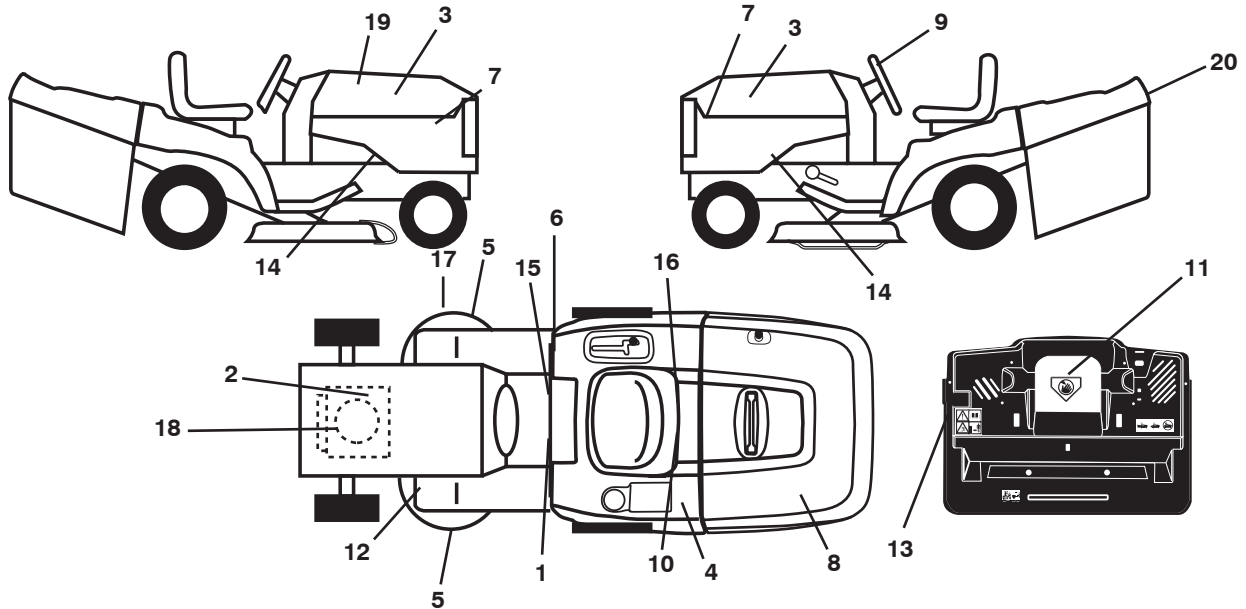
Pièces détachées

Reserve onderdelen

Repuestos

Reservdelar

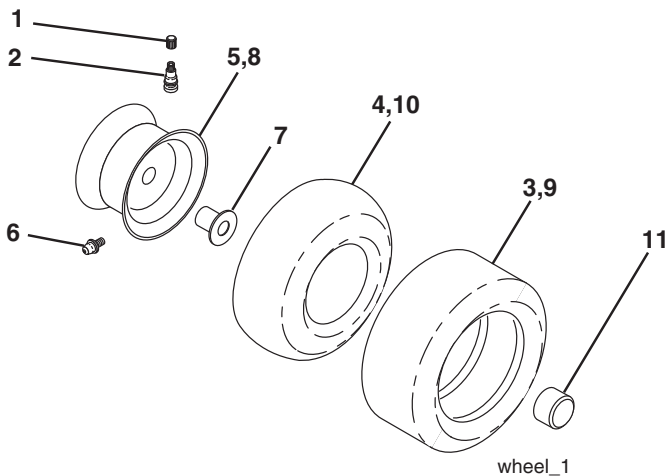
**TRACTOR -- MODEL NO. LT2223CMA2 (96061020100), PRODUCT NO. 960 61 02-01
DECALS**



| KEY NO. | PART NO. | DESCRIPTION |
|---------|--------------|---------------------------------|
| 1 | 532 40 03-89 | Decal, Warning Syms. CE |
| 2 | 532 19 68-41 | Decal, Warning Eng. Sym. |
| 3 | 532 18 95-53 | Decal, Hood/Grille |
| 4 | 532 18 04-32 | Decal, Fender |
| 5 | 532 19 68-42 | Decal, Sdl Shf/CRD Sym Cutfingr |
| 6 | 532 18 04-32 | Decal, 100 DBA/CE |
| 7 | 532 40 85-37 | Decal, Panel Side |
| 8 | 532 18 39-31 | Decal, Bagger |
| 9 | 532 18 57-73 | Decal, Ins Strg Whl |
| 10 | 532 14 50-05 | Decal, Bat Dan/Poi P/L Sym Wpn |
| 11 | 532 18 21-66 | Decal, Mower Cut Finger Symbol |
| 12 | 532 15 97-37 | Decal, Brake/Clutch Symbol Lt |

| KEY NO. | PART NO. | DESCRIPTION |
|---------|--------------|-----------------------------|
| 13 | 532 18 04-35 | Decal, Rear Plate CRD |
| 14 | 532 15 97-36 | Decal, Chassis Hot Muffler |
| 15 | 532 14 08-37 | Decal, Saddle Brake Parking |
| 16 | 532 16 69-60 | Decal, Bypass Fender CRD |
| 17 | 532 16 62-86 | Decal, Hex Belt Sch CRD |
| 18 | 532 40 91-53 | Decal, Engine |
| 19 | 532 40 86-74 | Decal, Replacement |
| 20 | 532 18 39-30 | Decal, Cover/Bolt |
| -- | 532 16 69-60 | Decal, By Pass |
| -- | 532 18 10-91 | Pad FTREST LH |
| -- | 532 18 10-90 | Pad FTREST RH |
| -- | 532 40 84-71 | Manual Operator's (Euro) |

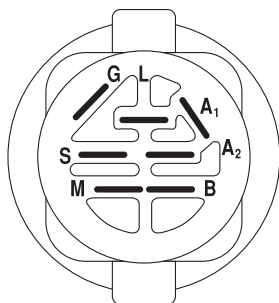
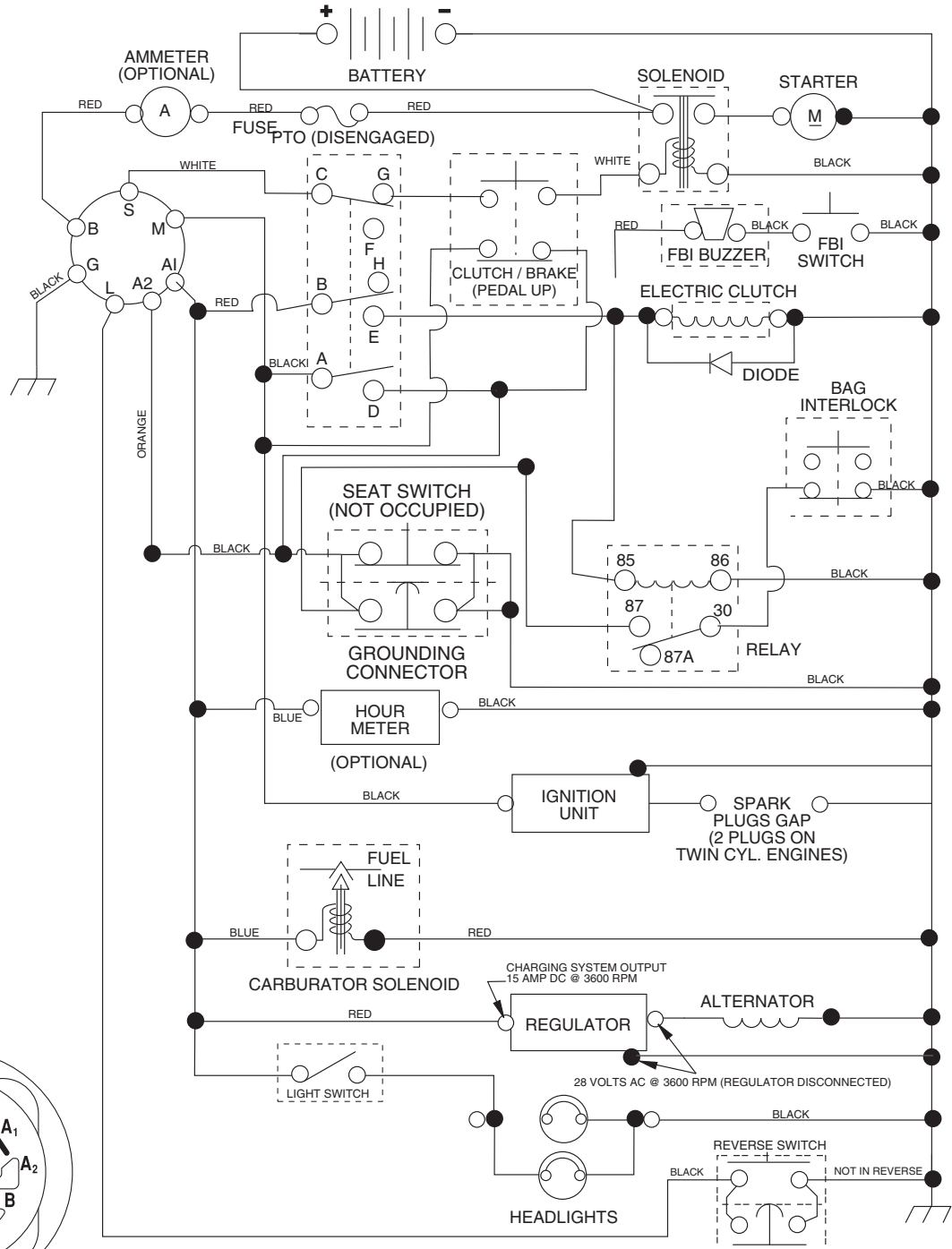
WHEELS & TIRES



| KEY NO. | PART NO. | DESCRIPTION |
|---------|--------------|--------------------------------|
| 1 | 532 05 91-92 | Cap Valve Tire |
| 2 | 532 06 51-39 | Stem Valve |
| 3 | 532 10 62-22 | Tire F Ts 15 x 6 0 - 6 Service |
| 4 | 532 05 99-04 | Tube Inner Front #35060 |
| 5 | 532 13 83-36 | Rim Asm 6"front Silver Service |
| 6 | 532 12 49-57 | Fitting Grease |
| 7 | 532 12 49-59 | Bearing Flange |
| 8 | 532 13 83-37 | Rim Asm 8"rear Silver Service |
| 9 | 532 12 20-82 | Tire R Ts 20 x 10-8 Service |
| 10 | 532 12 49-26 | Tube Rear 9 5 x 8 Service |
| 11 | 532 17 50-39 | Cap Axle Blk 1 50 x 1 00 |
| -- | 532 14 43-34 | Sealant, Tire (10 oz. tube) |

NOTE: All component dimensions given in U.S. inches
1 inch = 25.4 mm

TRACTOR - - MODEL NO. LT2223CMA2 (96061020100), PRODUCT NO. 960 61 02-01 SCHEMATIC



IGNITION SWITCH

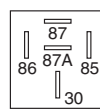
| POSITION | CIRCUIT | "MAKE" |
|--------------|------------|--------|
| OFF | M+G+A1 | |
| RUN/OVERRIDE | B+A1 | |
| RUN | B+A1 | L+A2 |
| START | B + S + A1 | |

WIRING INSULATED CLIPS
NOTE: IF WIRING INSULATED CLIPS WERE REMOVED FOR SERVICING OF UNIT, THEY SHOULD BE REPLACED TO PROPERLY SECURE YOUR WIRING.

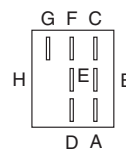
03130

PTO SWITCH

| POSITION | CIRCUIT |
|----------|---------------------|
| OFF | C + G, B + H |
| ON | C + F, B + E, A + D |



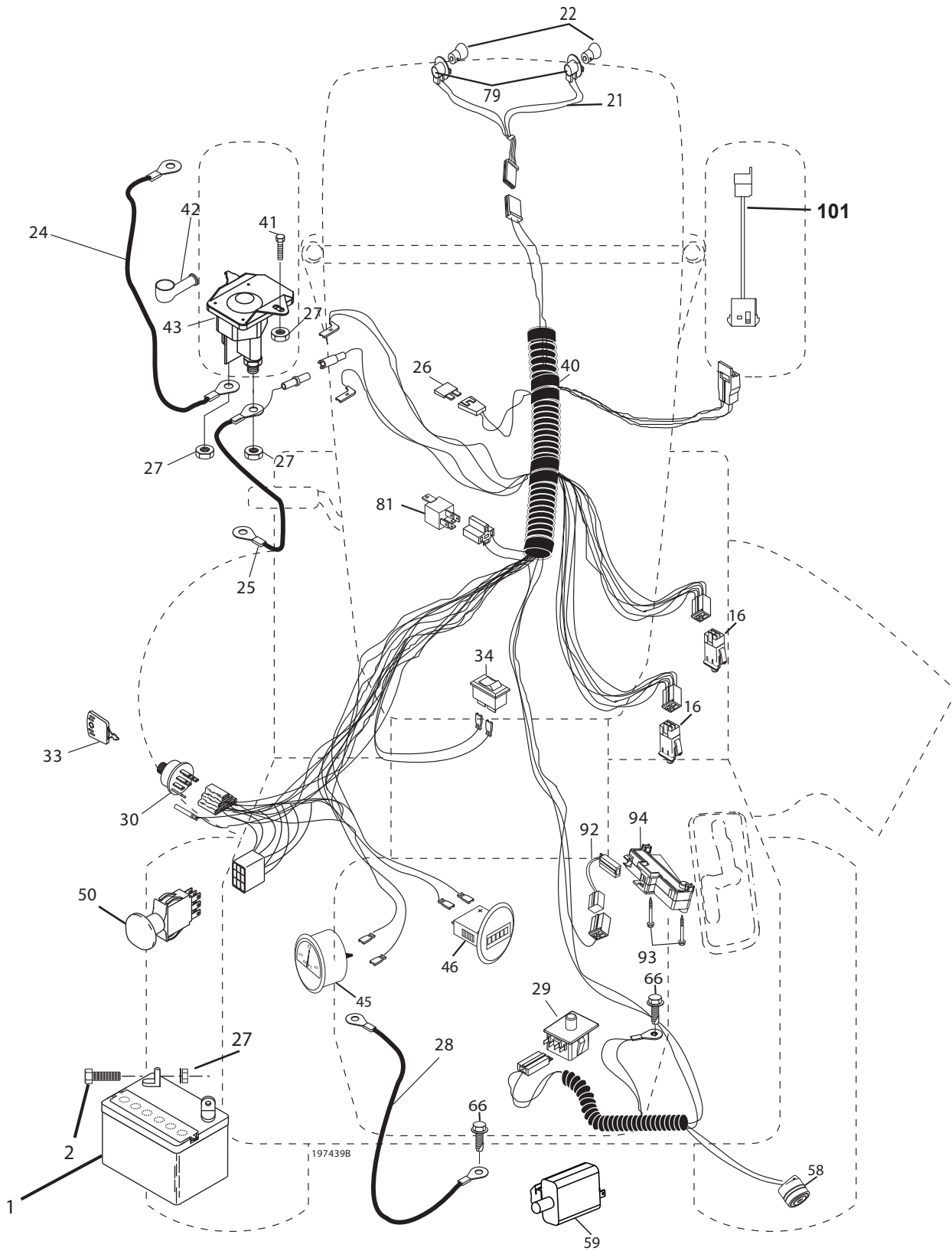
RELAY



NON-REMOVABLE CONNECTIONS

REMOVABLE CONNECTIONS

**TRACTOR -- MODEL NO. LT2223CMA2 (96061020100), PRODUCT NO. 960 61 02-01
ELECTRICAL**

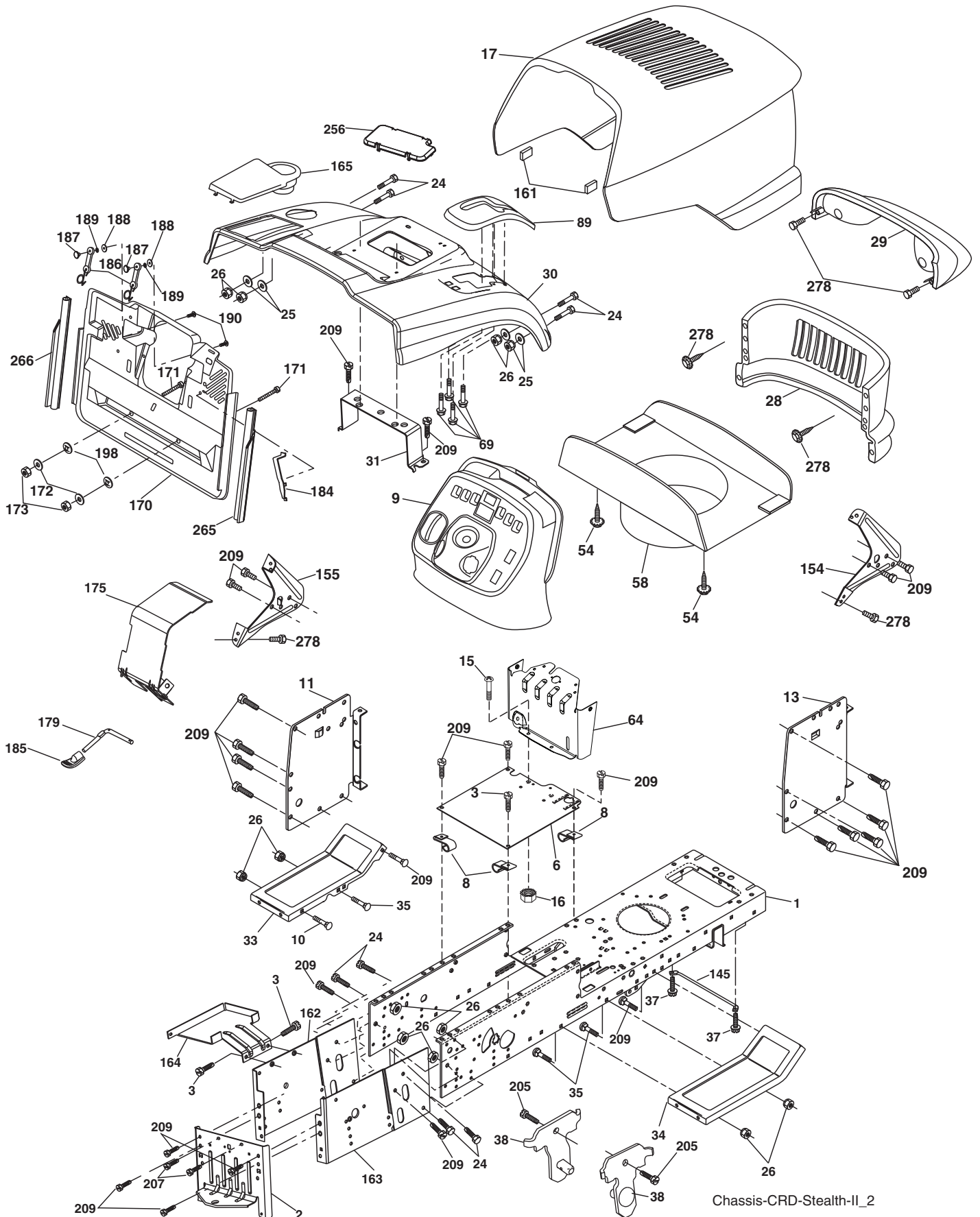


**TRACTOR - - MODEL NO. LT2223CMA2 (96061020100), PRODUCT NO. 960 61 02-01
ELECTRICAL**

| KEY NO. | PART NO. | DESCRIPTION |
|----------------|-----------------|---------------------------------|
| 1 | 532 14 49-27 | Battery |
| 2 | 874 76 04-12 | Bolt Hex Hd 1/4-20 unc x 3/4 |
| 16 | 532 17 61-38 | Switch Interlock Push-In |
| 21 | 532 17 56-88 | Harness Asm Light W/4152J |
| 22 | 532 00 41-52 | Bulb Light #1156 |
| 24 | 532 12 47-80 | Cable Starter 6GA |
| 25 | 532 16 59-87 | Cable Battery |
| 26 | 532 17 51-58 | Fuse 20 Amp |
| 27 | 873 51 04-00 | Nut Keps Hex 1/4-20 unc |
| 28 | 532 12 77-25 | Cable Ground 6 Ga. 18" Black |
| 29 | 532 19 27-49 | Switch Seat |
| 30 | 532 19 33-50 | Switch Ignition |
| 33 | 532 14 04-01 | Key Ign |
| 34 | 532 11 07-12 | Switch 10 x 3/4 Single Lead-Hex |
| 40 | 532 19 74-39 | Harness Ign Crd Elect |
| 41 | 871 11 04-08 | Bolt Hex Fin 1/4-20 unc x 1/2 |
| 42 | 532 13 15-63 | Cover Terminal Red |
| 43 | 532 19 25-07 | Solenoid |
| 45 | 532 17 75-00 | Ammeter Round |
| 46 | 532 17 75-01 | Meter Hour |
| 50 | 532 17 46-51 | Switch PTO |
| 58 | 532 16 94-19 | Buzzer Crd |
| 59 | 532 18 03-79 | Switch FBI CRD |
| 66 | 817 49 06-08 | Screw Thdrol 3/8-16 x 1/2 Ty-Tt |
| 79 | 532 17 52-42 | Socket Asm. Bulb Twistlock |
| 81 | 532 10 97-48 | Relay Asm |
| 92 | 532 19 66-15 | Harness Pigtail Console |
| 93 | 532 19 25-40 | Screw Plastite 10-14 x 2.0 |
| 94 | 532 19 18-34 | Module Reverse ROS |
| 101 | 532 19 83-17 | Pigtail MATNLK |

NOTE: All component dimensions given in U.S. inches.
1 inch = 25.4 mm.

**TRACTOR -- MODEL NO. LT2223CMA2 (96061020100), PRODUCT NO. 960 61 02-01
CHASSIS AND ENCLOSURES**



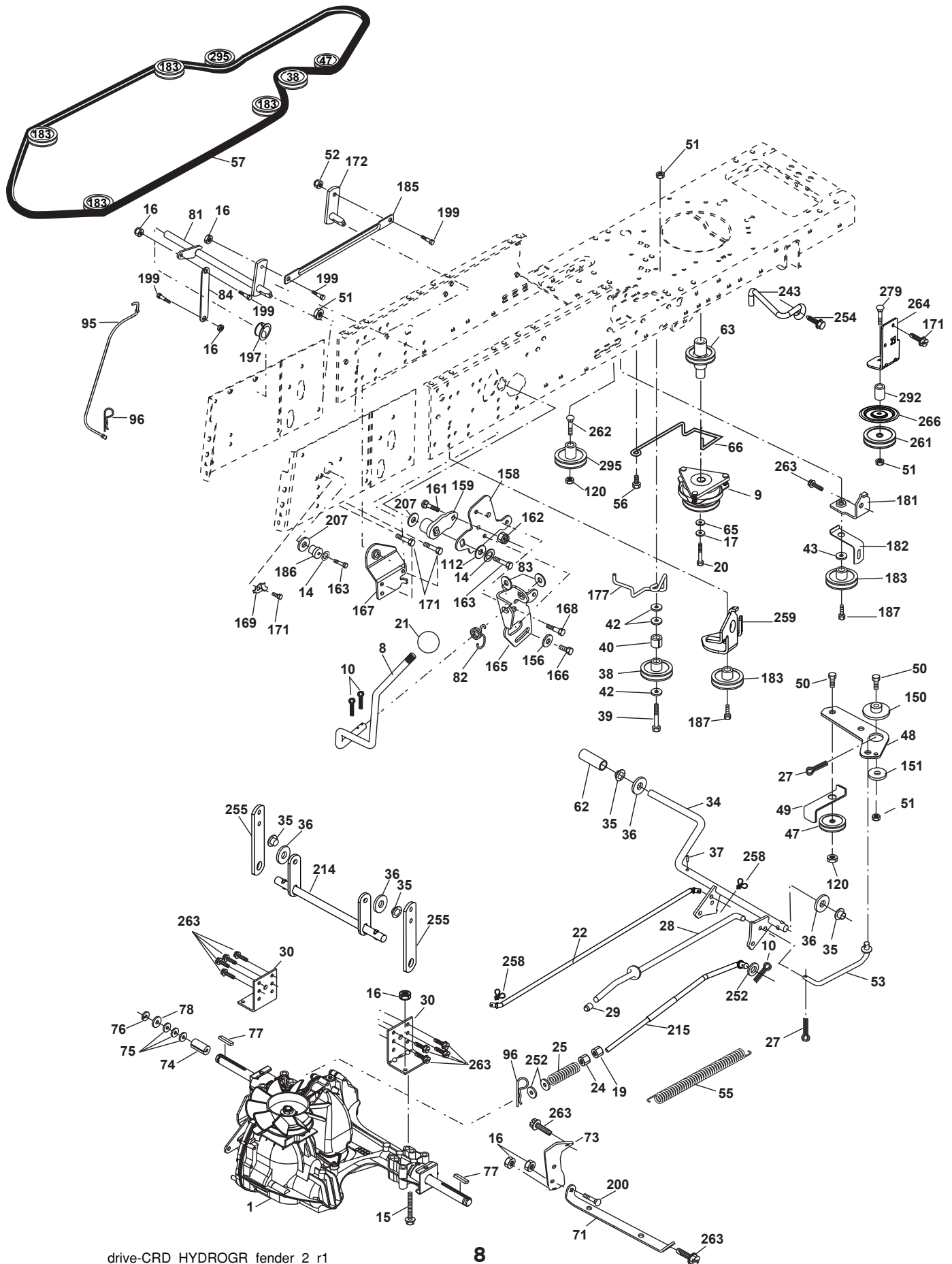
Chassis-CRD-Stealth-II_2

**TRACTOR - - MODEL NO. LT2223CMA2 (96061020100), PRODUCT NO. 960 61 02-01
CHASSIS AND ENCLOSURES**

| KEY NO. | PART NO. | DESCRIPTION | KEY NO. | PART NO. | DESCRIPTION |
|----------------|-----------------|----------------------------------|----------------|-----------------|-------------------------------------|
| 1 | 532 17 46-20 | Chassis | 161 | 532 16 46-55 | Bumper Extrusion |
| 2 | 532 18 03-84 | Drawbar | 162 | 532 18 03-82 | Bracket Exten Chassis LH CRD |
| 3 | 817 06 06-12 | Screw 3/8-16 x 3/4 | 163 | 532 18 03-83 | Bracket Exten Chassis RH CRD |
| 6 | 532 18 44-19 | Saddle | 164 | 532 16 56-05 | Support Battery CRD |
| 8 | 532 12 64-71 | Clip Insulator 13/32 Mtg. Hole | 165 | 532 18 13-56 | Cover Battery |
| 9 | 532 19 49-28 | Dash | 170 | 532 19 94-88 | Backplate CRD |
| 10 | 872 14 06-08 | Bolt, Carriage 3/8-16 x 1 | 171 | 872 14 06-20 | Bolt Rdhd Sqnk 3/8-16 x 2-1/2 Gr. 5 |
| 11 | 532 16 72-03 | Panel, Dash, LH | 172 | 819 13 20-16 | Washer 13/32 x 1-1/4 x 16 Ga. |
| 13 | 532 17 82-98 | Panel, Asm. Dash RH | 173 | 873 51 06-00 | Nut, Keps Hex 3/8-16 unc |
| 15 | 874 18 05-12 | Screw Mach. trhd. 5/16-18uncx3/4 | 175 | 532 18 82-03 | Guard Trap |
| 16 | 873 51 05-00 | Nut Keps 5/16-18 unc | 179 | 532 18 82-02 | Rod Pivot FBI CRD |
| 17 | 532 18 13-51 | Hood | 184 | 532 17 46-62 | Bracket Actuator Bagger CRD |
| 24 | 874 78 06-16 | Bolt | 185 | 532 18 11-01 | Knob Rod Brake Parking |
| 25 | 819 13 13-12 | Washer 13/32 x 13/16 x 12 Ga. | 186 | 532 16 07-93 | Latch Asm Mulch/Bagger |
| 26 | 873 80 06-00 | Nut | 187 | 532 12 50-04 | Nut Weld |
| 28 | 532 18 13-52 | Grille | 188 | 819 06 12-16 | Washer #10 |
| 29 | 532 16 18-40 | Lens, Grille | 189 | 810 07 10-00 | Washer Lock #10 |
| 30 | 532 19 73-44 | Fender | 190 | 871 08 10-10 | Screw Pan Hd Phillip 10-24 x 5/8 |
| 31 | 532 16 51-56 | Bracket, Fender Support | 198 | 532 16 89-37 | Nut, Push |
| 33 | 532 18 11-93 | Footrest, L.H. | 205 | 817 49 06-08 | Screw Thdrol 3/8-16 x 1/2 |
| 34 | 532 18 11-94 | Footrest, R.H. | 207 | 817 67 05-08 | Screw Thdrol 5/16-18 x 1/2 |
| 35 | 872 11 06-06 | Bolt | 209 | 817 00 06-12 | Screw Hex Wsh Thdrol 3/8-16 |
| 37 | 817 49 05-08 | Screw Thdrol 5/16-18 x 1/2 TYT | 256 | 532 18 13-61 | Cover Fender Rack CRD |
| 38 | 532 18 17-48 | Bracket Asm Pivot Mower Rear | 265 | 532 18 57-04 | Seal RH Side Bagger |
| 54 | 532 19 25-12 | Screw Hex WsHd 10-32 x 5/8 | 266 | 532 18 57-03 | Seal LH Side Bagger |
| 58 | 532 17 53-51 | Duct Air Engine | 278 | 532 19 16-11 | Screw 10 x 3/4 Single Lead-Hex |
| 64 | 532 19 93-95 | Bracket, Lower dash | | | |
| 69 | 532 14 24-32 | Screw Hex Wsh | | | |
| 89 | 532 19 73-66 | Console | | | |
| 145 | 532 15 65-24 | Rod Pivot Chassis/Hood | | | |
| 154 | 532 18 39-25 | Bracket, RH Dash | | | |
| 155 | 532 18 39-26 | Bracket, LH Dash | | | |

NOTE: All component dimensions given in U.S. inches.
1 inch = 25.4 mm.

TRACTOR - - MODEL NO. LT2223CMA2 (96061020100), PRODUCT NO. 960 61 02-01
DRIVE

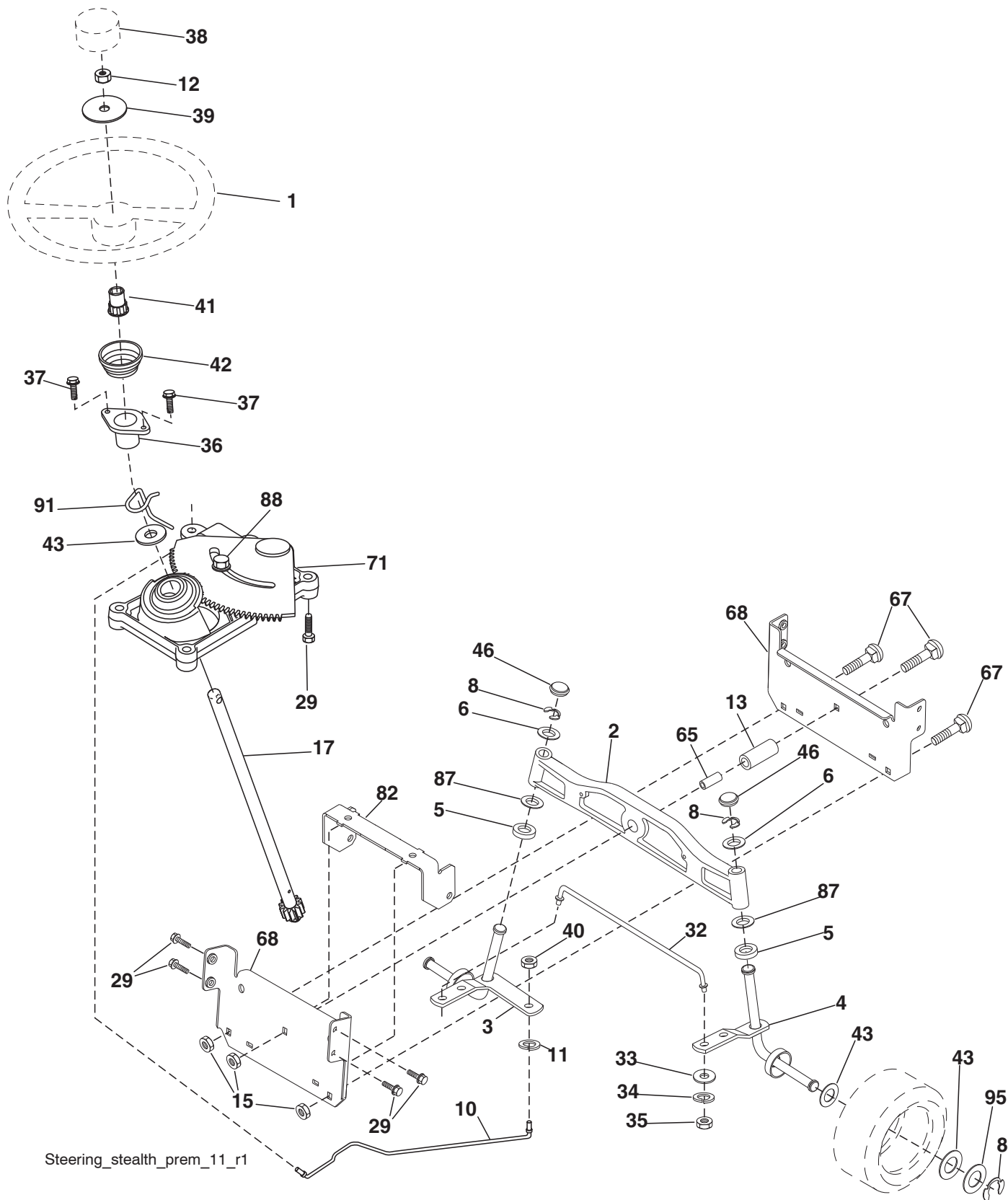


**TRACTOR - - MODEL NO. LT2223CMA2 (96061020100), PRODUCT NO. 960 61 02-01
DRIVE**

| KEY NO. | PART NO. | DESCRIPTION | KEY NO. | PART NO. | DESCRIPTION |
|---------|--------------|--|---------|--------------|------------------------------------|
| 1 | ----- | Transaxle Hydro Gear 321-0510 (Order parts from transaxle manufacturer) | 82 | 532 16 57-11 | Spring, Torsion |
| 8 | 532 19 27-06 | Rod, Shift Fender Adjust Lt | 83 | 819 17 12-16 | Washer 17/32 x 3/4 x 16 Ga. |
| 9 | 532 19 81-43 | Clutch Ele | 84 | 532 17 00-07 | Link, Transaxle |
| 10 | 876 02 04-16 | Pin, Cotter 1/8 x 1 | 95 | 532 17 00-15 | Control Asm Bypass Hydro |
| 14 | 810 04 04-00 | Washer, Lock Hvy Helical | 96 | 532 12 47-88 | Spring, Retainer 1" |
| 15 | 874 49 05-44 | Bolt Hex FGHD 5/16-18 x Gr. 5 | 112 | 819 09 12-10 | Washer 9/32 x 3/4 x 10 Ga. |
| 16 | 873 80 05-00 | Nut, Lock Hex w/lns 5/16-18 unc | 120 | 873 90 06-00 | Nut Lock Flg. 3/8-16 unc |
| 17 | 810 04 07-00 | Washer Lock Hvy Hlcl 7/16 | 150 | 532 16 58-50 | Bushing, Bellcrank Grnd Dr |
| 19 | 873 80 06-00 | Nut Lock Hex w/Insert 3/8-16 unc | 151 | 819 13 32-10 | Washer 13/32 x 2 x 10 Ga. |
| 20 | 532 17 39-37 | Bolt, Hex 7/16-20 x 4 | 156 | 532 16 60-02 | Washer Srrted 5/16 ID x 1.125 |
| 21 | 532 13 05-64 | Knob Deluxe | 158 | 532 16 55-89 | Bracket Shift Mount |
| 22 | 532 17 56-07 | Rod, Brake | 159 | 532 18 39-00 | Hub Tapered Flange Shift Lt |
| 24 | 873 35 06-00 | Nut | 161 | 872 14 04-06 | Bolt Rdhd Sqnk 1/4-20 x 3/4 Gr 5 |
| 25 | 532 19 20-36 | Spring, Rod, Brake | 162 | 873 68 04-00 | Nut Crownlock 1/4-20 unc |
| 27 | 876 02 04-12 | Pin, Cotter 1/8 x 3/4 | 163 | 874 78 04-16 | Bolt Hex Fin 1/4-20 unc x 1 Gr 5 |
| 28 | 532 17 57-65 | Rod, Parking Brake | 165 | 532 16 56-23 | Bracket Pivot Lever |
| 29 | 532 07 16-73 | Cap, Parking Brake | 166 | 817 49 05-10 | Screw 5/16-18 x 5/8 |
| 30 | 532 16 95-92 | Bracket, Mfg. Transaxle | 167 | 532 16 55-88 | Bracket Support Shift CRD |
| 34 | 532 17 55-78 | Shaft, Asm Pedal Foot CRD | 168 | 532 16 54-92 | Bolt Shoulder 5/16-18 x .561 |
| 35 | 532 12 01-83 | Bearing, Nylon | 169 | 532 16 55-80 | Plate Fastening Lt |
| 36 | 819 21 16-16 | Washer 21/32 x 1 x 16 Ga. | 171 | 817 49 06-08 | Screw Thdrol 3/8-16 x 1/2 Ty-Tt |
| 37 | 532 12 49-63 | Pin, Roll 3/16 x 1" | 172 | 532 17 02-71 | Shaft Asm Shifter Frt CRD |
| 38 | 532 16 59-36 | Pulley Flat Composite 3.06" | 177 | 532 16 59-32 | Keeper Flat Idler 3.06" CRD |
| 39 | 874 76 06-44 | Bolt Fin Hex 3/8-16 unc x 2-3/4 | 181 | 532 18 02-11 | Bracket Idler Ground Drive CRD |
| 40 | 532 12 49-65 | Spacer, Split 395 x 59 Bzp | 182 | 532 18 26-82 | Keeper Belt 2.5" Od V-Idler CRD |
| 42 | 819 13 13-12 | Washer 13/32 x 13/16 x 12 Ga. | 183 | 532 19 95-32 | Pulley V-Idler CRD |
| 43 | 819 11 10-12 | Washer 11/32 x 5/8 x 12 Ga. | 185 | 532 17 00-08 | Link Shift |
| 47 | 532 12 77-83 | Pulley, Idler, V Groove Plasic | 186 | 532 16 56-14 | Hub Tapered Round CRD |
| 48 | 532 15 44-07 | Bellcrank Clutch Grnd Drv | 187 | 817 58 05-20 | Screw Thdrol 5/16-18 x 1.25 |
| 49 | 532 12 32-05 | Retainer, Belt Style Spring | 197 | 532 16 96-13 | Nyliner Snap-In 5/8 |
| 50 | 872 11 06-12 | Bolt Carr. Sh. 3/8-16 x 1-1/2 Gr. 5 | 199 | 532 16 96-12 | Bolt Shoulder 5/16-18 unc |
| 51 | 873 68 06-00 | Nut, Crownlock 3/8-16 unc | 200 | 872 14 05-08 | Bolt RDHD SQNK 5/16-18 x 1 |
| 52 | 873 6805-00 | Nut Crownlock 5/16-18 | 207 | 532 16 98-45 | Washer Nylon Rear |
| 53 | 532 19 96-52 | Link, Clutch 7.66 | 214 | 532 17 56-09 | Shaft Asm. Brake |
| 55 | 532 10 57-09 | Spring, Return, Clutch | 215 | 532 17 56-52 | Rod Brake Hydro |
| 56 | 817 06 06-20 | Screw 3/8-16 x 1-1/4 | 243 | 532 19 07-36 | Bracket Anti Rotation |
| 57 | 532 17 01-40 | V-Belt Kev 112" 0650 CRD | 252 | 819 13 16-16 | Washer 13/32 x 1 x 16 Ga. |
| 62 | 532 12 48-72 | Cover, Pedal | 254 | 817 00 06-16 | Screw 3/8-16 x 1 |
| 63 | 532 18 03-97 | Pulley, Engine | 255 | 532 17 56-08 | Brace Shaft Brake Mtg. |
| 65 | 532 12 61-97 | Washer | 258 | 532 17 80-62 | Clip Retainer |
| 66 | 532 15 47-78 | Keeper, Belt Engine F-Proof | 259 | 532 18 02-12 | Bracket Pulley |
| 71 | 532 16 91-83 | Strap, Torque, Lh | 261 | 532 13 14-94 | Pulley Idler Flat |
| 73 | 532 16 91-82 | Strap, Torque, Rh | 262 | 872 11 06-22 | Bolt Rdhd 3/8-16 unc x 2-3/4 Gr. 5 |
| 74 | 532 13 70-57 | Spacer, Split | 263 | 817 00 06-12 | Screw Hx Wsh Thdrol 3/8-16 x 3/4 |
| 75 | 532 12 17-49 | Washer 25/32 x 1-1/4 x 16 Ga. | 264 | 532 19 76-07 | Bracket Idler Chassis |
| 76 | 812 00 00-01 | Ring, E | 266 | 532 18 20-61 | Shield Idler |
| 77 | 532 12 35-83 | Key, Square | 279 | 872 11 06-16 | Bolt Rdhd Sqnk 3/8-16 unc x 2 |
| 78 | 532 12 17-48 | Washer 25/32 x 1-5/8 x 16 Ga. | 292 | 532 40 02-71 | Spacer Noram |
| 81 | 532 17 00-06 | Asm, Shaft | 295 | 532 17 91-14 | Pulley Idler Composite |

NOTE: All component dimensions given in U.S. inches
1 inch = 25.4 mm

TRACTOR - - MODEL NO. LT2223CMA2 (96061020100), PRODUCT NO. 960 61 02-01 STEERING ASSEMBLY

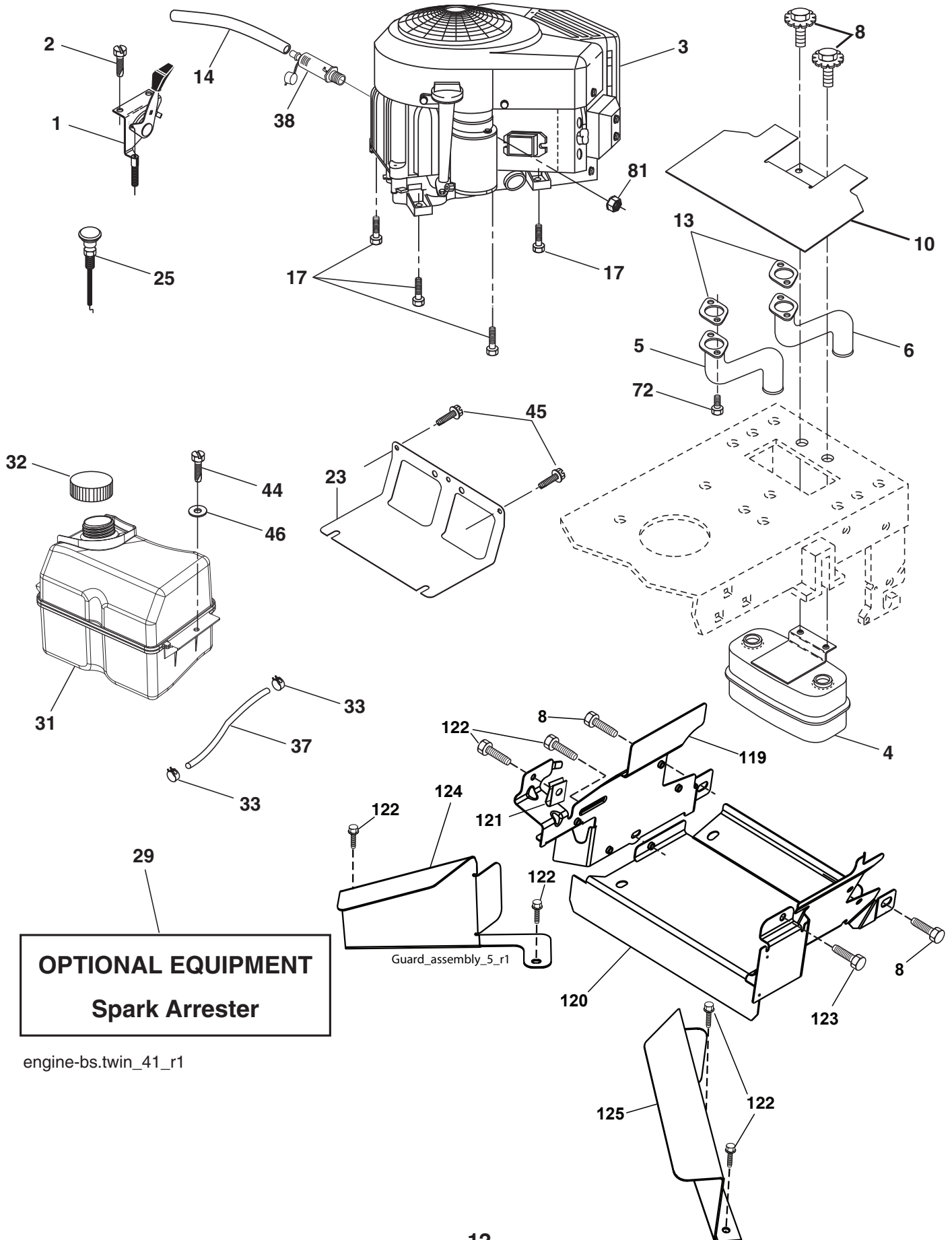


**TRACTOR - - MODEL NO. LT2223CMA2 (96061020100), PRODUCT NO. 960 61 02-01
STEERING ASSEMBLY**

| KEY NO. | PART NO. | DESCRIPTION |
|----------------|---------------------|----------------------------------|
| 1 | 532 19 46-37 | Steering Wheel |
| 2 | 532 18 47-06 | Front Axle Assembly |
| 3 | 532 16 98-40 | Spindle Assembly, L.H. |
| 4 | 532 16 98-39 | Spindle Assembly, R.H. |
| 5 | 532 12 49-31 | Bearing, Race, Thrust, Hardened |
| 6 | 532 12 17-48 | Washer 25/32 x 1-5/8 x 16 Ga. |
| 8 | 812 00 00-29 | Ring, Klip |
| 10 | 532 17 51-21 | Link, Drag |
| 11 | 810 04 06-00 | Washer, Lock |
| 12 | 873 94 08-00 | Nut Hex Jam Toplock 1/2-20 unf |
| 13 | 532 13 65-18 | Spacer Axle |
| 15 | 532 14 52-12 | Nut Hex Flange Lock |
| 17 | 532 17 78-83 | Shaft Assembly, Steering |
| 29 | 817 00 06-12 | Screw 3/8-16 x 3/4 |
| 32 | 532 17 18-88 | Rod, Tie |
| 33 | 819 11 12-16 | Washer 11/32 x 3/4 x 16 Ga. |
| 34 | 810 04 05-00 | Washer Lock Hvy Hlcl Spr 5/16 |
| 35 | 873 54 05-00 | Crownlock Nut 5/16-24 unf |
| 36 | 532 15 51-05 | Bushing, Steering |
| 37 | 532 15 29-27 | Screw TT #10-32 x 5 x 3/8 Flange |
| 38 | 532 19 46-03 | Cap Wheel Steer |
| 39 | 819 18 38-12 | Washer 9/16 ID x 2-3/8 OD 12 Ga. |
| 40 | 873 54 06-00 | Nut Crownlock 3/8-24 |
| 41 | 532 18 67-37 | Adaptor, Steering Wheel |
| 42 | 532 17 71-49 | Boot, Steering Dash |
| 43 | 532 12 17-49 | Washer 25/32 x 1-1/4 x 16 Ga. |
| 46 | 532 12 12-32 | Cap, Spindle |
| 65 | 532 16 03-67 | Spacer Axle |
| 67 | 872 11 06-18 | Bolt Rdhd Sq 3/8-16 x 2-1/4 |
| 68 | 532 16 98-27 | Brace Axle |
| 71 | 532 17 51-46 | Steering Asm. |
| 82 | 532 19 99-78 | Bracket Susp. Chassis Front |
| 87 | 532 17 39-66 | Washer Flat .781 x 1-1/2 x .14 |
| 88 | 532 17 51-18 | Bolt Shoulder 7/16-20 unc |
| 91 | 532 17 55-53 | Clip Steering |
| 95 | 532 18 89-67 | Washer |

NOTE: All component dimensions given in U.S. inches.
1 inch = 25.4 mm.

**TRACTOR -- MODEL NO. LT2223CMA2 (96061020100), PRODUCT NO. 960 61 02-01
ENGINE**



OPTIONAL EQUIPMENT
Spark Arrester

engine-bs.twin_41_r1

TRACTOR - - MODEL NO. LT2223CMA2 (96061020100), PRODUCT NO. 960 61 02-01 ENGINE

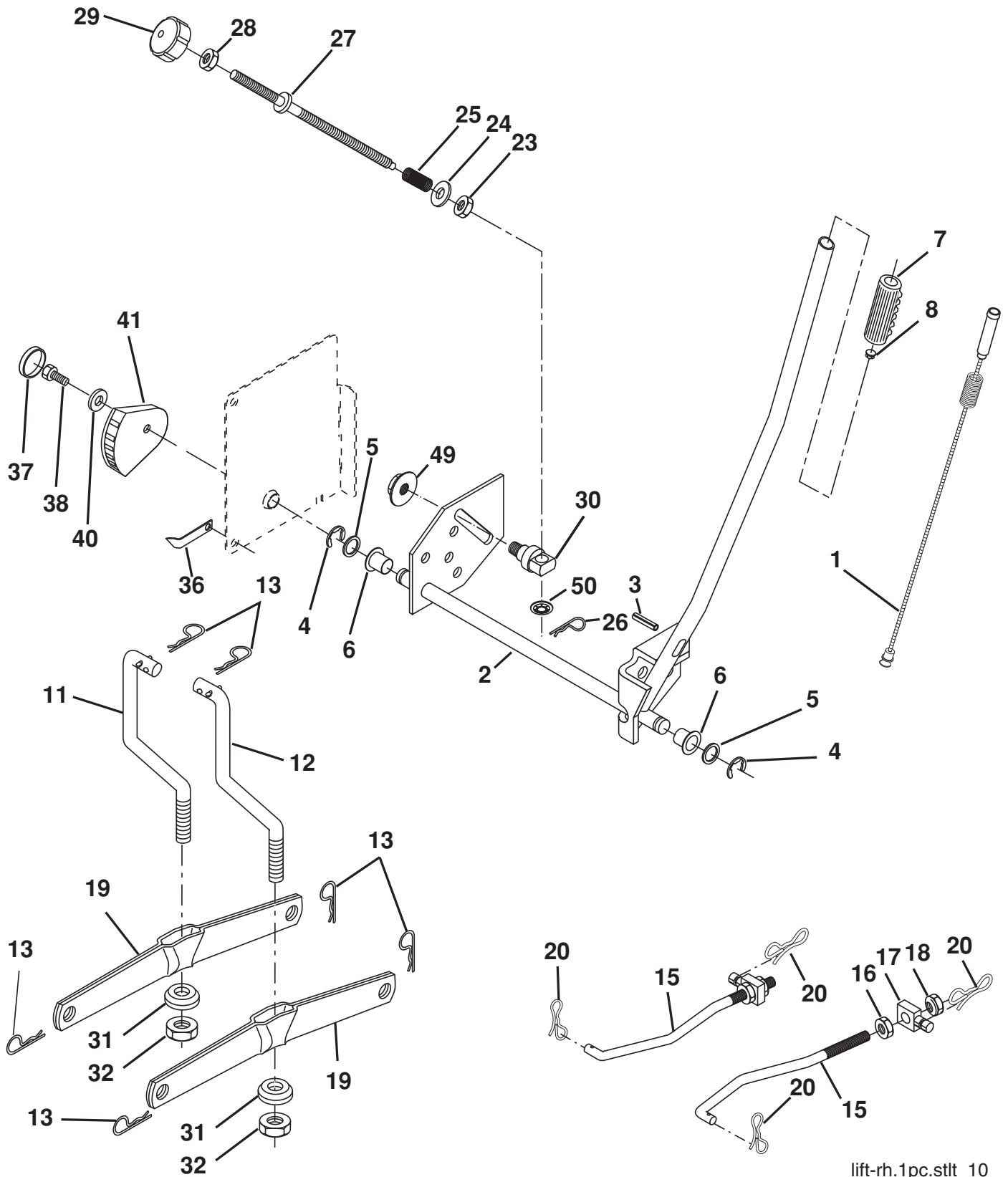
| KEY NO. | PART NO. | DESCRIPTION |
|---------|---------------------|--|
| 1 | 532 17 83-85 | Control Throttle |
| 2 | 532 19 16-11 | Screw 10 x 3/4 Single Lead Hex |
| 3 | ----- | Engine Briggs 445577 (Order parts from engine manufacturer) |
| 4 | 532 14 97-23 | Muffler Twin Lo-Twin |
| 5 | 532 16 05-89 | Pipe Exhaust Rh |
| 6 | 532 15 99-55 | Pipe Exhaust Lh |
| 8 | 532 17 18-77 | Bolt 5/16-18 unc x 3/4 w/Sems |
| 10 | 532 14 66-29 | Shield Heat Muffler |
| 13 | 532 16 53-91 | Gasket Muffler |
| 14 | 532 14 84-56 | Tube Drain Oil Easy |
| 17 | 817 06 06-20 | Screw, Thdrol 3/8-16 x 1-1/4 |
| 23 | 532 16 98-37 | Shield Brn/Dbr Guard |
| 25 | 532 19 15-96 | Choke Control |
| 29 | 532 13 71-80 | Kit Spark Arrestor (Flat Scrn) |
| 31 | 532 40 75-52 | Tank Fuel |
| 32 | 532 19 77-25 | Cap Asm Fuel Top |
| 33 | 532 12 34-87 | Clamp Hose Blk |
| 37 | 532 13 70-40 | Line Fuel |
| 38 | 532 18 16-54 | Plug Drain Oil Easy |
| 44 | 817 67 04-12 | Screw Hexwsh Thdrol 1/4-20 x 3/4 |
| 45 | 817 00 06-12 | Screw Hexwsh Thdrol 3/8-16 x 3/4 |
| 46 | 819 09 14-16 | Washer 9/32 x 7/8 x 16 Ga. |
| 72 | 532 18 39-06 | Screw 5/16-18 x 1 |
| 81 | 873 51 04-00 | Nut Keps Hex 1/4-20 |
| 119 | 532 19 97-68 | Guard Engine LH |
| 120 | 532 19 97-67 | Guard Engine RH |
| 121 | 532 19 66-88 | Clips |
| 122 | 532 13 77-29 | Screw Thdrol 1/4-20 x 5/8 |
| 123 | 817 67 05-08 | Screw Thdrol 5/16-18 x 1/2 |
| 124 | 532 41 05-26 | Shield Side LH |
| 125 | 532 41 05-27 | Shield Side RH |

NOTE: All component dimensions given in U.S. inches
1 inch = 25.4 mm

Engine Power Rating Information

The gross power rating for individual gas engine models is labeled in accordance with SAE (Society of Automotive Engineers) code J11940 (Small Engine Power & Torque Rating Procedure), and rating performance has been obtained and corrected in accordance with SAE J1995 (Revision 2002-5). Actual gross engine power will be lower and is affected by, among other things, ambient operating conditions and engine-to-engine variability. Given both the wide array of products on which engines are placed and the variety of environmental issues applicable to operating the equipment, the gas engine will not develop the rated gross power when used in a given piece of power equipment (actual "on-site" or net horsepower). This difference is due to a variety of factors including, but not limited to, accessories (air cleaner, exhaust, charging, cooling, carburetor, fuel pump, etc.), application limitations, ambient operating conditions (temperature, humidity, altitude), and engine-to-engine variability. Due to manufacturing and capacity limitations, Briggs & Stratton may substitute an engine of higher rated power for this Series engine.

**TRACTOR - - MODEL NO. LT2223CMA2 (96061020100), PRODUCT NO. 960 61 02-01
MOWER LIFT**



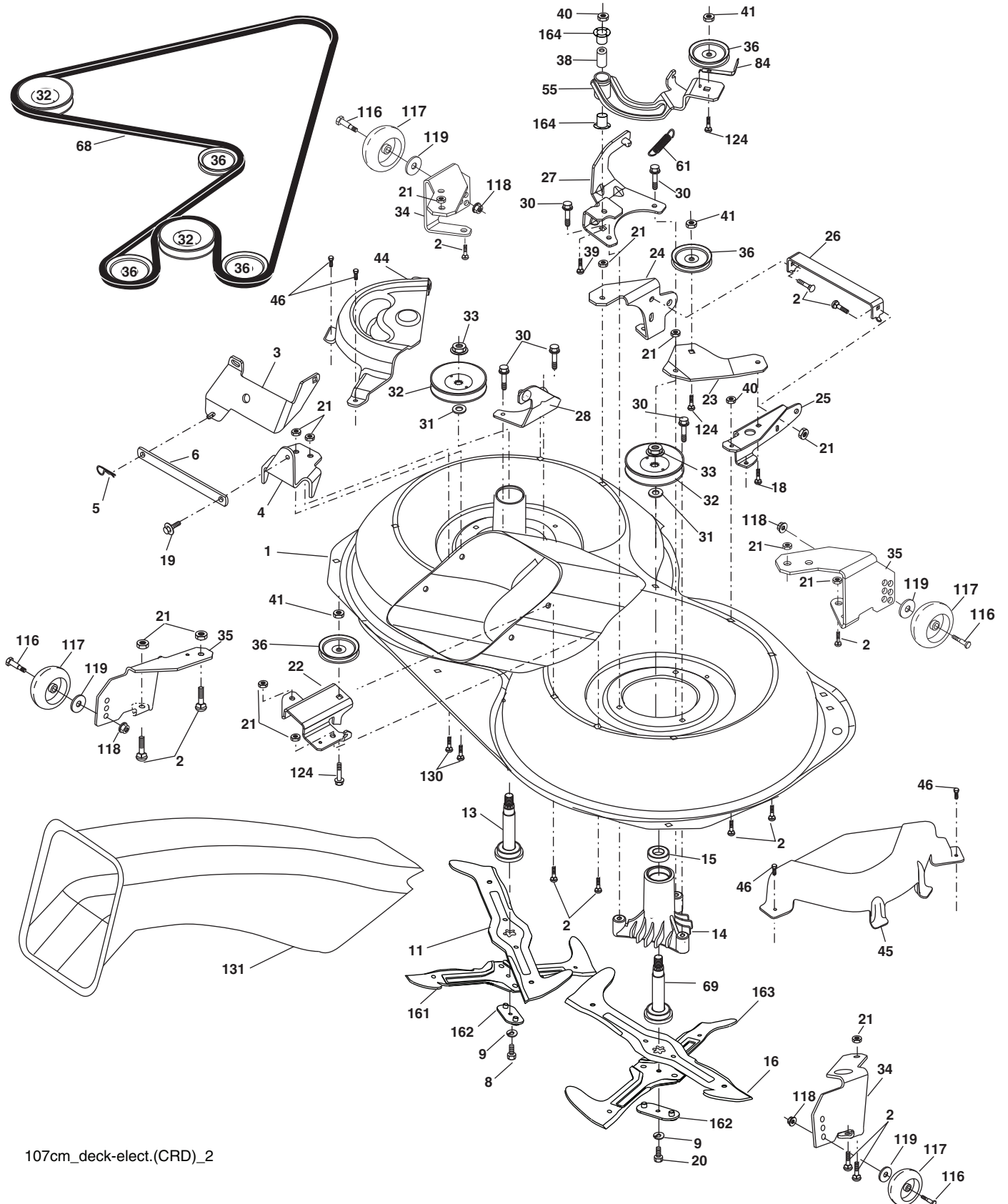
lift-rh.1pc.stlt_10

**TRACTOR - - MODEL NO. LT2223CMA2 (96061020100), PRODUCT NO. 960 61 02-01
MOWER LIFT**

| KEY NO. | PART NO. | DESCRIPTION |
|--------------------|---------------------|---------------------------------|
| 1 | 532 19 84-17 | Wire Asm Inner Spring W/Plunger |
| 2 | 532 19 80-70 | Shaft Asm. Lift |
| 3 | 532 18 88-22 | Pin Groove |
| 4 | 812 00 00-02 | E Ring #5133-62 |
| 5 | 819 21 16-21 | Washer 21/32 x 1 x 21 Ga. |
| 6 | 532 12 01-83 | Bearing Nylon |
| 7 | 532 12 56-31 | Grip Handle Fluted |
| 8 | 532 12 45-26 | Button Plunger Black |
| 11 | 532 16 58-29 | Link Asm Lift L.H. |
| 12 | 532 16 58-31 | Link Asm Lift R.H. |
| 13 | 532 12 46-70 | Retainer Spring |
| 15 | 532 17 32-88 | Link Front |
| 16 | 873 35 08-00 | Nut Jam Hex 1/2-13 unc |
| 17 | 532 17 56-89 | Trunnion Blk Zinc |
| 18 | 873 80 08-00 | Nut Lock W/Wsh 1/2-13 unc |
| 19 | 532 13 98-68 | Arm Suspension Mower |
| 20 | 532 19 42-09 | Pin Cotter 7/16 Bow Tie Lock |
| 23 | 532 11 08-07 | Nut Special |
| 24 | 819 13 10-16 | Washer 13/32 x 5/8 x 16 Ga. |
| 25 | 532 16 40-24 | Spring |
| 26 | 532 16 94-84 | Retainer Clip |
| 27 | 532 16 45-43 | Rod Adj Lift Zinc |
| 28 | 873 35 06-00 | Nut Hex Jam 3/8-16 unc |
| 29 | 532 13 80-57 | Knob Inf 3/8-16 unc Blk w/sym |
| 30 | 532 15 02-33 | Trunnion Infin Height |
| 31 | 532 16 98-65 | Bearing, Pvt. Lift. |
| 32 | 873 54 06-00 | Nut Crownlock 3/8-24 |
| 36 | 532 15 50-97 | Pointer Height Indicator |
| 37 | 532 12 39-35 | Plug Hole Blk 1.485/1.515 Dia |
| 38 | 817 06 05-16 | Screw 5/16-18 x 1 |
| 40 | 819 11 24-10 | Washer 11/32 x 1-1/2 x 10 Ga. |
| 41 | 532 12 39-34 | Scale Ind Height Blk |
| 49 | 532 14 52-12 | Nut hex Flange Lock |
| 50 | 532 11 04-52 | Nut Push Phos & Oil |

NOTE: All component dimensions given in U.S. inches
1 inch = 25.4 mm

TRACTOR - - MODEL NO. LT2223CMA2 (96061020100), PRODUCT NO. 960 61 02-01
MOWER



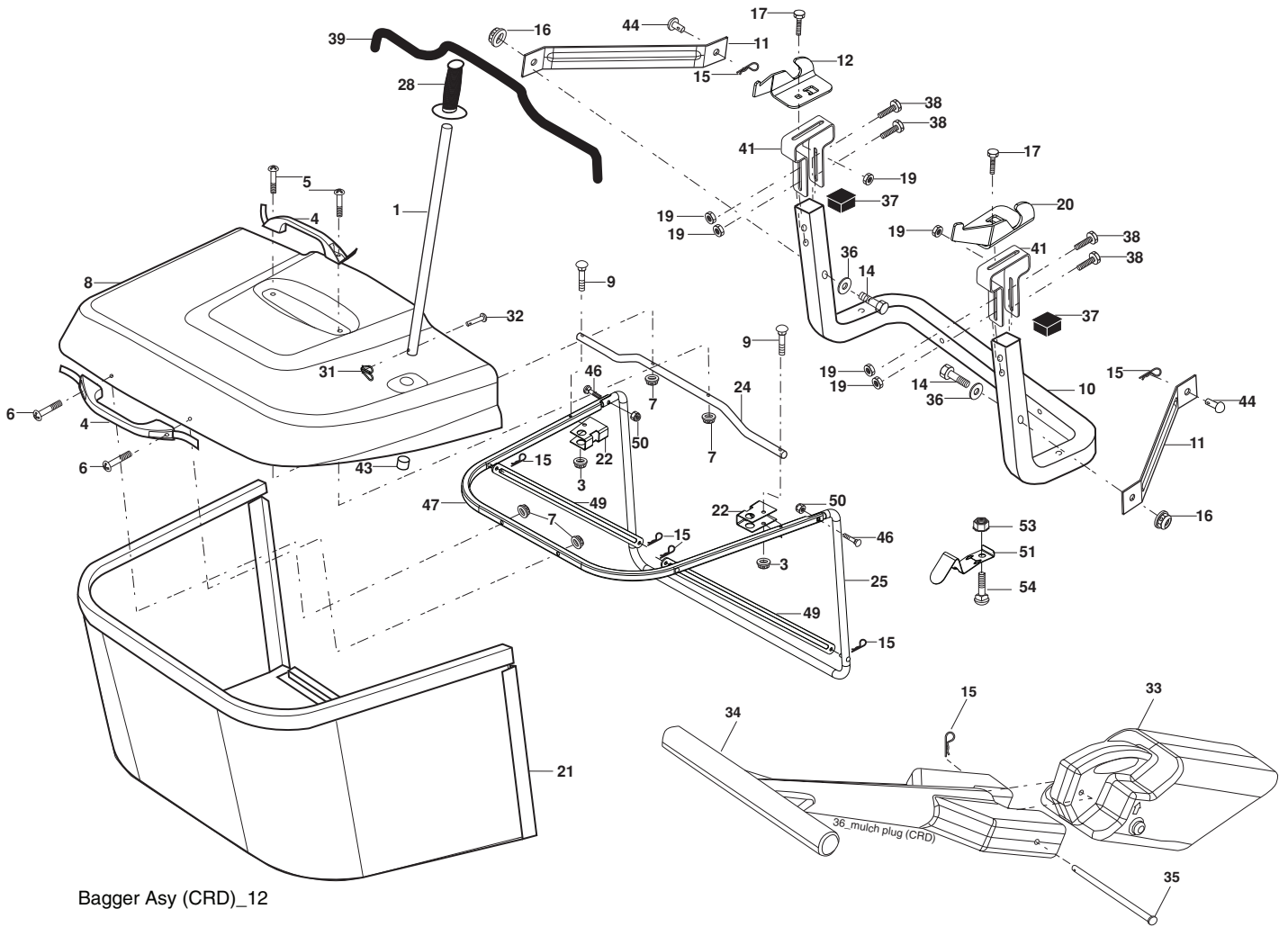
107cm_deck-elect.(CRD)_2

**TRACTOR - - MODEL NO. LT2223CMA2 (96061020100), PRODUCT NO. 960 61 02-01
MOWER**

| KEY NO. | PART NO. | DESCRIPTION | KEY NO. | PART NO. | DESCRIPTION |
|----------------|-----------------|------------------------------------|----------------|-----------------|------------------------------------|
| 1 | 532 16 91-60 | Housing Asm. Mower 107 CRD | 36 | 532 14 67-63 | Pulley Idler V-Groove Dim 4.25 |
| 2 | 872 14 05-06 | Bolt Rdhd Sqnk 5/16-18 unc x 3/4 | 38 | 532 16 98-51 | Spacer Hub Arm Idler 107 CRD |
| 3 | 532 16 55-69 | Bracket Asm. S-Bar Chass 92 CRD | 39 | 872 11 06-22 | Bolt Rdhd 3/8-16 unc x 2-3/4 Gr. 5 |
| 4 | 532 16 91-67 | Bracket Bar Sway Deck 107 CRD | 40 | 873 68 06-00 | Nut Crownlock 3/8-16 unc |
| 5 | 532 12 46-70 | Retainer Spring | 41 | 873 90 06-00 | Nut Flangelock 3/8-16 unc |
| 6 | 532 16 55-57 | Bar Sway CRD | 44 | 532 17 55-38 | Cover Mandrel Lh 107 CRD |
| 8 | 532 18 17-12 | Bolt 3/8-24 x 1.25 Gr. 8 Patched | 45 | 532 17 55-39 | Cover Mandrel Rh 107 CRD |
| 9 | 810 03 06-00 | Washer Lock Hvy 3/8 Unplated | 46 | 532 13 77-29 | Screw Thd Roll 1/4-20 x 5/8 |
| 11 | 532 18 05-83 | Blade 3-1 Lh 107 CRD | 55 | 532 16 98-49 | Arm Idler 107 CRD |
| 13 | 532 13 76-45 | Shaft Asm. W/Lower Bearing | 61 | 532 19 94-87 | Spring Tension Belt |
| 14 | 532 12 87-74 | Housing Mandrel Vented (Machd) | 68 | 532 40 20-09 | Belt Drive |
| 15 | 532 11 04-85 | Bearing Ball Mandrel | 69 | 532 16 54-82 | Shaft Asm W/Lwr Brg Rh Thd CRD |
| 16 | 532 18 05-84 | Blade 3-1 Rh 107 CRD | 84 | 532 15 60-85 | Keeper Belt Idler |
| 18 | 872 11 06-06 | Bolt RdHd Sqnk 3/8-16 x 3/4 | 116 | 532 19 34-06 | Bolt Shoulder |
| 19 | 532 13 28-27 | Bolt Shoulder 5/16-18 Thd Form | 117 | 532 17 48-73 | Wheel Gage Donut Wide |
| 20 | 532 18 17-13 | Bolt 3/8-24 x 1.25 Gr.8 Ptch Lhthd | 118 | 873 90 06-00 | Nut Lock 3/8-16 UNC |
| 21 | 873 68 05-00 | Nut Crown Lock 5/16-18 | 119 | 819 13 20-12 | Washer 13/32 x 1-1/4 x 12 Ga. |
| 22 | 532 16 91-65 | Bracket Idler Sprt RR 107 CRD | 124 | 872 11 06-12 | Bolt Carr Sh 3/8-16 x 1-1/2 Gr5 |
| 23 | 532 16 91-66 | Bracket Idler Sprt RF 107 CRD | 130 | 872 11 05-06 | Bolt Rdhdsqnk 5/16-18 unc x 3/4 |
| 24 | 532 16 91-70 | Bracket Suspension LF 107 CRD | 131 | 532 16 56-61 | Chute Bagger CRD 92cm |
| 25 | 532 40 01-05 | Bracket Suspension RF 107 CRD | 161 | 532 18 04-24 | Blade Cross LH 107 |
| 26 | 532 40 01-10 | Brace Support Susp Frt CRD | 162 | 532 18 08-78 | Adapter Weldment Blade 107 |
| 27 | 532 16 91-72 | Bracket Asm. Susp RR 107 CRD | 163 | 532 18 04-25 | Blade Cross RH 107 |
| 28 | 532 16 91-68 | Bracket Asm. Susp LR 107 CRD | 164 | 532 12 49-37 | Bearing Col. Strg. |
| 30 | 532 17 39-84 | Screw Thd Rolling Hex | -- | 532 18 18-57 | Mandrel Asm Service |
| 31 | 532 18 76-90 | Washer Spacer | -- | 532 18 18-58 | Mandrel Asm CRD Lh Threads SVC |
| 32 | 532 19 81-45 | Mandrel Pulleys | -- | 532 40 13-76 | Replacement Mower Complete |
| 33 | 532 40 02-34 | Nut Flg Top Lock | | | |
| 34 | 532 40 01-03 | Bracket Gauge Wheel LF/RR | | | |
| 35 | 532 40 01-04 | Bracket Gauge Wheel RF/LR | | | |

NOTE: All component dimensions given in U.S. inches
1 inch = 25.4 mm

**TRACTOR - - MODEL NO. LT2223CMA2 (96061020100), PRODUCT NO. 960 61 02-01
BAGGER**



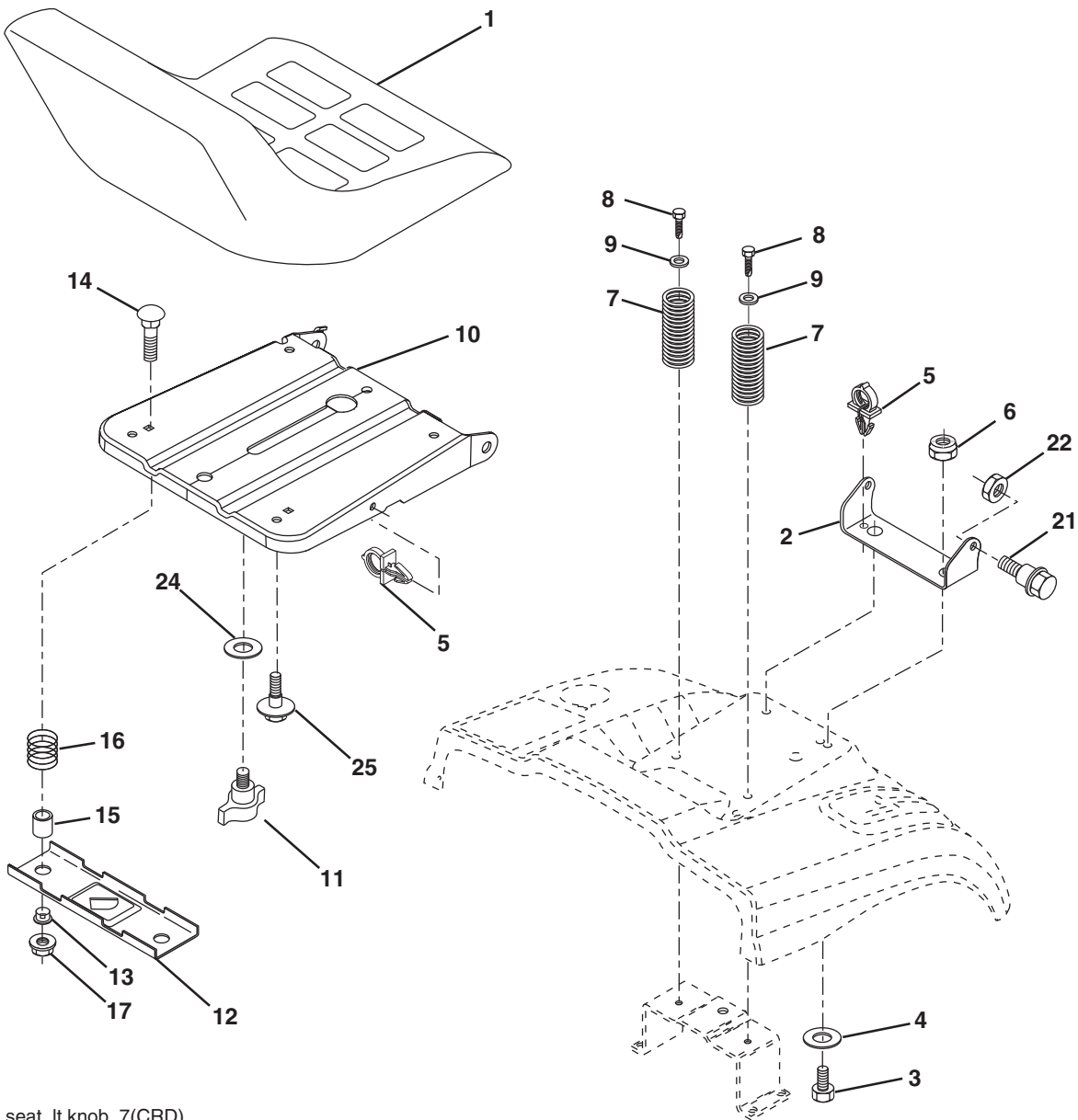
Bagger Asy (CRD)_12

**TRACTOR - - MODEL NO. LT2223CMA2 (96061020100), PRODUCT NO. 960 61 02-01
BAGGER**

| KEY NO. | PART NO. | DESCRIPTION |
|----------------|-----------------|---------------------------------------|
| 1 | 532 16 52-49 | Tube Handle Bagger CRD |
| 3 | 532 12 39-76 | Nut Lock 1/4 Lge Flg Gr. 5 Zinc |
| 4 | 532 16 99-16 | Handle Bagger w/Lvrs Blk CRD |
| 5 | 874 98 10-24 | Screw Pan Head #10-24 x 1.50 Blk |
| 6 | 874 98 10-32 | Screw Pan Hd |
| 7 | 873 40 10-00 | Nut Wiz Lock Hex Serr/Hd 10-24 |
| 8 | 532 18 13-54 | Cover Bagger |
| 9 | 872 14 04-18 | Bolt Carriage 1/4-20 x 2.25d x Gr.5 |
| 10 | 532 18 12-82 | Tube Support Bagger CRD |
| 11 | 532 16 57-19 | Bracket Support Upper Bag CRD |
| 12 | 532 18 88-48 | Bracket Lh |
| 14 | 874 52 06-36 | Bolt Fin Hex 3/8-16 x 2 x 1/4 Gr. 5 |
| 15 | 532 12 46-70 | Retainer Spring |
| 16 | 873 90 06-00 | Nut Lock Flg 3/8-16 unc |
| 17 | 872 14 05-06 | Bolt Rdhd Sht Sqnk 5/16 -18 unc x 3/4 |
| 19 | 873 90 05-00 | Nut Lock Hex Flange 5/16-18 |
| 20 | 532 18 88-47 | Bracket Horiz Adj Bagger Rh |
| 21 | 532 40 61-80 | Bag Asm CRD |
| 22 | 532 16 57-81 | Bracket Side Bagger CRD |
| 24 | 532 16 57-83 | Tube Pivot Bagger CRD |
| 25 | 532 19 37-05 | Tube Front Bagger CRD |
| 28 | 532 16 57-87 | Grip Handle Black |
| 31 | 532 16 94-84 | Retainer Clip Dia. .290 |
| 32 | 532 12 68-75 | Rivet Rd Hd Drilled 3/8 Dia |
| 33 | 532 16 93-80 | Plug Mulcher |
| 34 | 532 16 55-70 | Handle Mulcher |
| 35 | 532 16 55-72 | Pin Mulcher |
| 36 | 819 13 20-12 | Washer 13/32 x 1-1/4 x 12 Ga. |
| 37 | 532 17 54-01 | Plug Support Bagger CRD |
| 38 | 872 01 05-20 | Bolt 5/16-18 x 2-1/2 |
| 39 | 532 18 09-85 | Seal Trim |
| 41 | 532 16 96-83 | Bracket Pnt Adj Pvt Bagger CRD |
| 43 | 532 17 40-83 | Plug Tubing End |
| 44 | 532 19 33-12 | Pin Clevis 3/8" x 11/16" |
| 46 | 872 11 05-10 | Bolt Carr. 5/16-18 x 1-1/4 Gr. 5 |
| 47 | 532 19 37-04 | Tube Upper Bagger |
| 49 | 532 19 33-05 | Bar Spreader Bagger |
| 50 | 873 80 05-00 | Nut Lock Hex w/insert 5/16-18 unc |
| 51 | 532 19 99-03 | Latch Spring Bagger |
| 53 | 873 51 04-00 | Nut Keps Hex 1/4-20 unc |
| 54 | 872 14 04-06 | Bolt Rdhd Sqnk 1/4-20 x 3/4 Gr. 5 |

NOTE: All component dimensions given in U.S. inches
1 inch = 25.4 mm

**TRACTOR - - MODEL NO. LT2223CMA2 (96061020100), PRODUCT NO. 960 61 02-01
SEAT ASSEMBLY**



seat_lt.knob_7(CRD)

| KEY NO. | PART NO. | DESCRIPTION |
|---------|--------------|--------------------------------|
| 1 | 532 40 10-43 | Seat |
| 2 | 532 14 05-51 | Bracket Pivot |
| 3 | 871 11 06-16 | Bolt Fin Hex 3/8-16 x 1 |
| 4 | 819 13 16-10 | Washer flat 13/32 x 1 x 10 Ga. |
| 5 | 532 14 50-06 | Clip Push In Hinged |
| 6 | 873 80 06-00 | Nut Lock Hex 3/8-16 unc |
| 7 | 532 12 41-81 | Spring Seat Cprsn 2 250 Blk Zi |
| 8 | 817 00 06-16 | Screw 3/8-16 x 1-1/2 |
| 9 | 819 13 16-14 | Washer 13/32 x 1 x 14 Ga |
| 10 | 532 19 55-30 | Pan Seat |
| 11 | 532 16 63-69 | Knob Seat Adj. Wingnut |
| 12 | 532 17 46-48 | Bracket Pnt Mounting Switch |

| KEY NO. | PART NO. | DESCRIPTION |
|---------|--------------|---------------------------------|
| 13 | 532 12 12-48 | Bushing Snap Blk Nyl 50 Id |
| 14 | 872 05 04-12 | Bolt Rdhd Sht Nk 1/4-20 x 1-1/2 |
| 15 | 532 12 12-49 | Spacer Split 28 x 88 Zinc |
| 16 | 532 12 37-40 | Spring Cprsn |
| 17 | 532 12 39-76 | Nut Lock 1/4 Lge Flg Gr 5 Zinc |
| 21 | 532 17 18-52 | Bolt Shoulder 5/16-18 unc-2A |
| 22 | 873 80 05-00 | Nut Hex Lock w/Ins 5/16-18 |
| 24 | 819 17 19-12 | Washer 17/32 x 1-3/16 x 12 Ga. |
| 25 | 532 12 70-18 | Bolt Shoulder 5/16-18 x .62 |

NOTE: All component dimensions given in U.S. inches.
1 inch = 25.4 mm