

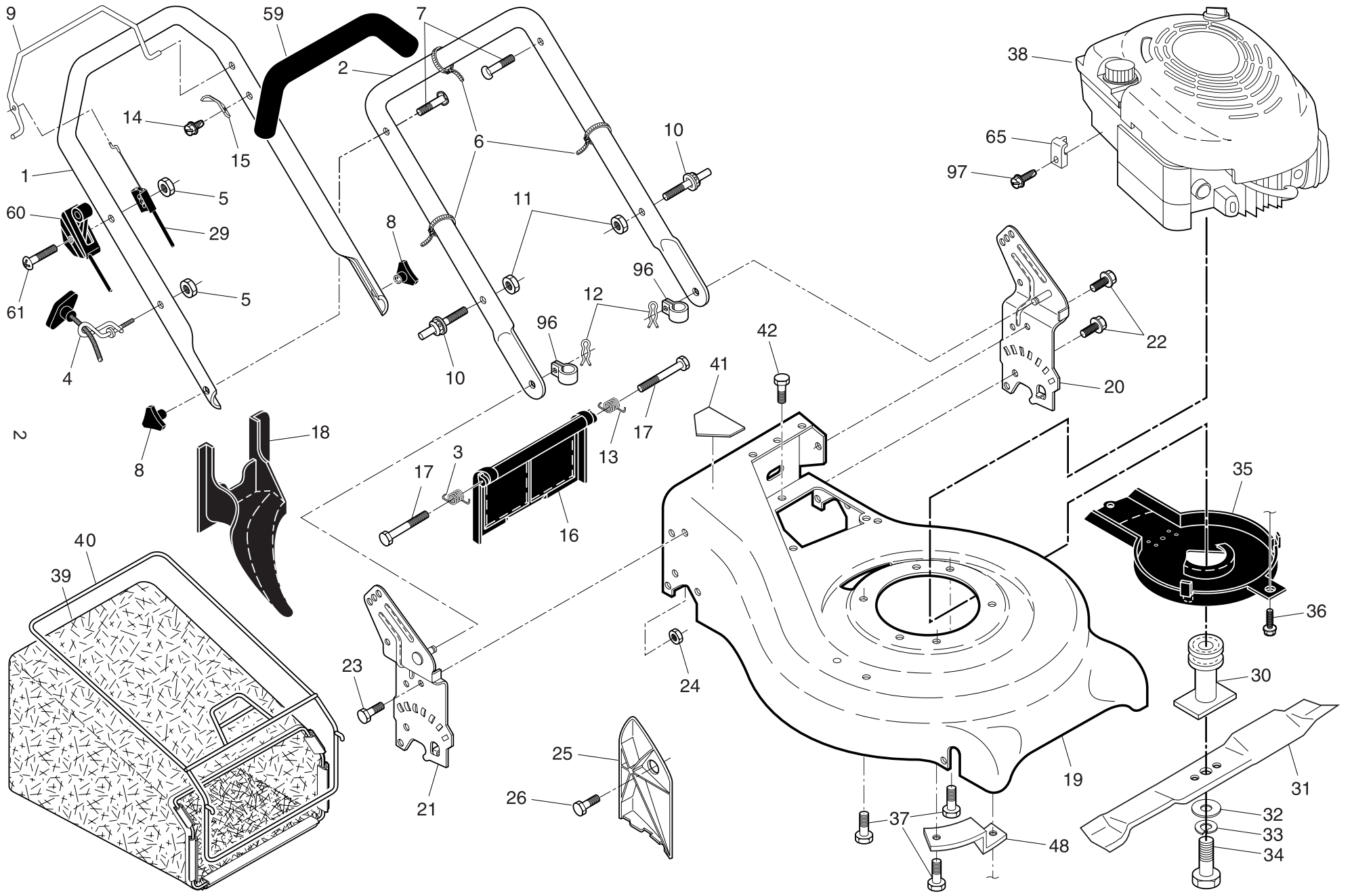
ILLUSTRATED PARTS LIST

MODEL NUMBER LM2153CMD

PRODUCT NUMBER 961 41 01-01

MFG. ID. NUMBER 96141010102

ROTARY LAWN MOWER - - MODEL NUMBER LM2153CMD (96141010102) PRODUCT NUMBER 961 41 01-01



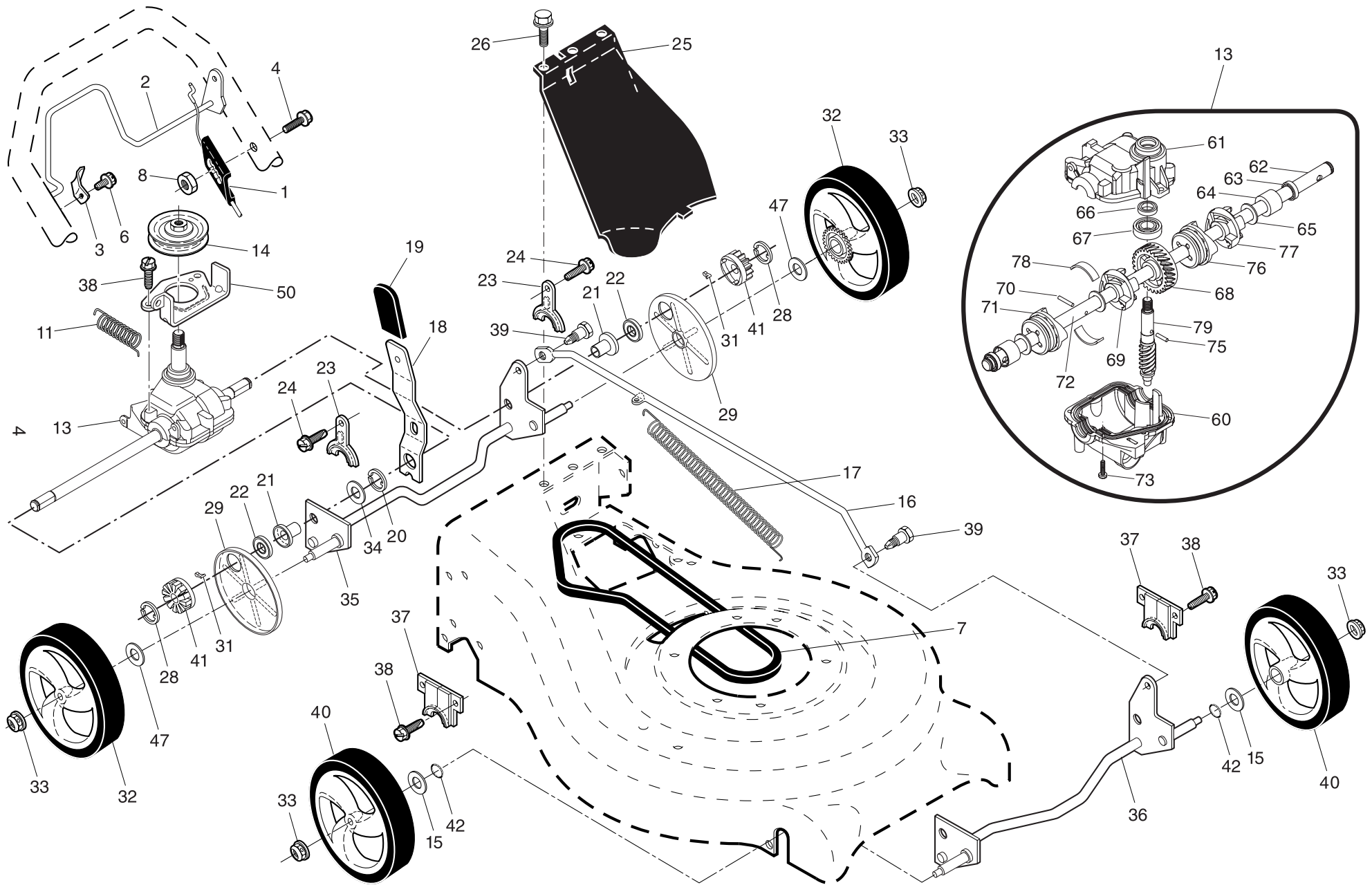
ROTARY LAWN MOWER - - MODEL NUMBER LM2153CMD (96141010102) PRODUCT NUMBER 961 41 01-01

KEY NO.	PART NO.	DESCRIPTION	KEY NO.	PART NO.	DESCRIPTION
1	532 16 71-63	Handle, Upper (Includes Foam Grip)	29	532 13 31-07	Cable, Operator Presence
2	532 19 60-05	Handle, Lower	30	532 18 91-79	Blade Adapter / Pulley
3	532 40 54-16	Spring, Rear Door, RH	31	532 19 93-77	Blade, 21"
4	532 19 47-88	Guide, Rope, Side	32	532 85 10-74	Washer, Hardened
5	532 13 20-04	Nut, Hex, with Lockwasher Insert 1/4-20	33	532 85 02-63	Lockwasher, Helical Spring 3/8
6	532 06 64-26	Wire, Tie	34	532 85 10-84	Screw, Hex Head 3/8-24 x 1.38
7	532 19 15-74	Bolt, Handle 5/16-18 x 1.75	35	532 40 58-43	Shield, Debris
8	532 08 76-92	Knob, Handle	36	532 19 23-25	Screw
9	532 41 88-67	Bail, Control, Wire, Deluxe Comfort, Black	37	532 15 04-06	Bolt, Engine
10	532 18 88-21	Bolt, Carriage	38	- - -	Engine, Briggs & Stratton, Model No. 122T02 (Order parts from engine manufacturer)
11	532 75 11-53	Nut, Hex, with Lockwasher Insert 5/16-18 UNC	39	532 41 06-84	Bag, Grass Catcher
12	532 05 17-93	Cotter, Hairpin	40	532 41 19-51	Frame, Grass Bag
13	532 40 54-15	Spring, Rear Door, LH	41	532 18 21-66	Decal Danger
14	532 75 06-34	Screw, Tapping, Hex Washer Head #10-24	42	532 05 45-83	Screw, Self Tapping
15	532 12 51-62	Bracket, Upstop	48	532 19 09-39	Mounting Bracket, Debris Shield
16	532 40 88-88	Rear Door Assembly	59	532 16 42-65	Grip, Foam
17	532 18 41-93	Bolt, Rear Door	60	532 18 21-54	Throttle Control
18	532 19 81-70	Plug, Mulcher	61	532 18 33-65	Screw
19	532 40 80-84	Kit, Lawn Mower Housing Assembly	65	532 11 11-90	Clamp, Cable
20	532 19 40-29	Handle Bracket Assembly, LH	96	532 19 79-91	Clip, Cable
21	532 19 40-31	Handle Bracket Assembly, RH	97	532 08 38-16	Screw
22	532 15 00-78	Screw, Hex Washer Head	- -	532 18 21-34	Warning Decal (not shown)
23	532 16 31-83	Bolt, Hex Head 5/16-18 x 5/8	- -	532 40 23-51	Operator's Manual, European
24	873 80 05-00	Nut, Hex, with Lockwasher Insert 5/16-18	- -	532 40 23-52	Operator's Manual, Scandinavian
25	532 16 13-33	Baffle, Side	- -	532 41 34-11	Operator's Manual, Baltic
26	532 16 34-09	Screw #12 x 5/8			

NOTE: All component dimensions given in U.S. inches. 1 inch = 25.4 mm

IMPORTANT: Use only Original Equipment Manufacturer (O.E.M.) replacement parts. Failure to do so could be hazardous, damage your lawn mower and void your warranty.

ROTARY LAWN MOWER - - MODEL NUMBER LM2153CMD (96141010102) PRODUCT NUMBER 961 41 01-01



ROTARY LAWN MOWER - - MODEL NUMBER LM2153CMD (96141010102) PRODUCT NUMBER 961 41 01-01

KEY NO.	PART NO.	DESCRIPTION	KEY NO.	PART NO.	DESCRIPTION
1	532 40 98-95	Cable, Drive	35	532 41 09-22	Shaft Assembly, Rear
2	532 41 78-19	Bail, Control, Drive	36	532 41 09-33	Shaft Assembly, Front
3	532 16 45-57	Bracket, Downstop	37	532 16 14-63	Retainer, Front Shaft
4	532 19 96-87	Screw	38	532 16 34-09	Screw, Hi-Lo Thread #12 x 5/8
6	532 75 06-34	Screw, Tapping, Hex Washer Head #10-24	39	532 40 70-59	Bolt, Shoulder, Semi-Gimlett Point
7	532 40 65-57	V-Belt	40	532 40 25-66	Wheel & Tire Assembly, Front
8	532 19 17-30	Nut, Hex	41	532 40 48-35	Gear, Pinion
11	532 40 65-58	Spring, Return	42	532 19 74-80	O-Ring
13	532 40 48-39	Gearcase Assembly, Complete	50	532 41 37-22	Belt Keeper
14	532 40 57-03	Pulley, Driven	47	532 06 77-25	Washer, Flat
15	532 08 83-48	Washer, Flat 3/8	60	532 41 27-47	Case, Lower
16	532 40 71-47	Rod, Connecting	61	532 41 27-36	Case, Upper
17	532 40 96-16	Spring, Extension	62	532 41 27-57	Shaft, Output, Long
18	532 41 88-66	Spring, Selector	63	532 18 35-08	Seal, Output Shaft
19	532 19 00-69	Knob, Selector Spring	64	532 18 35-11	Bushing
20	812 00 00-22	E-Ring 7/8	65	532 18 35-09	Washer
21	532 41 24-50	Bearing Support	66	532 18 35-14	Seal, Worm Shaft
22	532 19 10-39	Bearing, Ball	67	532 18 35-06	Bearing, Ball
23	532 16 45-55	Retainer, Drive Assembly	68	532 41 27-42	Gear, 28 Teeth
24	532 05 78-08	Screw, Tapping, Hex Head 1/4-20 x .75	69	532 41 27-40	Movable Dog Clutch, LH
25	532 40 28-07	Cover, Drive	70	532 41 27-41	Pin, Output Shaft
26	532 75 06-34	Screw, Tapping, Hex Washer Head #10-24	71	532 41 27-39	Fixed Dog Clutch, LH
28	812 00 00-58	E-Ring 7/16	72	532 41 27-56	Shaft, Output, Short
29	532 18 94-03	Cover, Dust, Wheel	73	532 18 35-13	Screw, Case
31	532 40 48-45	Drive Pawl	75	532 41 27-46	Pin, Worm Shaft
32	532 41 35-70	Wheel & Tire Assembly, Rear, Driven	76	532 41 27-43	Movable Dog Clutch, RH
33	532 40 91-48	Nut, Hex, Flangelock	77	532 41 27-44	Fixed Dog Clutch, RH
34	532 85 12-26	Washer	78	532 41 07-31	Spring, Leaf
			79	532 41 27-37	Shaft, Worm

5

NOTE: All component dimensions given in U.S. inches. 1 inch = 25.4 mm

IMPORTANT: Use only Original Equipment Manufacturer (O.E.M.) replacement parts. Failure to do so could be hazardous, damage your lawn mower and void your warranty.