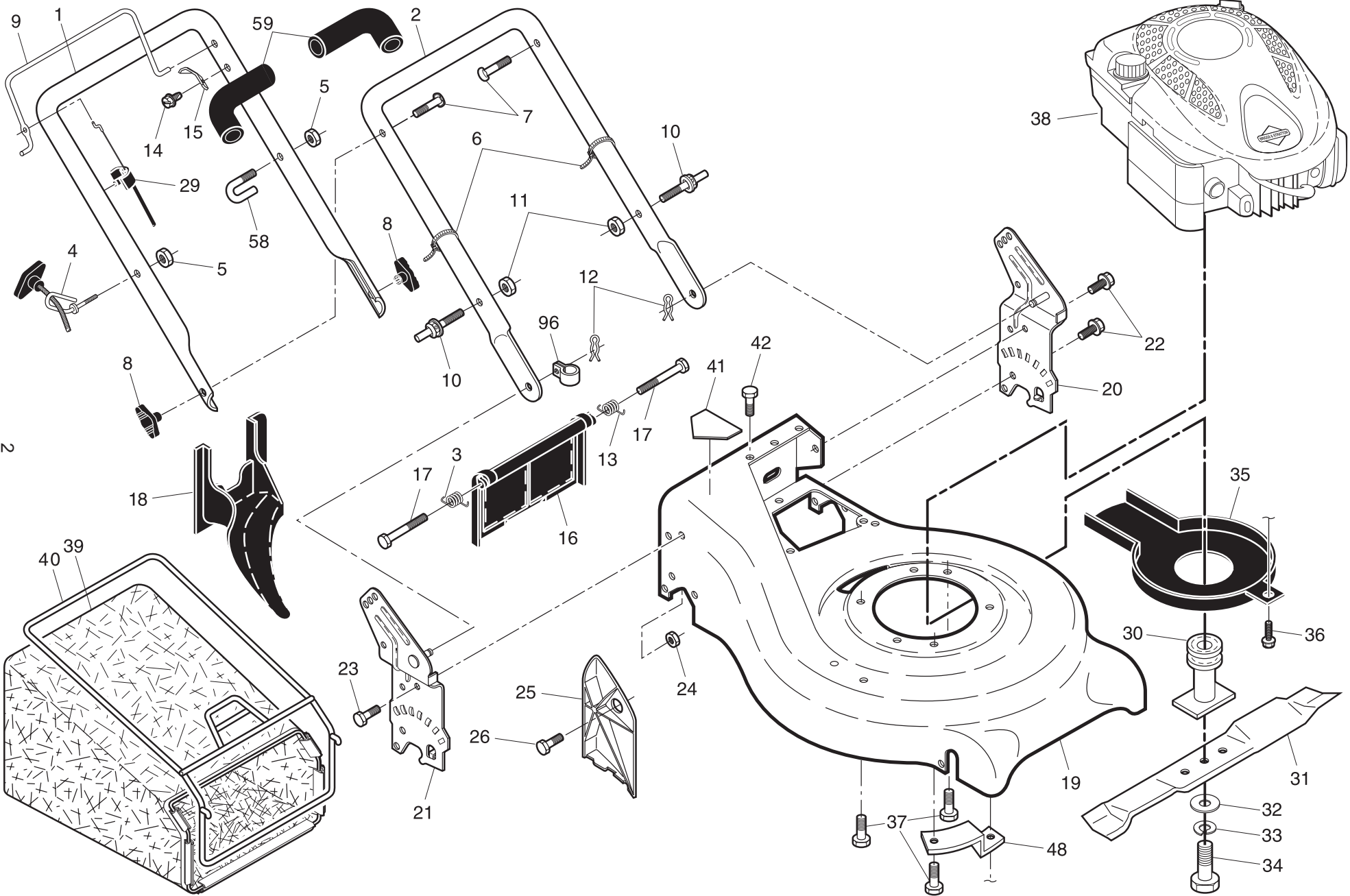


LM2153 CMDA

Spare parts
Ersatzteile
Pièces détachées
Reserve onderdelen
Repuestos
Reservdelar

ROTARY LAWN MOWER - - CUSTOMER MODEL NO. LM2153CMDA (96141006603) PRODUCT NO. 961 41 00-66



ROTARY LAWN MOWER - - CUSTOMER MODEL NO. LM2153CMDA (96141006603) PRODUCT NO. 961 41 00-66

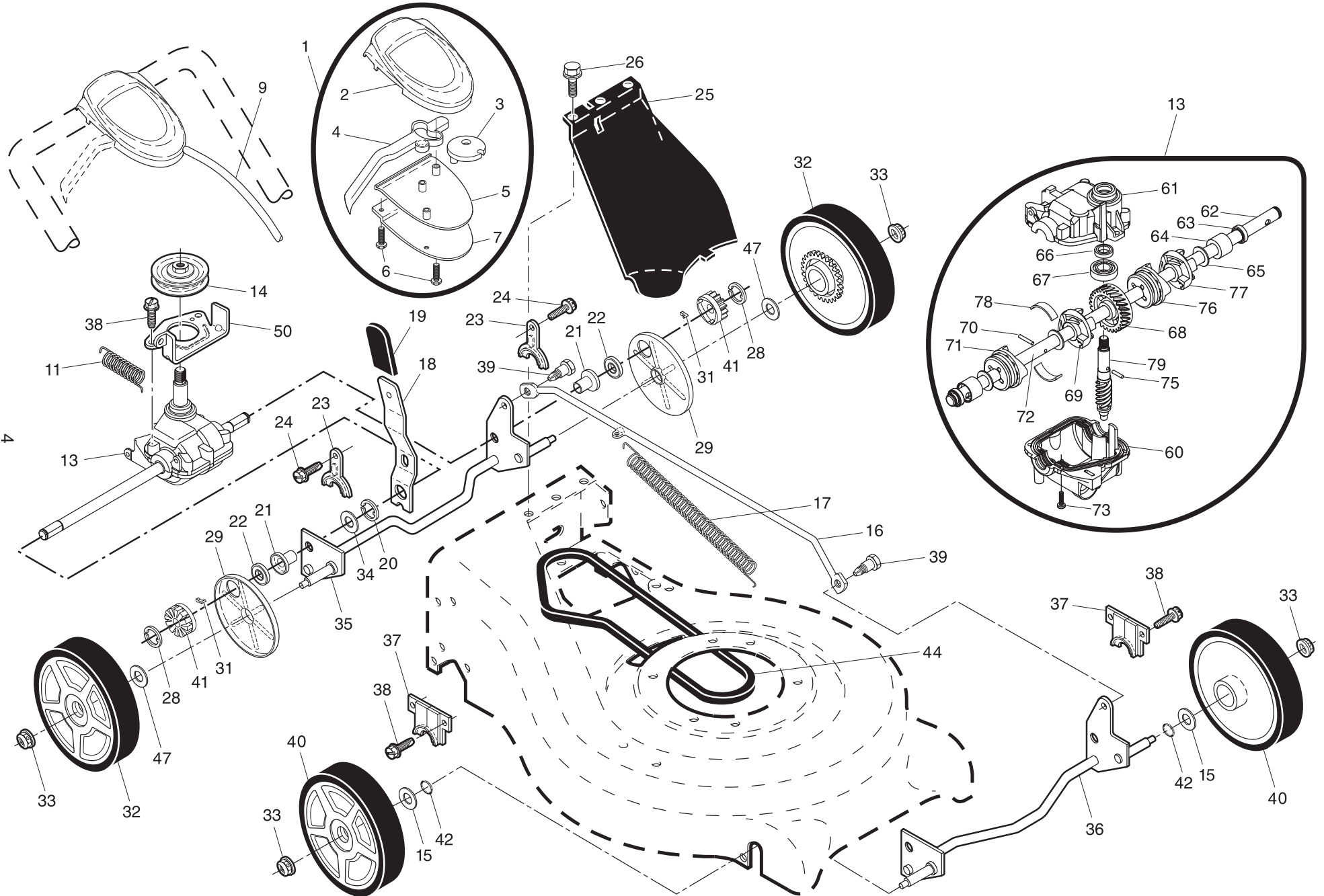
KEY NO.	PART NO.	DESCRIPTION
1	532 40 25-51	Handle, Upper
2	532 19 60-05	Handle, Lower
3	532 40 54-16	Spring, Rear Door, RH
4	532 19 47-88	Guide, Rope, Side
5	532 13 20-04	Nut, Hex, with Lockwasher Insert 1/4-20
6	532 06 64-26	Wire, Tie
7	532 19 15-74	Bolt, Handle 5/16-18 x 2-5/8
8	532 19 19-38	Knob, Handle
9	532 41 71-59	Control Bar
10	532 18 88-21	Bolt, Carriage
11	532 75 11-53	Nut, Hex, with Lockwasher Insert 5/16-18 UNC
12	532 05 17-93	Cotter, Hairpin
13	532 40 54-15	Spring, Rear Door, LH
14	532 75 06-34	Screw
15	532 12 51-62	Bracket, Upstop
16	532 40 88-88	Rear Door Assembly
17	532 18 41-93	Bolt, Rear Door
18	532 19 81-70	Plug, Mulcher
19	532 40 80-84	Kit, Housing
20	532 19 40-29	Handle Bracket Assembly, LH
21	532 19 40-31	Handle Bracket Assembly, RH
22	532 15 00-78	Screw, Hex Washer Head
23	532 16 31-83	Bolt, Hex Head 5/16-18 x 5/8
24	873 80 05-00	Nut, Hex, with Lockwasher Insert 5/16-18
25	532 16 13-33	Baffle, Side
26	532 16 34-09	Screw #12 x 5/8

KEY NO.	PART NO.	DESCRIPTION
29	532 19 12-21	Cable, Engine Zone Control
30	532 18 91-79	Blade Adapter / Pulley
31	532 19 93-77	Blade, 21"
32	532 85 10-74	Washer
33	532 85 02-63	Washer, Lock
34	532 85 10-84	Bolt, Hex Head
35	532 40 58-43	Debris Shield
36	532 19 23-25	Bolt
37	532 15 04-06	Bolt, Engine
38	- - -	Engine, Briggs & Stratton, Model Number 124T02-0999-B1 (Order parts from Engine manufacturer)
39	532 41 06-84	Grassbag
40	532 41 19-51	Frame, Grassbag
41	532 18 21-66	Danger Decal
42	532 05 45-83	Screw
48	532 19 09-39	Mounting Bracket, Debris Shield
58	532 18 20-03	Clip, Packaging
59	532 18 27-48	Grip, Foam
96	532 19 79-91	Cable Clip
--	532 18 21-34	Warning Decal (not shown)
--	532 41 13-35	Operator's Manual, European
--	532 41 13-36	Operator's Manual, Scandinavian
--	532 41 13-37	Operator's Manual, East Bloc
--	532 41 13-38	Operator's Manual, Baltic

NOTE: All component dimensions given in U.S. inches. 1 inch = 25.4 mm

IMPORTANT: Use only Original Equipment Manufacturer (O.E.M.) replacement parts. Failure to do so could be hazardous, damage your lawn mower and void your warranty.

ROTARY LAWN MOWER - - CUSTOMER MODEL NO. LM2153CMDA (96141006603) PRODUCT NO. 961 41 00-66



ROTARY LAWN MOWER - - CUSTOMER MODEL NO. LM2153CMDA (96141006603) PRODUCT NO. 961 41 00-66

KEY NO.	PART NO.	DESCRIPTION	KEY NO.	PART NO.	DESCRIPTION
1	532 40 62-54	Drive Control Assembly	36	532 41 09-33	Shaft Assembly, Front
2	532 41 35-42	Upper Cover	37	532 16 14-63	Retainer, Front Shaft
3	532 40 62-62	Pulley	38	532 16 34-09	Screw, Hi-Lo Thread #12 x 5/8
4	532 18 82-81	Lever Drive Control	39	532 40 70-59	Bolt
5	532 41 35-41	Cover, Lower	40	532 19 80-11	Wheel & Tire Assembly, Front 8 x 2
6	532 18 16-98	Screw, Tapping, Hex Washer Head #10-24	41	532 40 48-35	Pinion
7	532 40 07-23	Mounting Bracket, Drive	42	532 19 74-80	O-Ring
9	532 40 62-58	Cable, Drive Control	44	532 40 65-80	V-Belt
11	532 40 65-58	Spring, Return	47	532 06 77-25	Washer 1/2 x 1-1/2 x .134
13	532 40 48-39	Gear Case Assembly, Complete	50	532 41 31-04	Belt Keeper
14	532 19 34-43	Pulley, Drive	60	532 41 27-47	Case, Upper
15	532 08 83-48	Washer, Flat 3/8	61	532 41 27-36	Case, Upper
16	532 40 71-47	Rod, Connecting	62	532 41 27-57	Shaft, Output Long
17	532 40 96-16	Spring, Extension	63	532 18 35-08	Seal, Output Shaft
18	532 19 61-62	Spring, Selector	64	532 18 35-11	Bushing
19	532 19 00-69	Knob, Selector Spring	65	532 18 35-09	Washer
20	812 00 00-22	E-Ring 7/8	66	532 18 35-14	Seal, Worm Shaft
21	532 41 24-50	Bearing, Support	67	532 18 35-06	Bearing, Ball
22	532 19 10-39	Bearing, Ball	68	532 41 27-42	Gear, 28 Teeth
23	532 16 45-55	Retainer, Drive Assembly, Stamped	69	532 41 27-39	Fixed Dog Clutch, LH
24	532 05 78-08	Screw, Tapping, Hex Head 1/4-20 x 3/4	70	532 41 27-41	Pin, Output Shaft
25	532 40 28-07	Cover Drive	71	532 41 27-40	Movable Dog Clutch, LH
26	532 75 06-34	Screw, Threaded, Rolled #10-25 x 1/2	72	532 41 27-56	Shaft, Output, Short
28	812 00 00-58	E-Ring 7/16	73	532 18 35-13	Screw, Case
29	532 18 94-03	Cover, Dust, Wheel	75	532 41 27-46	Pin, Worm Shaft
31	532 40 48-45	Pawl, Drive	76	532 41 27-44	Fixed Dog Clutch, RH
32	532 41 31-43	Wheel & Tire Assembly, Rear	77	532 41 27-43	Movable Dog Clutch, RH
33	532 40 91-48	Nut, Hex, Flangelock 3/8-16	78	532 41 07-31	Spring, Leaf
34	532 85 12-26	Washer	79	532 41 27-37	Shaft, Worm
35	532 41 09-22	Shaft Assembly, Rear			

NOTE: All component dimensions given in U.S. inches. 1 inch = 25.4 mm

IMPORTANT: Use only Original Equipment Manufacturer (O.E.M.) replacement parts. Failure to do so could be hazardous, damage your lawn mower and void your warranty.