

# LM2155 MD

**Spare parts**

**Ersatzteile**

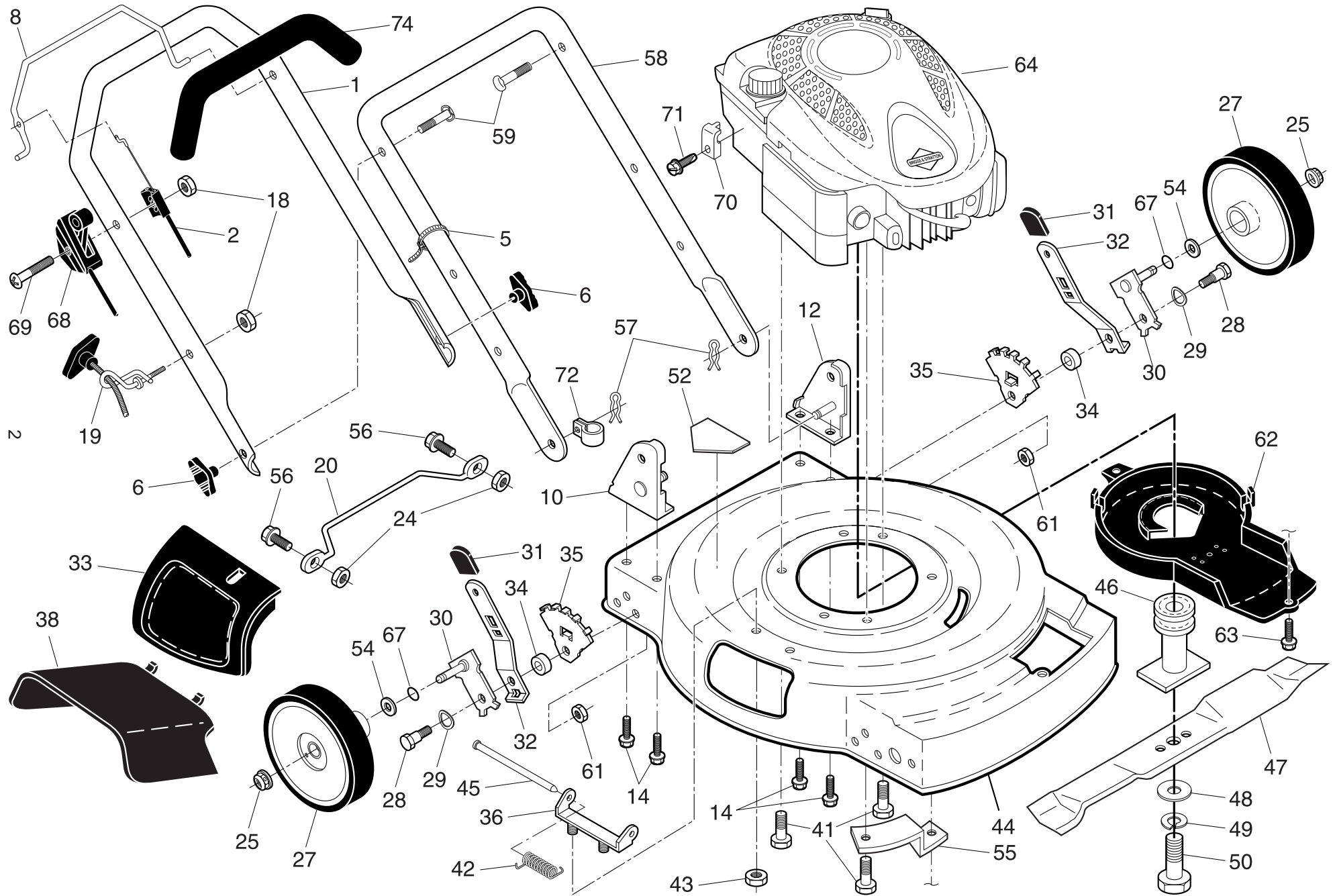
**Pièces détachées**

**Reserve onderdelen**

**Repuestos**

**Reservdelar**

# ROTARY LAWN MOWER -- MODEL NUMBER LM2155MD (96121000804) PRODUCT NUMBER 961 21 00-08



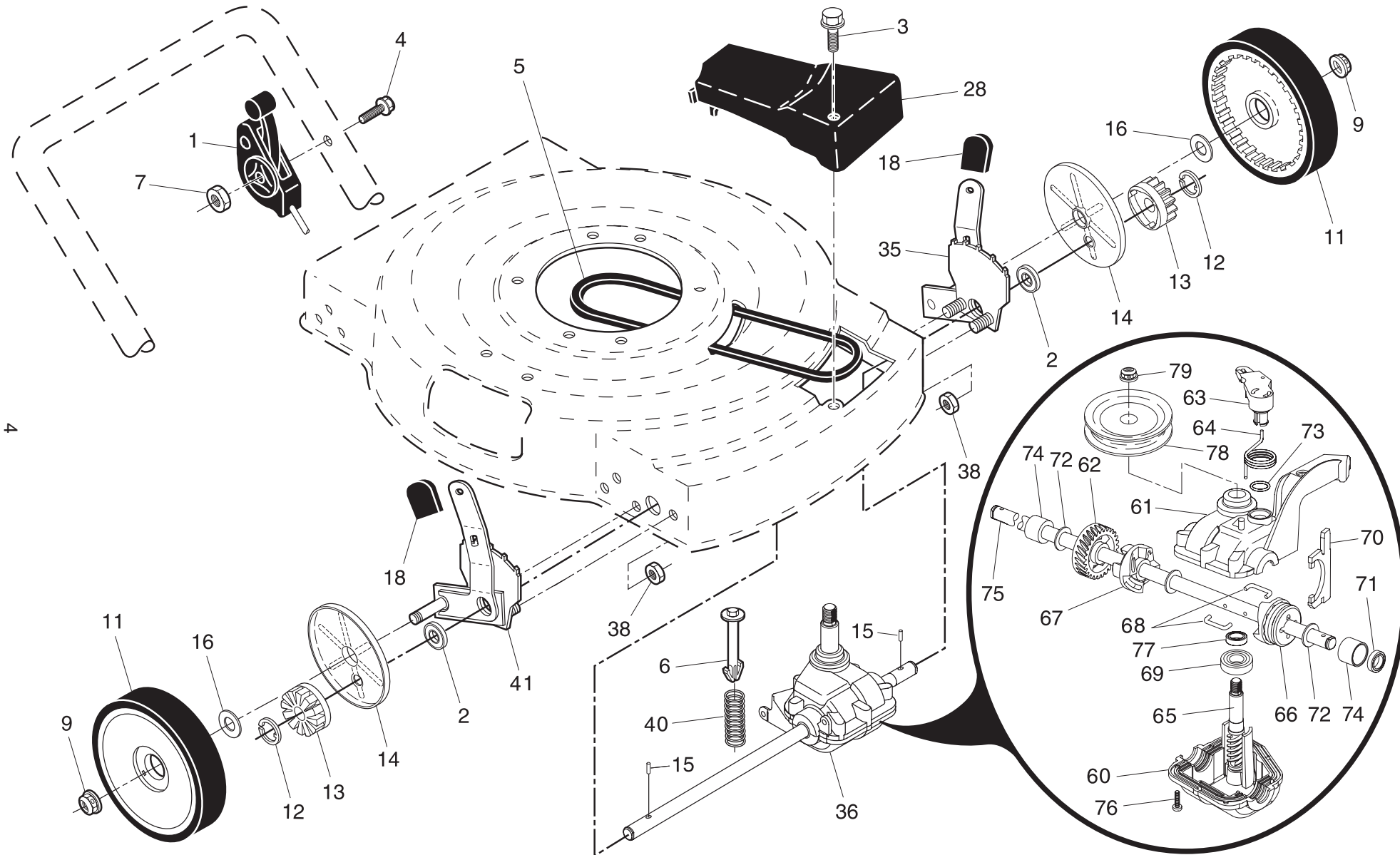
# ROTARY LAWN MOWER - - MODEL NUMBER LM2155MD (96121000804) PRODUCT NUMBER 961 21 00-08

| KEY NO. | PART NO.            | DESCRIPTION                              |
|---------|---------------------|--|
| 1       | 532 16 71-63        | Upper Handle, with Grip                  |
| 2       | 532 14 92-93        | Cable, Engine Zone Control               |
| 5       | 532 06 64-26        | Wire Tie                                 |
| 6       | 532 19 19-38        | Handle Knob                              |
| 8       | 532 19 05-17        | Control Bar                              |
| 10      | 532 17 09-75        | Handle Bracket Assembly, RH              |
| 12      | 532 17 09-77        | Handle Bracket Assembly, LH              |
| 14      | 532 14 97-41        | Self-Tapping Screw 5/16-18 x 3/4         |
| 18      | 532 13 20-04        | Nut, Hex                                 |
| 19      | 532 19 47-88        | Rope Guide                               |
| 20      | 532 15 41-47        | Footguard                                |
| 24      | 532 06 91-80        | Nut, Hex                                 |
| 25      | 532 40 91-48        | Locknut 3/8-16                           |
| 27      | <b>532 41 13-24</b> | Wheel & Tire Assembly, Rear 8 x 1.75     |
| 28      | 532 14 27-48        | Shoulder Bolt 3/8-16                     |
| 29      | 532 40 16-30        | Washer, Curved, Cylindrical              |
| 30      | 532 40 78-71        | Axle Arm Assembly                        |
| 31      | 532 13 28-00        | Selector Knob                            |
| 32      | 532 41 05-95        | Selector Spring                          |
| 33      | 532 15 18-89        | Mulcher Door                             |
| 34      | 532 40 16-29        | Spacer                                   |
| 35      | 532 41 08-07        | Wheel Adjusting Bracket                  |
| 36      | 532 15 41-32        | Housing Bracket Assembly                 |
| 38      | 532 17 65-09        | Discharge Guard                          |
| 41      | 532 15 04-06        | Hex Head Thread Rolling Screw 3/8-16 x 1 |
| 42      | 532 15 21-24        | Torsion Spring                           |
| 43      | 873 80 04-00        | Locknut, Hex 1/4-20                      |
| 44      | 532 40 07-36        | Kit, Lawn Mower Housing                  |
| 45      | 532 14 72-86        | Hinge Rod                                |

| KEY NO. | PART NO.     | DESCRIPTION   |
|---------|--------------|---|
| 46      | 532 18 91-79 | Blade Adapter / Pulley  |
| 47      | 532 19 93-79 | 22" Blade   |
| 48      | 532 85 10-74 | Hardened Washer   |
| 49      | 532 85 02-63 | Washer, Lock Helical 3/8  |
| 50      | 532 85 10-84 | Hex Head Screw 3/8-24 x 1-3/8 Grade 8   |
| 52      | 532 18 21-66 | Danger Decal  |
| 54      | 532 08 83-48 | Washer, Flat  |
| 55      | 532 19 09-39 | Mounting Bracket, Debris Shield   |
| 56      | 532 08 58-25 | Screw   |
| 57      | 532 05 17-93 | Hairpin Cotter  |
| 58      | 532 15 50-44 | Lower Handle  |
| 59      | 532 19 15-74 | Handle Bolt 5/16-18 x 1-3/4   |
| 61      | 532 75 15-92 | Locknut, Hex 3/8-16   |
| 62      | 532 40 58-43 | Debris Shield   |
| 63      | 532 19 23-25 | Screw, Hex Washer Head  |
| 64      | - - -        | Engine - Briggs & Stratton Model No. 124T02<br>(Order parts from engine manufacturer) |
| 67      | 532 19 74-80 | O-Ring  |
| 68      | 532 70 04-17 | Throttle Control  |
| 69      | 532 18 33-65 | Screw   |
| 70      | 532 11 11-90 | Cable Clamp   |
| 71      | 532 08 38-16 | Thread Rolling Screw #10-32 x 5/8   |
| 72      | 532 19 79-91 | Clip, Cable   |
| 74      | 532 16 42-65 | Handle Grip   |
| --      | 532 18 21-34 | Warning Decal (not shown)   |
| --      | 532 19 41-64 | Operator's Manual, European   |
| --      | 532 19 41-65 | Operator's Manual, Scandinavian   |
| --      | 532 19 95-46 | Operator's Manual, East Bloc  |
| --      | 532 19 95-44 | Operator's Manual, Baltic   |

**NOTE:** All component dimensions given in U.S. inches. 1 inch = 25.4 mm. **IMPORTANT:** Use only Original Equipment Manufacturer (O.E.M.) replacement parts. Failure to do so could be hazardous, damage your lawn mower and void your warranty.

ROTARY LAWN MOWER -- MODEL NUMBER LM2155MD (96121000804) PRODUCT NUMBER 961 21 00-08



# ROTARY LAWN MOWER - - MODEL NUMBER LM2155MD (96121000804) PRODUCT NUMBER 961 21 00-08

| KEY NO. | PART NO.            | DESCRIPTION  |
|---------|---------------------|--|
| 1       | 532 18 45-88        | Drive Control  |
| 2       | <b>532 40 48-31</b> | Bearing, Wheel Adjuster                                    |
| 3       | 532 14 36-03        | Pan Head Tapping Screw #10-24 x 2-3/4                      |
| 4       | 532 15 87-55        | Hex Washer Head Screw 1/4-20 x 2-1/8                       |
| 5       | 532 14 65-27        | V-Belt   |
| 6       | 532 15 04-95        | Spring Retainer  |
| 7       | 532 19 17-30        | Locknut  |
| 9       | 532 40 91-48        | Nut, Hex, Flangelock                                       |
| 11      | 532 40 25-67        | Wheel & Tire Assembly 8.00 x 1.75                          |
| 12      | 812 00 00-58        | E-Ring   |
| 13      | 532 40 38-49        | Pinion   |
| 14      | 532 18 94-03        | Dust Cover   |
| 15      | <b>532 40 48-45</b> | Pawl, Drive  |
| 16      | 532 06 77-25        | Washer   |
| 18      | 532 13 28-00        | Selector Knob  |
| 28      | 532 19 58-11        | Drive Cover  |
| 35      | <b>532 40 88-62</b> | Wheel Adjuster Assembly, LH<br>(Includes Knob and Bearing) |
| 36      | <b>532 41 52-26</b> | * Gear Case Assembly, Complete                             |
| 38      | 873 80 04-00        | Locknut, Hex   |
| 40      | 532 13 70-90        | Spring   |
| 41      | <b>532 40 88-61</b> | Wheel Adjuster Assembly, RH<br>(Includes Knob and Bearing) |

| KEY NO. | PART NO.            | DESCRIPTION        |
|---------|---------------------|--------------------|
| 60      | 532 18 34-97        | Case, Lower        |
| 61      | 532 18 34-98        | Case, Upper        |
| 62      | 532 18 34-99        | Gear, 27 Teeth     |
| 63      | 532 18 35-00        | Lever, Clutch      |
| 64      | 532 18 35-01        | Spring, Return     |
| 65      | <b>532 41 69-88</b> | Shaft, Input       |
| 66      | 532 18 35-03        | Dog, Movable       |
| 67      | 532 18 35-04        | Dog, Fixed         |
| 68      | 532 18 35-05        | Wire, Formed       |
| 69      | 532 18 35-06        | Bearing, Ball      |
| 70      | 532 18 35-07        | Fork, Shift        |
| 71      | 532 18 35-08        | Seal, Output Shaft |
| 72      | 532 18 35-09        | Washer             |
| 73      | 532 18 35-10        | Seal, Case         |
| 74      | 532 18 35-11        | Bushing            |
| 75      | 532 19 65-61        | Shaft, Output      |
| 76      | 532 18 35-13        | Screw              |
| 77      | 532 18 35-14        | Seal, Input Shaft  |
| 78      | <b>532 41 69-87</b> | Pulley, Drive      |
| 79      | <b>532 41 69-86</b> | Nut                |

\* We advise Total Multis EP00 semi-liquid grease or a comparable grade (quantity 1.15 oz)

**NOTE:** All component dimensions given in U.S. inches. 1 inch = 25.4 mm. **IMPORTANT:** Use only Original Equipment Manufacturer (O.E.M.) replacement parts. Failure to do so could be hazardous, damage your lawn mower and void your warranty.